



US00D787578S

(12) **United States Design Patent** (10) **Patent No.:** **US D787,578 S**
Watanobe et al. (45) **Date of Patent:** **** May 23, 2017**

(54) **THROW-AWAY TIP FOR METAL CUTTING TOOL**

(71) Applicant: **Sumitomo Electric Hardmetal Corp.,**
Itami-shi (JP)

(72) Inventors: **Naoki Watanobe,** Itami (JP); **Katsumi Okamura,** Itami (JP); **Yosuke Korogi,** Kishima-gun (JP); **Hiroki Yonekura,** Itami (JP)

(73) Assignee: **Sumitomo Electric Hardmetal Corp.,**
Itami-shi (JP)

(**) Term: **14 Years**

(21) Appl. No.: **29/496,943**

(22) Filed: **Jul. 18, 2014**

(30) **Foreign Application Priority Data**

Jan. 22, 2014	(JP)	2014-001087
Jan. 22, 2014	(JP)	2014-001088
Jan. 22, 2014	(JP)	2014-001089

(51) **LOC (10) Cl.** **15-09**

(52) **U.S. Cl.**
USPC **D15/139**

(58) **Field of Classification Search**
USPC D8/16–20, 70, 90, 98; D15/124–140
See application file for complete search history.

(56) **References Cited**

U.S. PATENT DOCUMENTS

4,507,023	A *	3/1985	Shikata	B23B 27/1614
					407/103
5,178,645	A *	1/1993	Nakamura	B23B 27/145
					407/119

(Continued)

Primary Examiner — Patricia Palasik

(74) *Attorney, Agent, or Firm* — Venable LLP; Michael A. Sartori; F. Brock Riggs

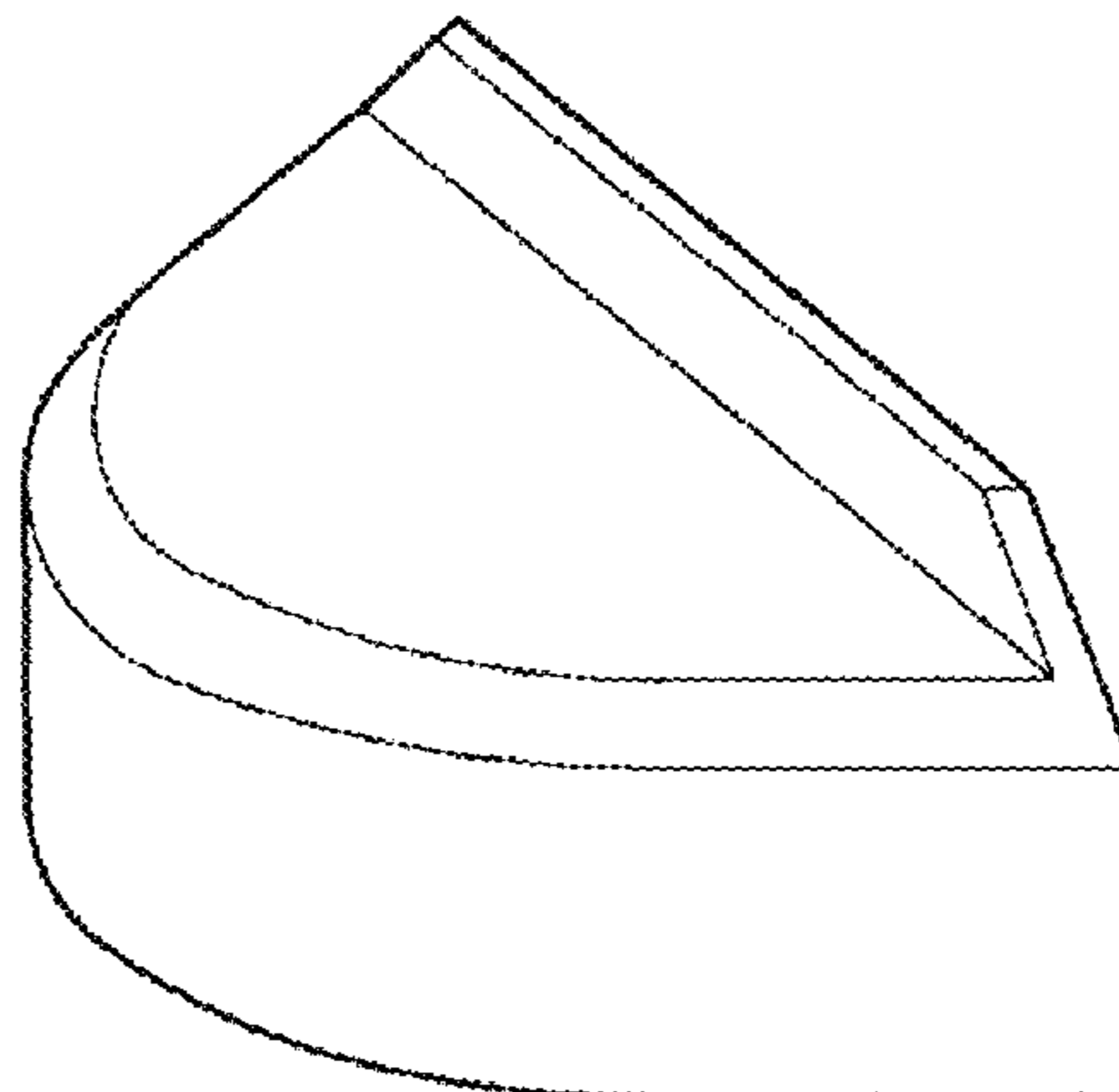
(57) **CLAIM**

The ornamental design for a throw-away tip for metal cutting tool, as shown and described.

DESCRIPTION

FIG. 1 is a perspective view of a first illustrative embodiment of the throw-away tip for metal cutting tool;
 FIG. 2 is a top plan view of the first illustrative embodiment;
 FIG. 3 is a front view of the first illustrative embodiment;
 FIG. 4 is a rear view of the first illustrative embodiment;
 FIG. 5 is a bottom plan view of the first illustrative embodiment;
 FIG. 6 is a left-hand side view of the first illustrative embodiment;
 FIG. 7 is a right-hand side view of the first illustrative embodiment;
 FIG. 8 is an enlarged perspective view of the first illustrative embodiment;
 FIG. 9 is an enlarged top plan view of the first illustrative embodiment;
 FIG. 10 is an enlarged front view of the first illustrative embodiment; and
 FIG. 11 is a perspective view of a second illustrative embodiment of the throw-away tip for metal cutting tool;
 FIG. 12 is a top plan view of the second illustrative embodiment;
 FIG. 13 is a front view of the second illustrative embodiment;
 FIG. 14 is a rear view of the second illustrative embodiment;
 FIG. 15 is a bottom plan view of the second illustrative embodiment;
 FIG. 16 is a left-hand side view of the second illustrative embodiment;
 FIG. 17 is a right-hand side view of the second illustrative embodiment;
 FIG. 18 is an enlarged perspective view of the second illustrative embodiment;
 FIG. 19 is an enlarged top plan view of the second illustrative embodiment; and,
 FIG. 20 is an enlarged front view of the second illustrative embodiment.

(Continued)



The features shown in broken lines depict environmental subject matter only and form no part of the claimed design.

1 Claim, 9 Drawing Sheets

(56)

References Cited

U.S. PATENT DOCUMENTS

5,585,176	A *	12/1996	Grab	B23B 27/145	428/156
6,161,990	A *	12/2000	Oles	B23B 27/145	407/113
6,655,881	B2 *	12/2003	Shimizu	B23B 27/145	407/113
6,742,970	B2 *	6/2004	Oles	B23B 27/005	407/113
7,322,776	B2 *	1/2008	Webb	B23B 27/145	407/113
7,360,972	B2 *	4/2008	Sjogren	B22F 5/003	29/411

8,079,786	B2 *	12/2011	Corbin	B23B 27/141	407/113
9,028,953	B2 *	5/2015	Battaglia	B23B 27/148	428/156
D748,169	S *	1/2016	Tomoda	D15/139	
2002/0054794	A1 *	5/2002	Kato	B23B 27/145	407/115
2008/0075543	A1 *	3/2008	Zhu	B23B 27/14	407/119
2008/0254282	A1 *	10/2008	Kukino	B23B 27/141	428/336
2010/0129168	A1 *	5/2010	Waki	C23C 14/0641	407/119
2015/0016902	A1 *	1/2015	Okamura	B23B 27/145	407/116
2015/0202730	A1 *	7/2015	Watanobe	B24B 3/34	407/115
2015/0239050	A1 *	8/2015	Hirano	B23B 27/14	407/115
2015/0266100	A1 *	9/2015	Okamura	B23B 27/145	407/66

* cited by examiner

FIG. 1

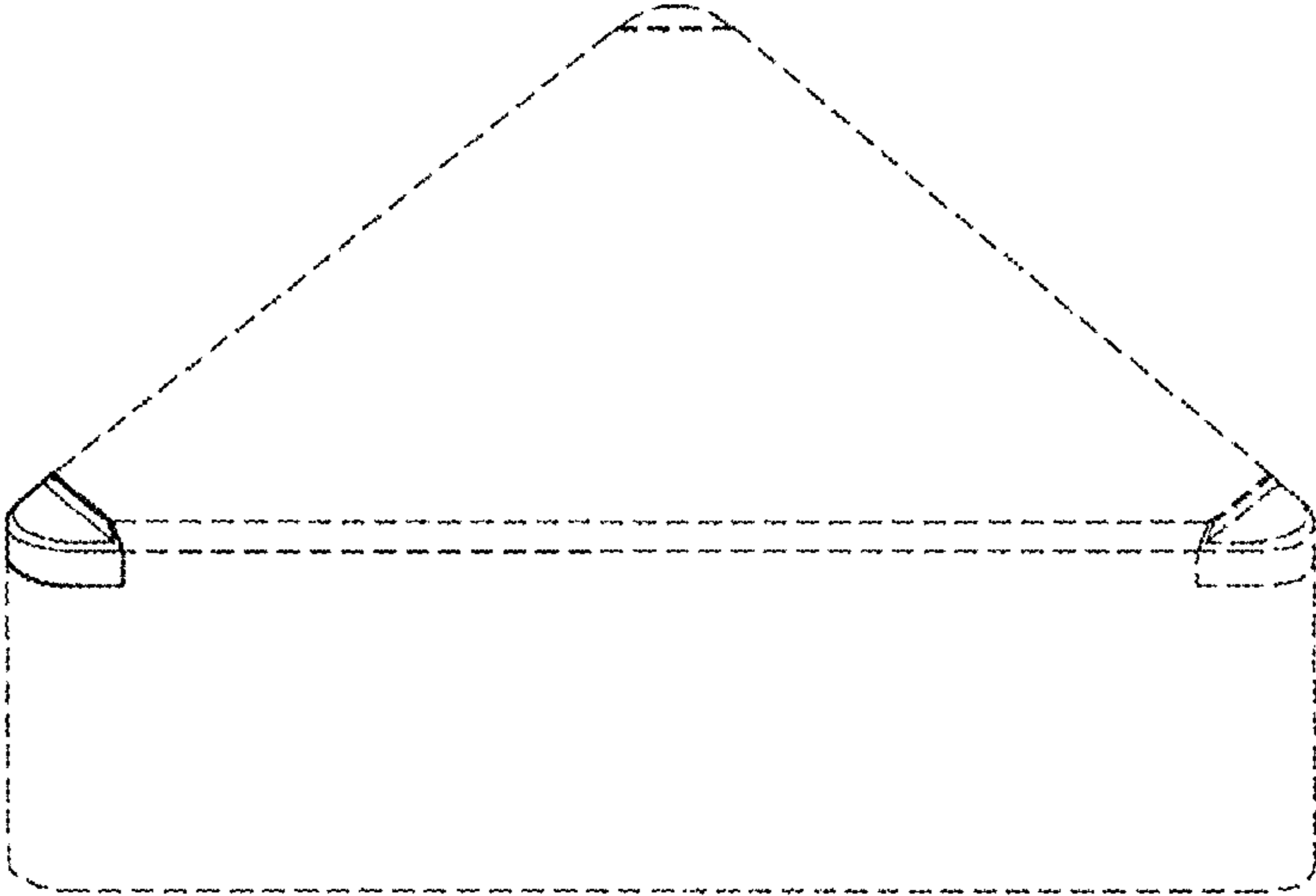


FIG. 2

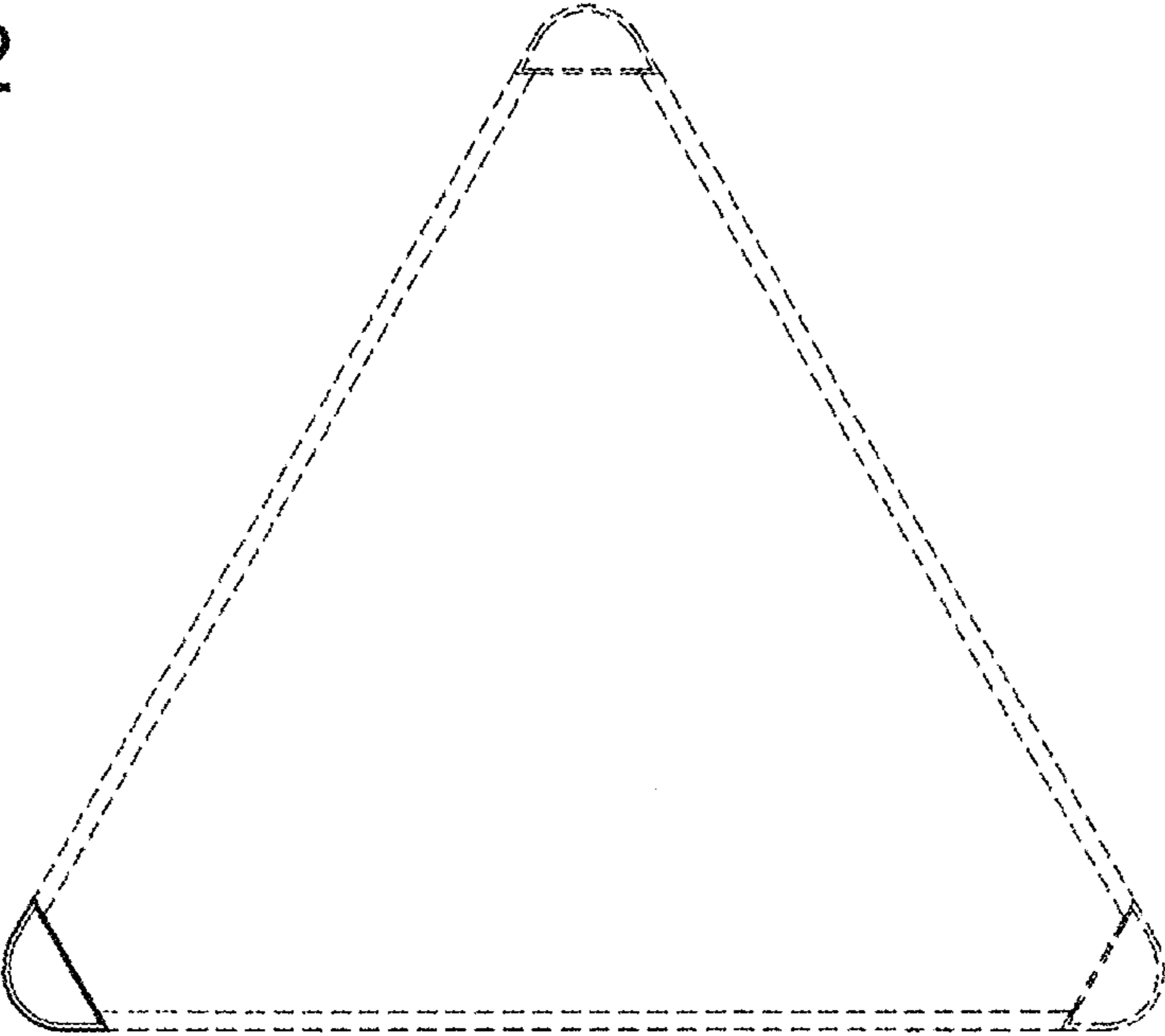


FIG. 3

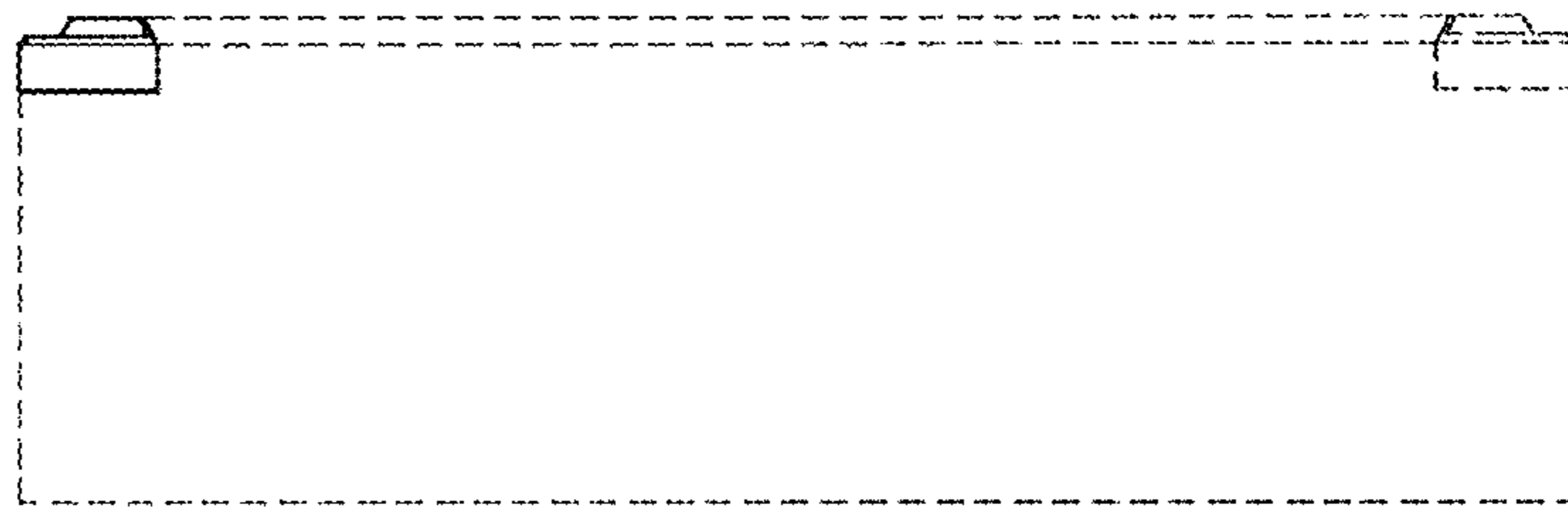


FIG. 4

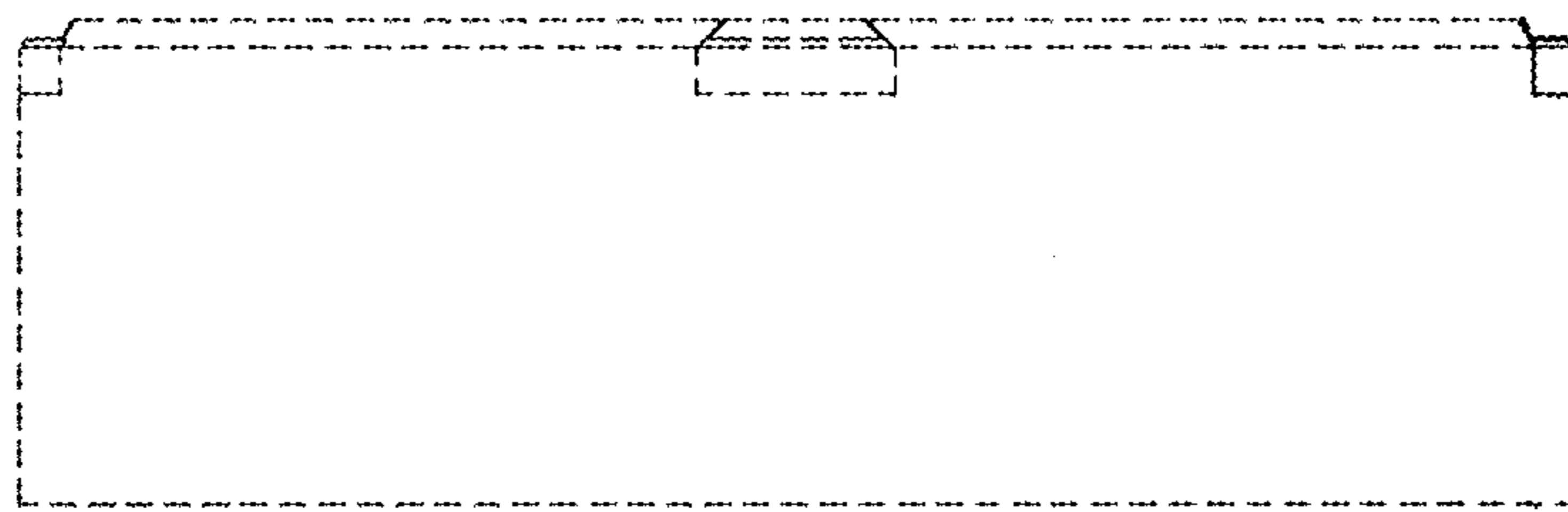


FIG. 5

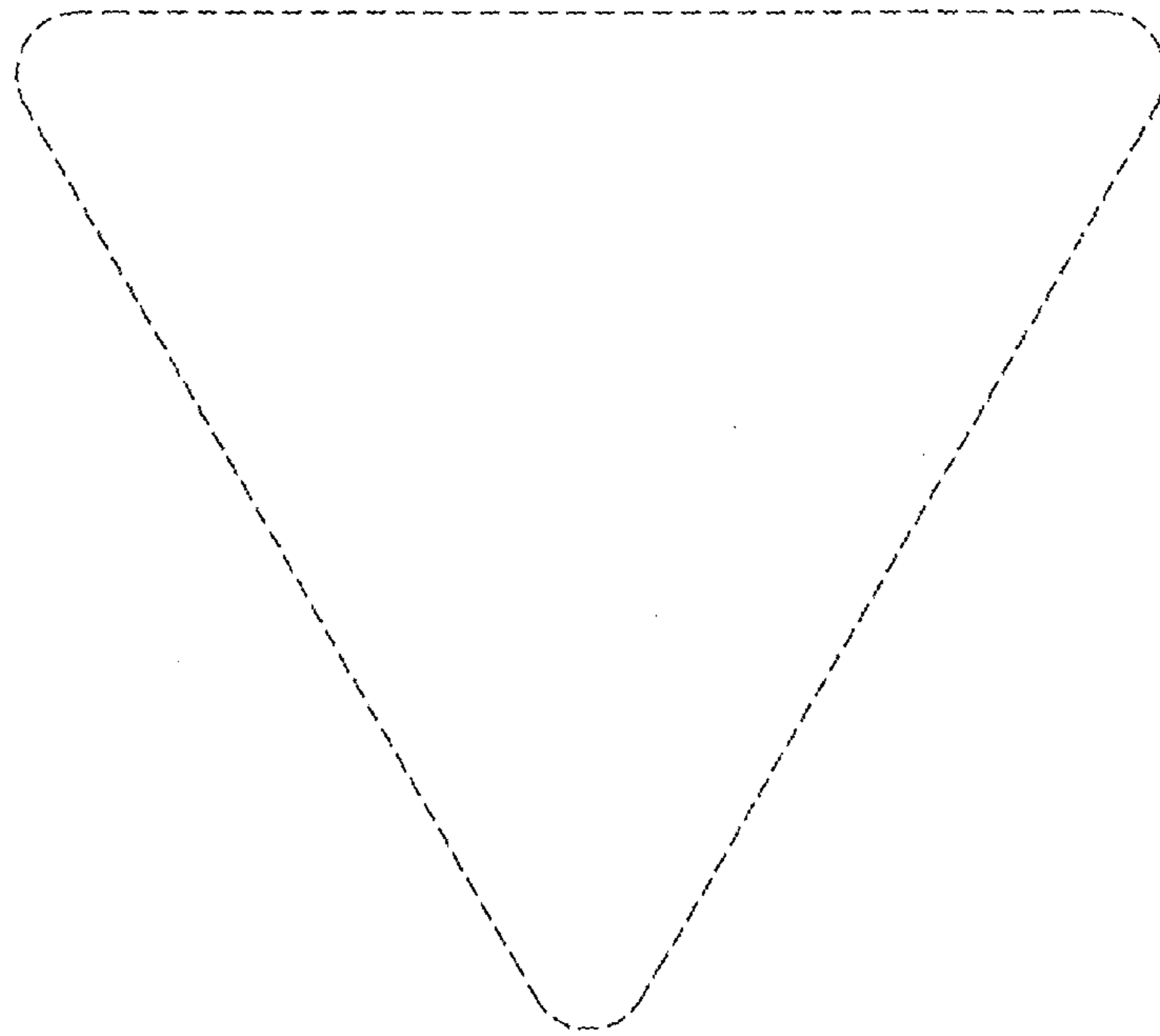


FIG. 6

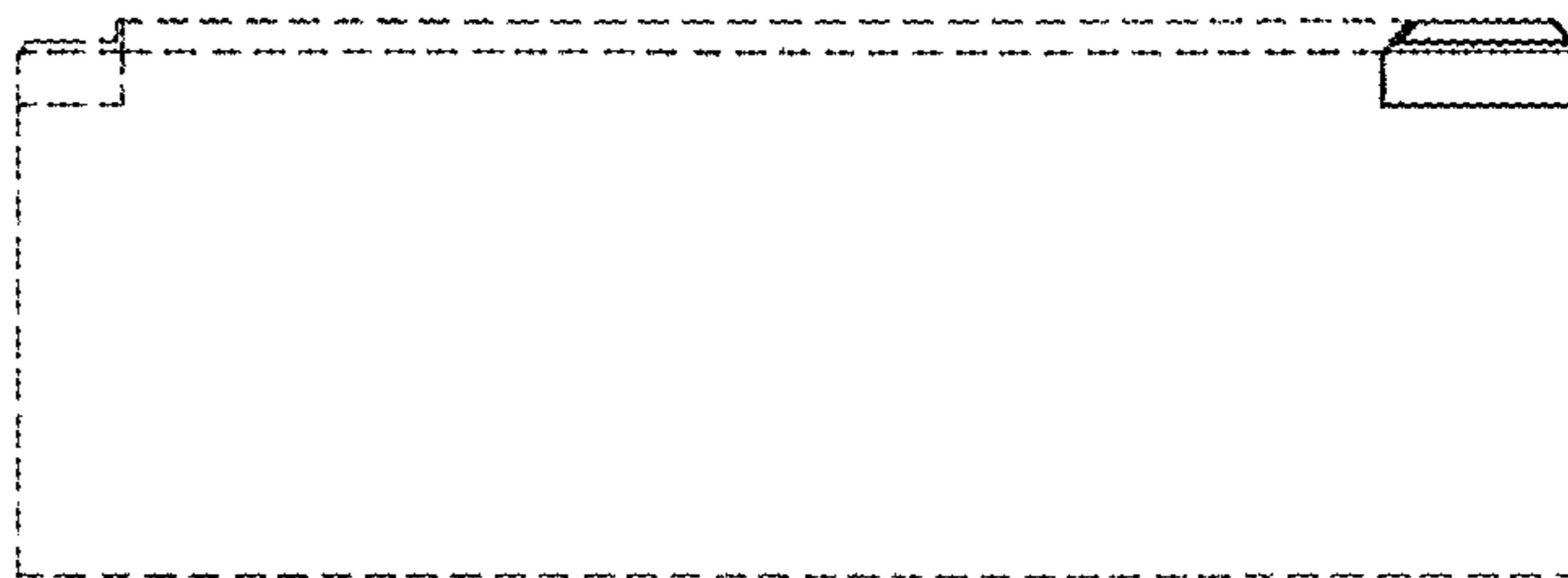


FIG. 7

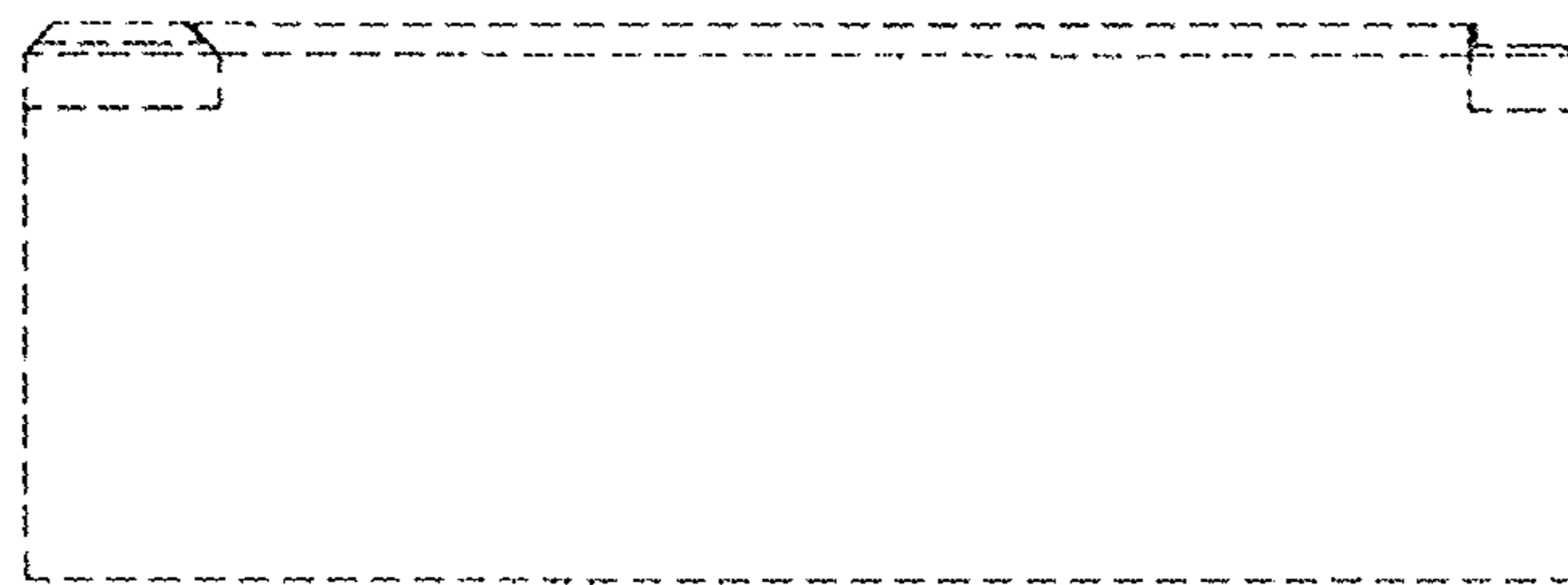


FIG. 8

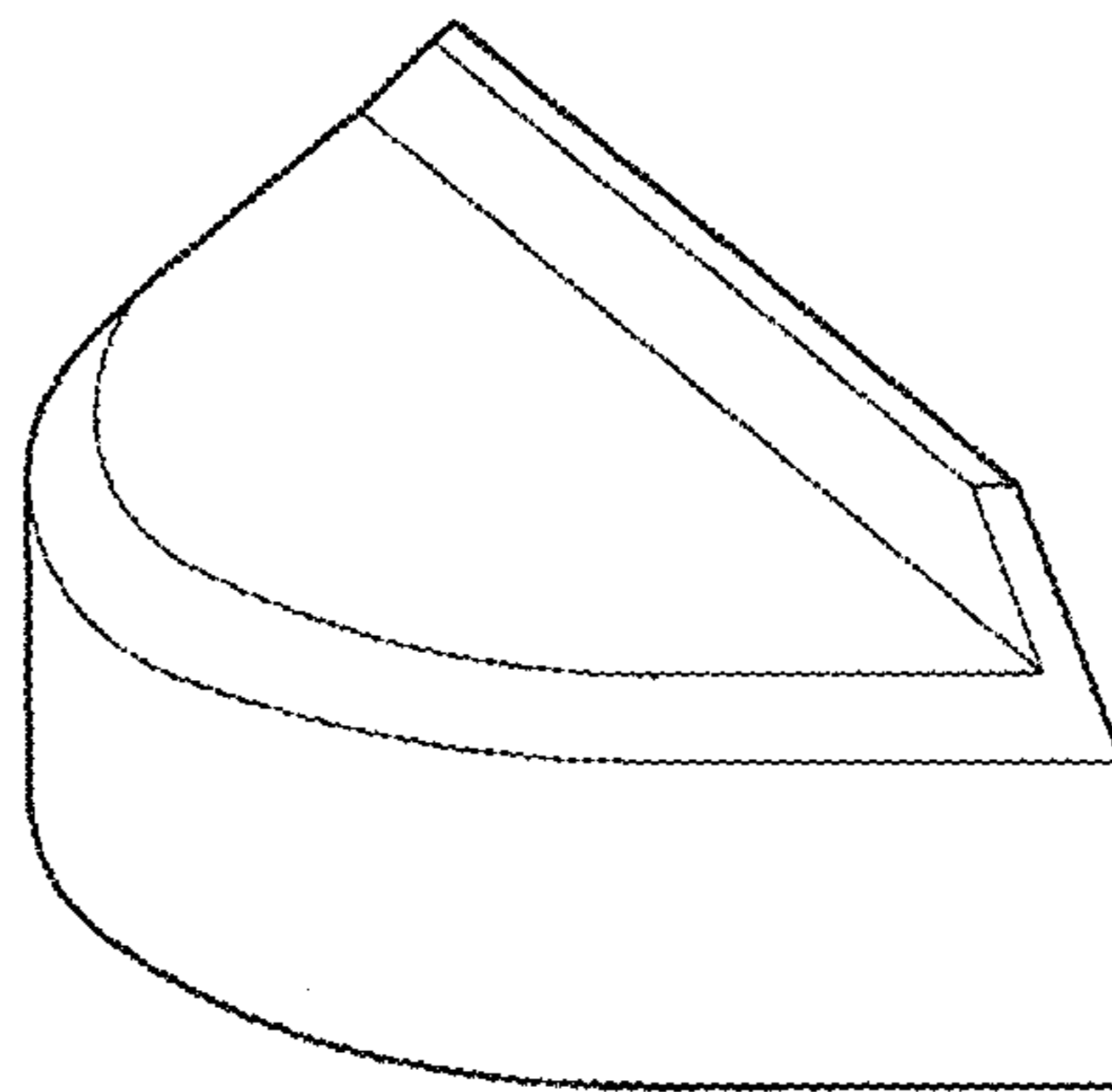


FIG. 9

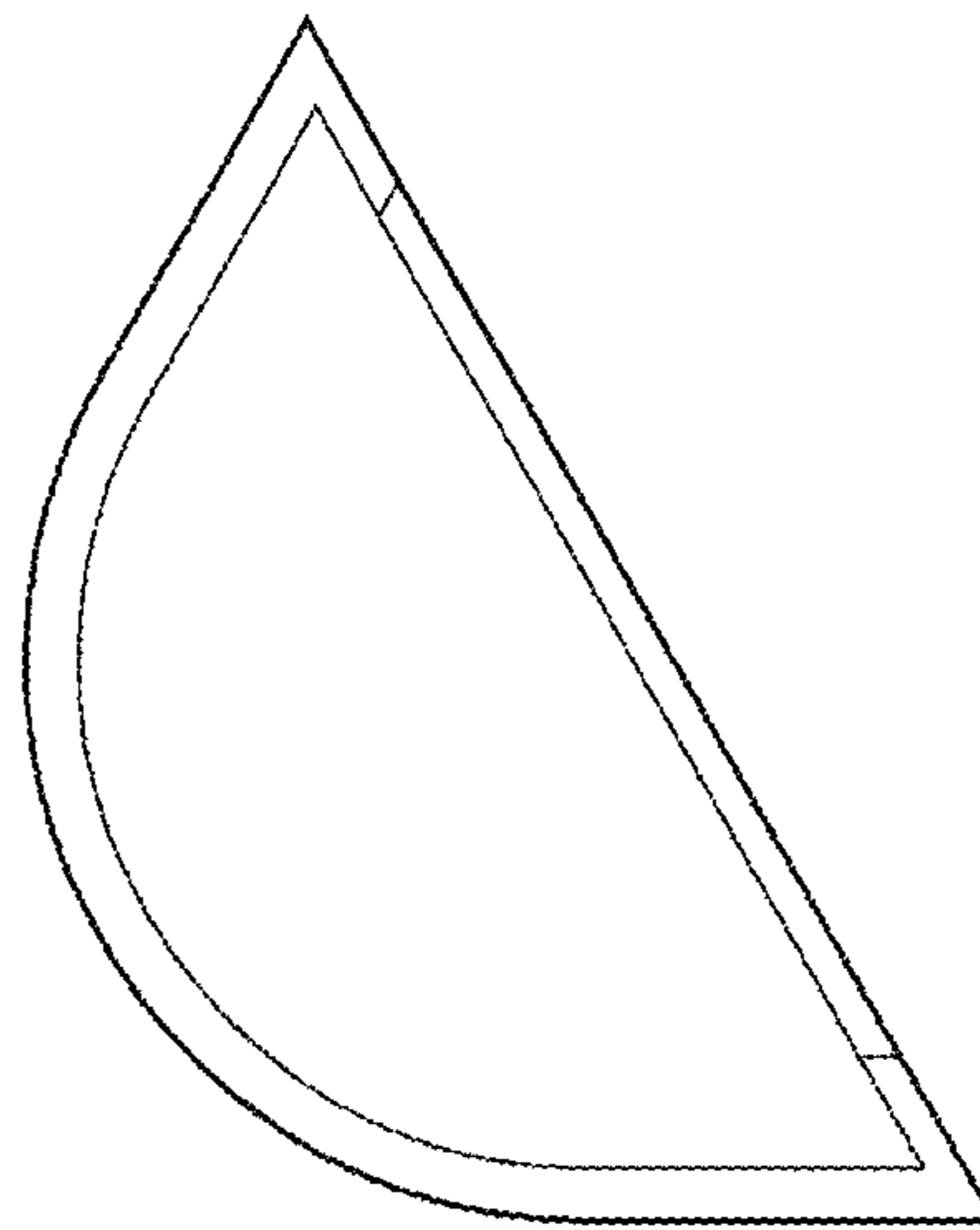


FIG. 10

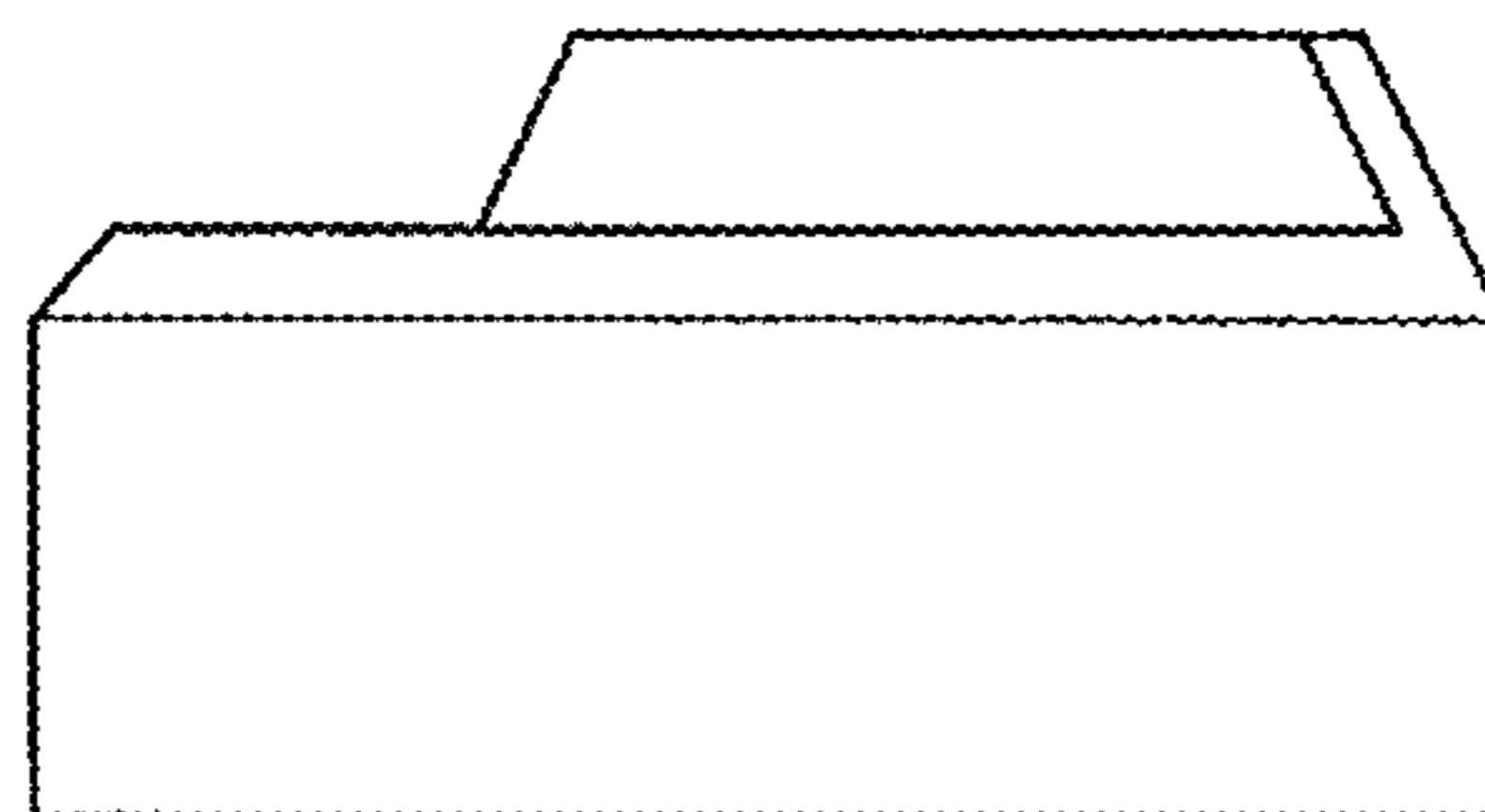


FIG. 11

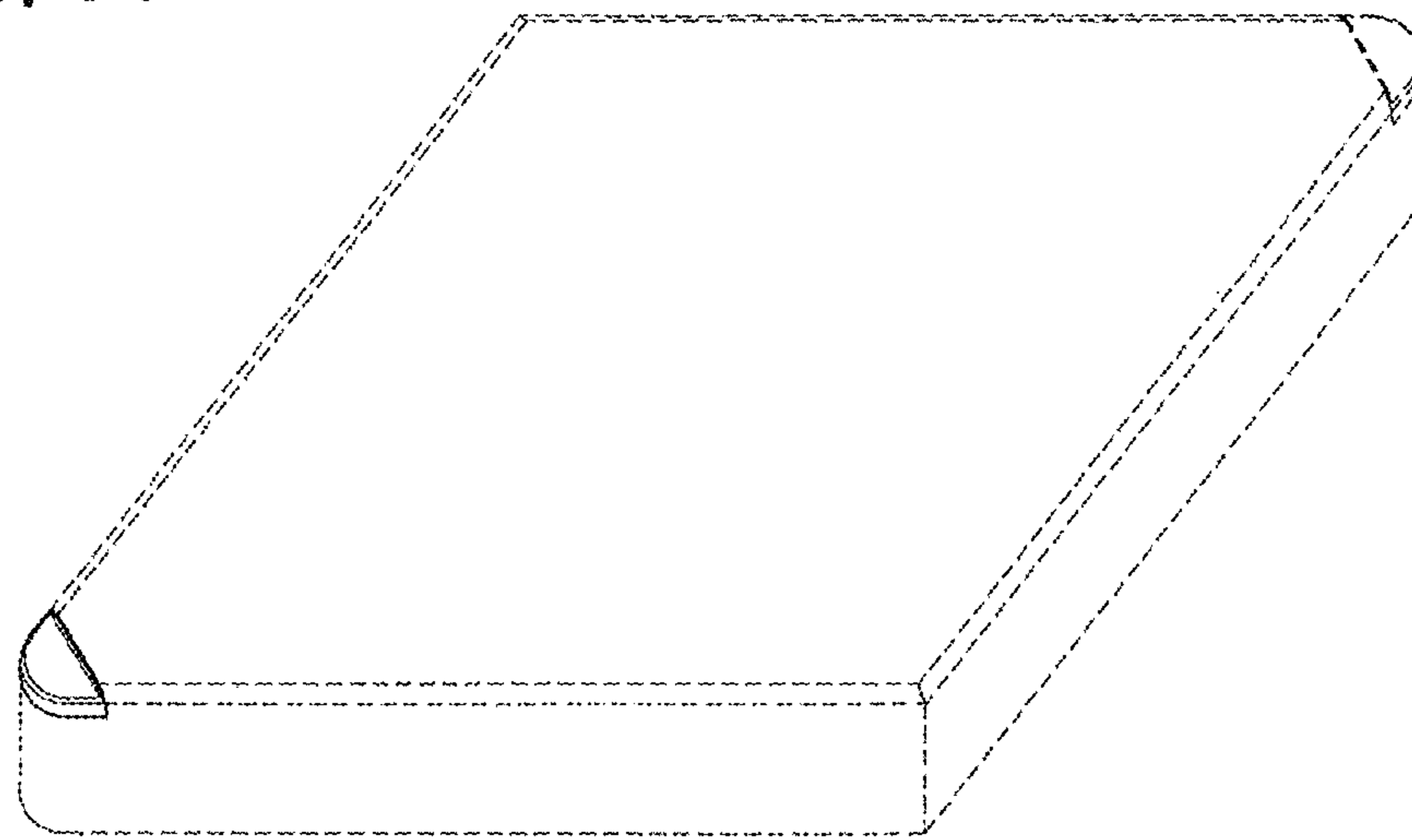


FIG. 12

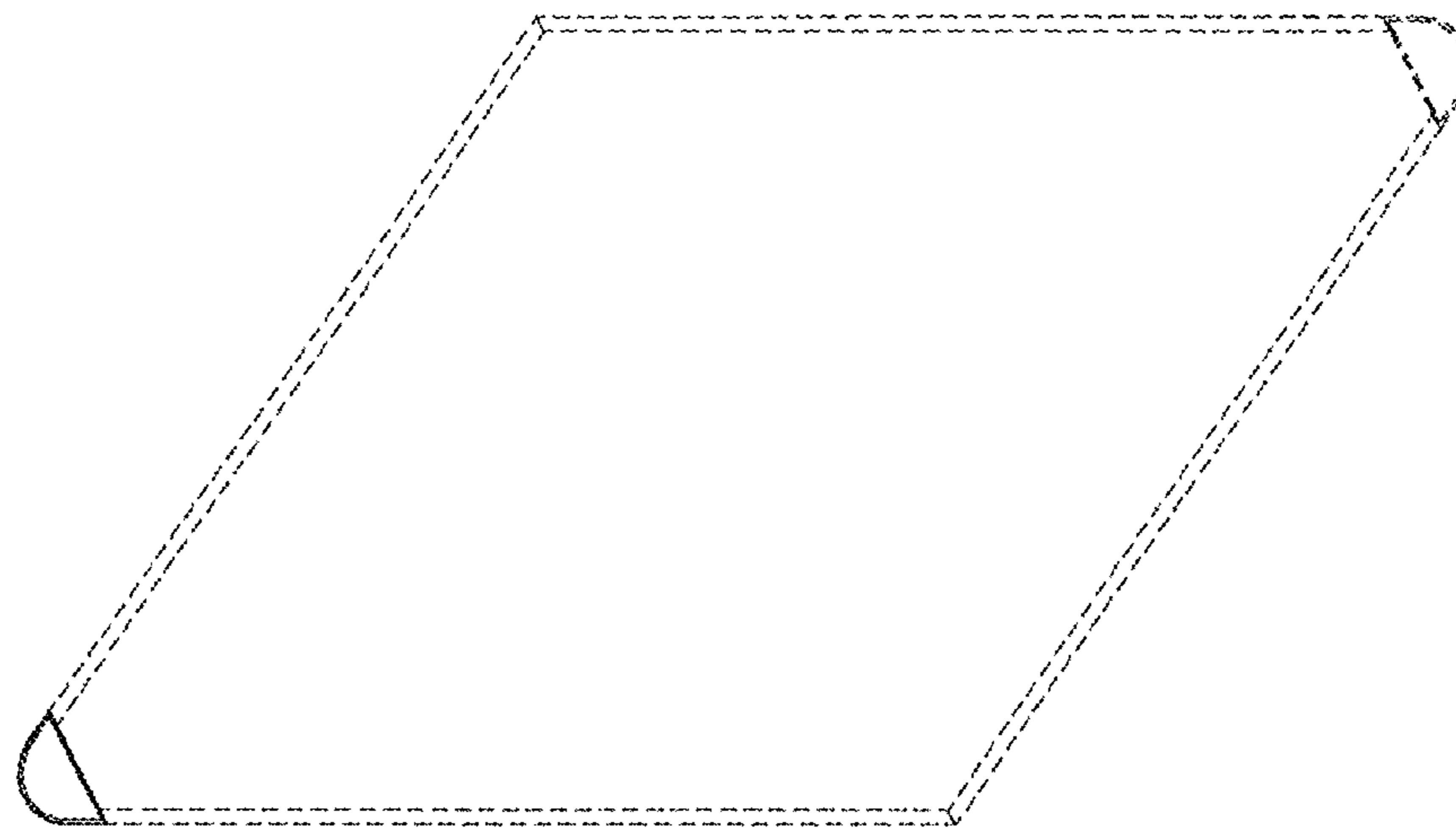


FIG. 13

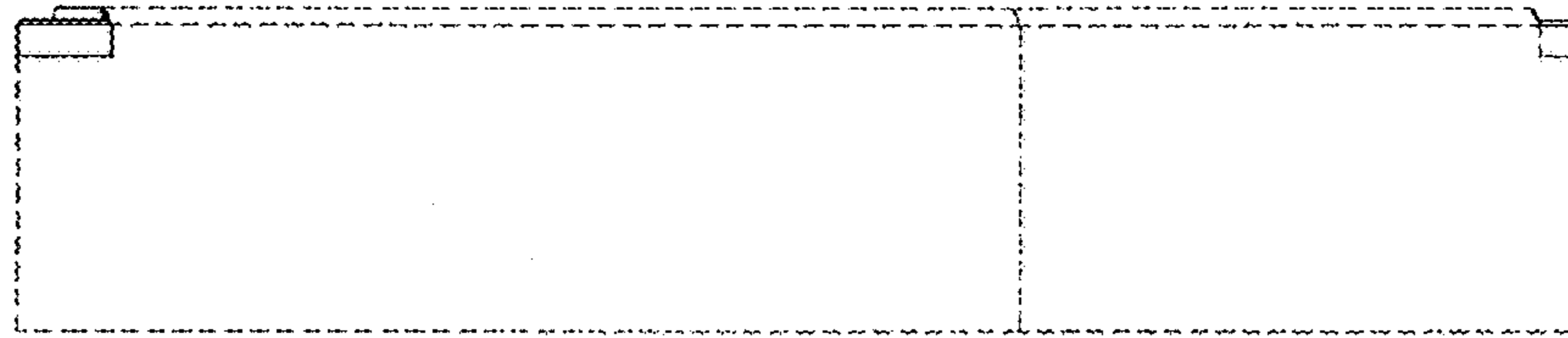


FIG. 14

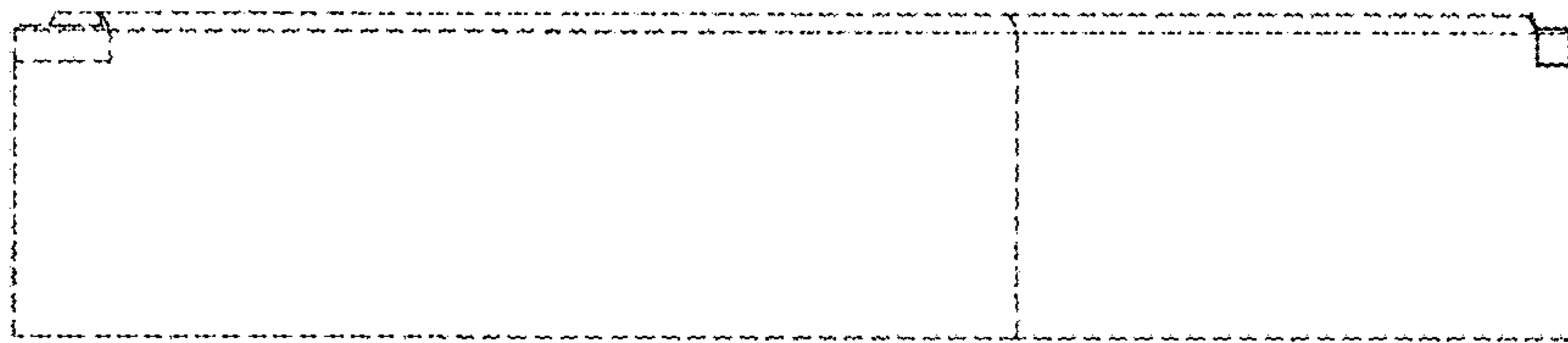


FIG. 15

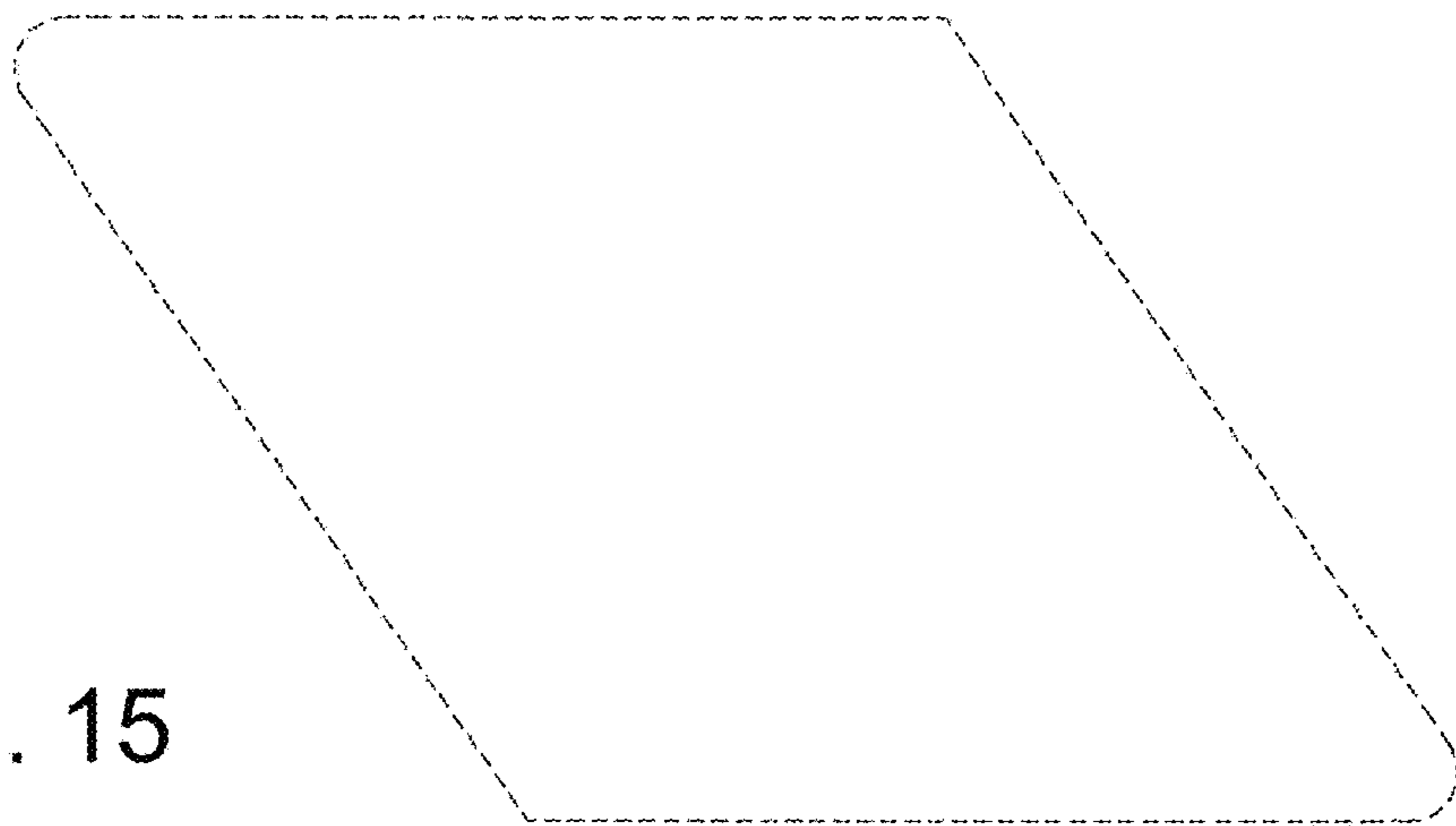


FIG. 16

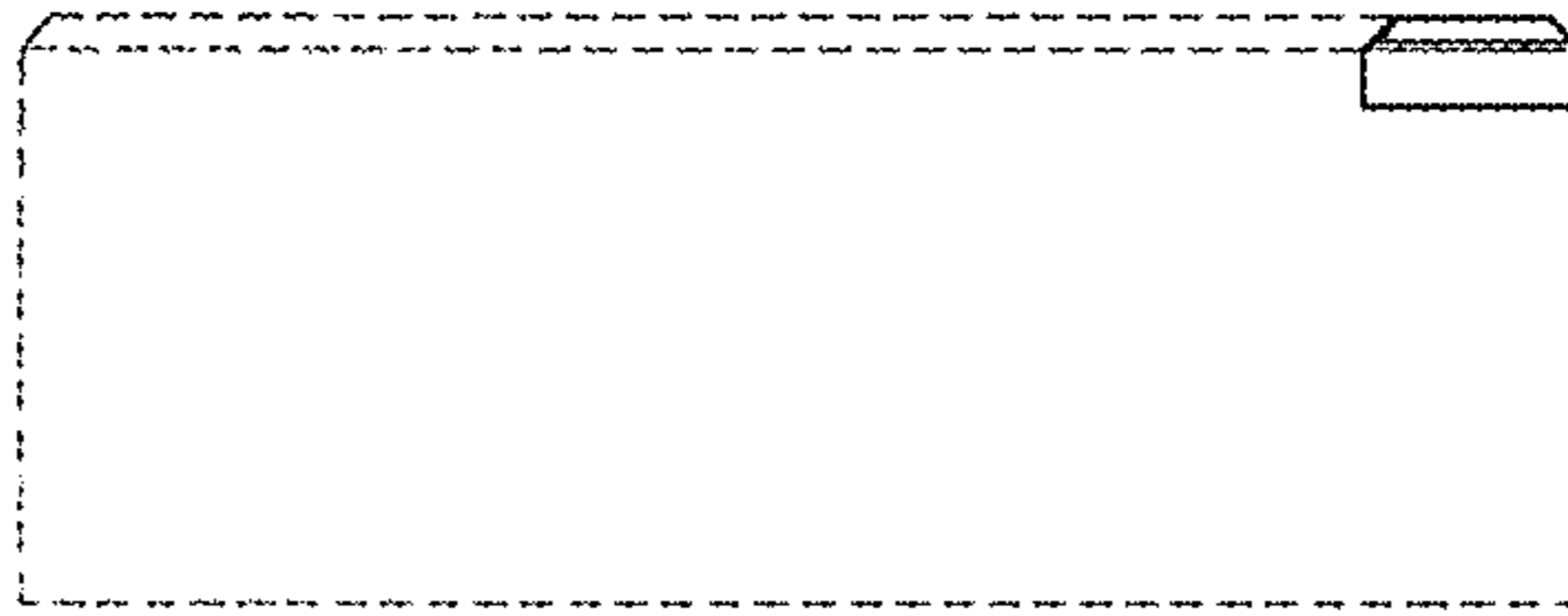


FIG. 17

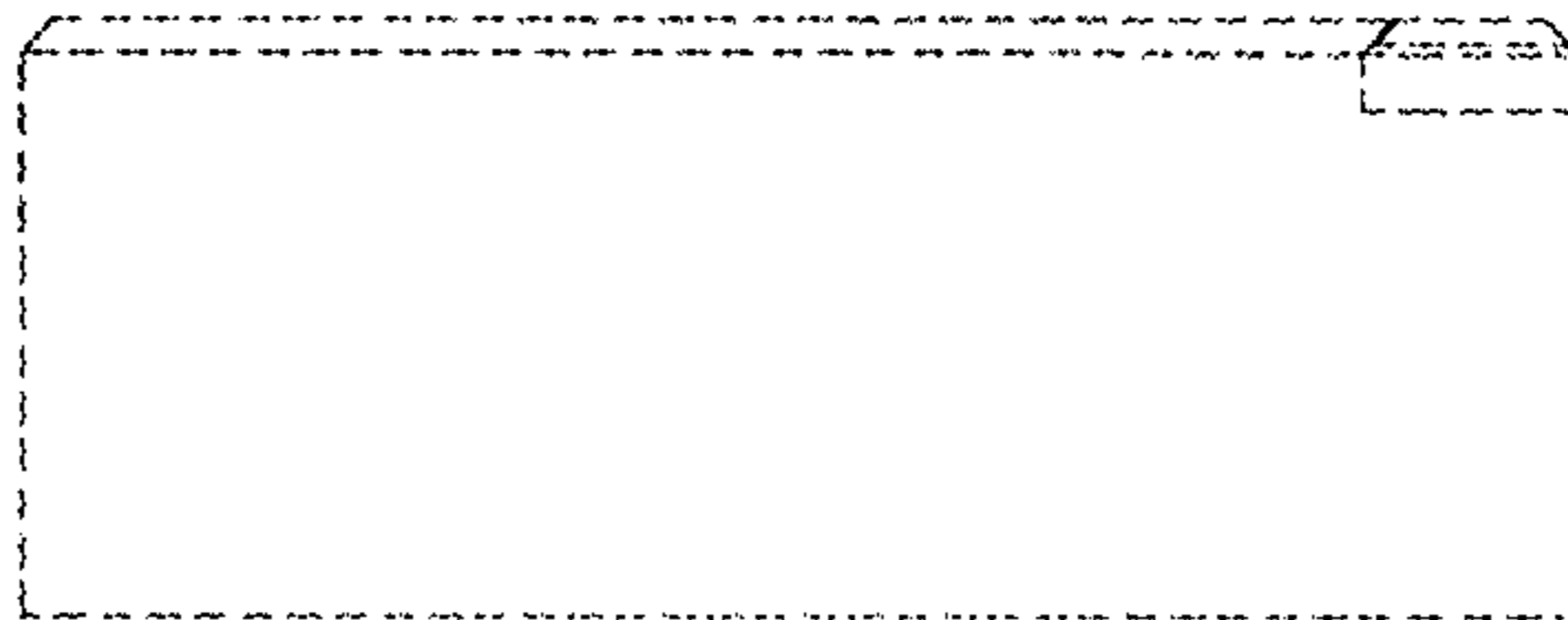


FIG. 18

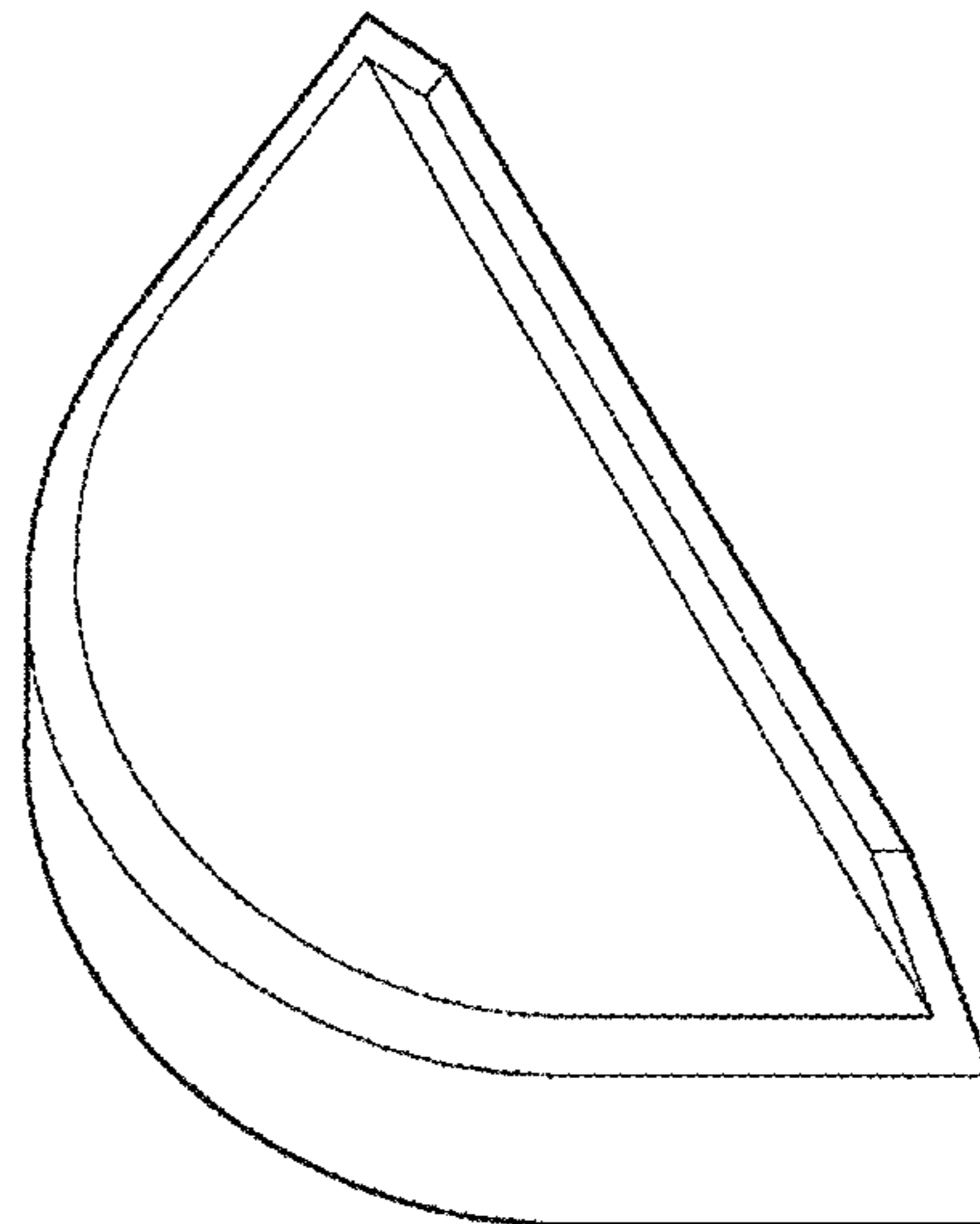


FIG. 19

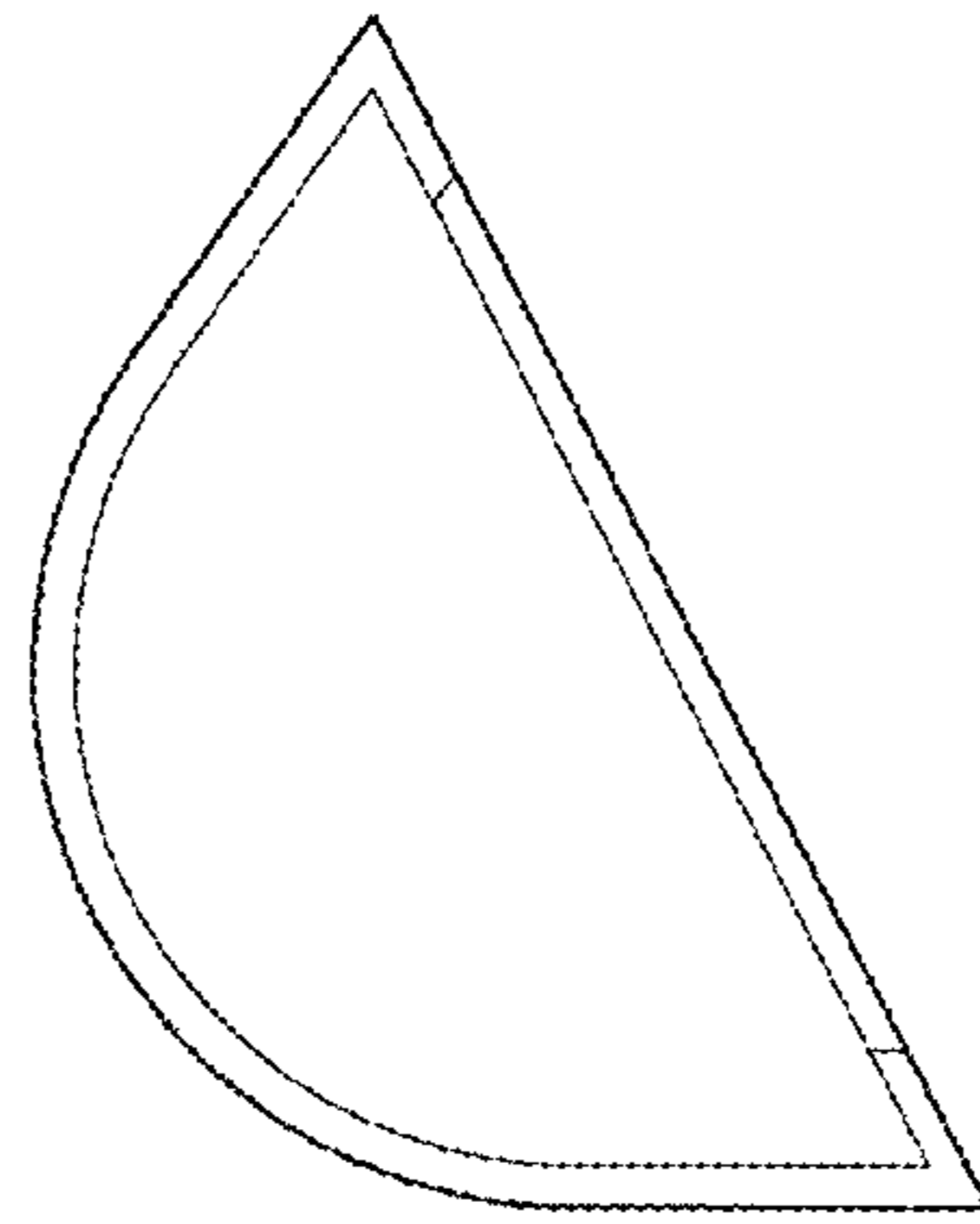


FIG. 20

