

US00D787577S

(12) **United States Design Patent**
Fernandes

(10) **Patent No.:** **US D787,577 S**

(45) **Date of Patent:** **** May 23, 2017**

- (54) **WET SAW WATER TRAY**
- (71) Applicant: **Fernando I. Fernandes**, Lynn, MA (US)
- (72) Inventor: **Fernando I. Fernandes**, Lynn, MA (US)
- (**) Term: **15 Years**
- (21) Appl. No.: **29/505,208**
- (22) Filed: **Jul. 23, 2015**
- (51) **LOC (10) Cl.** **15-09**
- (52) **U.S. Cl.**
USPC **D15/133**
- (58) **Field of Classification Search**
USPC D15/122, 127, 133, 134, 199; 83/98;
144/286.1, 286.5; 409/253
See application file for complete search history.

- 6,257,222 B1 * 7/2001 Kaeser B23Q 11/08
125/12
- 6,557,602 B1 * 5/2003 Sorensen B23D 47/025
144/286.1
- 6,796,890 B1 * 9/2004 Goldrick B23D 59/006
125/12
- D524,003 S * 6/2006 Prokop D32/53.1
- D600,257 S * 9/2009 Hutchins D15/133
- D624,946 S * 10/2010 Hutchins D15/133

(Continued)

Primary Examiner — Patricia Palasik
(74) *Attorney, Agent, or Firm* — Joseph R. Birkner

(57) **CLAIM**

The ornamental design for a wet saw water tray, as shown and described.

DESCRIPTION

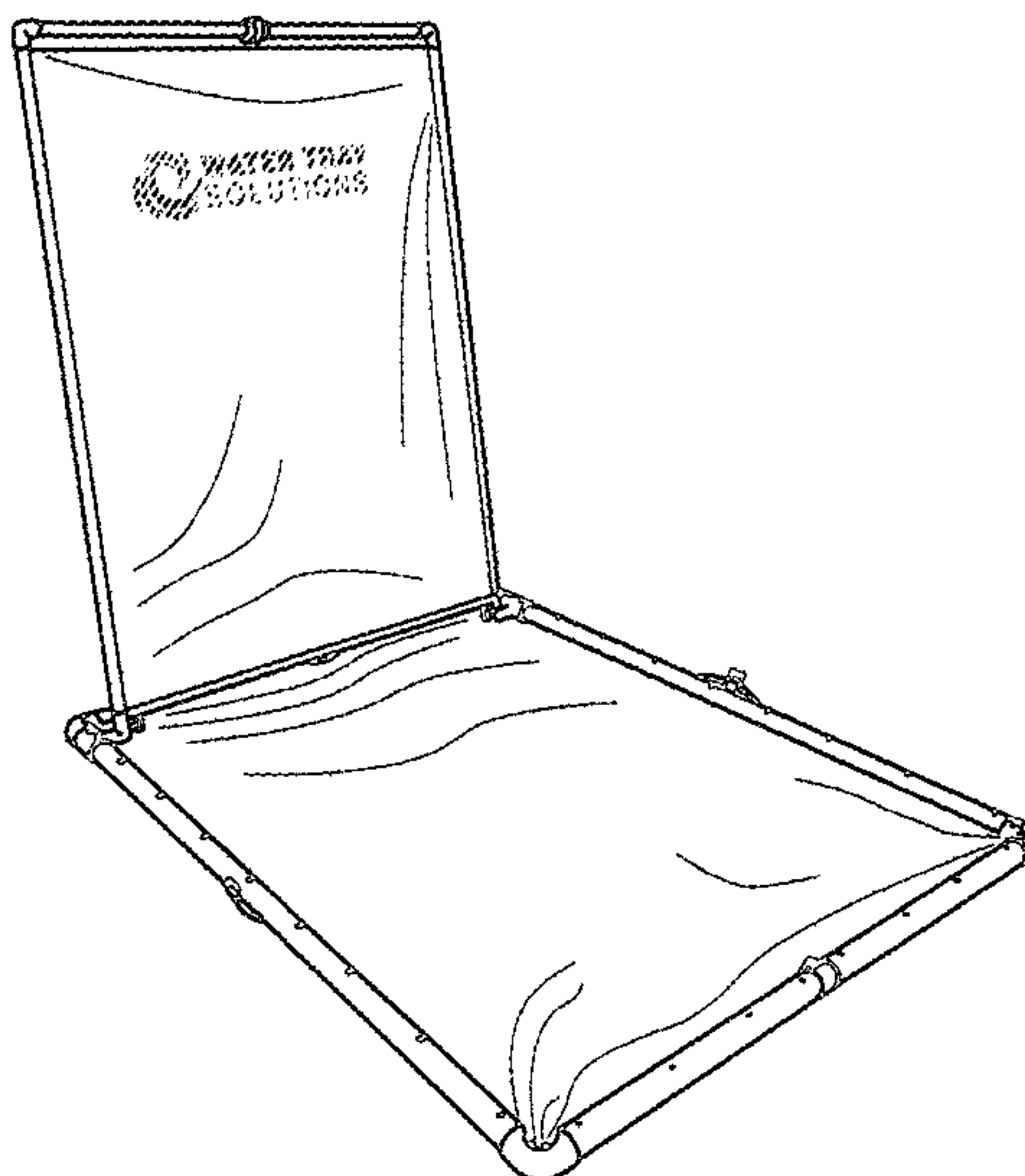
FIG. 1 is a perspective view of a wet saw water tray showing my new design;
 FIG. 2 is a front elevation view thereof;
 FIG. 3 is a rear elevation view thereof;
 FIG. 4 is a left side elevation view thereof;
 FIG. 5 is a right side elevation view thereof;
 FIG. 6 is a top plan view thereof;
 FIG. 7 is a bottom plan view thereof;
 FIG. 8 is a top plan view thereof showing a folded, alternate position;
 FIG. 9 is a bottom plan view thereof showing a folded, alternate position;
 FIG. 10 is a left side elevation view thereof showing a folded, alternate position; and,
 FIG. 11 is a right side elevation view thereof showing a folded, alternate position.
 The broken line showing a logo and indicia in FIG. 1 and in FIG. 2 depict unclaimed environmental subject matter.
 The broken lines in FIG. 10 depict unclaimed environmental subject matter.

(56) **References Cited**

U.S. PATENT DOCUMENTS

- 1,664,431 A * 4/1928 Ringer B25H 3/02
206/349
- 1,987,409 A * 1/1935 Moore B23Q 1/68
83/176
- D178,424 S * 7/1956 Peters D24/227
- 4,068,648 A * 1/1978 Erdman B28D 1/047
125/13.01
- 4,423,568 A * 1/1984 Gould B24B 55/06
144/251.2
- 4,484,845 A * 11/1984 Pennella, Jr. B23Q 11/08
144/251.2
- D325,035 S * 3/1992 Sparks D15/138
- 5,577,955 A * 11/1996 Voege B23D 59/02
451/451
- 6,102,235 A * 8/2000 Stern B44D 3/126
15/257.06
- D435,705 S * 12/2000 Powers D30/120

1 Claim, 8 Drawing Sheets



(56)

References Cited

U.S. PATENT DOCUMENTS

8,215,296 B1 * 7/2012 Cisneros B28D 7/04
108/28
9,168,674 B2 * 10/2015 Walker B23D 59/02
2008/0295821 A1 * 12/2008 Gifford B23D 47/02
125/14
2013/0303066 A1 11/2013 Waulters

* cited by examiner

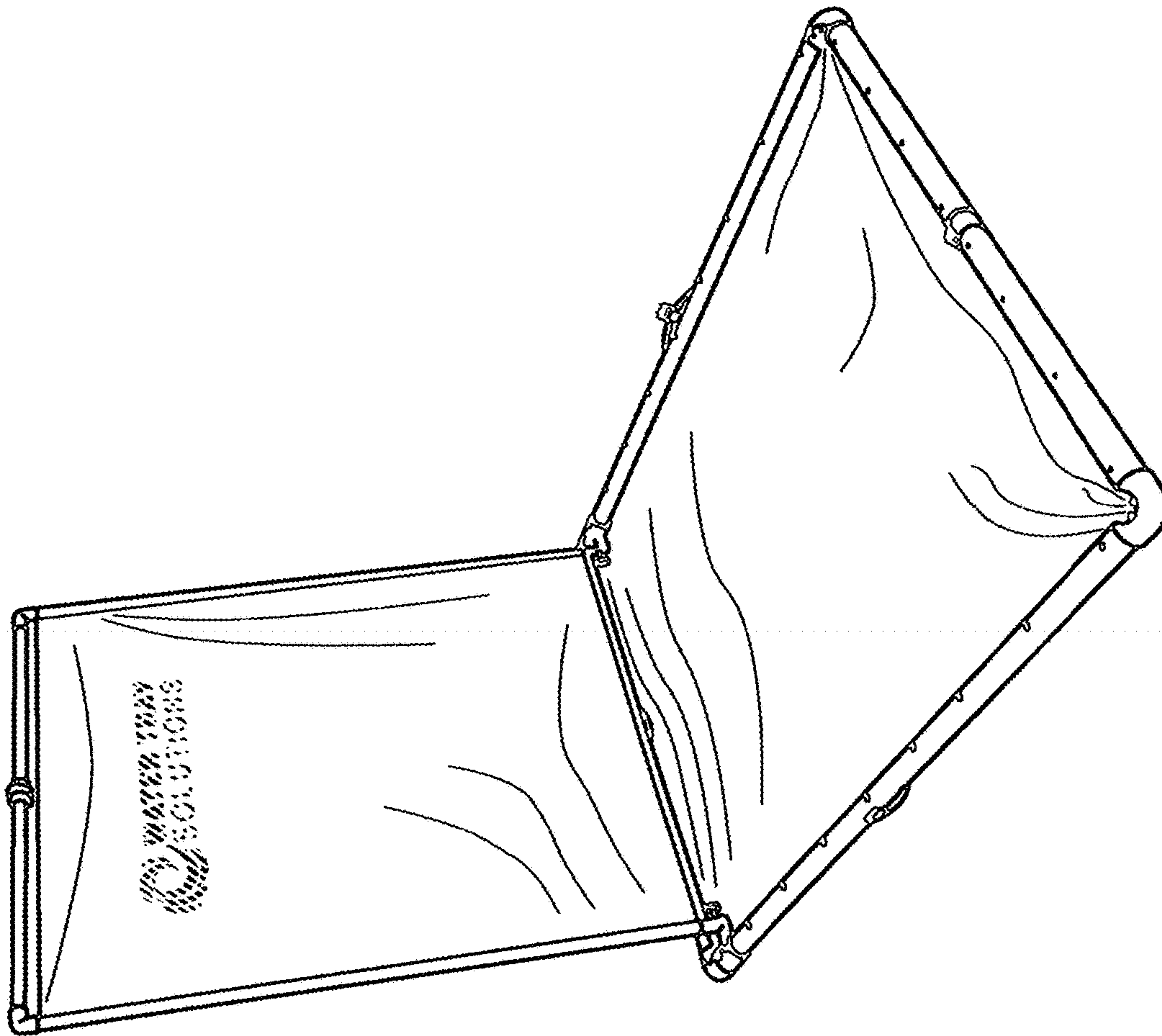


FIG. 1

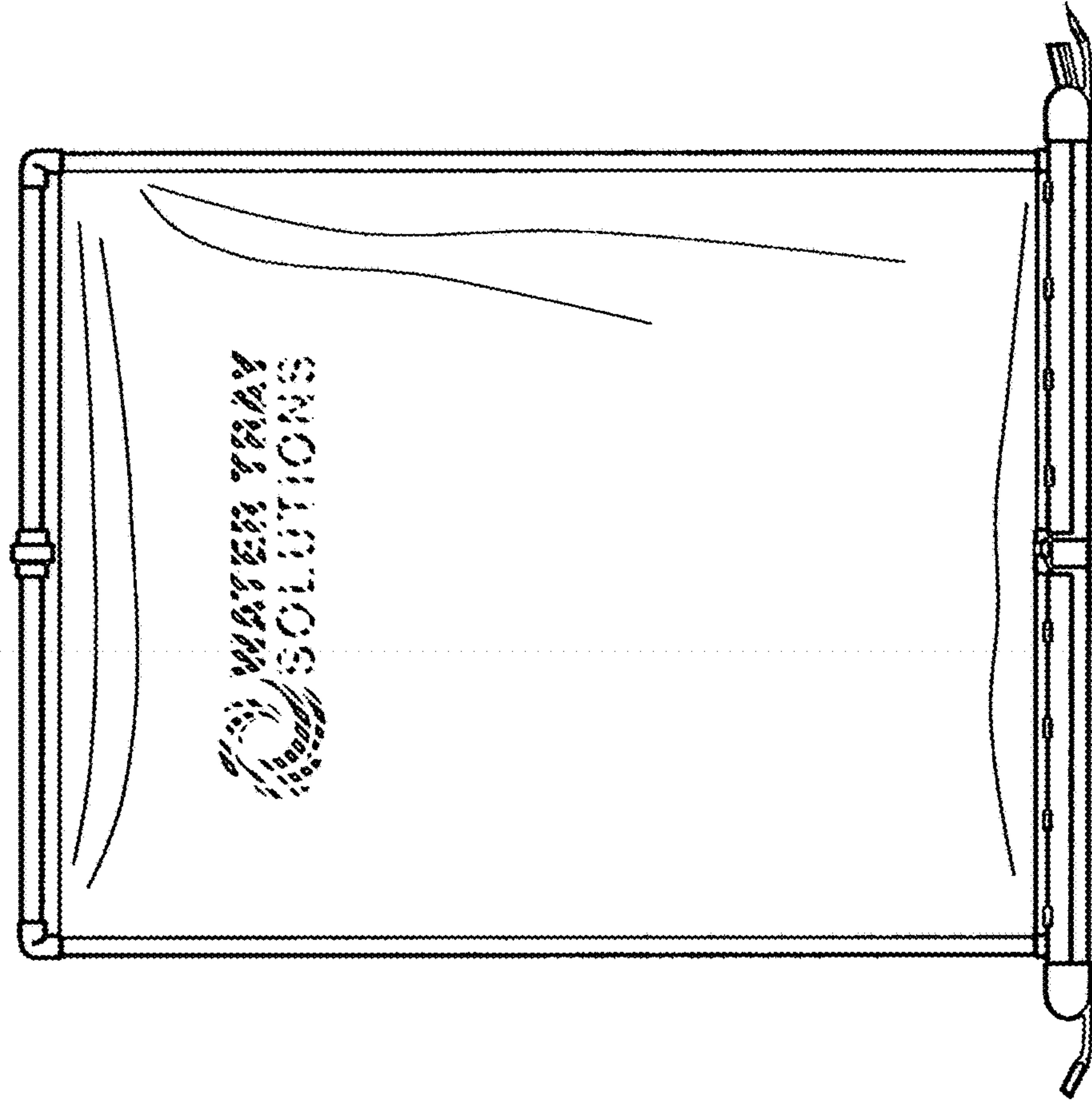


FIG. 2

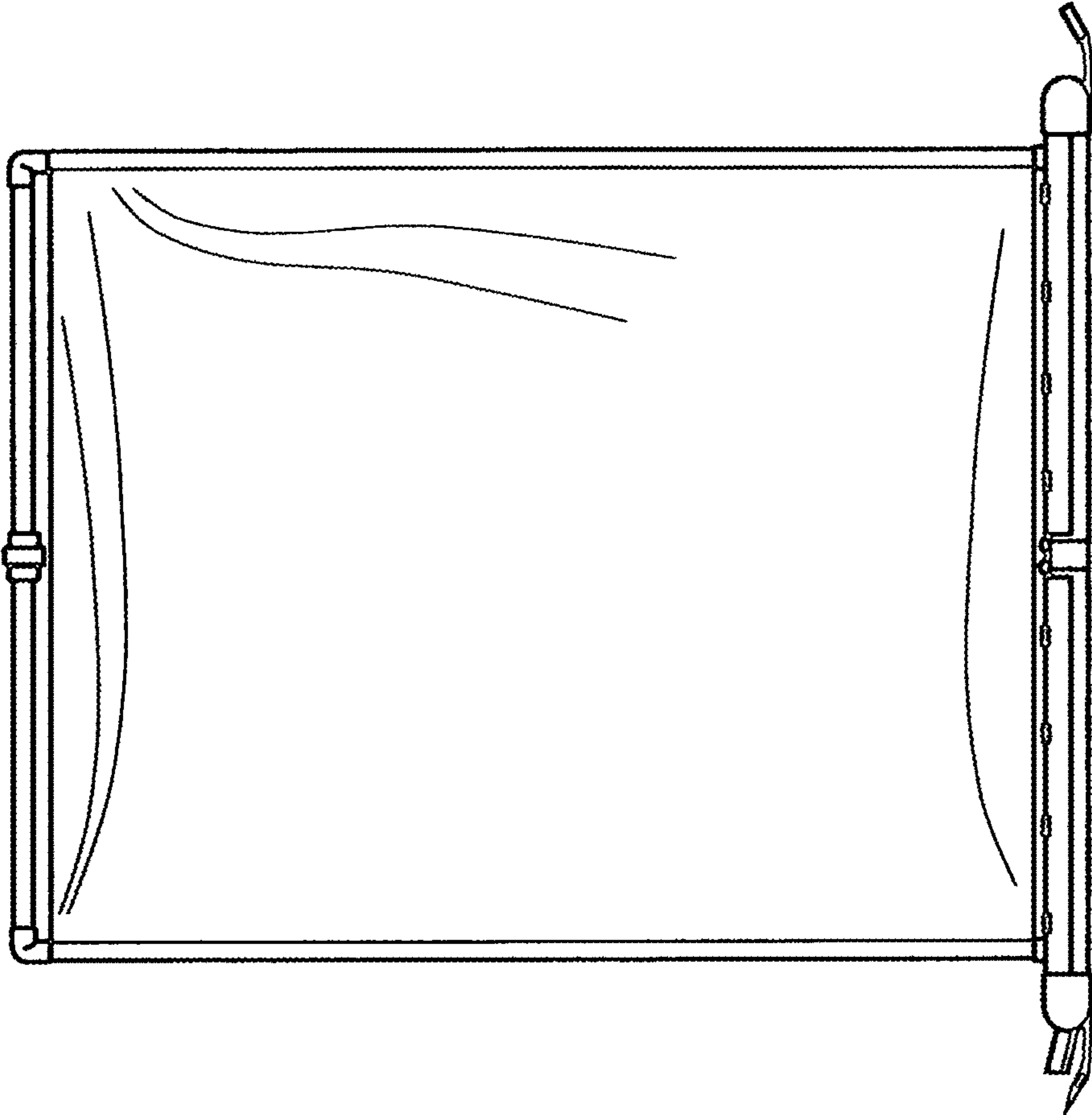


FIG. 3

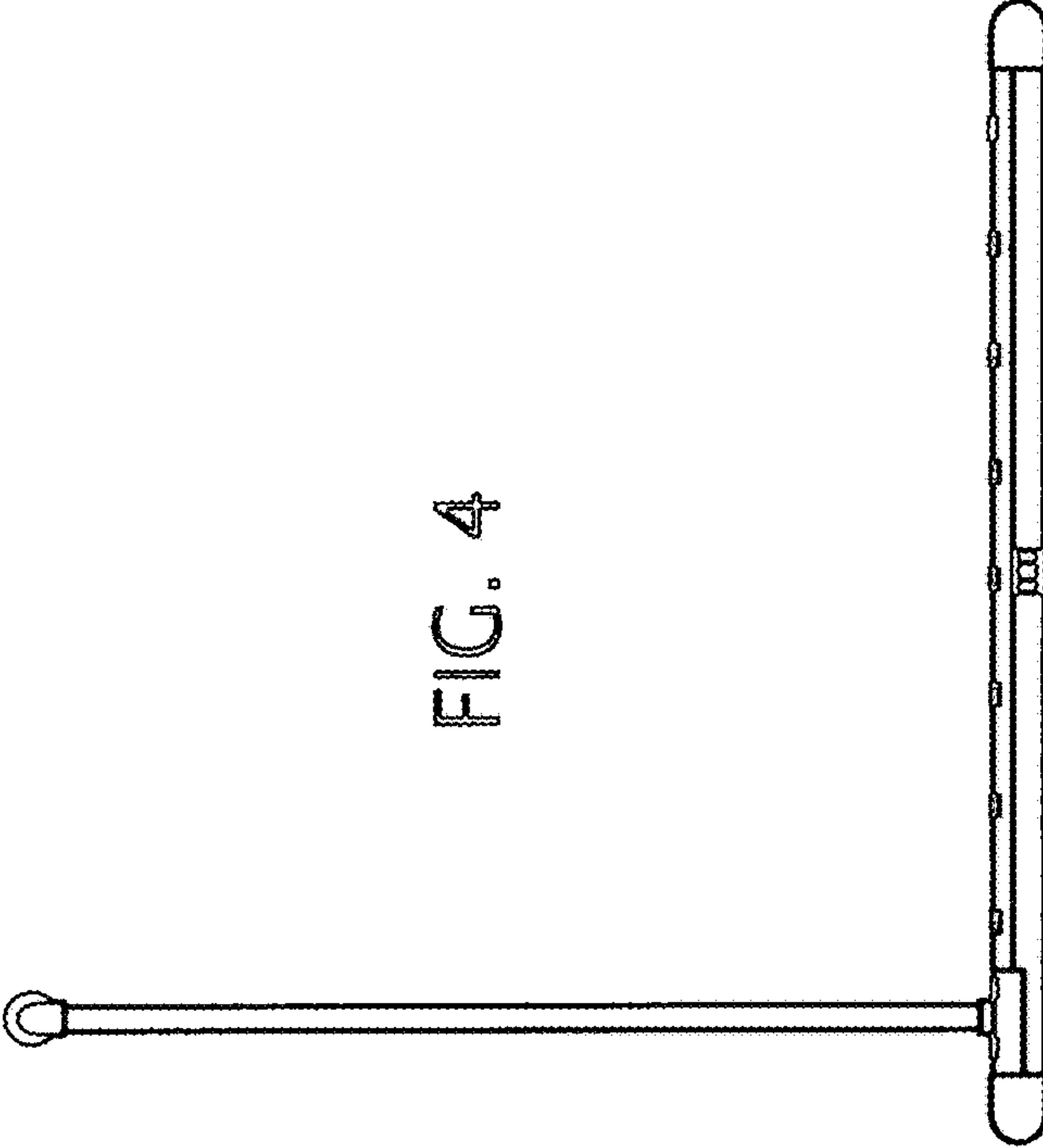


FIG. 4

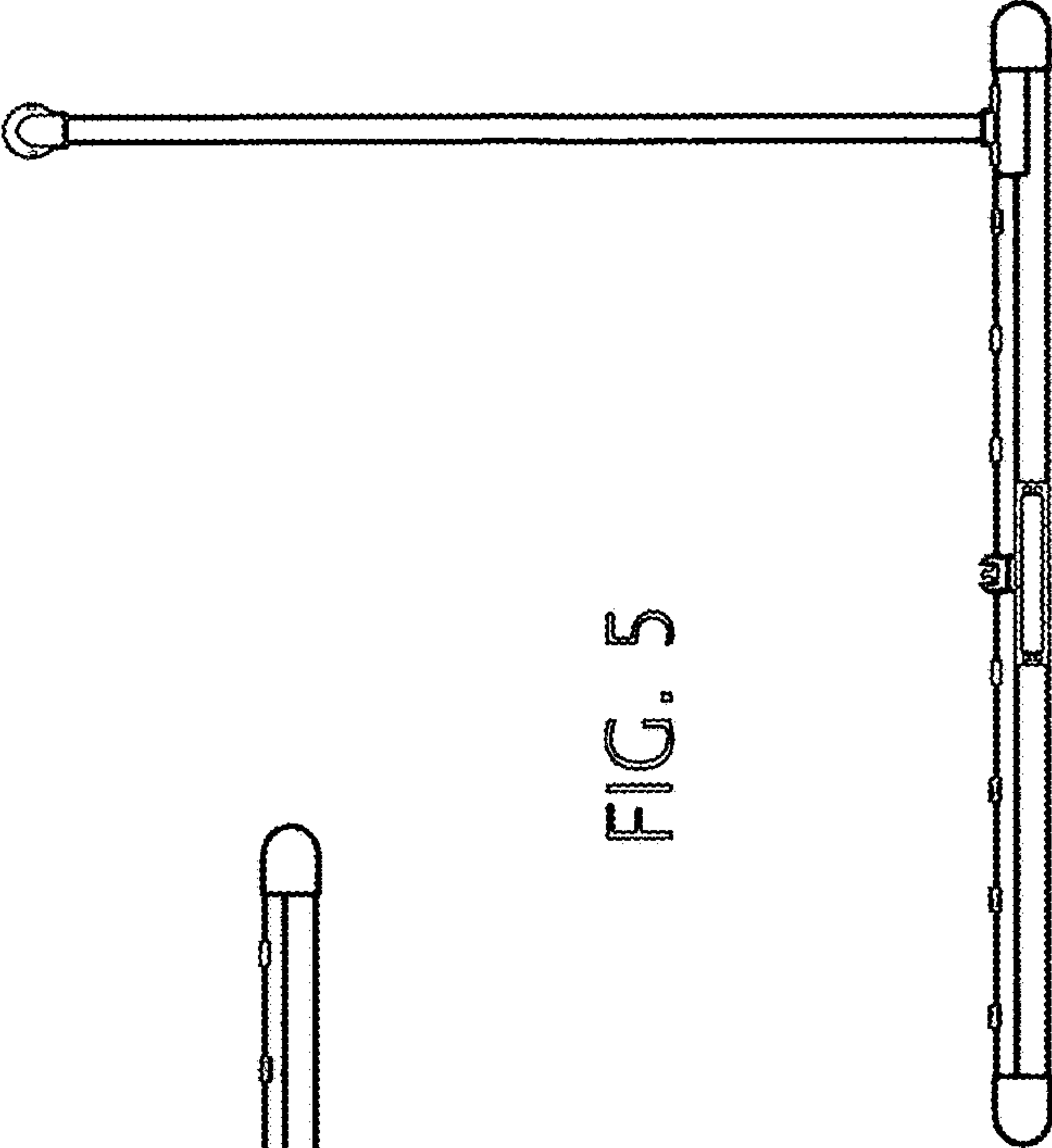


FIG. 5

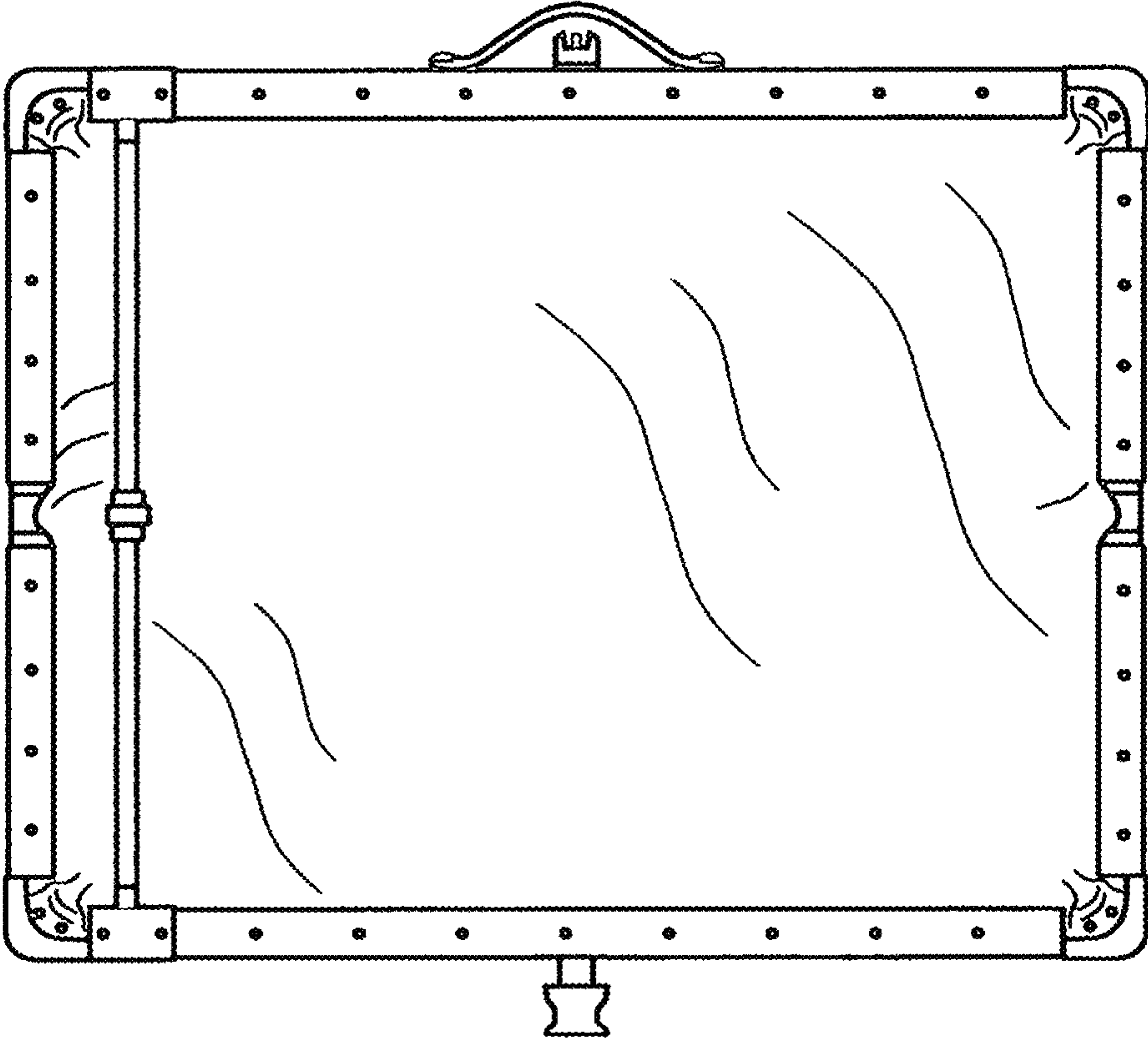


FIG. 6

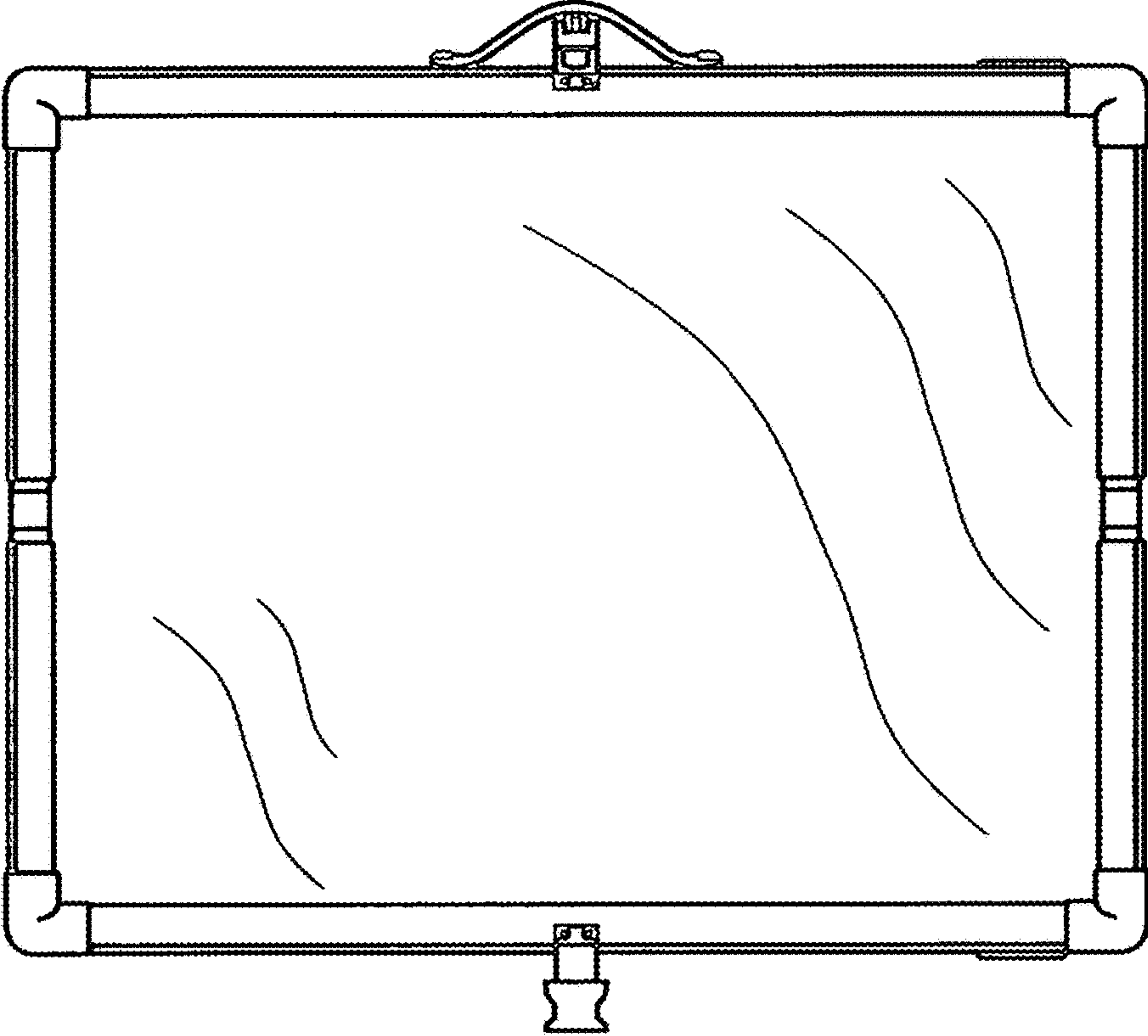


FIG. 7

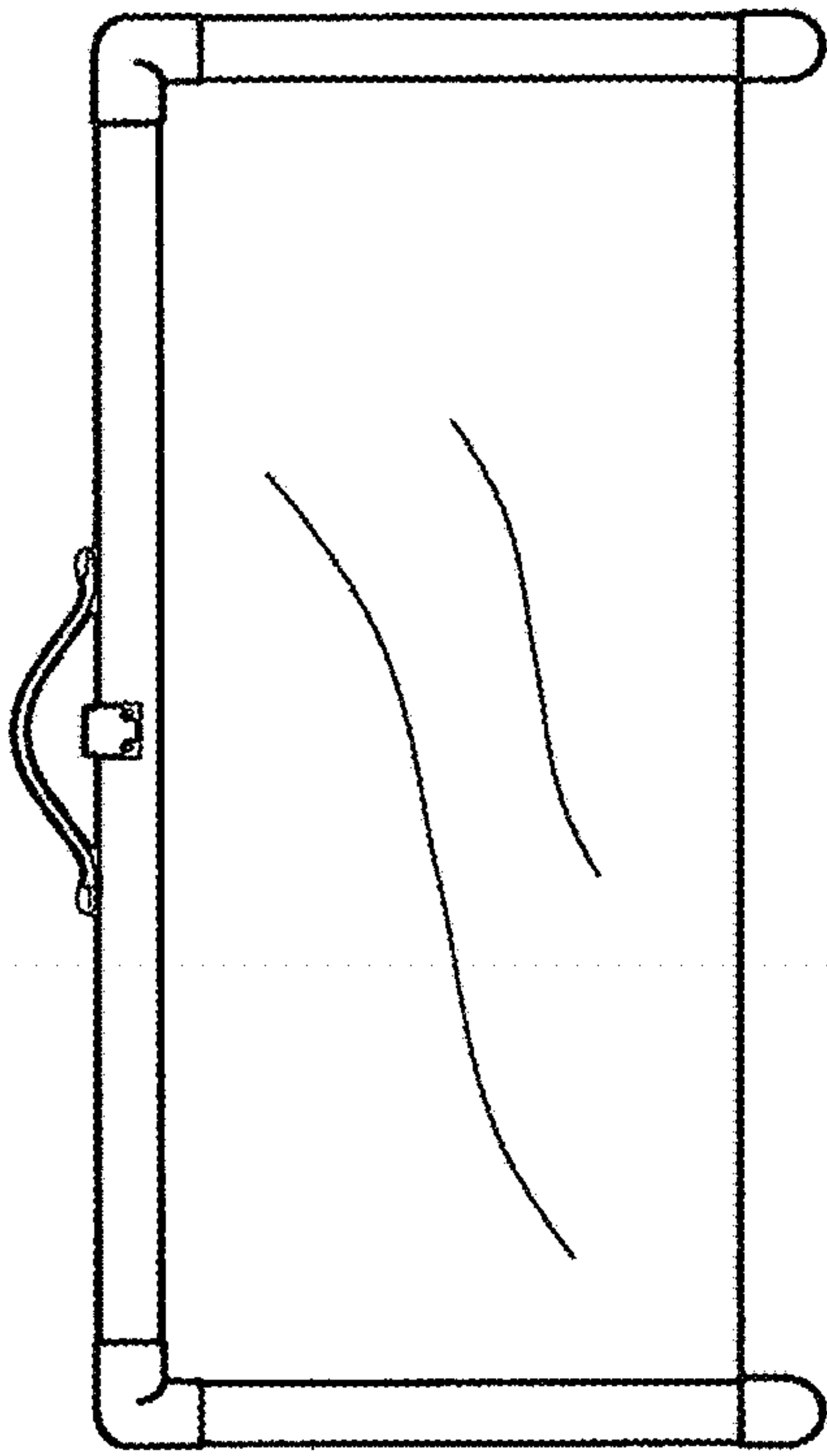


FIG. 8

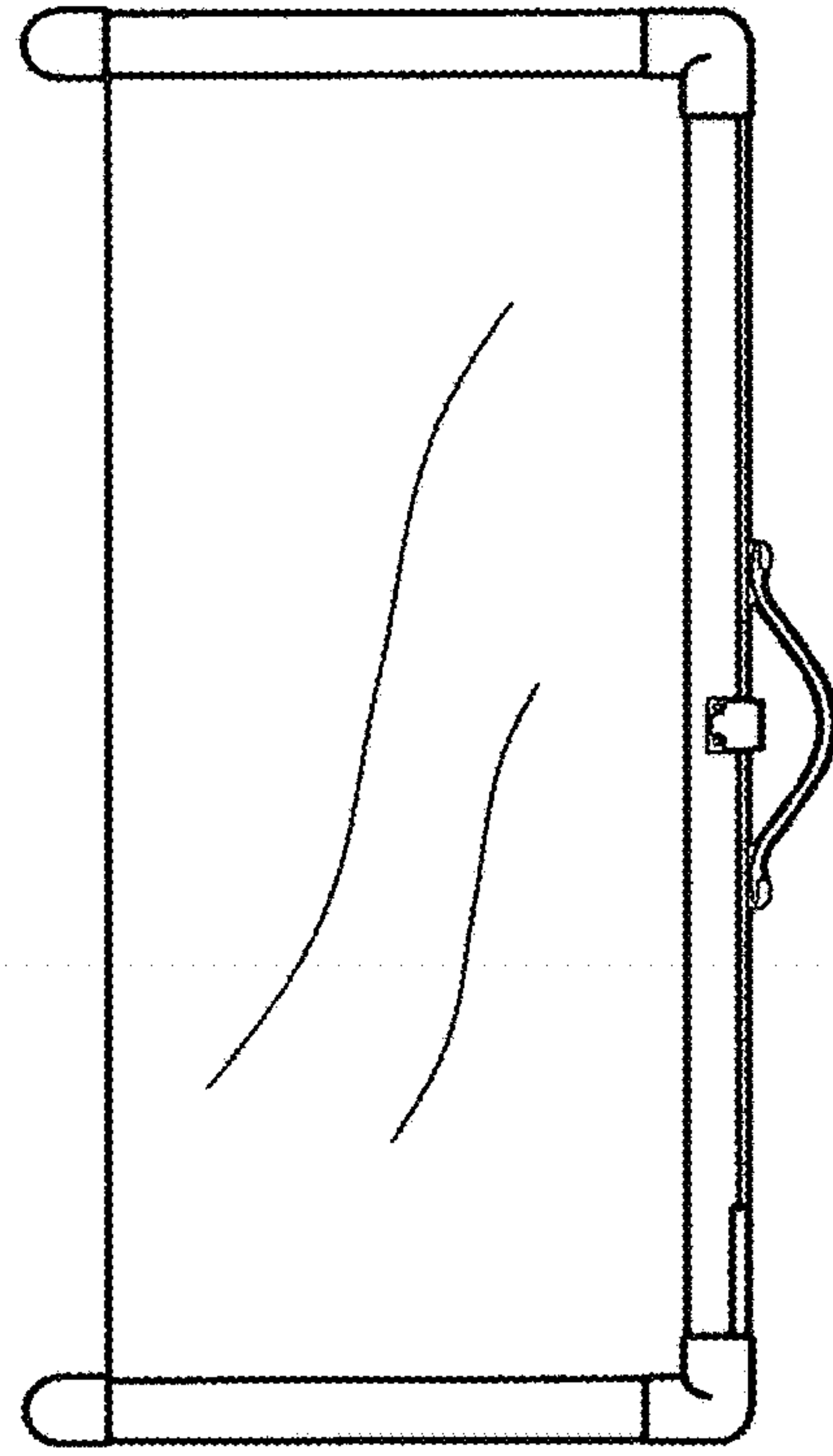


FIG. 9

FIG. 10

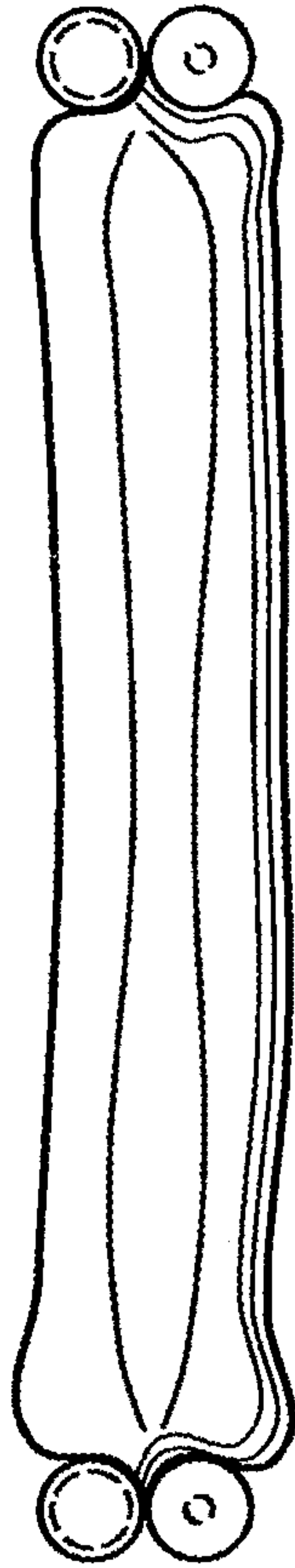


FIG. 11

