



US00D787576S

(12) **United States Design Patent**  
**Carstens et al.**

(10) **Patent No.:** **US D787,576 S**

(45) **Date of Patent:** **\*\* May 23, 2017**

(54) **PUNCH WITH LOCATING FINGERS**

(71) Applicant: **Stolle Machinery Company, LLC**,  
Centennial, CO (US)

(72) Inventors: **Aaron Emmanuel Carstens**,  
Centerville, OH (US); **James Ardel**  
**McClung**, Canton, OH (US); **Paul L.**  
**Ripple**, Canton, OH (US); **Edward E.**  
**Donaldson**, North Canton, OH (US)

(73) Assignee: **STOLLE MACHINERY COMPANY,**  
**LLC**, Centennial, CO (US)

(\*\*) Term: **15 Years**

(21) Appl. No.: **29/556,486**

(22) Filed: **Mar. 1, 2016**

(51) **LOC (10) Cl.** ..... **15-09**

(52) **U.S. Cl.**  
USPC ..... **D15/128**

(58) **Field of Classification Search**  
USPC ..... D15/128, 138; D19/65, 72  
CPC ..... B25B 15/005; B23C 3/35; B23C 2235/28;  
B23C 2235/41; B21D 22/02; B21D  
28/34; B21D 28/005; B21D 28/346;  
B21D 37/04; B21D 37/205  
See application file for complete search history.

(56) **References Cited**

**U.S. PATENT DOCUMENTS**

D185,589 S *	6/1959	Allan, Jr. ....	D15/123
D218,910 S *	10/1970	Gargrave ....	D15/140
D240,497 S *	7/1976	Riba ....	D8/18
4,903,521 A	2/1990	Bulso, Jr. et al.	
D351,395 S *	10/1994	Moellering ....	D15/140
5,690,203 A *	11/1997	Link ....	F16D 13/757 192/111.3

5,934,429 A *	8/1999	Jennings .....	F16D 13/757 192/111.3
6,109,412 A *	8/2000	Cole .....	F16D 13/757 192/111.3
D440,138 S *	4/2001	Campbell .....	D8/71
D458,308 S *	6/2002	Hsuan .....	D19/65
6,931,905 B2	8/2005	Rubalcava et al.	
D592,685 S *	5/2009	Ferry .....	D15/128
D599,386 S *	9/2009	Moellering .....	D15/140
7,690,130 B1 *	4/2010	Risinger .....	G01B 3/22 33/549

(Continued)

*Primary Examiner* — Patricia Palasik

(74) *Attorney, Agent, or Firm* — Eckert Seamans Cherin  
& Mellott, LLC; David C. Jenkins

(57) **CLAIM**

The ornamental design for a punch with locating fingers, as shown and described.

**DESCRIPTION**

This application is related to commonly assigned, and concurrently filed, U.S. Design patent application Ser. No. 29/556,489, filed Mar. 1, 2016, entitled Locating Fingers, which is incorporated by reference.

FIG. 1 is an isometric view of the punch with locating fingers;

FIG. 2 is another isometric view of the punch with locating fingers;

FIG. 3 is a left side view of the punch with locating fingers;

FIG. 4 is a right side view of the punch with locating fingers;

FIG. 5 is a front view of the punch with locating fingers;

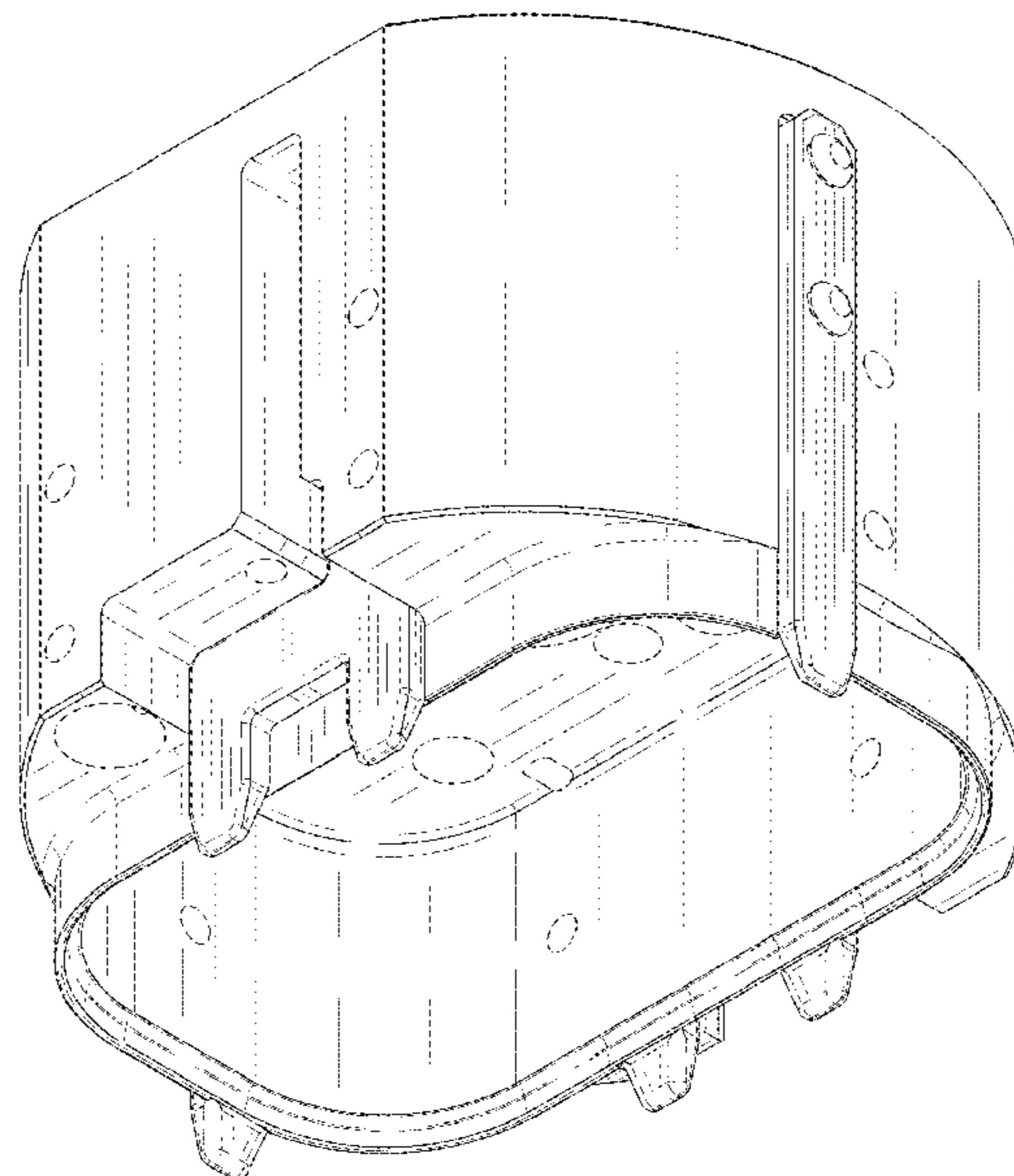
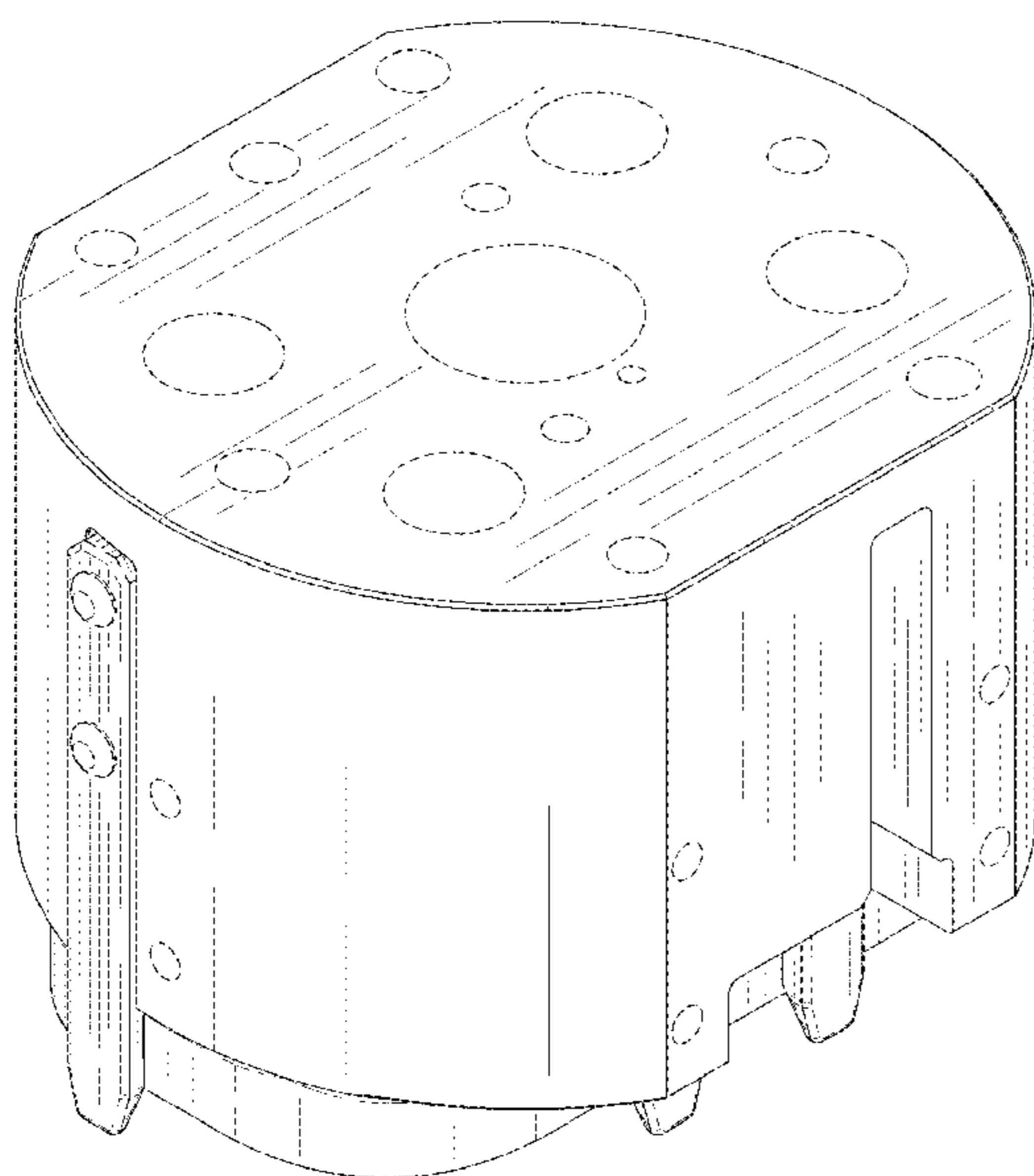
FIG. 6 is a back view of the punch with locating fingers;

FIG. 7 is a top view of the punch with locating fingers; and,

FIG. 8 is a bottom view of the punch with locating fingers.

The broken lines in the drawings depict unclaimed environmental subject matter.

**1 Claim, 8 Drawing Sheets**



(56)

**References Cited**

U.S. PATENT DOCUMENTS

D690,332	S *	9/2013	Morehead	.....	B21D 28/34	
						D15/128
D719,590	S *	12/2014	Johnston	.....	D15/128	
2003/0027699	A1 *	2/2003	Brodie	.....	B21D 37/04	
						483/28
2004/0045424	A1 *	3/2004	Ikeda	.....	B21D 28/12	
						83/684
2006/0229133	A1 *	10/2006	Lin	.....	B25B 15/005	
						470/63
2007/0005072	A1 *	1/2007	Castillo	.....	A61B 17/1671	
						606/79
2007/0068352	A1 *	3/2007	Morgan	.....	B21D 28/34	
						83/140
2007/0180723	A1 *	8/2007	Morgan	.....	B21D 28/125	
						33/645
2008/0295562	A1 *	12/2008	Straka	.....	B21D 22/02	
						72/333
2008/0314220	A1 *	12/2008	Ferry	.....	B44B 5/0057	
						83/684
2010/0139470	A1 *	6/2010	Buettner	.....	B21D 28/12	
						83/681
2011/0086122	A1 *	4/2011	Cai	.....	B21D 28/34	
						425/195
2014/0109742	A1 *	4/2014	Elsmore	.....	B21D 28/346	
						83/138
2015/0050094	A1	2/2015	Gerlings			
2016/0375479	A1 *	12/2016	Ishikawa	.....	B21D 37/205	
						72/329

\* cited by examiner

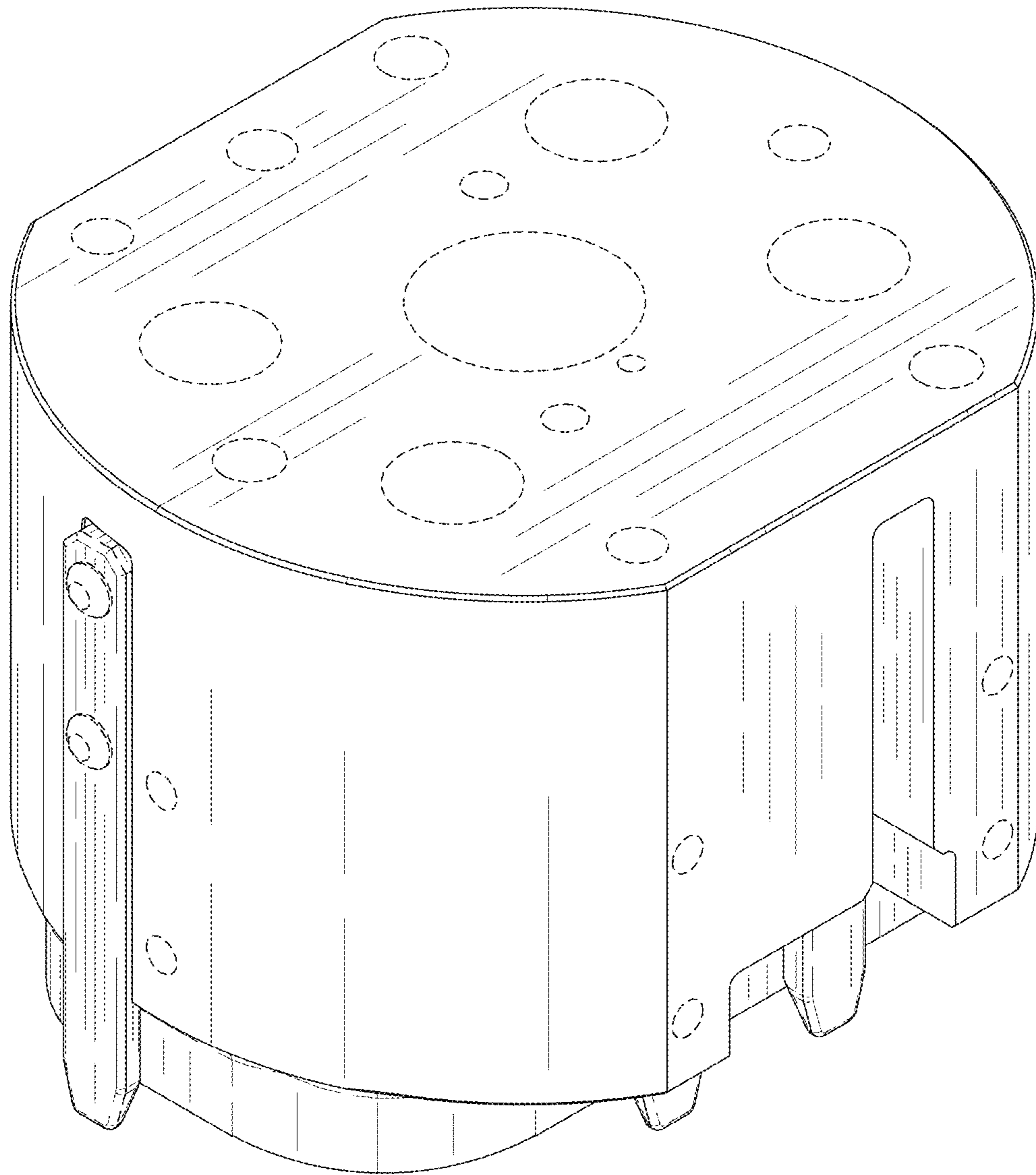


FIG. 1

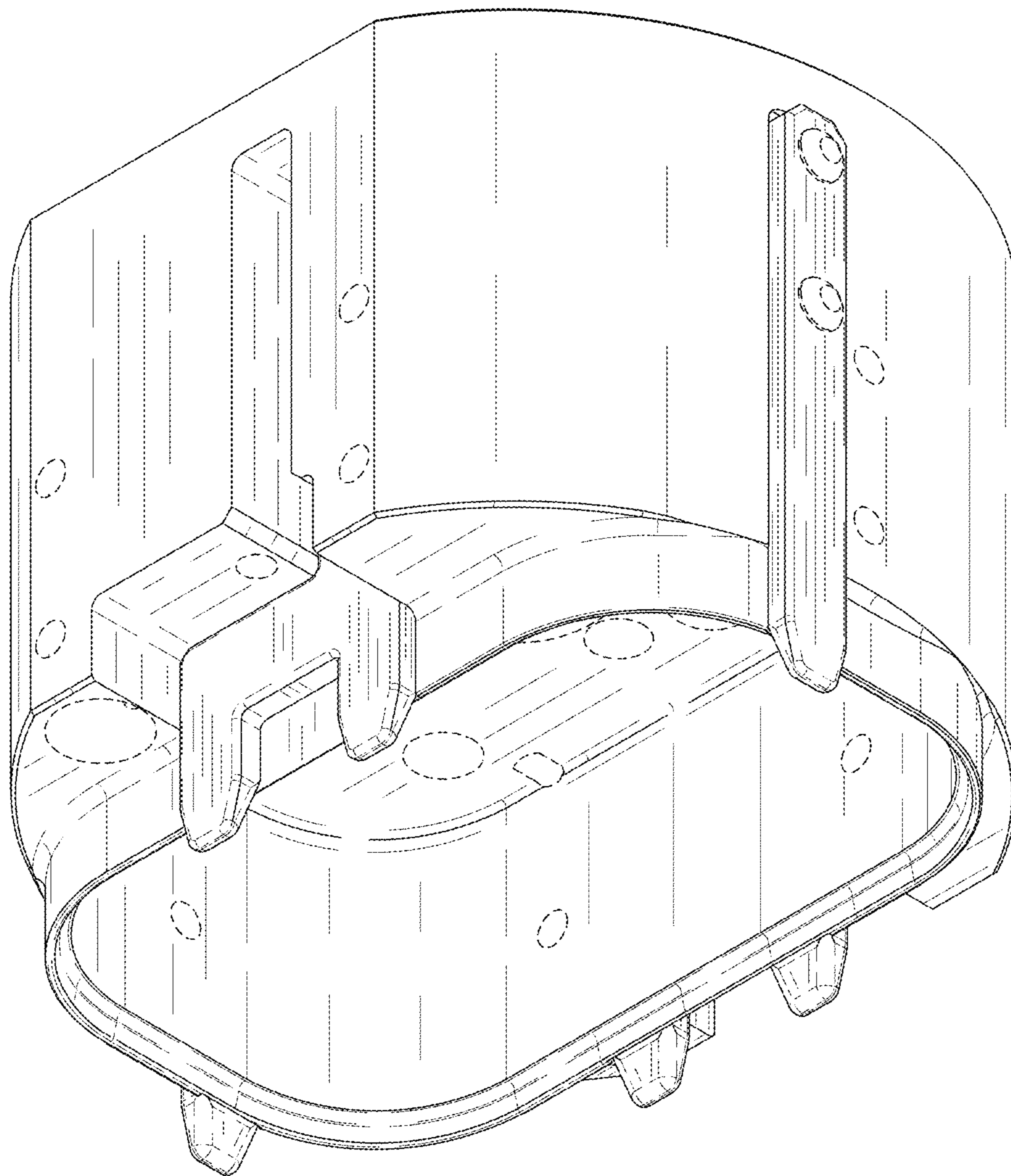
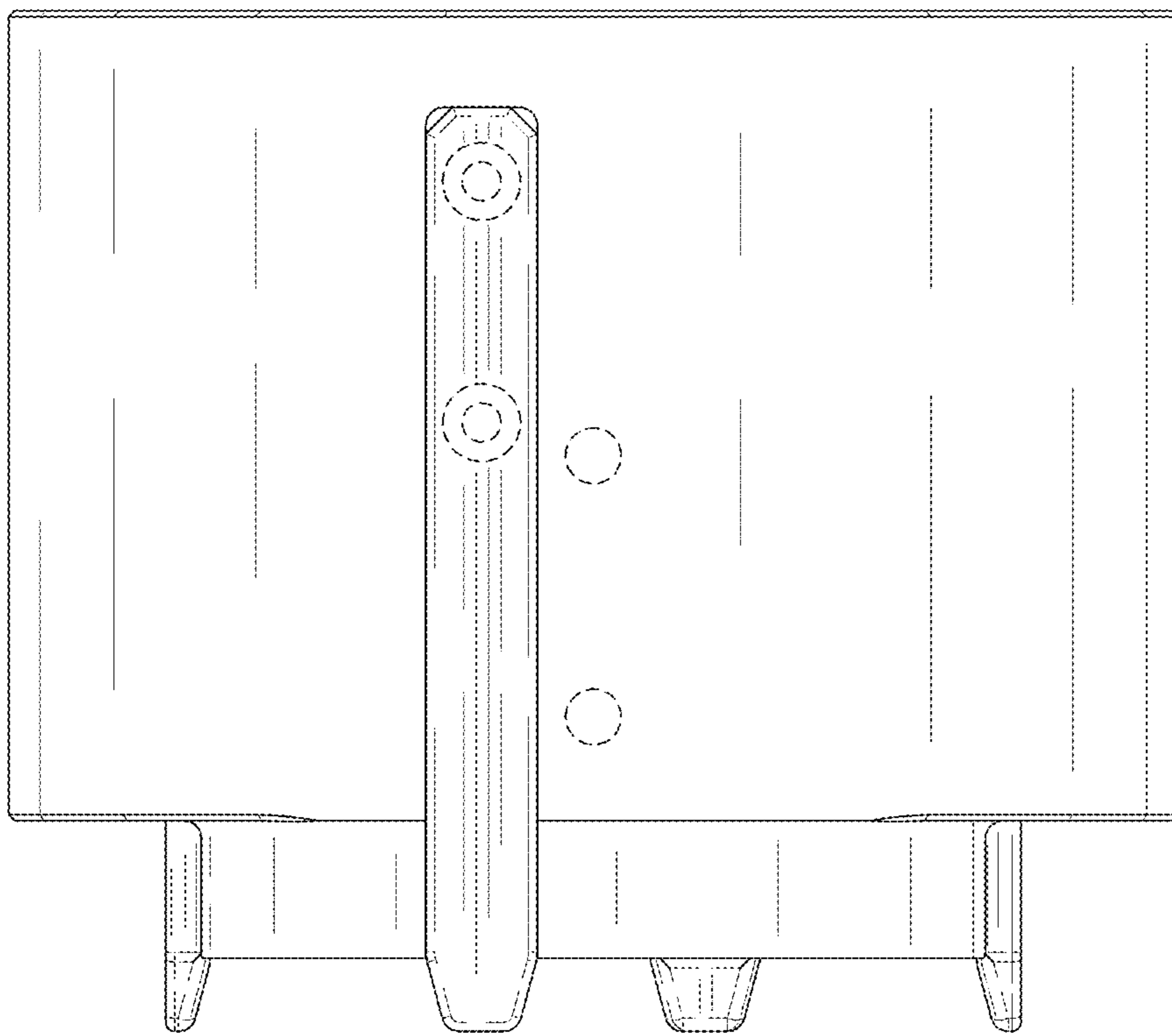


FIG. 2



*FIG. 3*

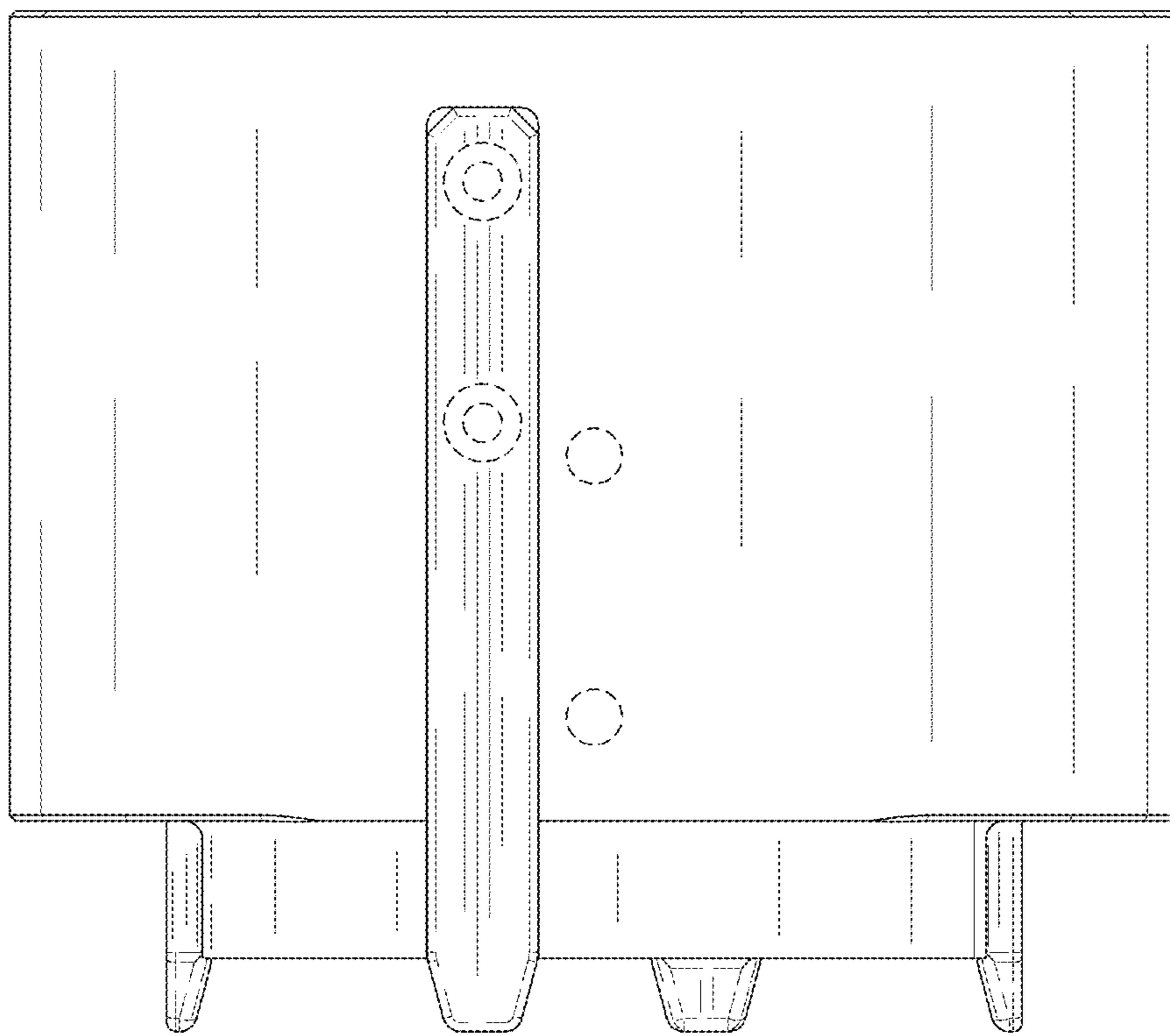


FIG. 4

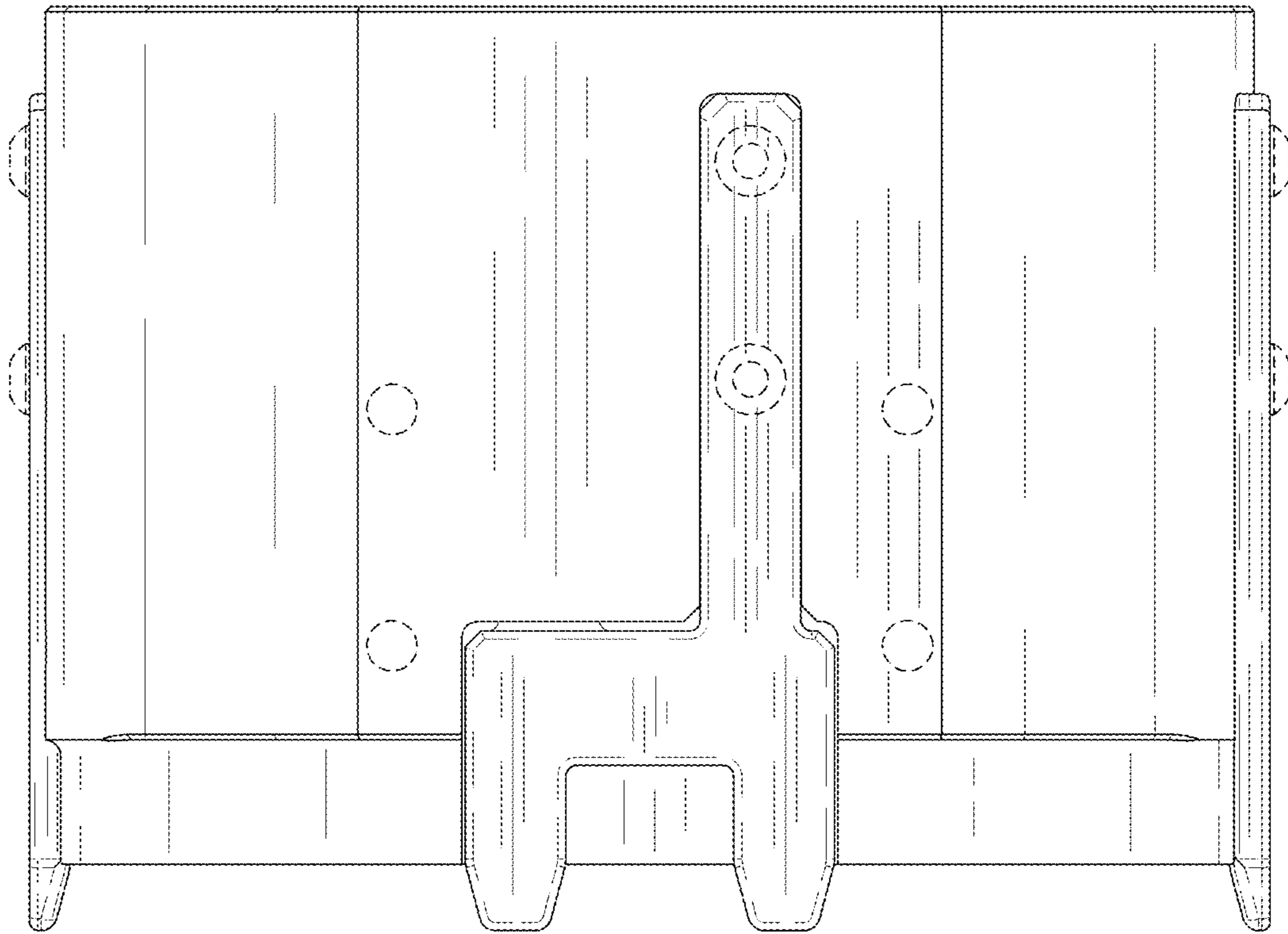


FIG. 5

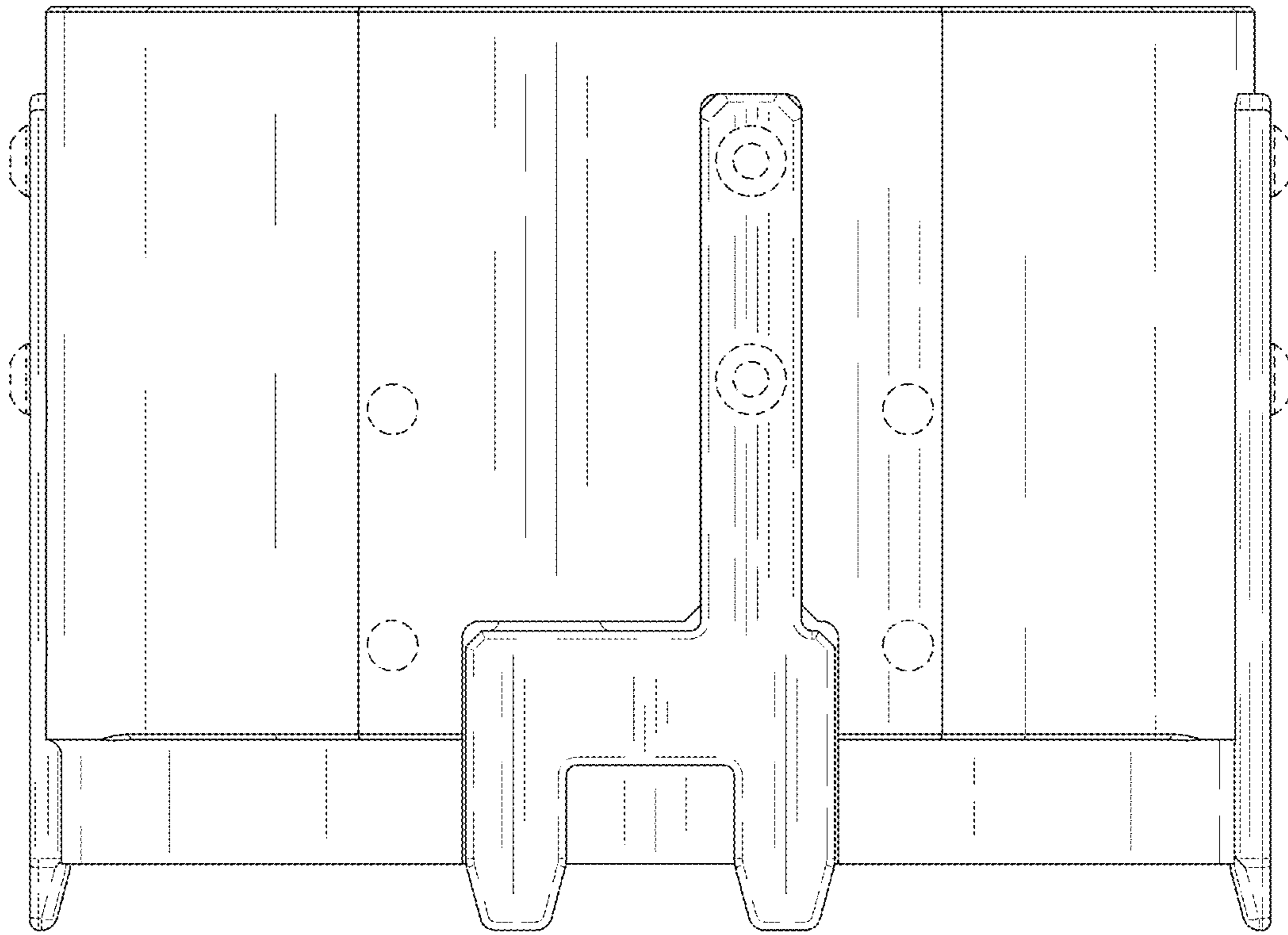


FIG. 6



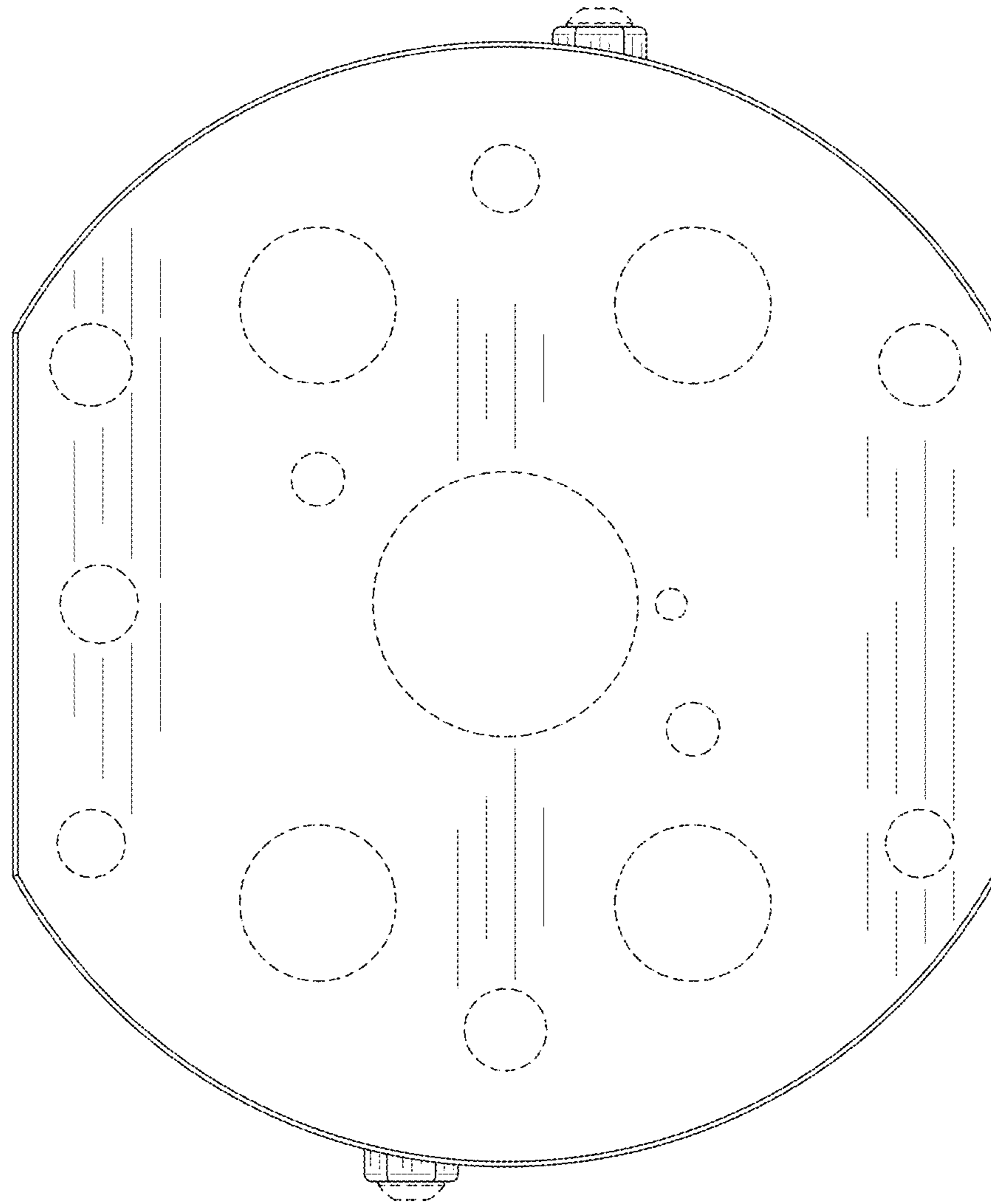


FIG. 7

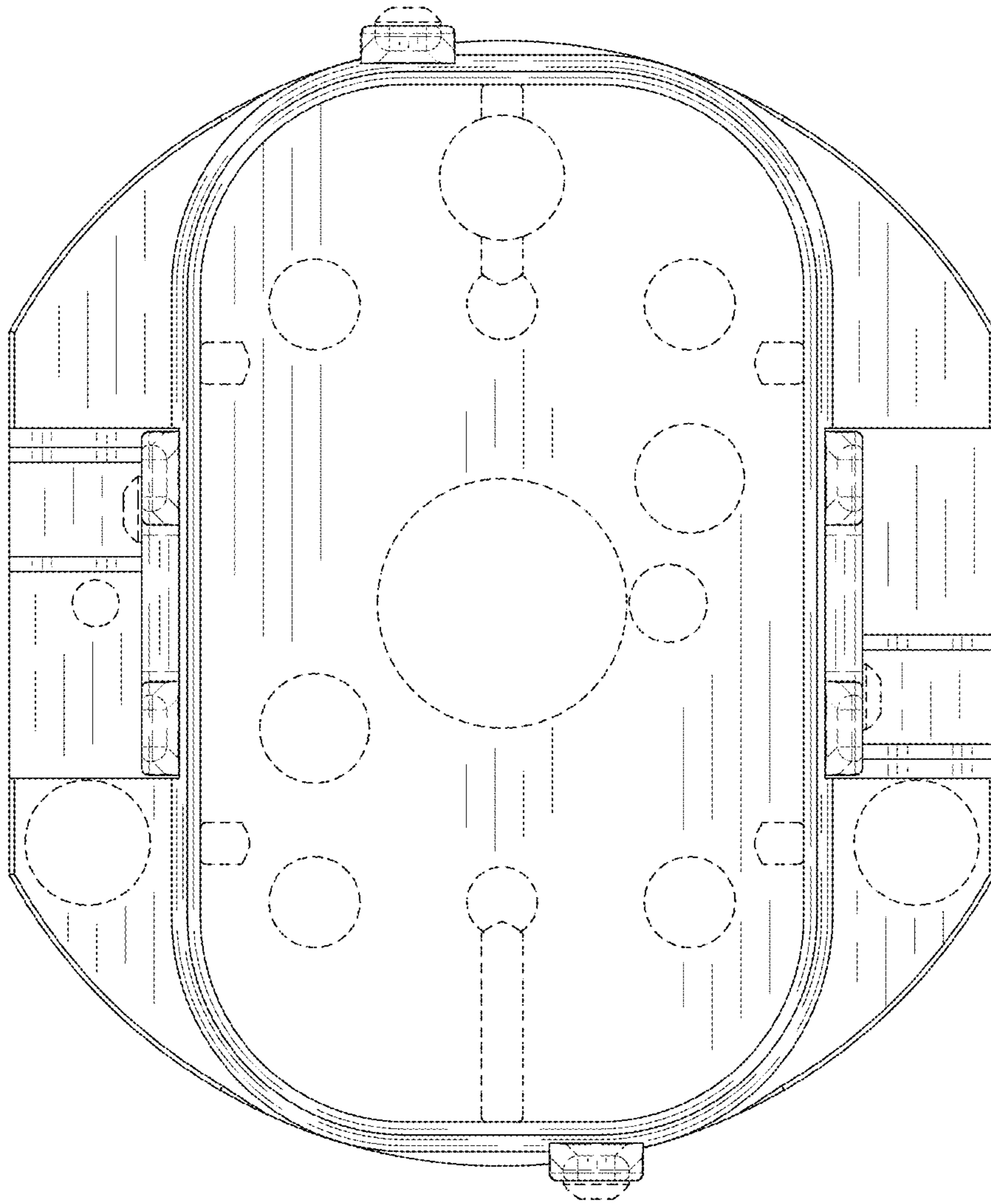


FIG. 8