



US00D787575S

(12) **United States Design Patent** (10) **Patent No.:** **US D787,575 S**
Ferretti (45) **Date of Patent:** **** May 23, 2017**

(54) **ELECTRONIC KEY DUPLICATOR**

(71) Applicant: **Keyline S.P.A.**, Conegliano (IT)

(72) Inventor: **Rino Ferretti**, Chiavari (IT)

(73) Assignee: **Keyline S.P.A.**, Conegliano (IT)

(**) Term: **15 Years**

(21) Appl. No.: **29/533,283**

(22) Filed: **Jul. 15, 2015**

(30) **Foreign Application Priority Data**

Jan. 16, 2015 (EP) 002614727-0002

(51) **LOC (10) Cl.** **15-09**

(52) **U.S. Cl.**
USPC **D15/127**

(58) **Field of Classification Search**
USPC D15/127, 128; D14/370, 434-435, 437,
D14/432, 356; D13/107-108
CPC A01K 15/023; A45C 11/32; H02J 7/0042
See application file for complete search history.

(56) **References Cited**

U.S. PATENT DOCUMENTS

D475,054 S *	5/2003	Blackwood	D14/434
D488,439 S *	4/2004	Orthey	D13/107
D580,855 S *	11/2008	Haspil	D13/108
D623,641 S *	9/2010	Harden	D14/253
D631,006 S *	1/2011	Fahrendorff	D13/108
D633,038 S *	2/2011	Fahrendorff	D13/108
D668,218 S *	10/2012	Dai	D13/107
D691,947 S *	10/2013	Cole	D13/108
D715,368 S *	10/2014	Levin	D21/398

D751,525 S *	3/2016	Lewis	D14/148
D765,623 S *	9/2016	Yang	D14/224
2016/0072324 A1 *	3/2016	Touchton	H02J 7/0042 320/107
2016/0143405 A1 *	5/2016	Biba	A45C 11/32 206/37.1

OTHER PUBLICATIONS

Keyline 884 Mini. Published Jul. 24, 2015. [retrieved on Sep. 26, 2016]. Retrieved from the Internet <URL: <https://www.youtube.com/watch?v=867xfHimTzE>>.*

* cited by examiner

Primary Examiner — Rosemary K Tarcza

Assistant Examiner — Nathaniel D Buckner

(74) *Attorney, Agent, or Firm* — Stetina Brunda Garred & Brucker

(57) **CLAIM**

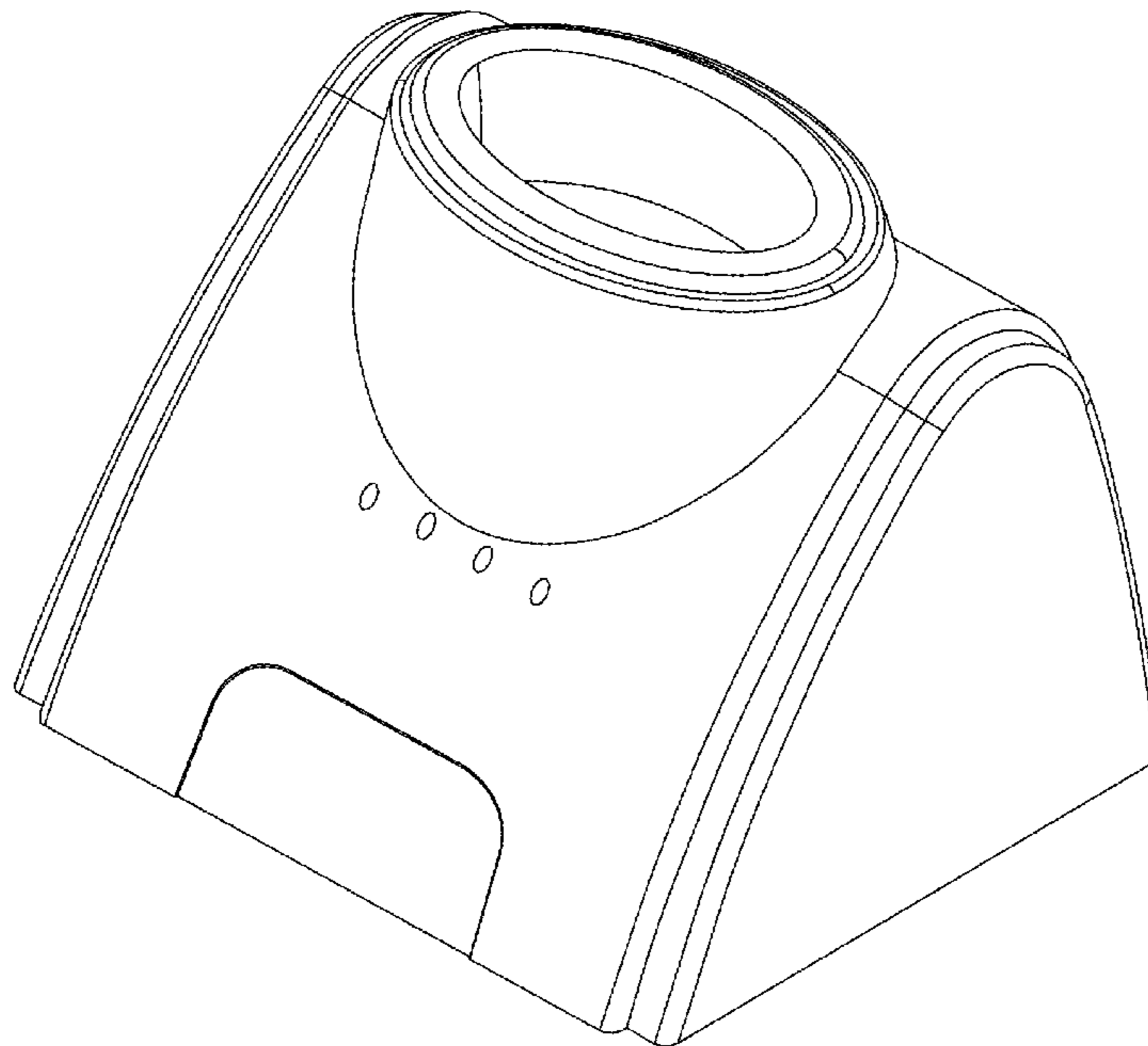
The ornamental design for an electronic key duplicator, as shown and described.

DESCRIPTION

FIG. 1 is a front perspective view of the electronic key duplicator of the present invention showing the new design; FIG. 2 is a front elevational view thereof; FIG. 3 is a right view thereof; FIG. 4 is a rear elevational view thereof; FIG. 5 is a left side view thereof; FIG. 6 is a top plan view thereof; and, FIG. 7 is a bottom plan view thereof.

The broken lines present in the figures are included for the purpose of illustrating portions of the article that form no part of the claimed design.

1 Claim, 7 Drawing Sheets



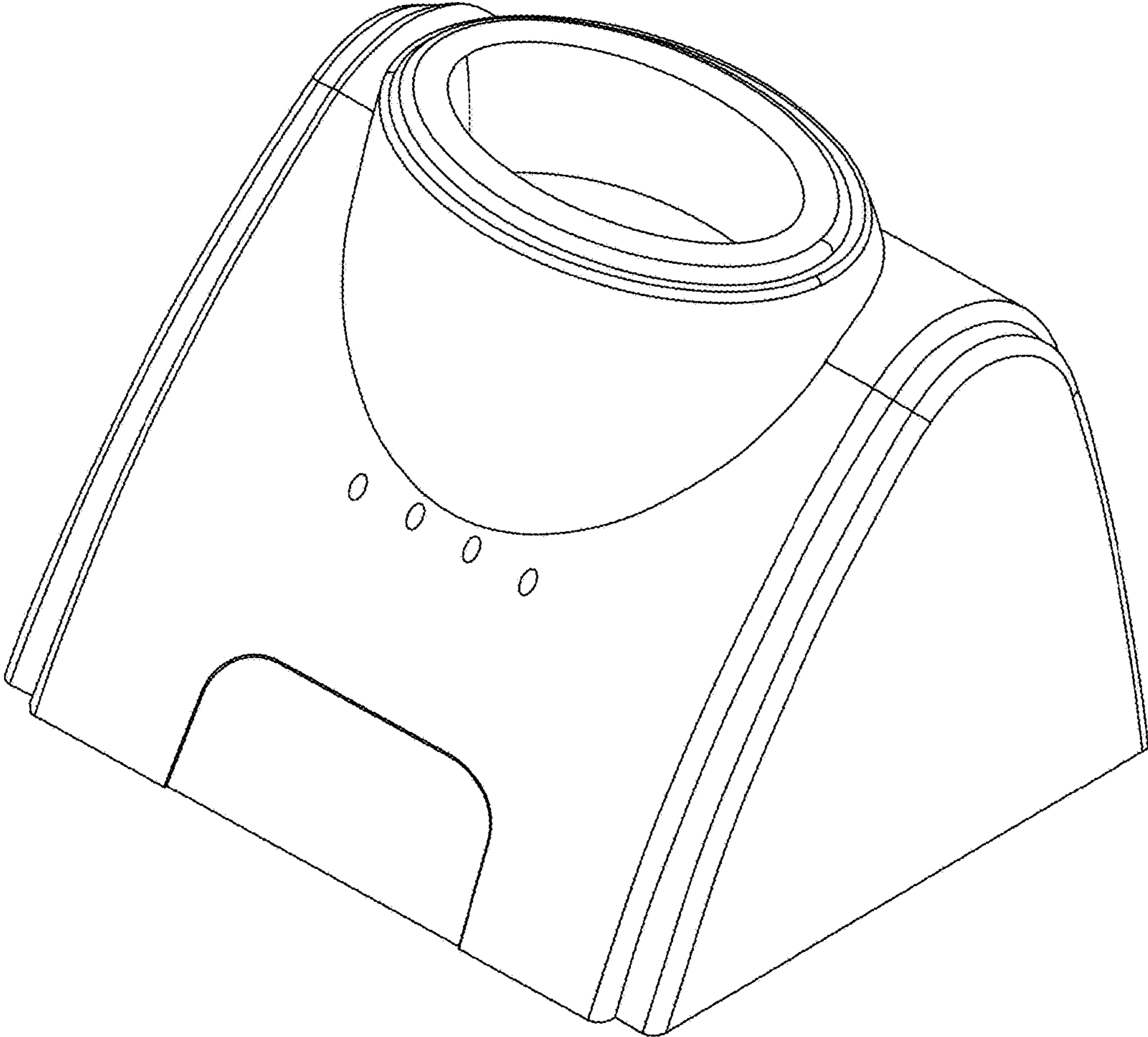


Fig. 1

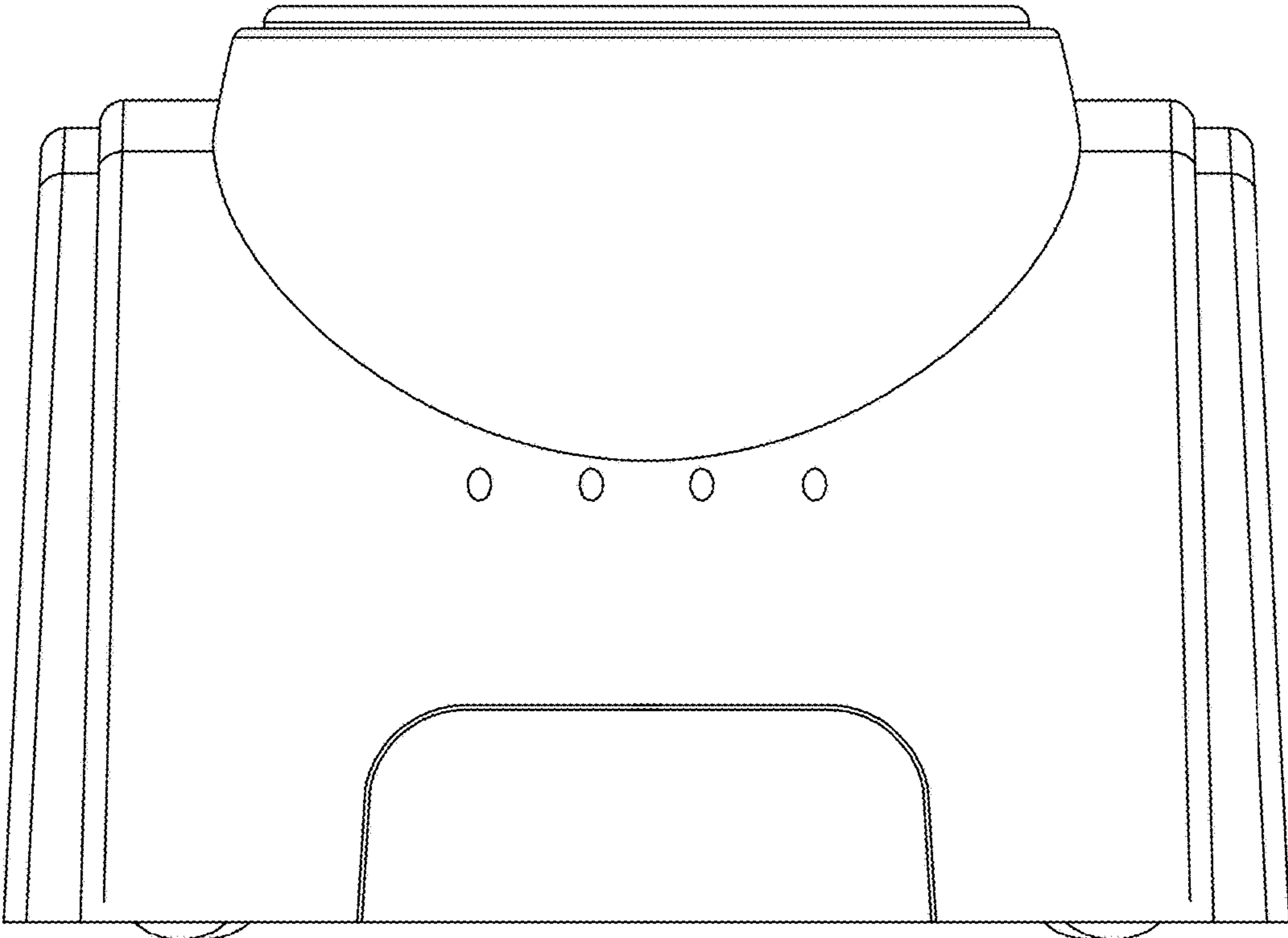


Fig. 2

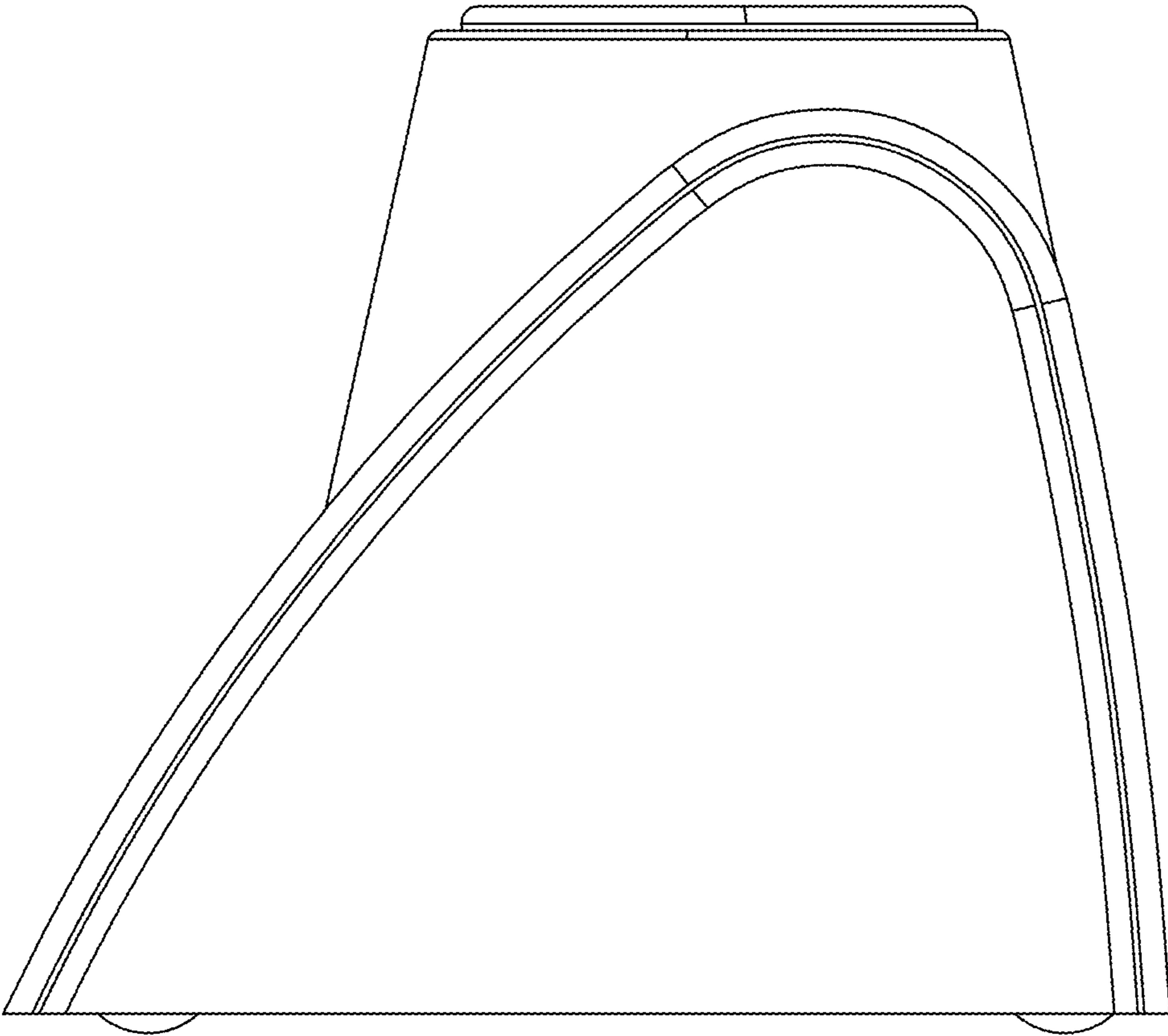


Fig. 3

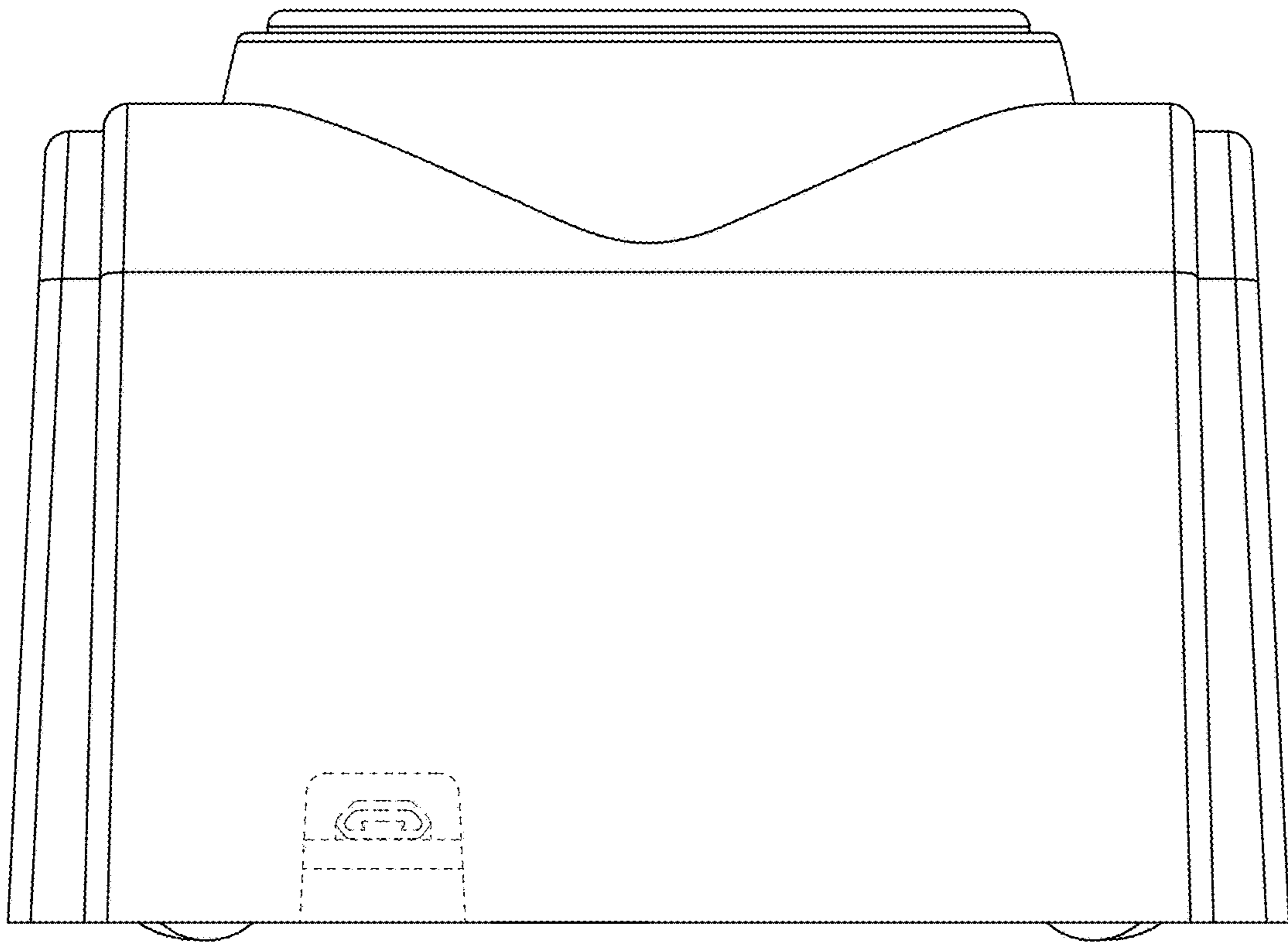


Fig. 4

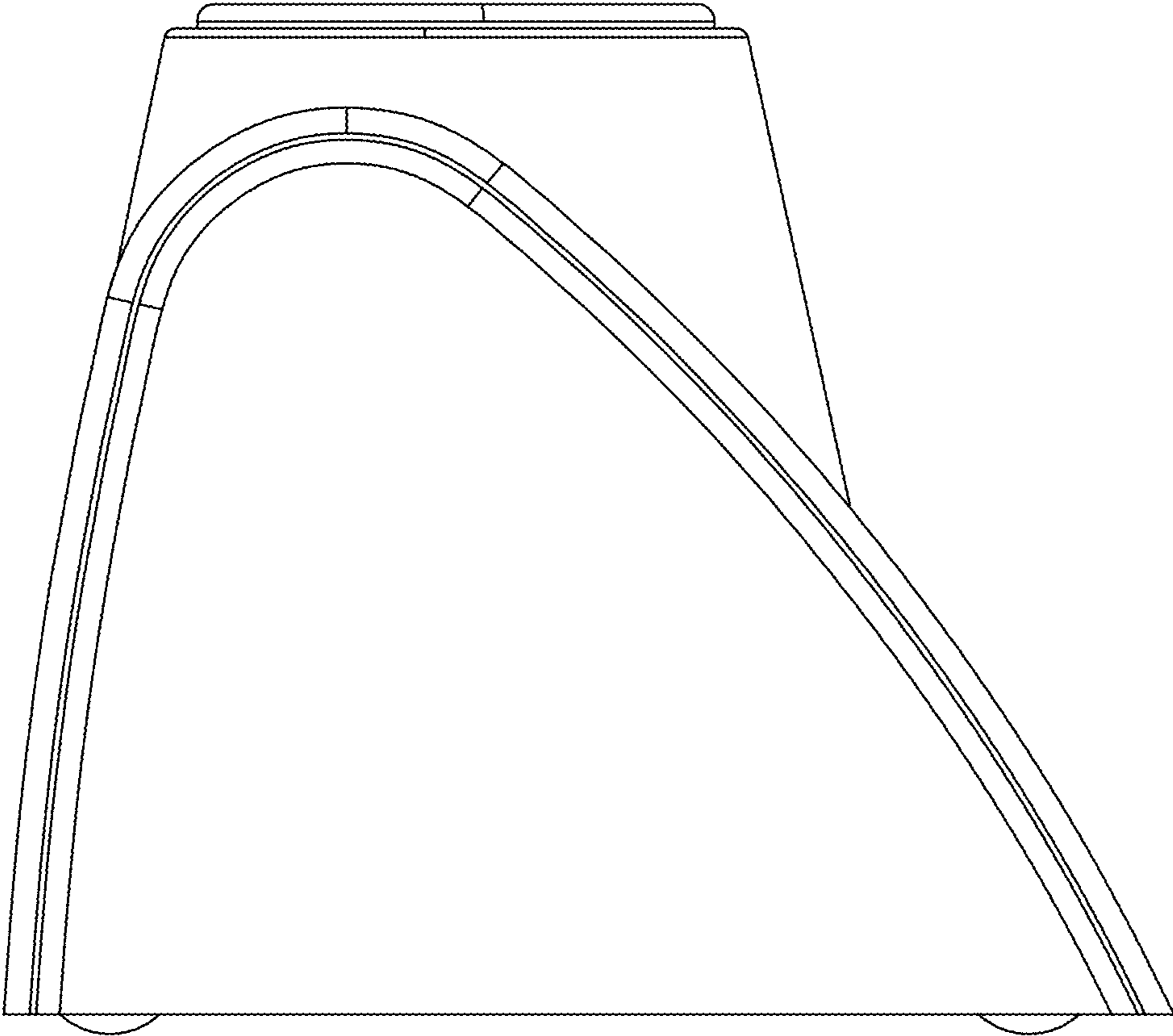


Fig. 5

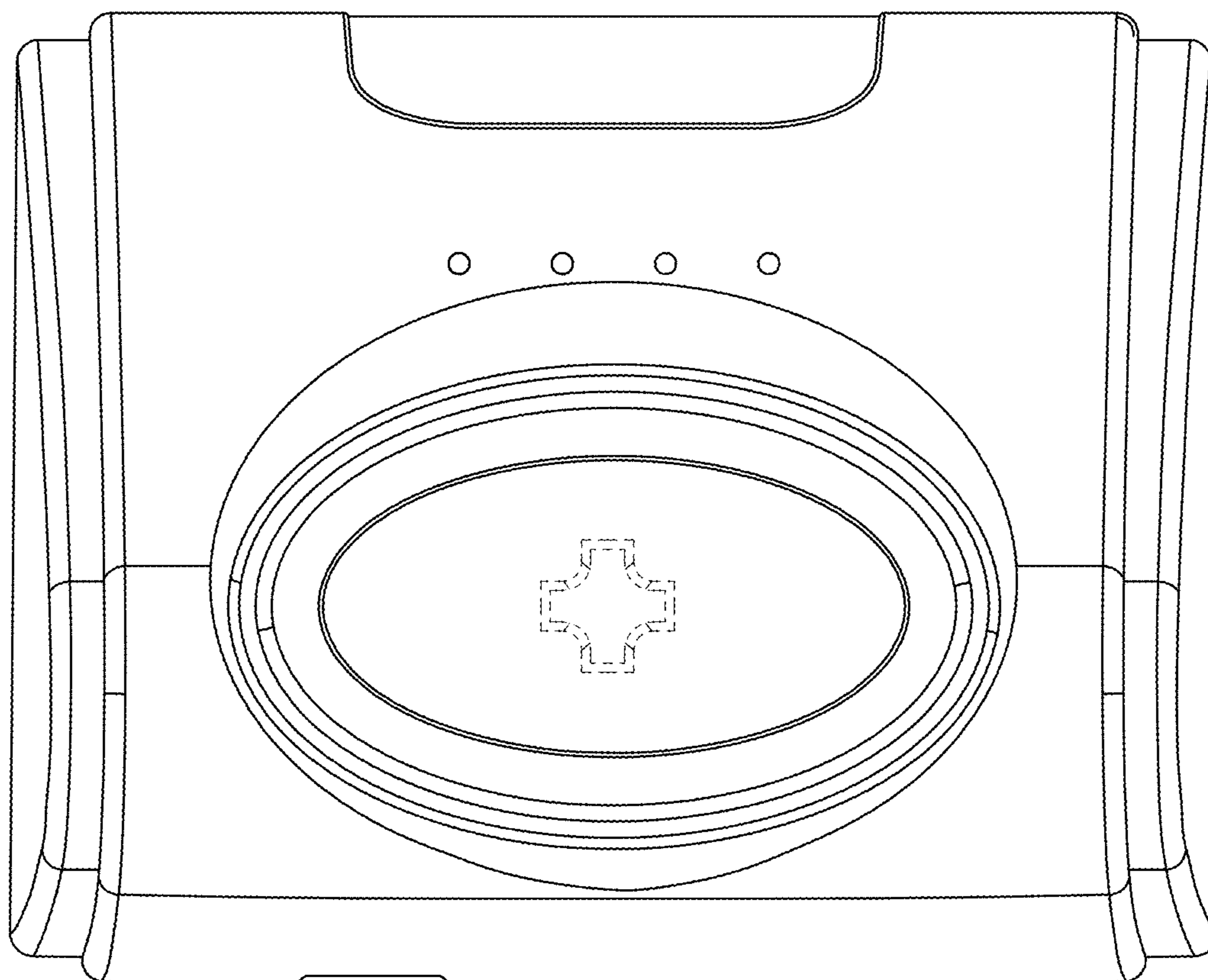


Fig. 6

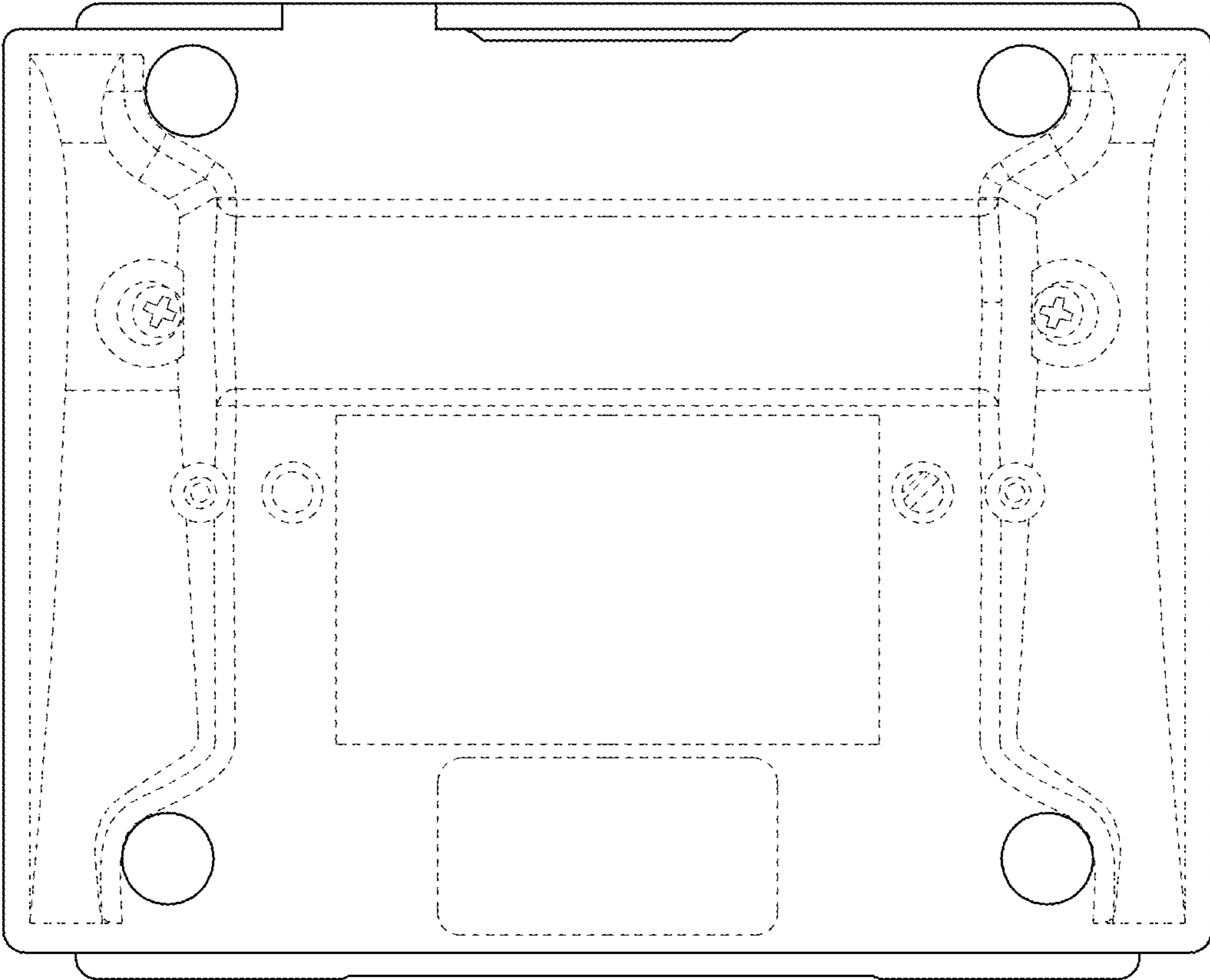


Fig. 7