



US00D787574S

(12) **United States Design Patent**
Lee et al.

(10) **Patent No.: US D787,574 S**

(45) **Date of Patent: ** May 23, 2017**

(54) **3D PRINTER**

(71) Applicants: **XYZPRINTING, INC.**, New Taipei (TW); **KINPO ELECTRONICS, INC.**, New Taipei (TW)

(72) Inventors: **Yang-Teh Lee**, New Taipei (TW); **Jia-Yi Juang**, New Taipei (TW); **Chun-Hsiang Huang**, New Taipei (TW); **Chun-Heng Ou**, New Taipei (TW); **Kwei-Jui Teng**, New Taipei (TW); **Yi-Chu Hsieh**, New Taipei (TW); **Pin-Hsuan Wu**, New Taipei (TW); **Hong-Chuan Yeh**, New Taipei (TW)

(73) Assignees: **XYZPRINTING, INC.**, New Taipei (TW); **KINPO ELECTRONICS, INC.**, New Taipei (TW)

(**) Term: **15 Years**

(21) Appl. No.: **29/566,474**

(22) Filed: **May 31, 2016**

(51) **LOC (10) Cl.** **15-09**

(52) **U.S. Cl.**
USPC **D15/122**

(58) **Field of Classification Search**
USPC D14/420-425; D18/14, 19, 36-39, 50, D18/53, 54, 54.1, 55; D15/122, 135
CPC B33Y 10/00; B33Y 30/00; B33Y 80/00; B33Y 50/02; B33Y 50/00; B33Y 70/00; B33Y 40/00; B29C 67/0055; B29C 67/0088; B29C 67/0059; B29C 67/0085; B29C 67/0092; B29C 67/0051; B29C 67/0077; B29C 67/0081; B29C 2947/92571; B29C 47/0004; B29C 47/0014; B29C 47/0813; B29C 47/92; B29C 67/007; B29C 67/0096; B29C 2043/182; B29C 2043/189; B29C 2793/0081; B29C 2793/009; B29C 2947/9258; B29C 2947/92704; B29C

2947/92904; B29C 35/0805; B29C 43/18; B29C 44/1271; B29C 45/14819; B29C 47/0002; B29C 47/0066; B29C 47/026; B29C 47/0801; B29C 47/0811; B29C 47/1045; B29C 47/48; B29C 47/522; B29C 47/786; B29C 47/86; B29C 47/862; B29C 67/0066; B29C 67/0074

See application file for complete search history.

(56) **References Cited**

U.S. PATENT DOCUMENTS

D703,735 S * 4/2014 Best D18/50
D711,463 S * 8/2014 Costabeber D14/300
D729,309 S * 5/2015 Jun D18/50

(Continued)

Primary Examiner — Ian Simmons

Assistant Examiner — Khawaja Anwar

(74) *Attorney, Agent, or Firm* — Chun-Ming Shih; HDLS IPR SERVICES

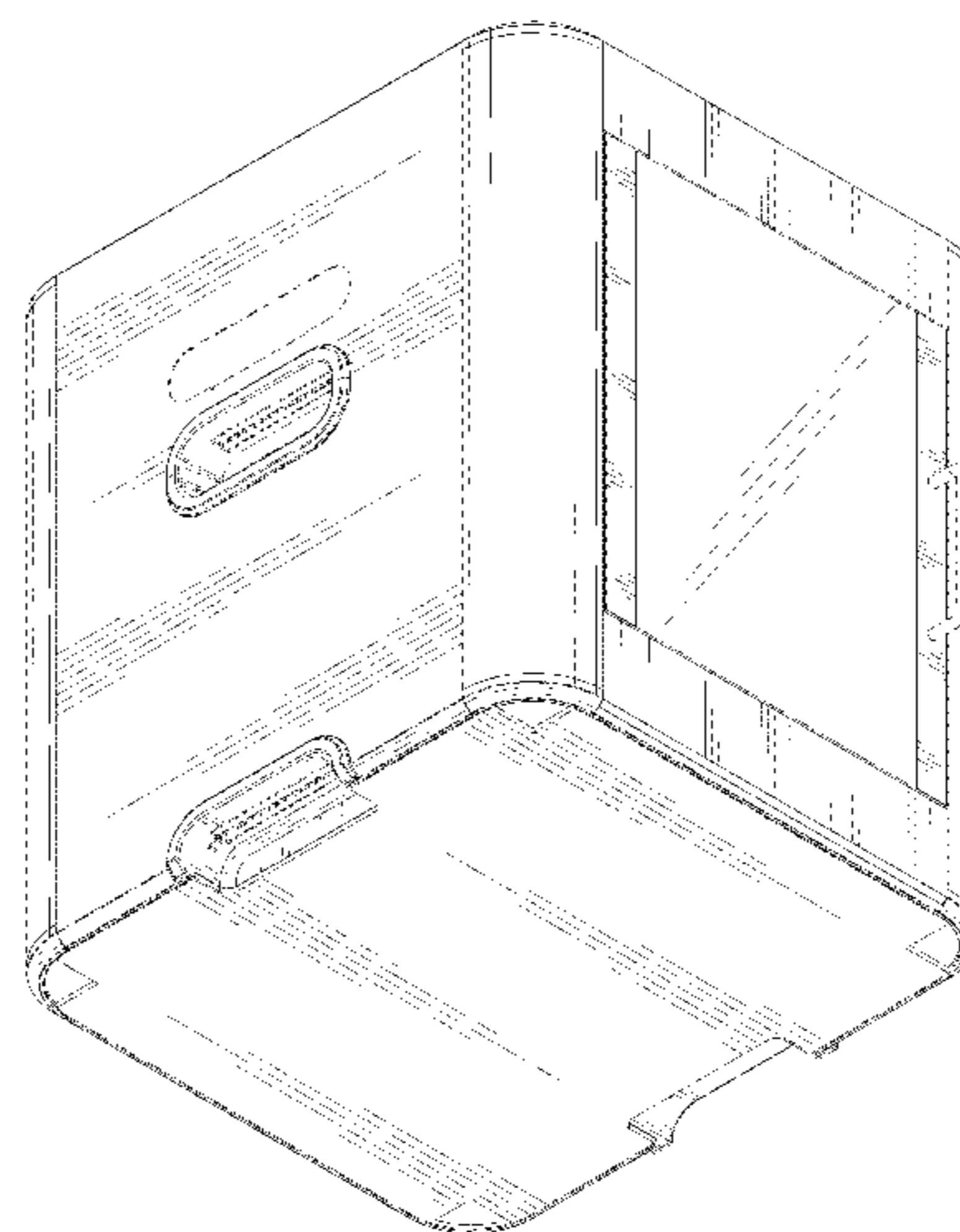
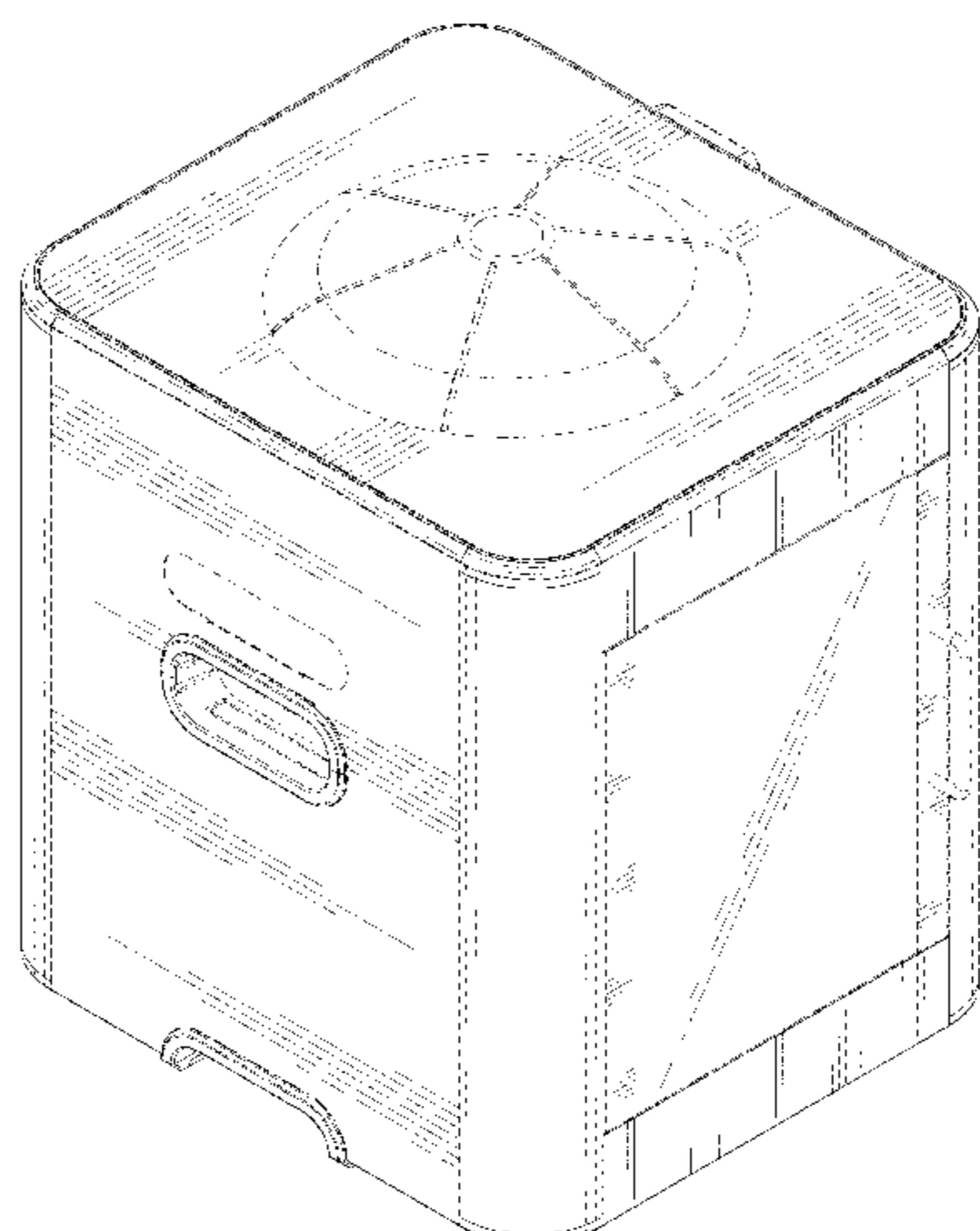
(57) **CLAIM**

The ornamental design for a 3D printer, as shown and described.

DESCRIPTION

FIG. 1 is a perspective view of a 3D printer showing our new design;
FIG. 2 is a front view thereof;
FIG. 3 is a rear view thereof;
FIG. 4 is a left side view thereof;
FIG. 5 is a right side view thereof;
FIG. 6 is a top view thereof;
FIG. 7 is a bottom view thereof; and
FIG. 8 is second perspective view showing the 3D printer; and,
FIG. 9 is third perspective view showing the 3D printer.
The broken lines shown represent unclaimed subject matter and form no part of the claimed design.

1 Claim, 9 Drawing Sheets



(56)

References Cited

U.S. PATENT DOCUMENTS

| | | | | | | |
|----------|---|---|---------|------------|-------|---------|
| D730,979 | S | * | 6/2015 | Anantha | | D18/50 |
| D734,814 | S | * | 7/2015 | Yeh | | D18/50 |
| D742,439 | S | * | 11/2015 | Kraibuhler | | D15/122 |
| D746,345 | S | * | 12/2015 | Kida | | D15/135 |
| D760,825 | S | * | 7/2016 | Solorzano | | D15/122 |
| D763,330 | S | * | 8/2016 | Olive | | D15/122 |

* cited by examiner

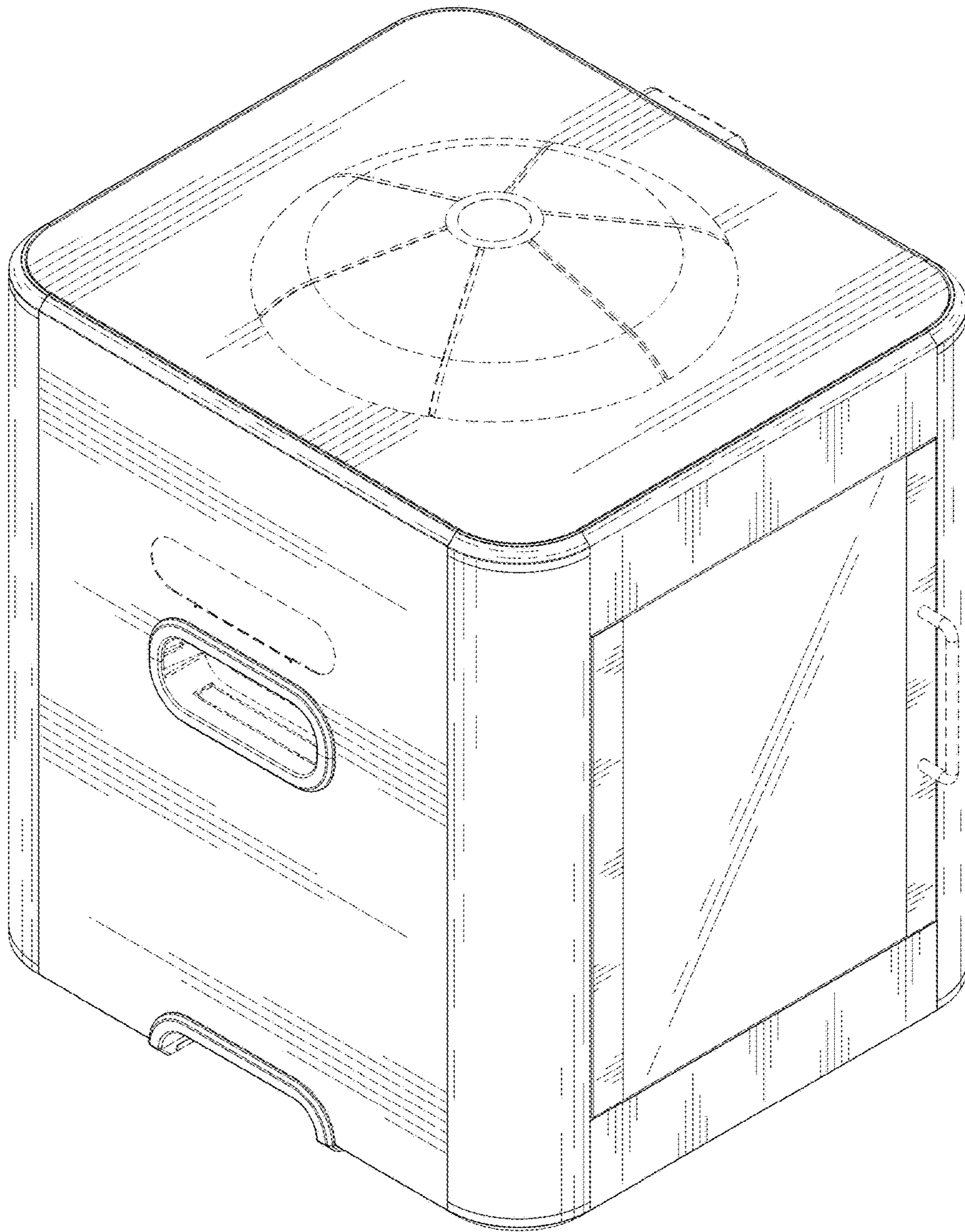


FIG.1

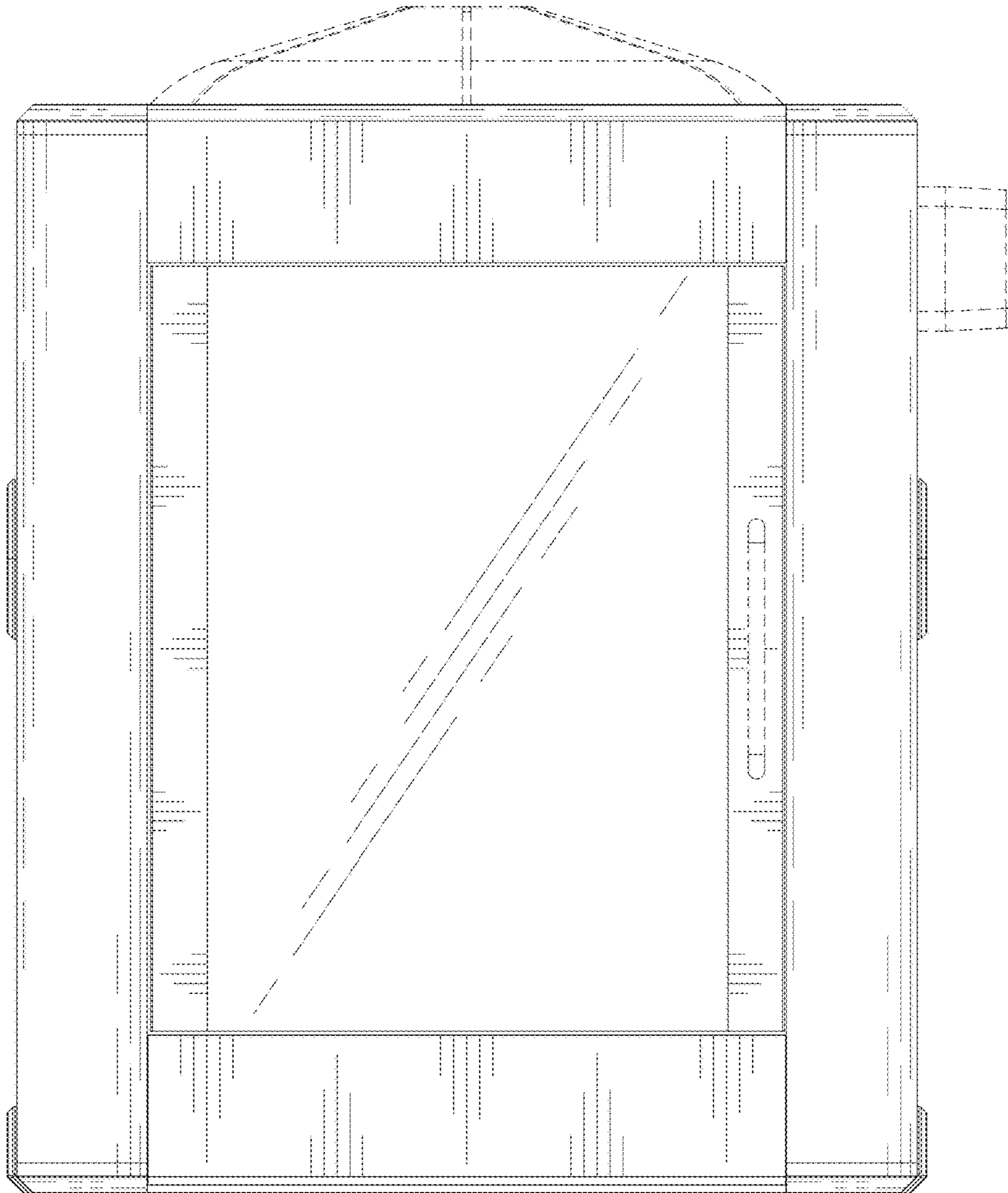


FIG.2

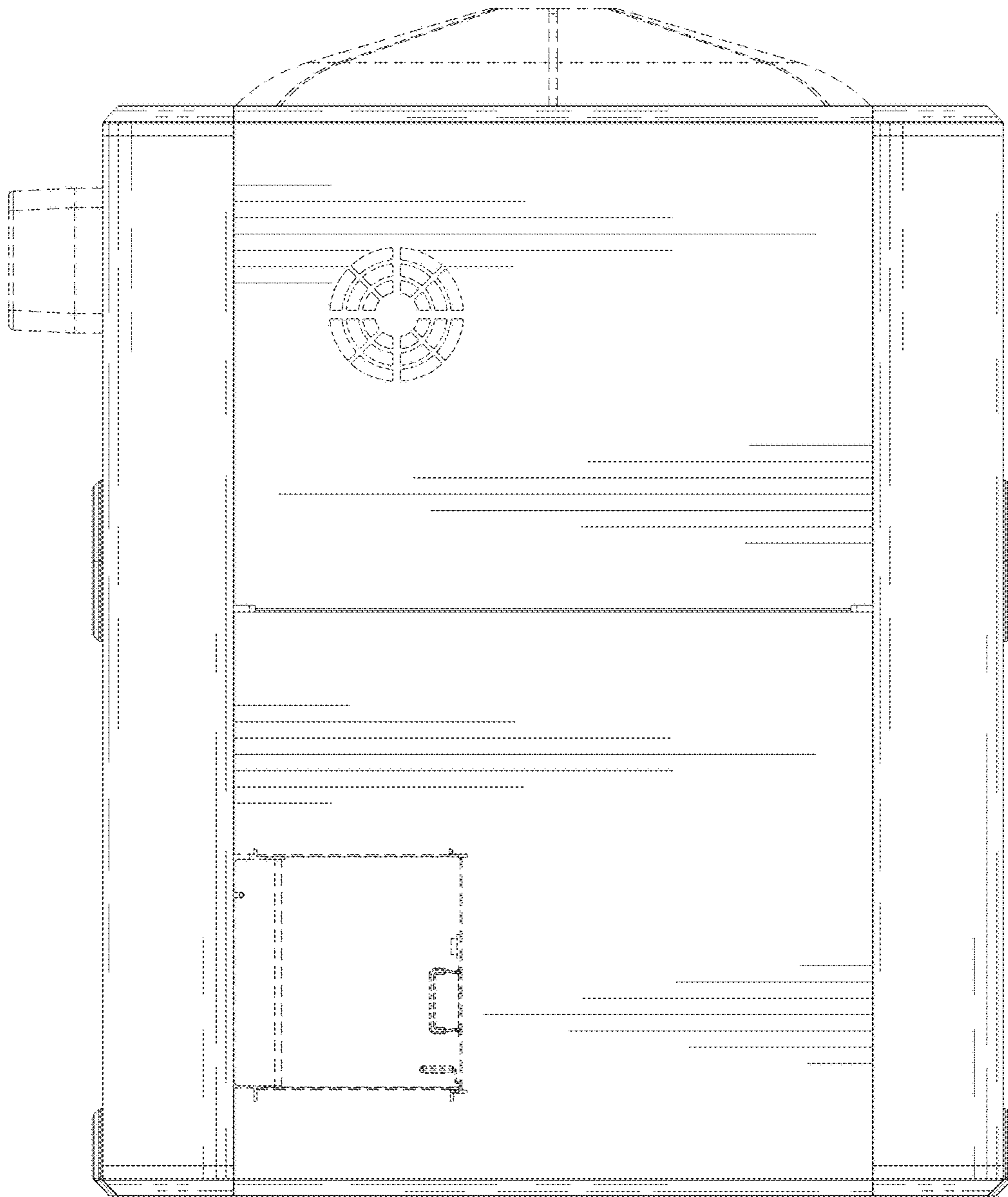


FIG.3

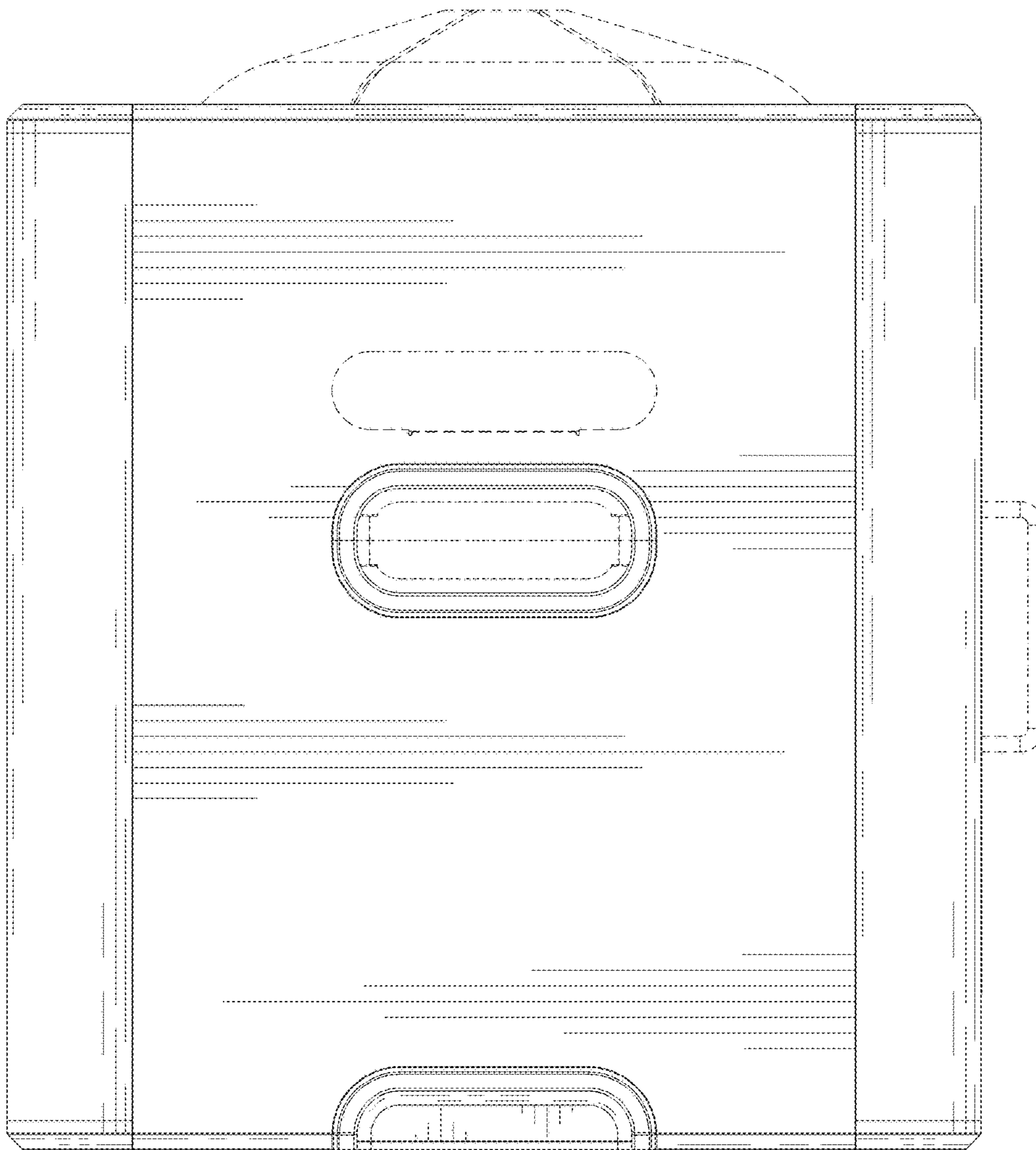


FIG.4

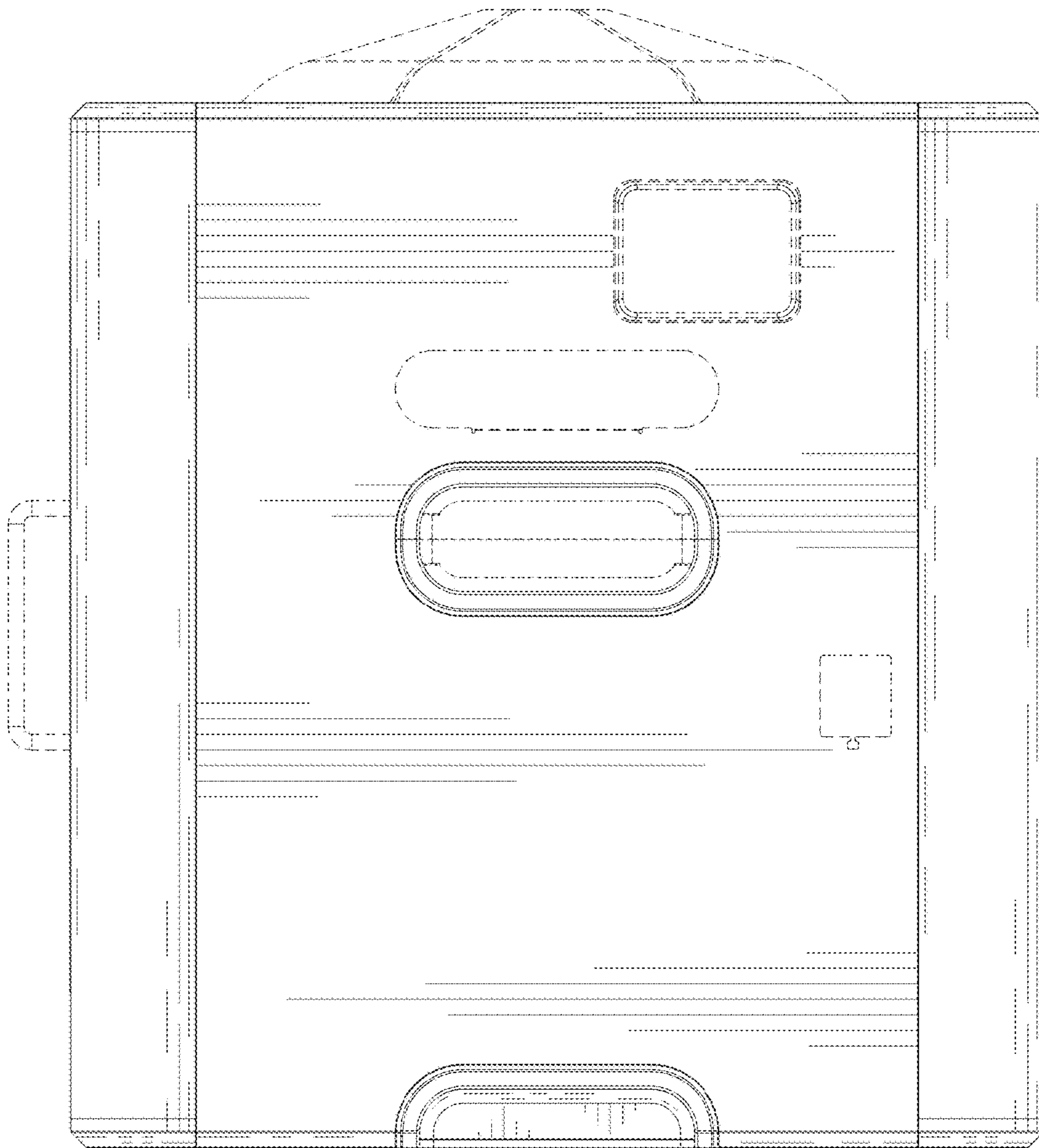


FIG.5

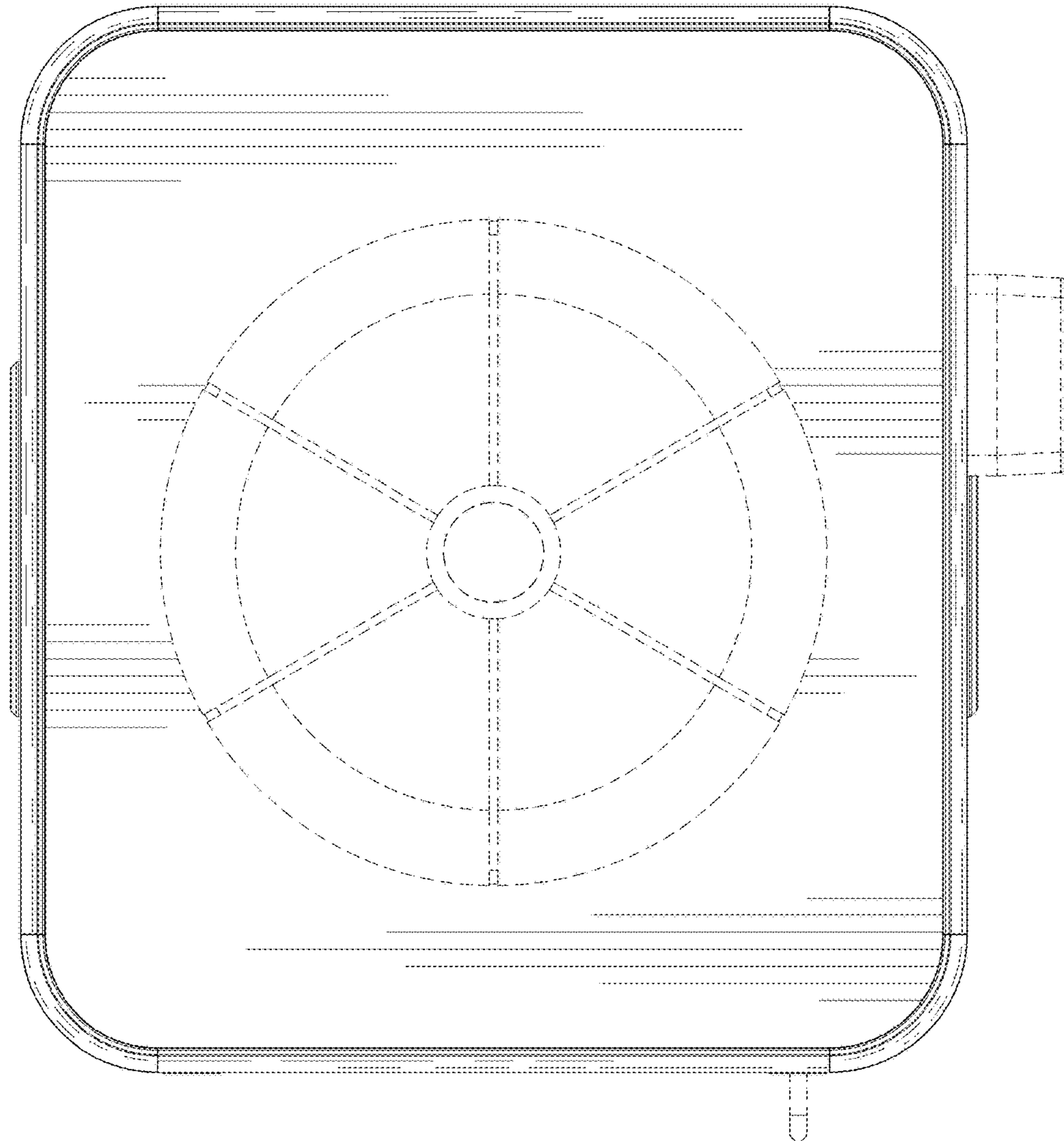


FIG.6

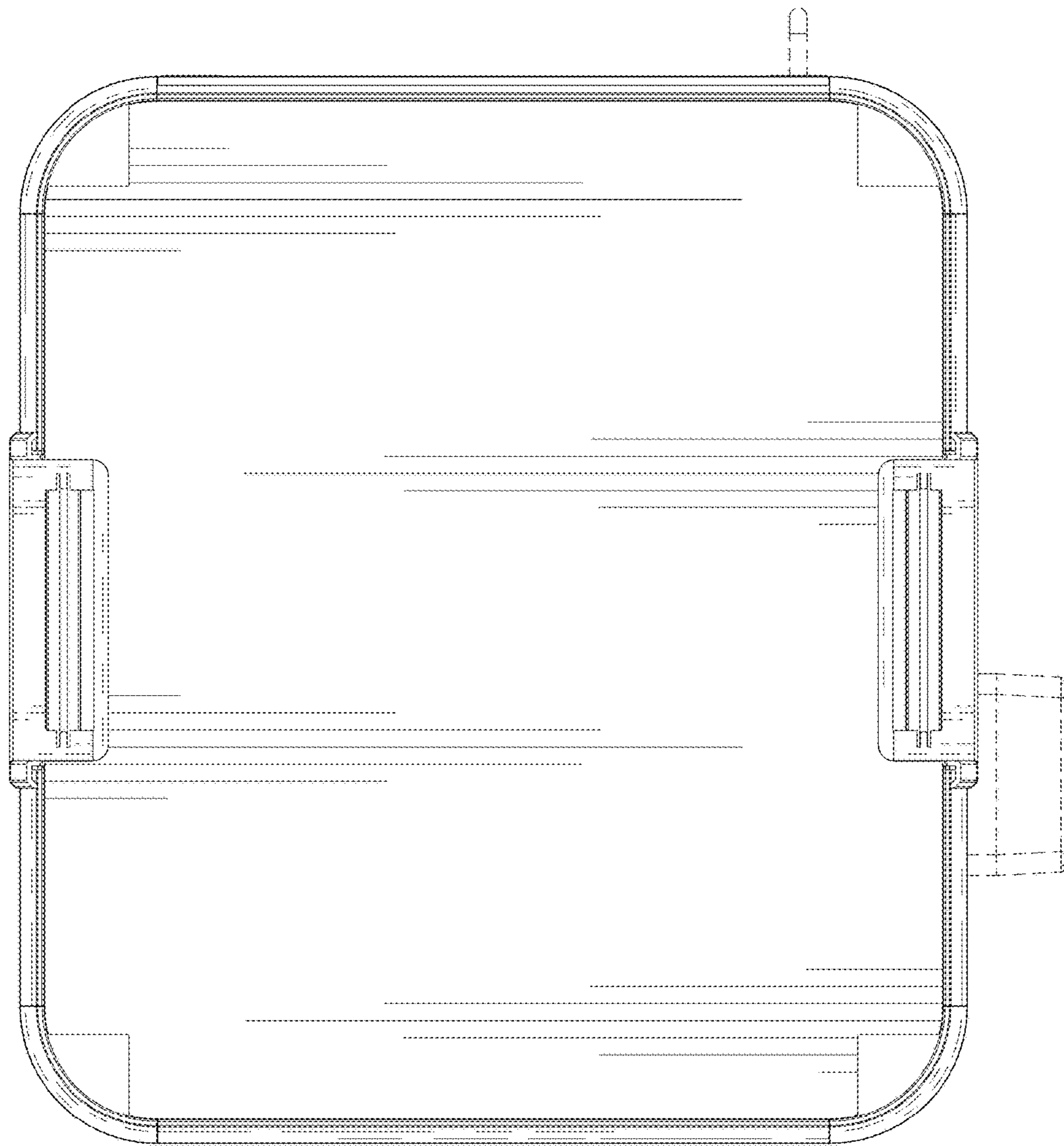


FIG.7

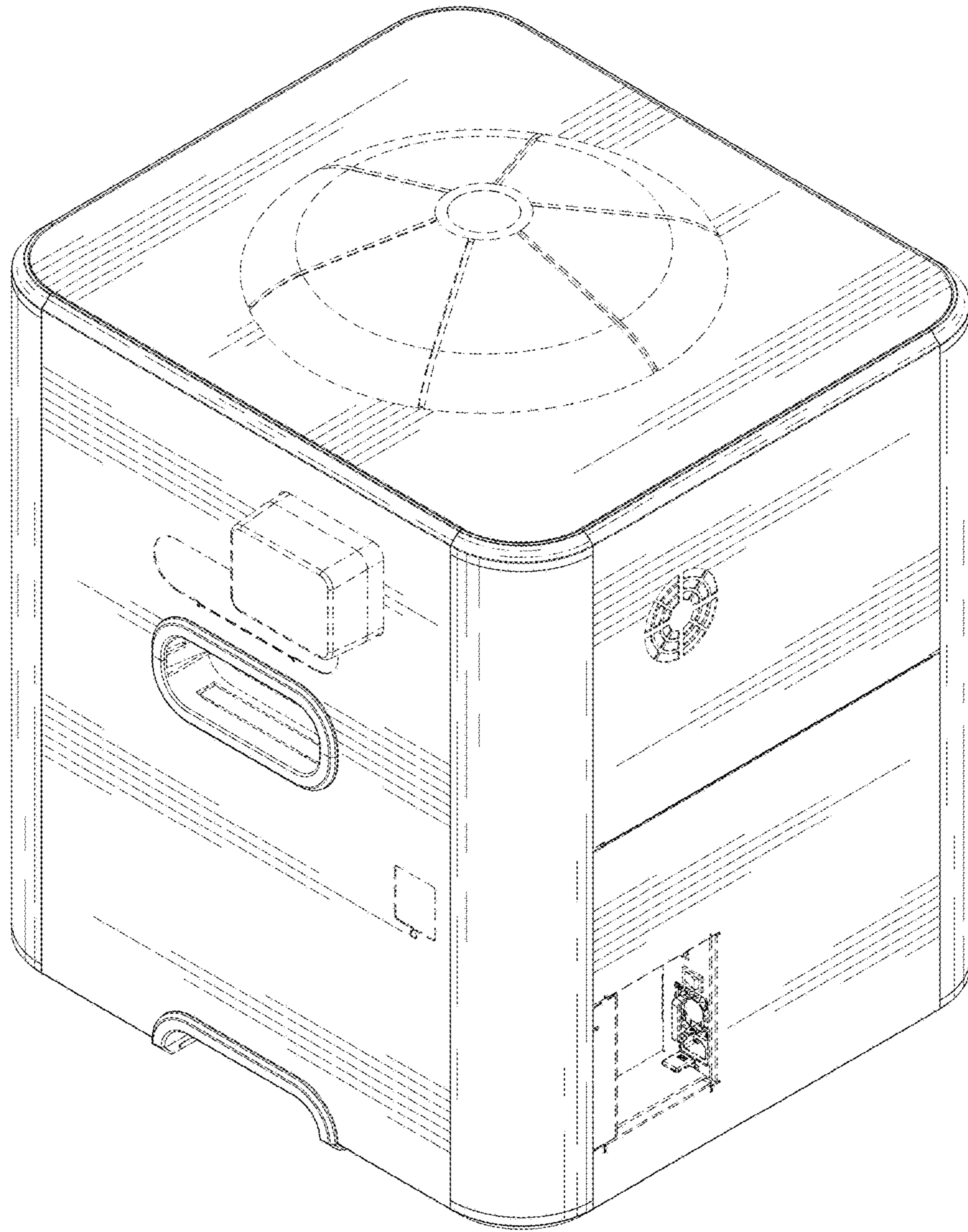


FIG.8

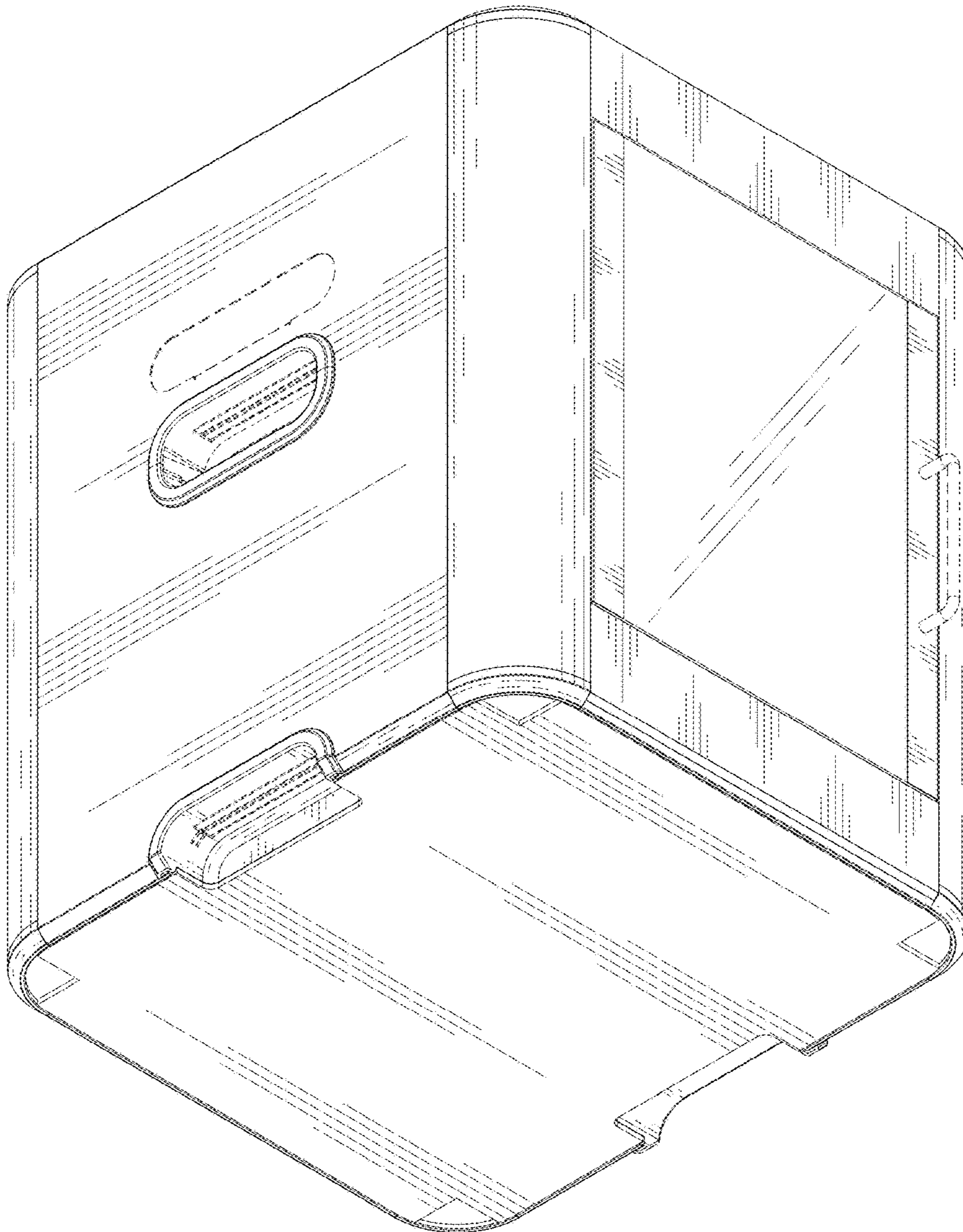


FIG.9