



US00D787569S

(12) **United States Design Patent** (10) **Patent No.:** **US D787,569 S**  
**Meaux** (45) **Date of Patent:** **\*\* May 23, 2017**

- (54) **WHISKEY STONE**
- (71) Applicant: **Joseph W. Meaux**, Zachary, LA (US)
- (72) Inventor: **Joseph W. Meaux**, Zachary, LA (US)
- (\*\*) Term: **15 Years**
- (21) Appl. No.: **29/535,627**
- (22) Filed: **Aug. 7, 2015**
- (51) **LOC (10) Cl.** ..... **15-07**
- (52) **U.S. Cl.**  
USPC ..... **D15/90**
- (58) **Field of Classification Search**  
USPC ..... D15/79, 80, 82, 89, 90; D22/115–116;  
D3/270, 271.1, 271.9; D28/85, 88;  
D9/668, 680; D24/173, 174, 200, 106;  
D14/223, 206  
CPC ..... F42B 33/02; F42B 12/46; F42B 5/025;  
F42B 5/313; F42B 10/44; F42B 12/02;  
F42B 12/745; F42B 12/78; F42B 14/06;  
F42B 7/10; F42B 10/06; F42B 10/14;  
F42B 12/40; F42B 12/64; F42B 12/76;  
F42B 14/02; F42B 5/03; F42B 7/04;  
F42B 10/46; F42B 10/62; F42B 10/64;  
F42B 12/20; F42B 12/22; F42B 12/24;  
F42B 12/367; F42B 12/44; F42B 12/58;  
F42B 12/60; F42B 14/00; F42B 14/061;  
F42B 14/064; F42B 14/068; F42B 30/04;  
F42B 30/10; F42B 39/20; F42B 5/08;  
F42B 5/16; F42B 5/188; F42B 5/192;  
F42B 5/285; F42B 5/297; F42B 6/10;  
F42B 7/06; F42B 8/10; F42B 8/14; F42B  
10/00; F42B 10/02; F42B 10/08; F42B  
10/12; F42B 10/16; F42B 10/26; F42B  
10/30; F42B 10/36; F42B 10/05  
See application file for complete search history.

- D584,398 S \* 1/2009 Benner ..... D24/106
- D615,818 S \* 5/2010 Jansen ..... D7/510
- D639,280 S \* 6/2011 Hayes ..... D14/223
- D664,042 S \* 7/2012 Kurpis ..... D22/116
- D682,413 S \* 5/2013 Gross ..... D24/106
- D707,785 S \* 6/2014 Seecamp ..... D22/116
- D722,126 S \* 2/2015 Bray ..... D22/115
- D739,084 S \* 9/2015 Hall ..... D28/76
- D751,166 S \* 3/2016 Seecamp ..... D22/116

(Continued)

**OTHER PUBLICATIONS**

The Gun Digest Book of 9MM Handguns 2<sup>nd</sup> Edition, 1993, Steve Comus, p. 21 (3<sup>rd</sup> image on left).\*

(Continued)

*Primary Examiner* — Ian Simmons  
*Assistant Examiner* — Khawaja Anwar  
(74) *Attorney, Agent, or Firm* — Dobbin IP Law P.C.;  
Geoffrey E. Dobbin

(57) **CLAIM**

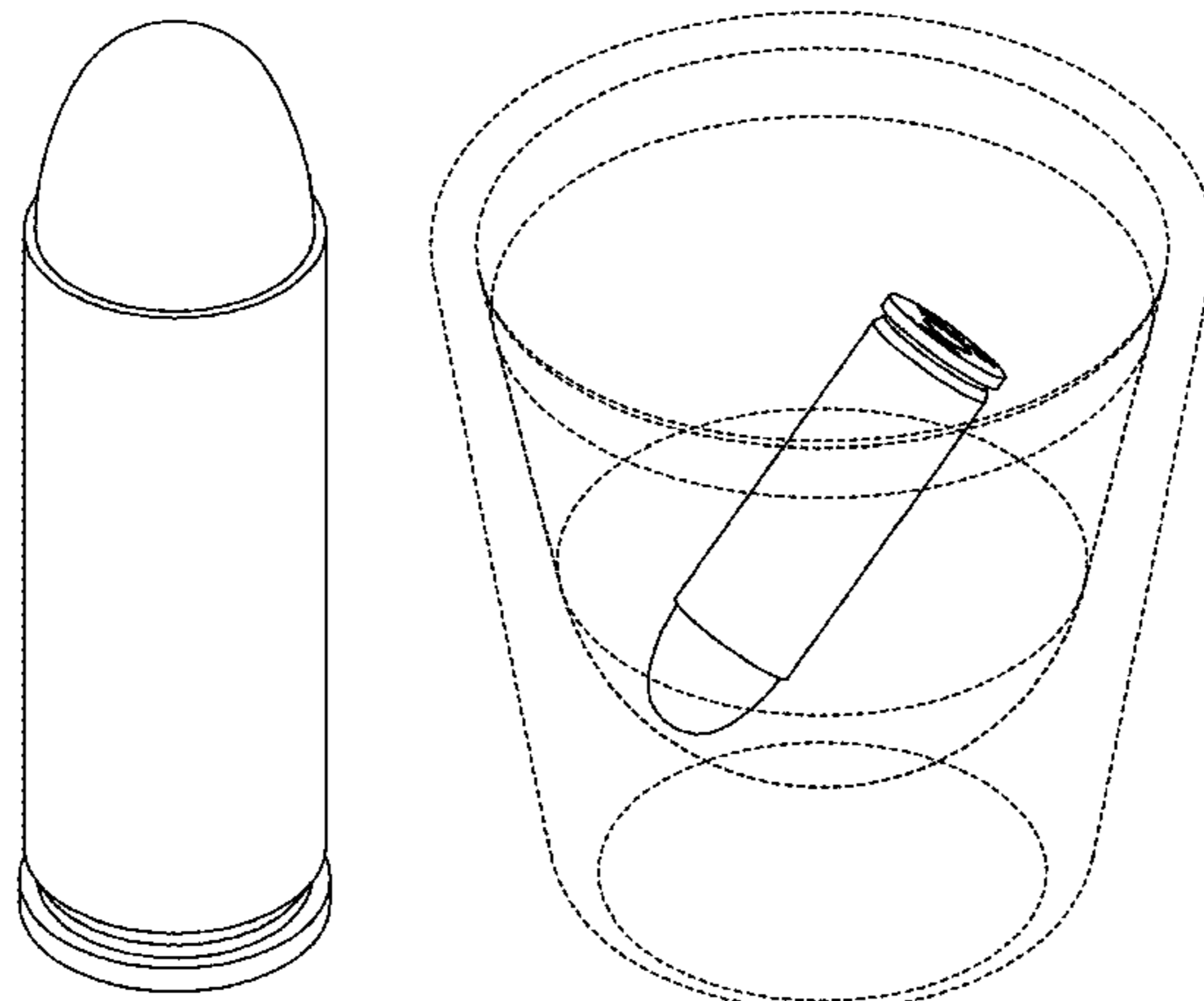
The ornamental design for a whiskey stone, as shown and described.

**DESCRIPTION**

FIG. 1 is a perspective view of a whiskey stone, showing my new design;  
FIG. 2 is an alternate perspective view thereof;  
FIG. 3 is a bottom plan view thereof;  
FIG. 4 is a top plan view thereof;  
FIG. 5 is a side elevation of the thereof; and,  
FIG. 6 is a perspective view thereof, showing the whiskey stone in a use condition.  
The broken lines in the drawings represent unclaimed environment only and form no part of the claimed design.

**1 Claim, 2 Drawing Sheets**

- (56) **References Cited**  
U.S. PATENT DOCUMENTS  
D114,677 S \* 5/1939 Jakway ..... D21/388  
D583,998 S \* 12/2008 Tani ..... D28/88



(56)

**References Cited**

U.S. PATENT DOCUMENTS

D754,222 S \* 4/2016 Pederson ..... D15/90  
D754,223 S \* 4/2016 Pederson ..... D15/90

OTHER PUBLICATIONS

The Gun Digest Book of 9MM Handguns 2ND Edition, 1993, Steve  
Comus, p. 198 (first image starting from left).\*

\* cited by examiner

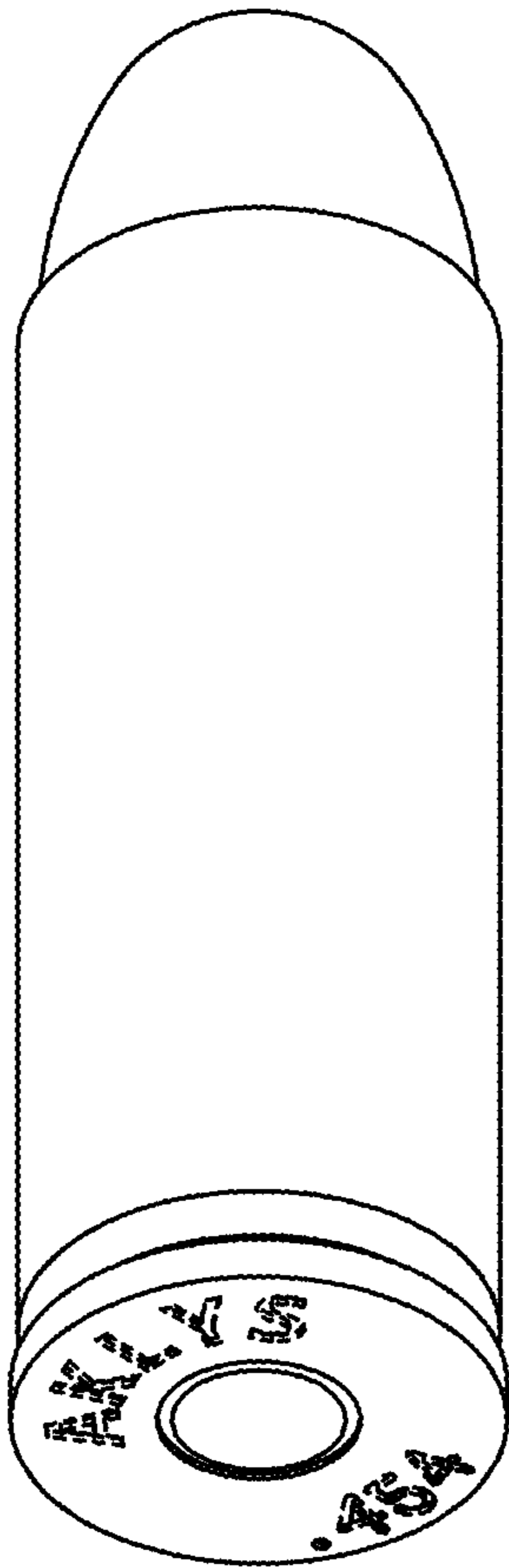


FIG. 1

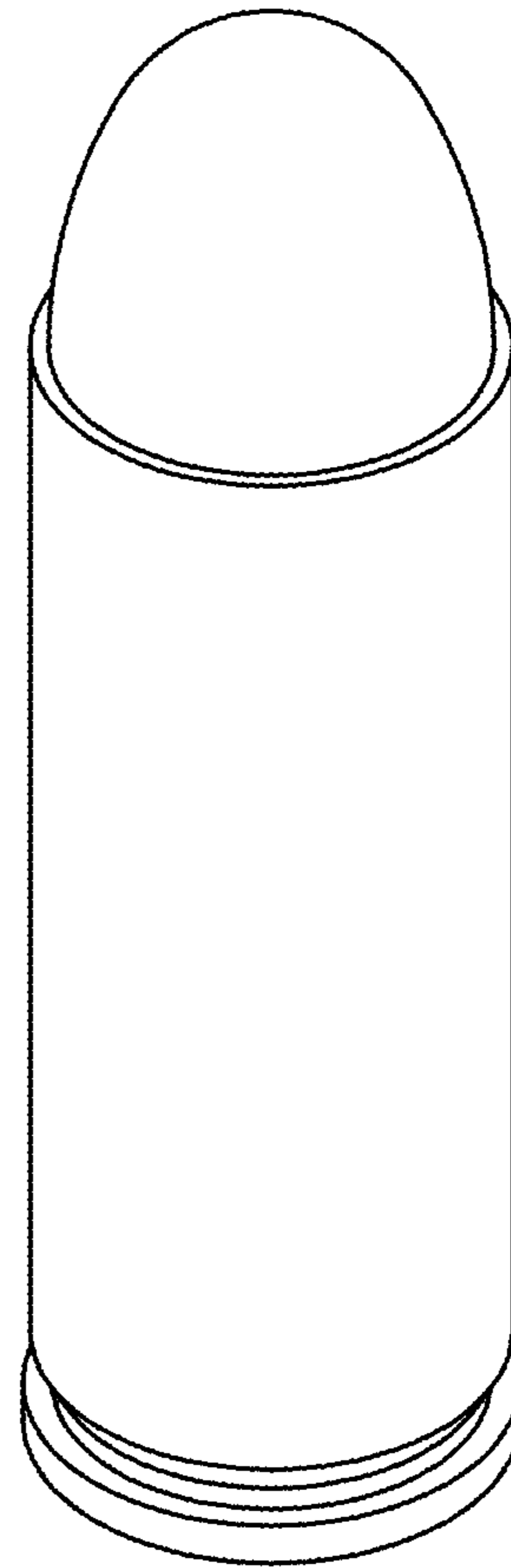


FIG. 2

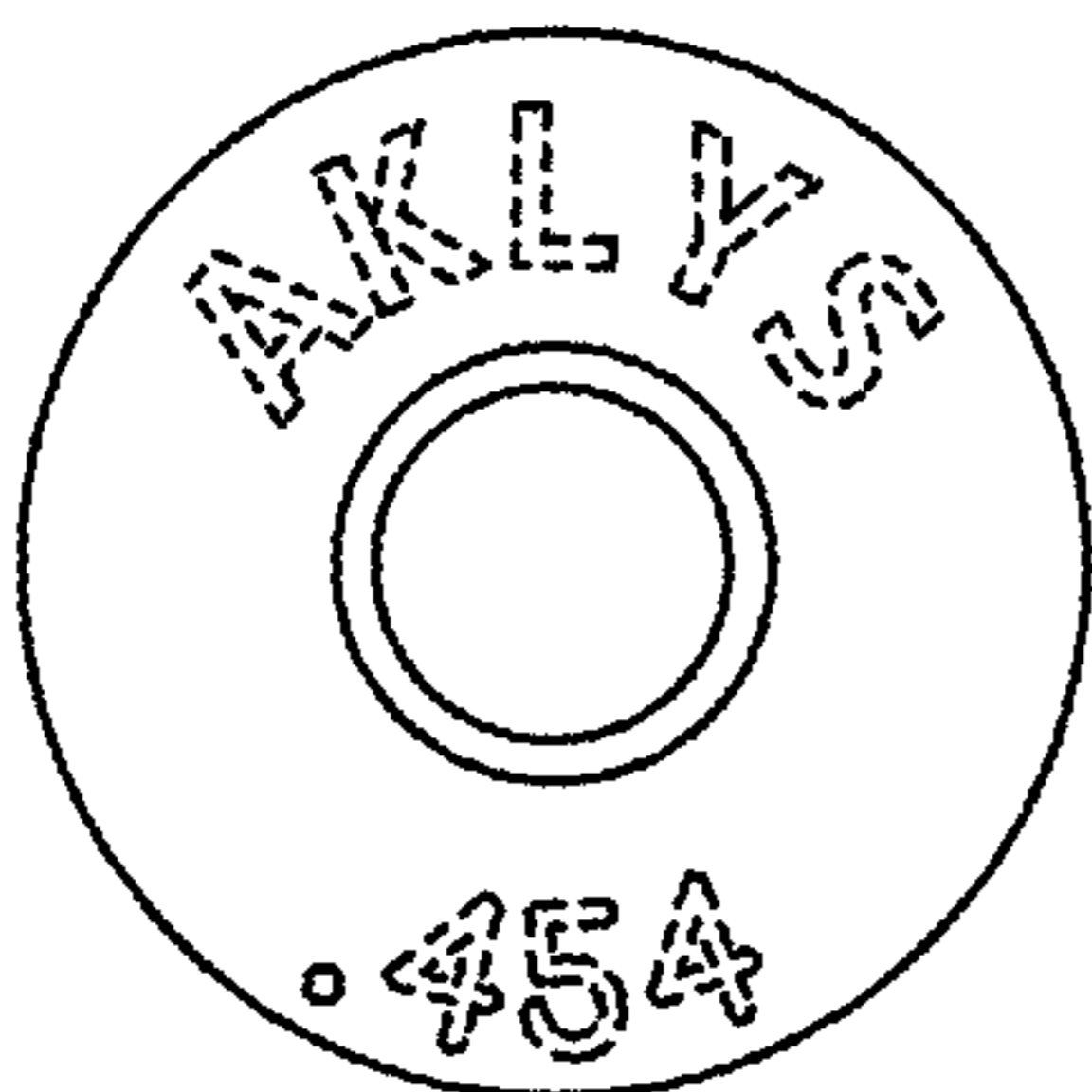


FIG. 3

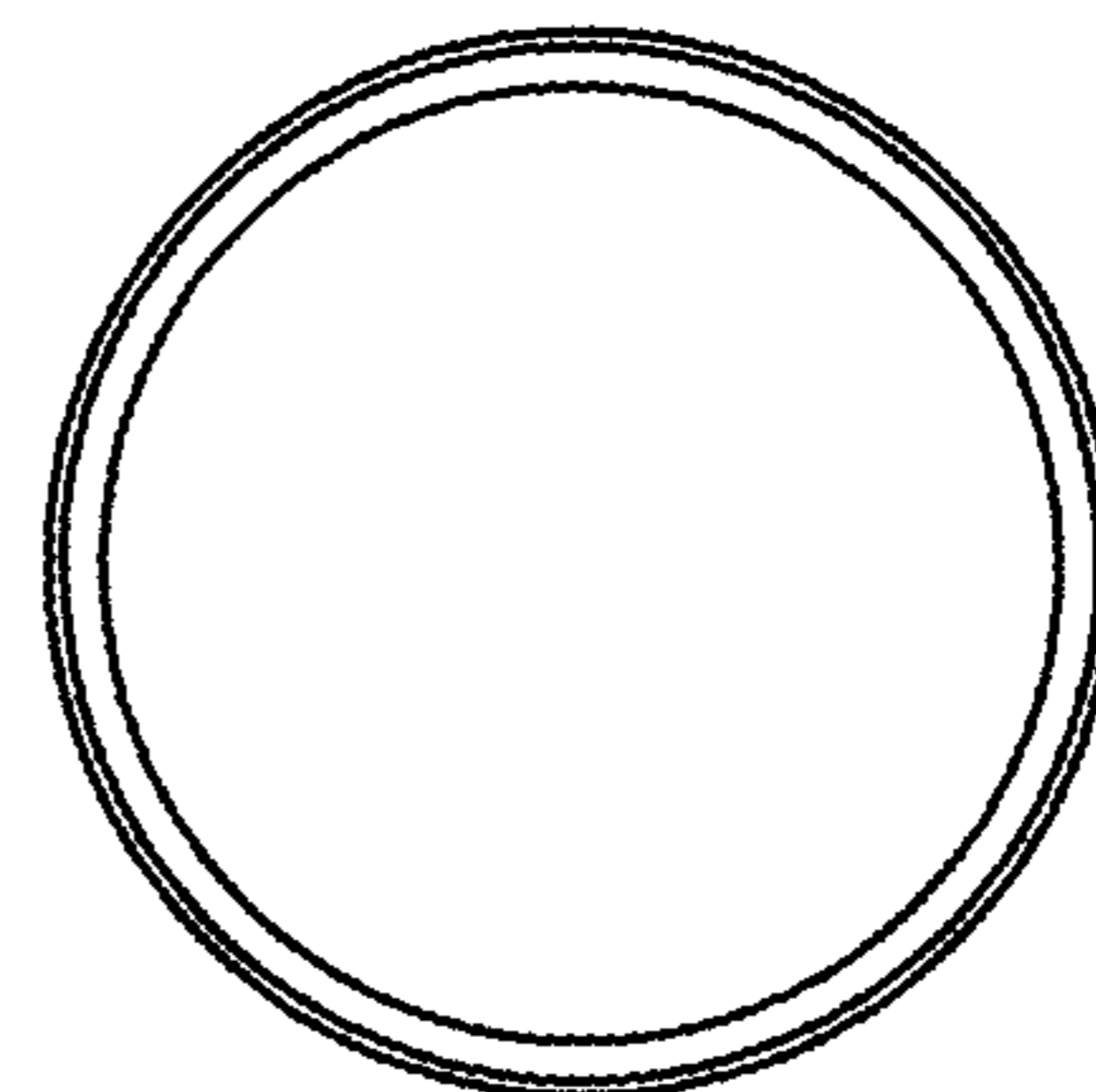


FIG. 4

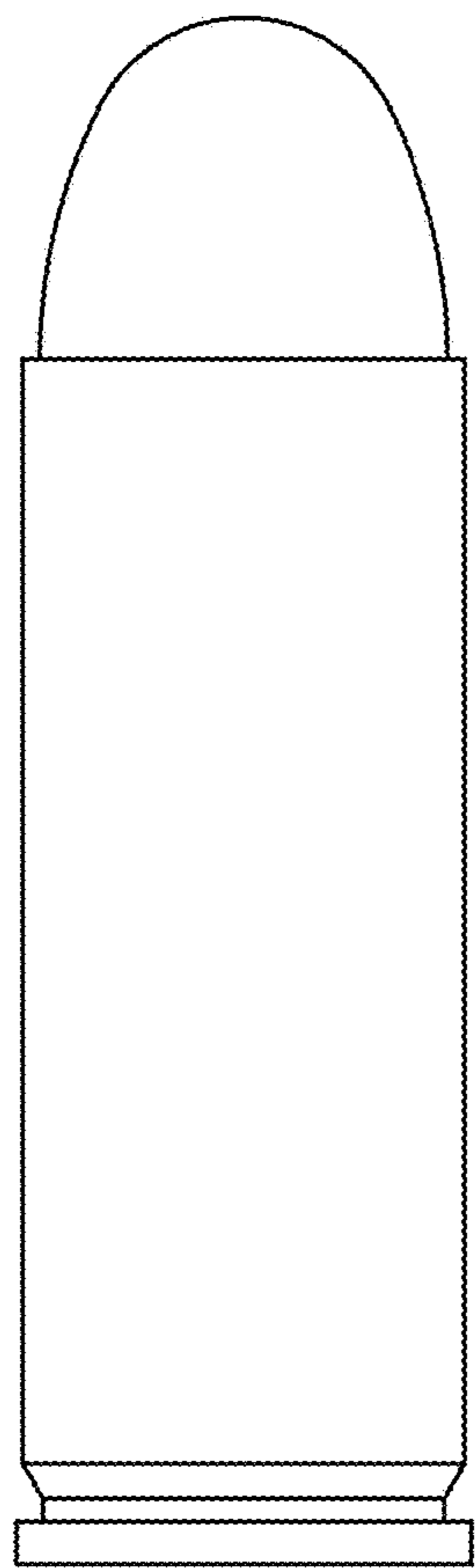


FIG. 5

FIG. 6

