



US00D787568S

(12) **United States Design Patent** (10) **Patent No.:** **US D787,568 S**
Davies (45) **Date of Patent:** **** May 23, 2017**

(54) **QUICK SNAP ICE TRAY**
(71) Applicant: **Graeme Davies**, London (GB)
(72) Inventor: **Graeme Davies**, London (GB)
(**) Term: **14 Years**
(21) Appl. No.: **29/522,321**
(22) Filed: **Mar. 30, 2015**

(30) **Foreign Application Priority Data**

Oct. 7, 2014 (EM) 002552208-0004

(51) **LOC (10) Cl.** **15-07**

(52) **U.S. Cl.**
USPC **D15/90**

(58) **Field of Classification Search**
USPC D15/79, 80, 82, 89, 90; D3/200-201,
D3/203.1, 203.3, 205-206, 304-315;
D6/672, 675
CPC F25B 21/02; F25B 2321/02; F25B 1/005;
F25B 2321/0252; F25B 1/00; F25B 1/10;
F25B 21/04; F25B 2339/047; F25B 5/02;
F25B 7/00; F25B 13/00; F25B 1/053;
F25B 2309/06; F25B 2321/021; F25B
2321/023; F25D 23/028; F25D 23/02;
F25D 25/025; F25D 23/00; F25D
2323/021; F25D 11/00; F25D 2323/024;
F25D 23/04; F25D 29/00; F25D 25/02;
F25D 25/024; F25D 27/005; F25D 23/12;
F25D 29/005; F25D 17/042; F25D
2325/021

See application file for complete search history.

(56) **References Cited**

U.S. PATENT DOCUMENTS

2,133,219 A * 10/1938 Waldenmeyer F25C 1/246
249/120
D137,122 S * 1/1944 Gits D15/90

(Continued)

Primary Examiner — Ian Simmons
Assistant Examiner — Khawaja Anwar
(74) *Attorney, Agent, or Firm* — Millen White Zelano & Branigan, P.C.

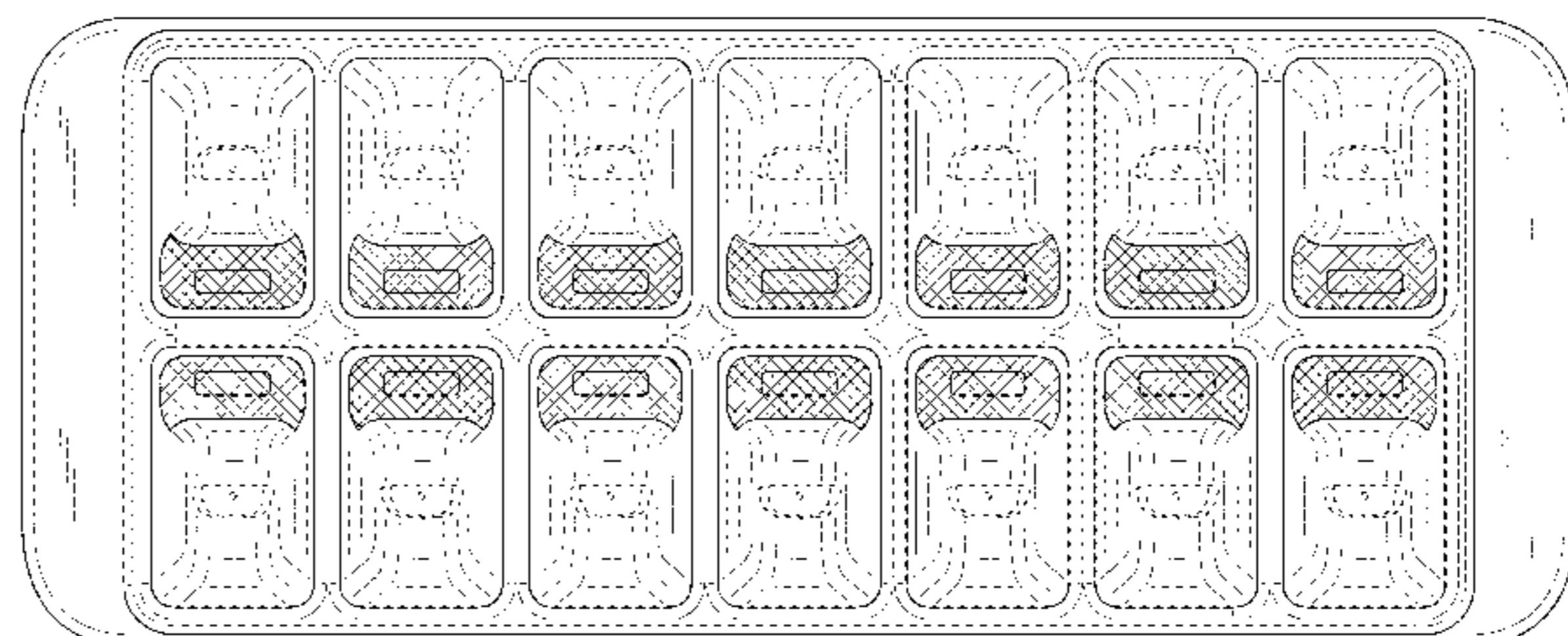
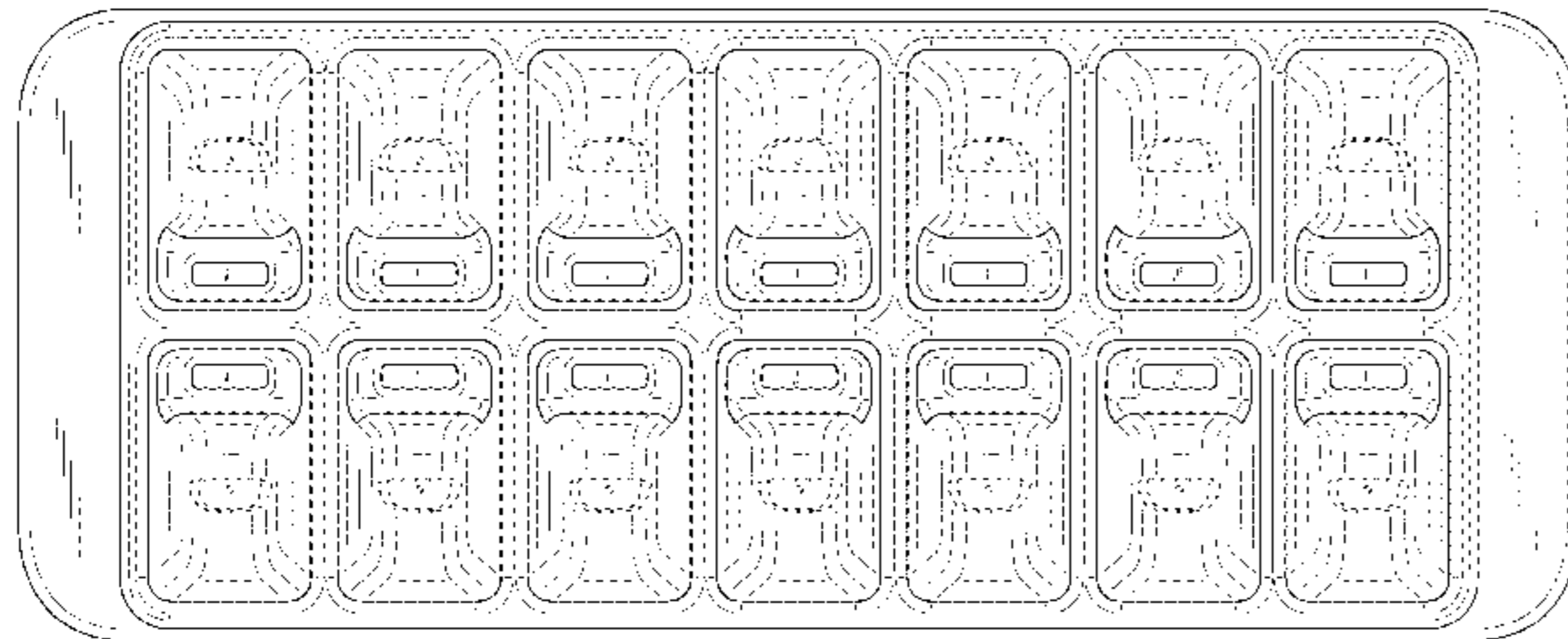
(57) **CLAIM**

The ornamental design for an quick snap ice tray, as shown and described.

DESCRIPTION

FIG. 1 is a bottom view of the quick snap ice tray showing my new design.
FIG. 2 is a side view thereof.
FIG. 3 is another side view thereof.
FIG. 4 is another side view thereof.
FIG. 5 is another side view thereof.
FIG. 6 is a top view thereof.
FIG. 7 is a top perspective view thereof.
FIG. 8 is a bottom perspective view thereof.
FIG. 9 is a bottom view thereof with cross hatch lines depicting areas of contrasting color.
FIG. 10 is a side view thereof with cross hatch lines depicting areas of contrasting color.
FIG. 11 is another side view thereof with cross hatch lines depicting areas of contrasting color.
FIG. 12 is another side view thereof with cross hatch lines depicting areas of contrasting color.
FIG. 13 is another side view thereof with cross hatch lines depicting areas of contrasting color.
FIG. 14 is a top view thereof with cross hatch lines depicting areas of contrasting color.
FIG. 15 is a top perspective view thereof with cross hatch lines depicting areas of contrasting color; and,
FIG. 16 is a bottom perspective view thereof with cross hatch lines depicting areas of contrasting color.
The broken lines showing other parts of the quick snap ice tray form no part of the claimed design.
The cross hatch lines in the figures indicate contrasting appearance between areas with cross hatch lines and area without cross hatch lines.

1 Claim, 16 Drawing Sheets



(56)

References Cited

U.S. PATENT DOCUMENTS

2,714,294	A *	8/1955	Frei	F25C 1/246 249/203
2,783,619	A *	3/1957	Yates	F25C 1/246 249/72
2,955,044	A *	10/1960	Tupper	A23G 9/221 206/526
D220,800	S *	5/1971	Krogh	D15/90
D496,374	S *	9/2004	Zimmerman	D15/90
D759,735	S *	6/2016	Tsai	D15/90
D764,552	S *	8/2016	Traub	D15/90

* cited by examiner

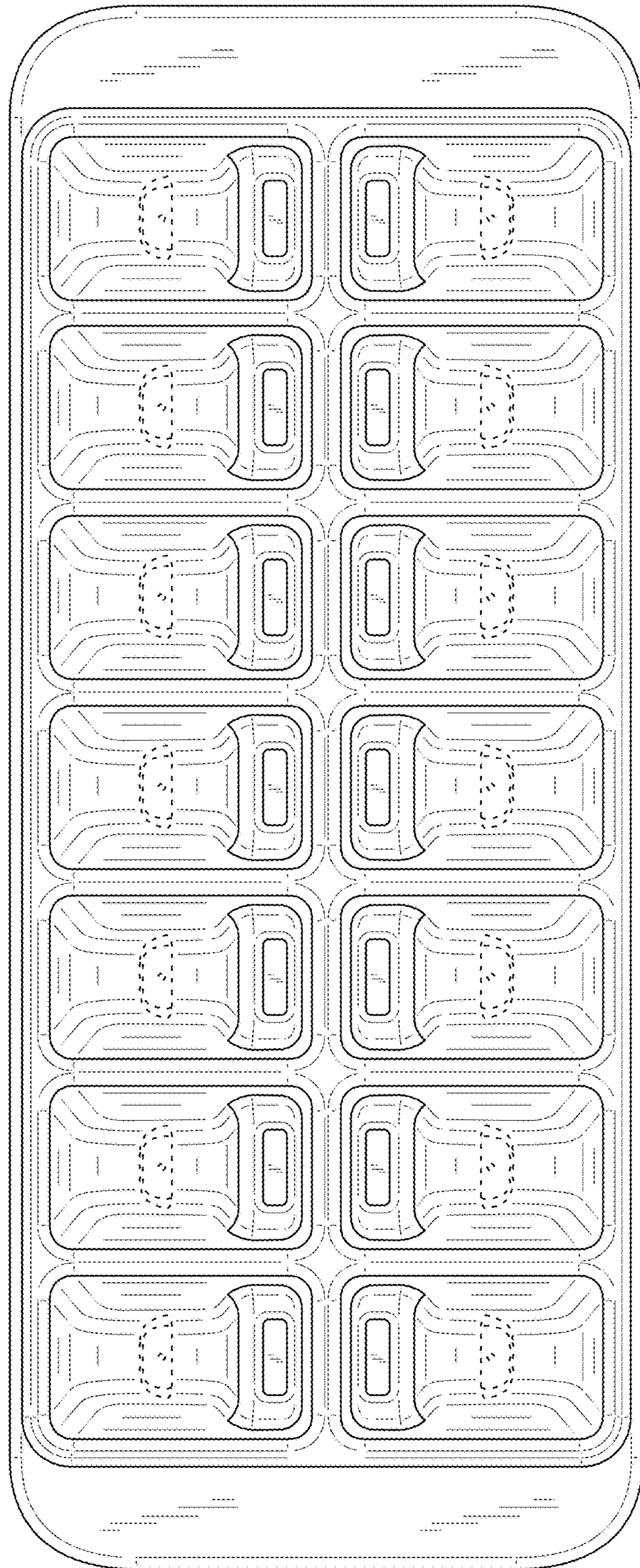


Fig. 1

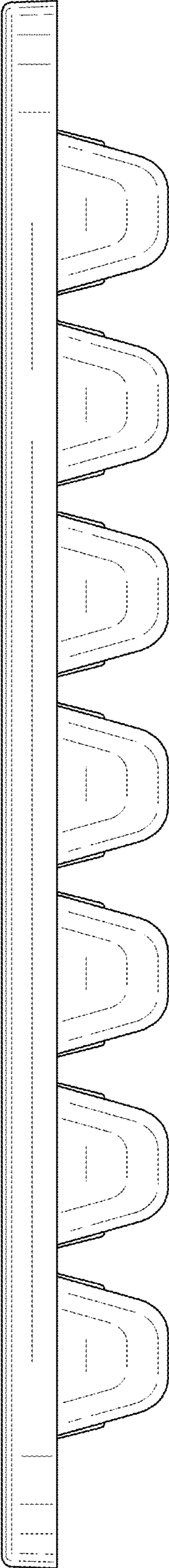


Fig. 2

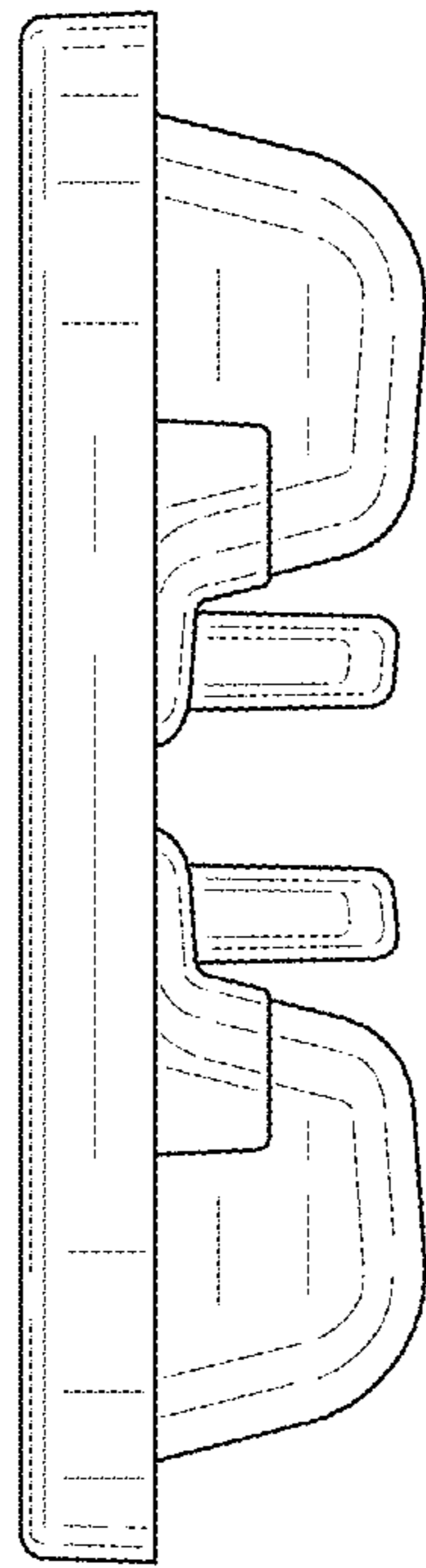


Fig. 3

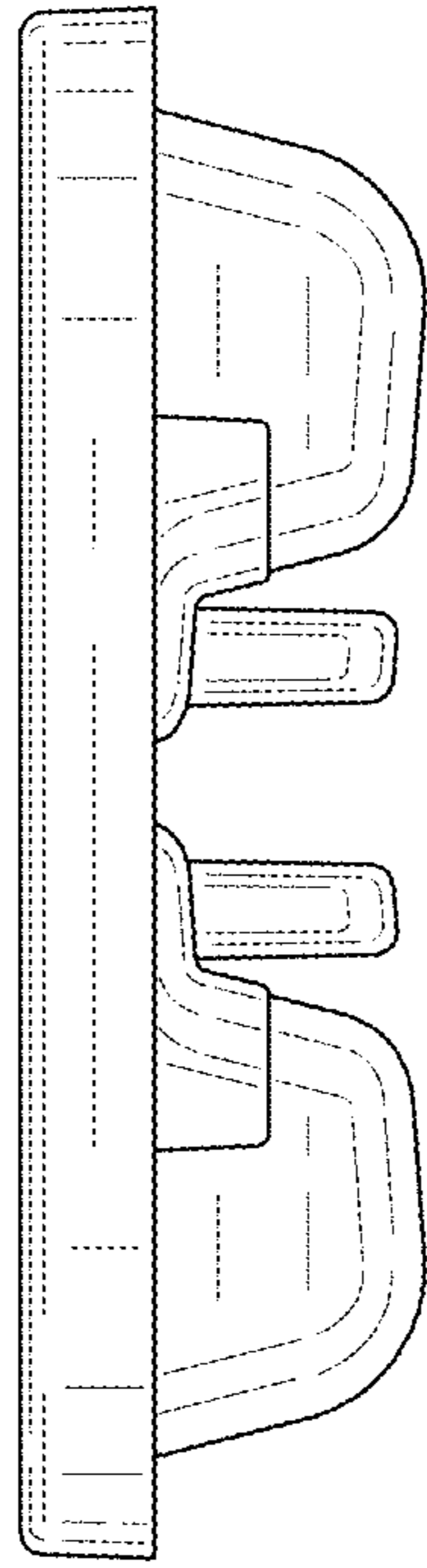


Fig. 4

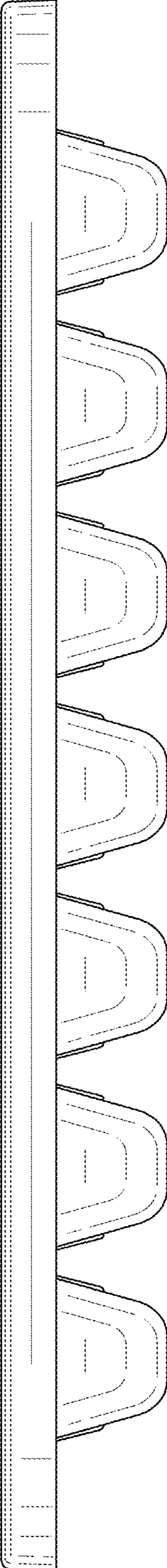


Fig. 5

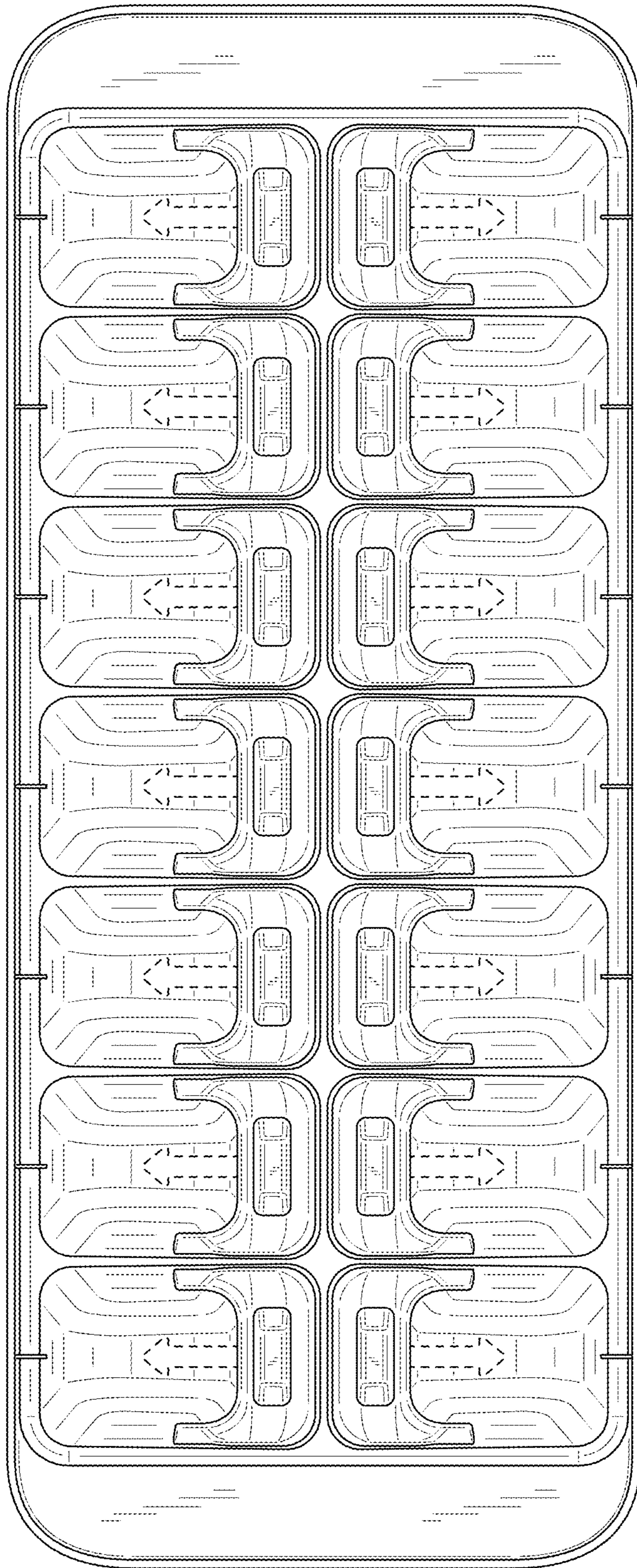


Fig. 6

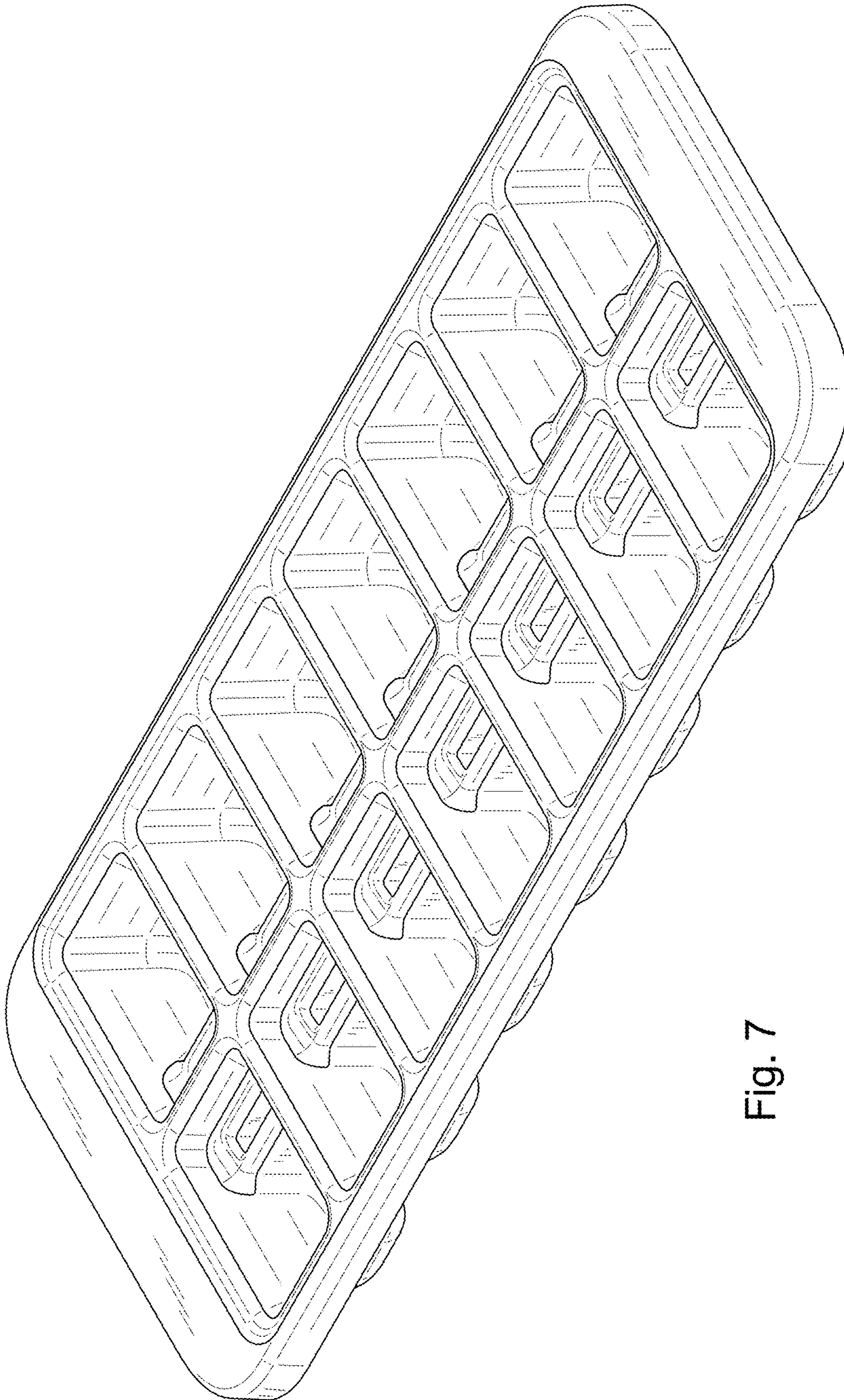


Fig. 7

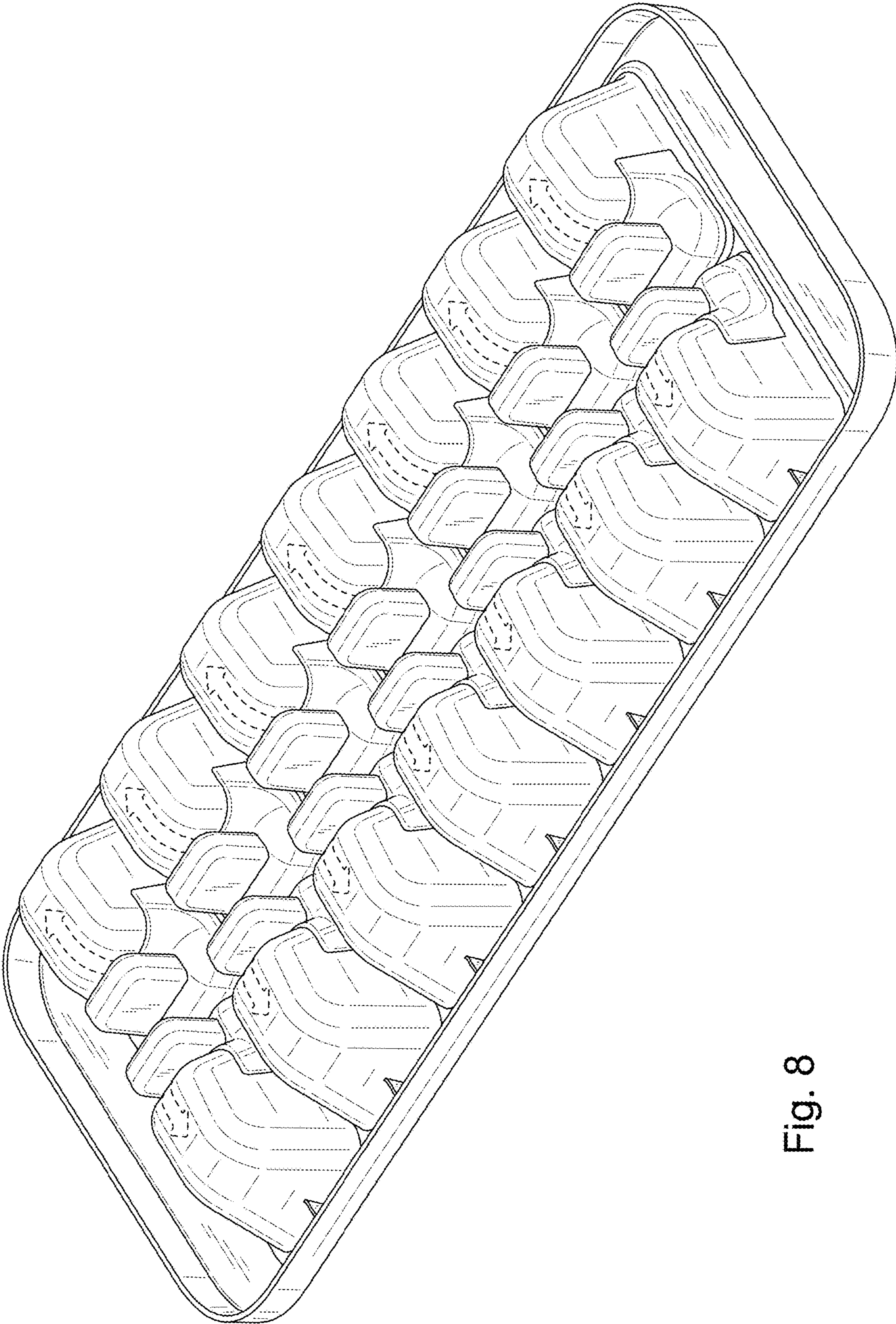


Fig. 8

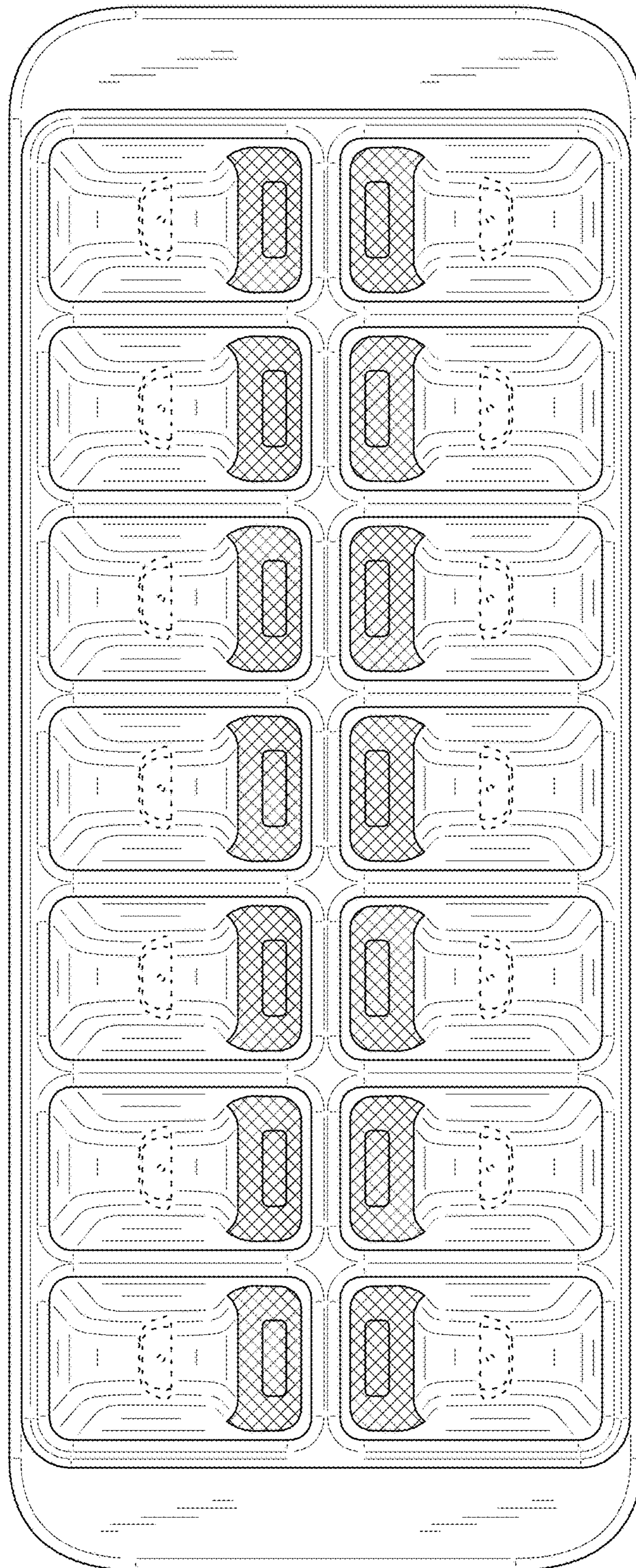


Fig. 9

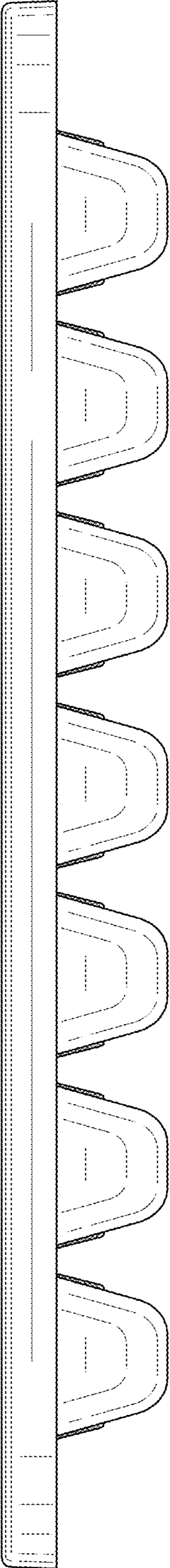


Fig. 10

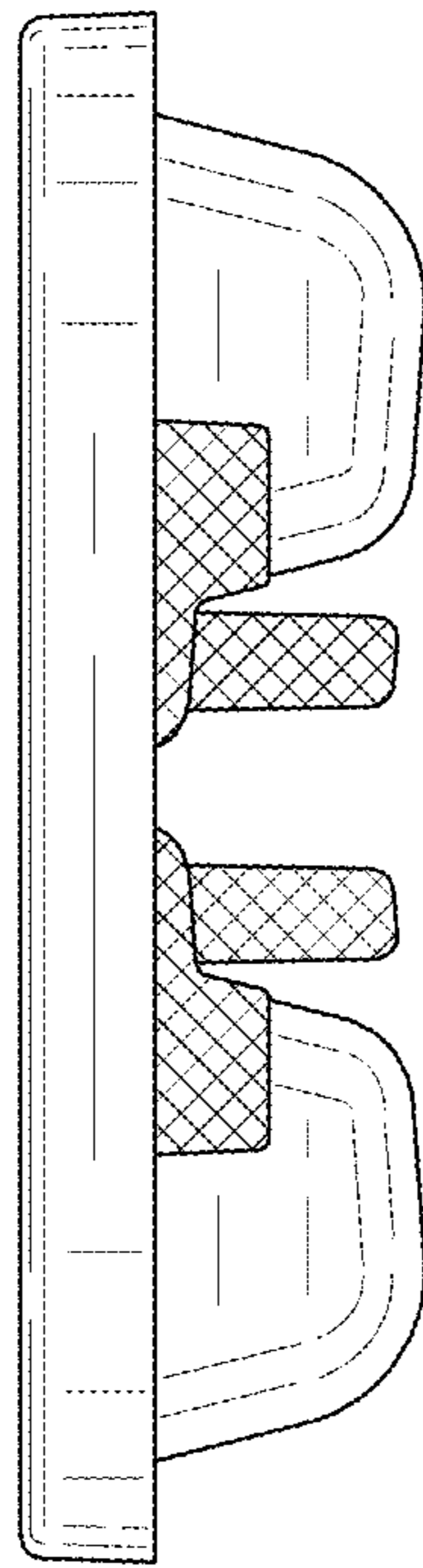


Fig. 11

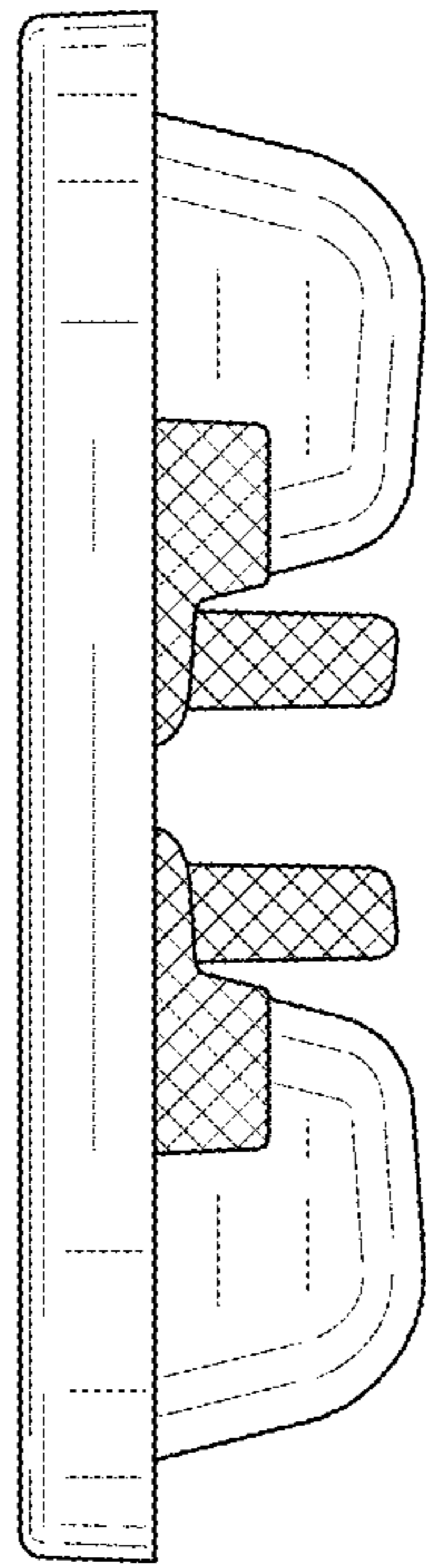


Fig. 12

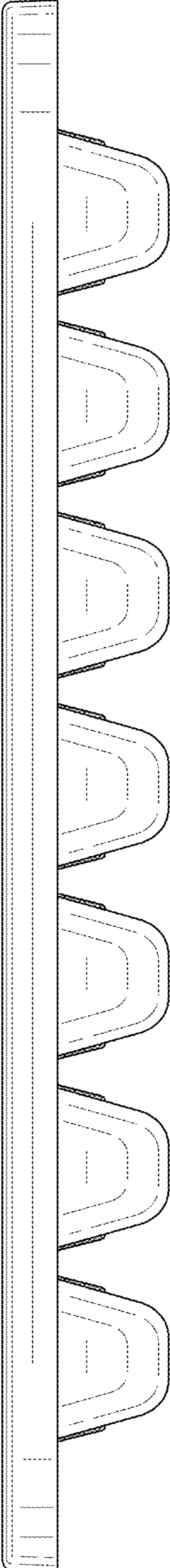


Fig. 13

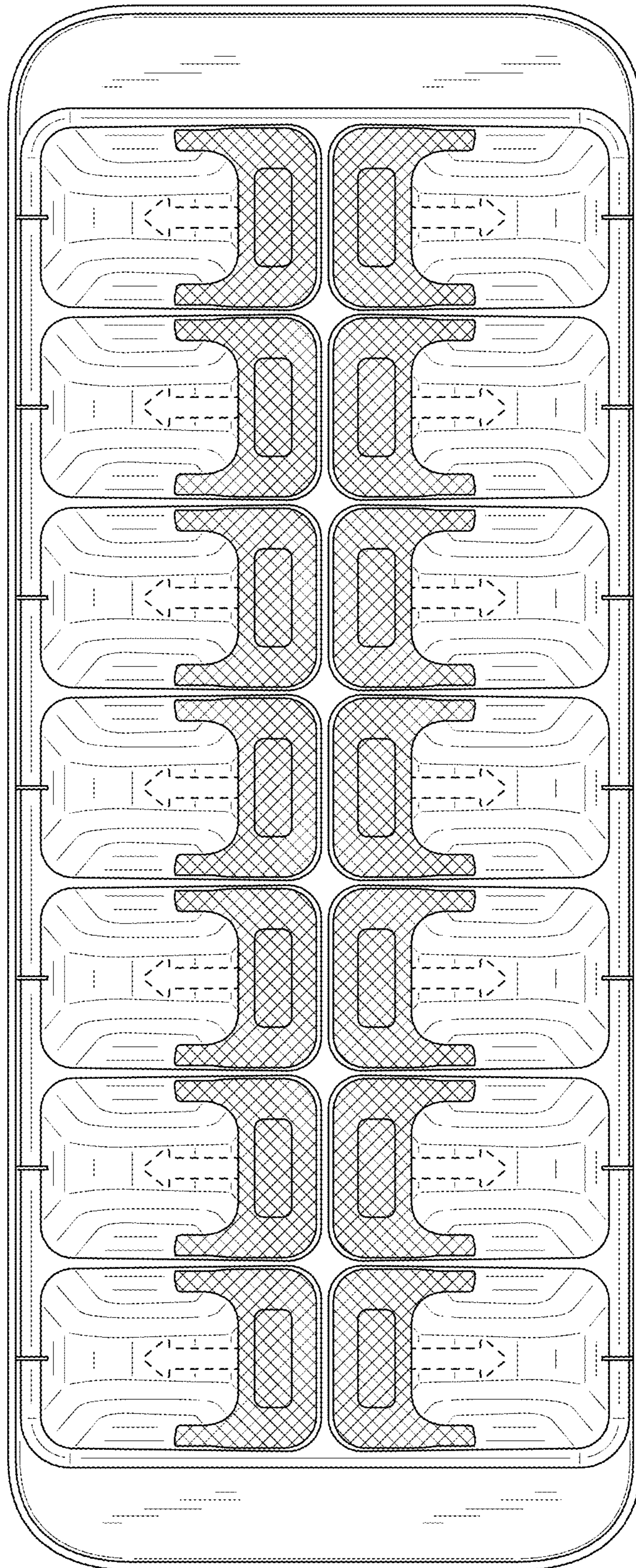


Fig. 14

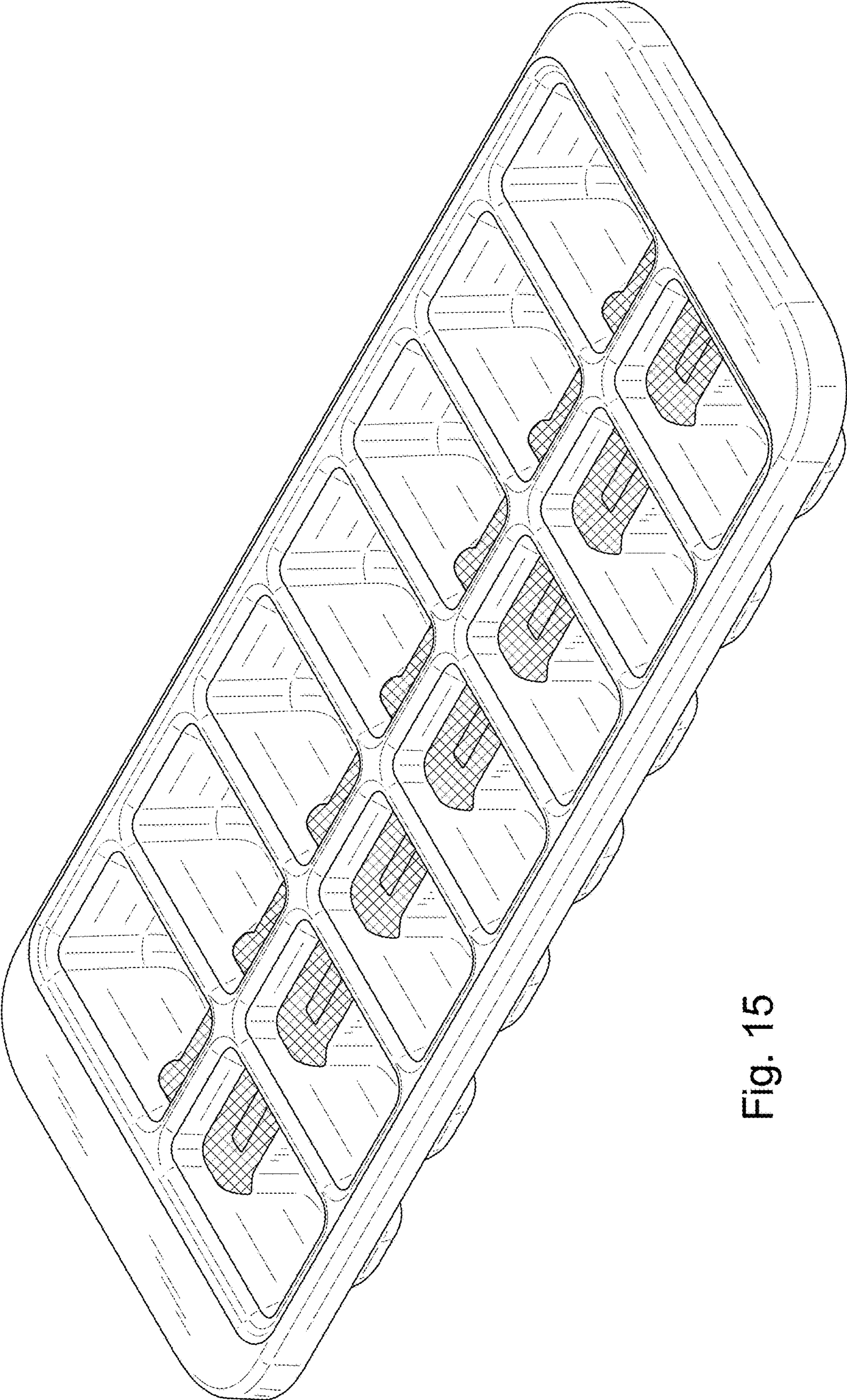


Fig. 15

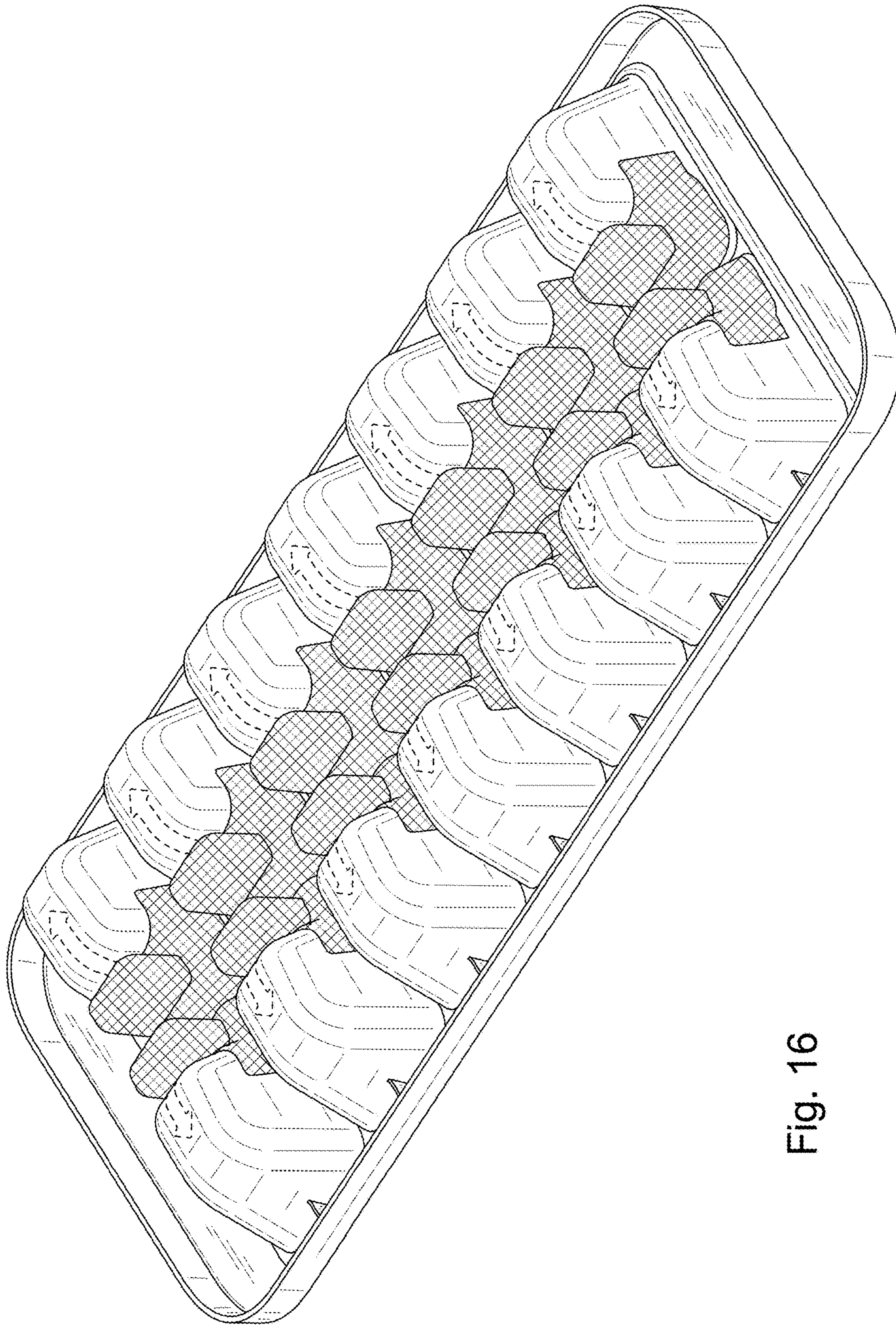


Fig. 16