



US00D787567S

(12) **United States Design Patent** (10) **Patent No.:** **US D787,567 S**
Harvey et al. (45) **Date of Patent:** **** May 23, 2017**

(54) **BEVERAGE DISPENSER DRAWER**

(56) **References Cited**

(71) Applicant: **The Coca-Cola Company**, Atlanta, GA (US)

U.S. PATENT DOCUMENTS

(72) Inventors: **David J. Harvey**, Suwanee, GA (US); **Daniel S. Quartarone**, Stone Mountain, GA (US); **Gregg Carpenter**, Atlanta, GA (US); **Scott Harrison**, Atlanta, GA (US); **Kris Tomasson**, Munich (DE); **Claudio Ponzio**, Cambiano (IT); **Lawrence E. Davis**, Atlanta, GA (US); **Robert Burton Brownell, Jr.**, Decatur, GA (US); **Zersis Mehar Mehta**, Lawrenceville, GA (US)

3,233,817	A	2/1966	Casady	
3,908,864	A	9/1975	Capper	
6,412,663	B1	7/2002	Adamson, II	
6,871,679	B2	3/2005	Last	
D656,970	S *	4/2012	Merritt	D15/90
8,201,712	B2	6/2012	Freeman et al.	
D707,267	S *	6/2014	Choi	D15/89
D709,927	S *	7/2014	Park	D15/89
D710,405	S *	8/2014	Seo	D15/89
D744,548	S *	12/2015	Shin	D15/89
2003/0116584	A1	6/2003	Gutierrez et al.	
2003/0141317	A1	7/2003	Vance	
2006/0071021	A1	4/2006	Steeves et al.	

(Continued)

(73) Assignee: **The Coca-Cola Company**, Atlanta, GA (US)

FOREIGN PATENT DOCUMENTS

(**) Term: **15 Years**

DE 29702300 11/1997

(21) Appl. No.: **29/539,958**

Primary Examiner — Ian Simmons

(22) Filed: **Sep. 18, 2015**

Assistant Examiner — Khawaja Anwar

(51) **LOC (10) Cl.** **15-07**

(74) *Attorney, Agent, or Firm* — Parks IP Law LLC;

(52) **U.S. Cl.**
USPC **D15/89**

Cynthia R. Parks

(58) **Field of Classification Search**

(57) **CLAIM**

We claim the ornamental design for a beverage dispenser drawer, as shown and described.

USPC D15/79, 80, 82, 89, 90
CPC F25B 21/02; F25B 2321/02; F25B 1/005;
F25B 2321/0252; F25B 1/00; F25B 1/10;
F25B 21/04; F25B 2339/047; F25B 5/02;
F25B 7/00; F25B 13/00; F25B 1/053;
F25B 2309/06; F25B 2321/021; F25B
2321/023; F25D 23/028; F25D 23/02;
F25D 25/025; F25D 23/00; F25D
2323/021; F25D 11/00; F25D 2323/024;
F25D 23/04; F25D 29/00; F25D 25/02;
F25D 25/024; F25D 27/005; F25D 23/12;
F25D 29/005; F25D 17/042; F25D
2325/021

DESCRIPTION

FIG. 1 is a front perspective view of an embodiment of a beverage dispenser drawer in accordance with our new design;

FIG. 2 is a rear perspective view thereof;

FIG. 3 is a left side view thereof;

FIG. 4 is a right side view thereof;

FIG. 5 is a front view thereof;

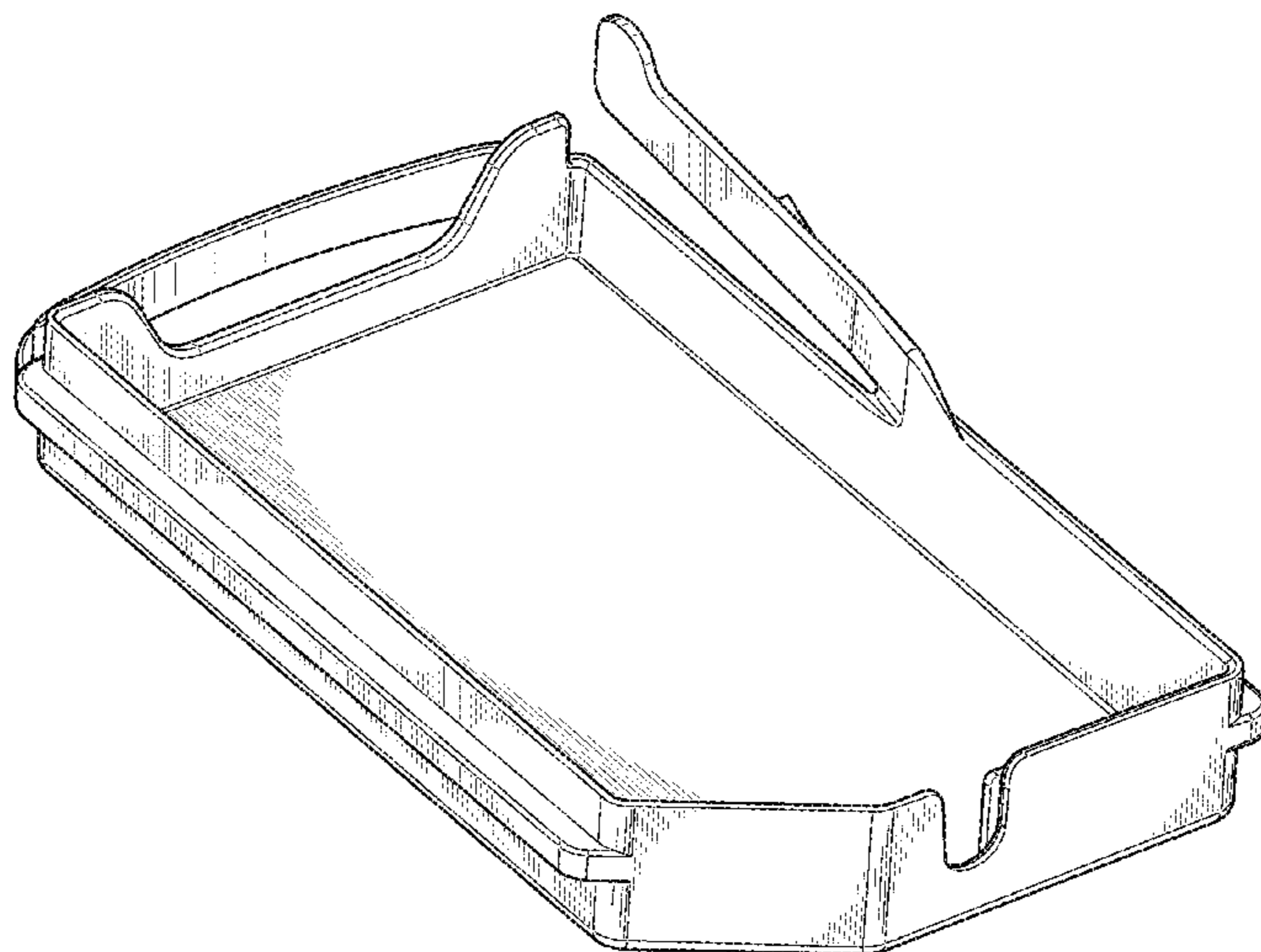
FIG. 6 is a back view thereof;

FIG. 7 is a top view thereof; and,

FIG. 8 is a bottom view thereof.

See application file for complete search history.

1 Claim, 6 Drawing Sheets



(56)

References Cited

U.S. PATENT DOCUMENTS

2006/0138168	A1	6/2006	Last
2008/0041882	A1	2/2008	Lips
2008/0121766	A1	5/2008	Jorgensen
2008/0277417	A1	11/2008	Groesbeck
2008/0283550	A1	11/2008	Nighy et al.
2009/0283541	A1	11/2009	Compton
2010/0147884	A1	6/2010	Compton et al.
2014/0263442	A1	9/2014	Connerat et al.
2014/0263454	A1	9/2014	Connerat et al.

* cited by examiner

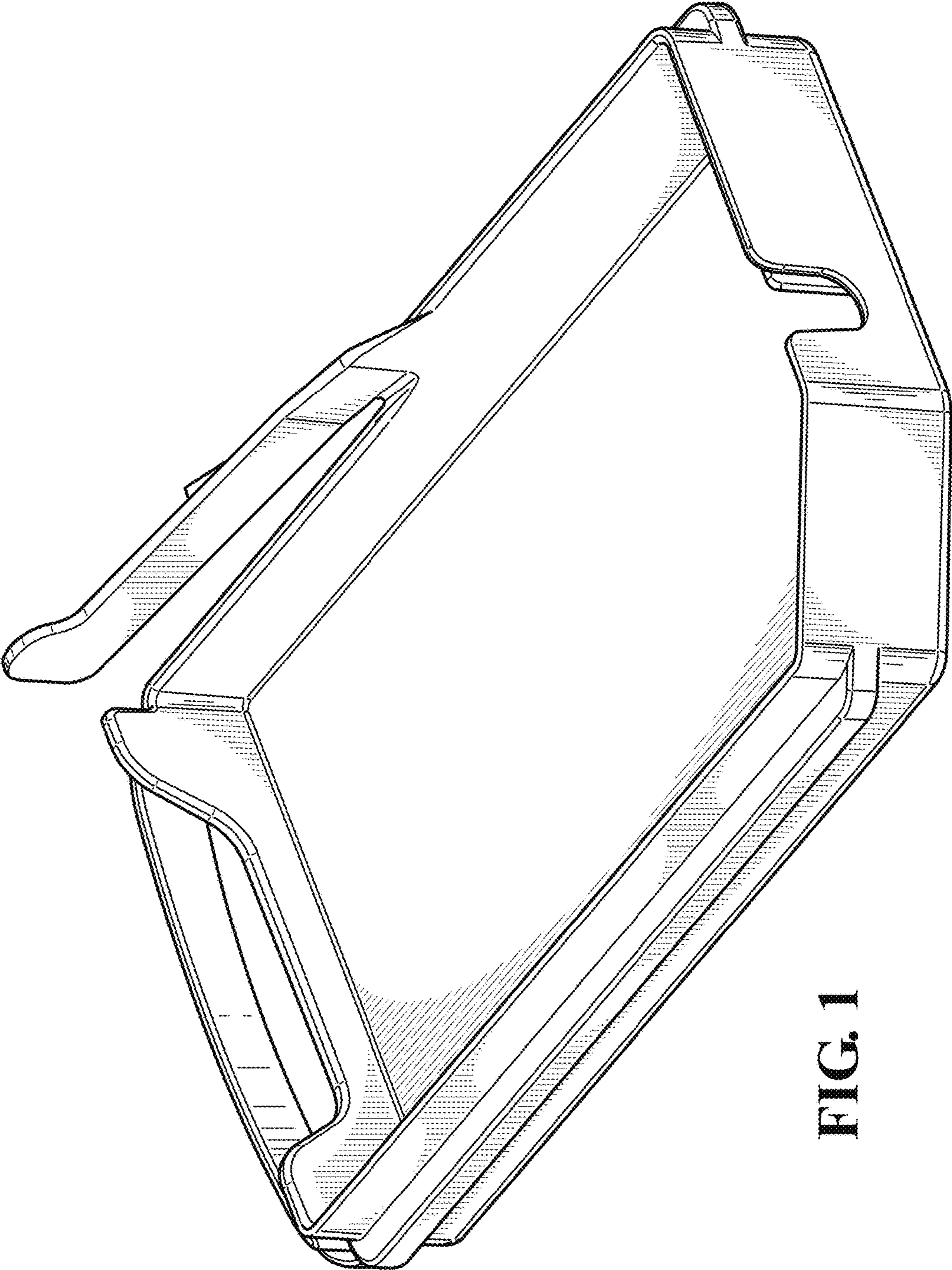


FIG. 1

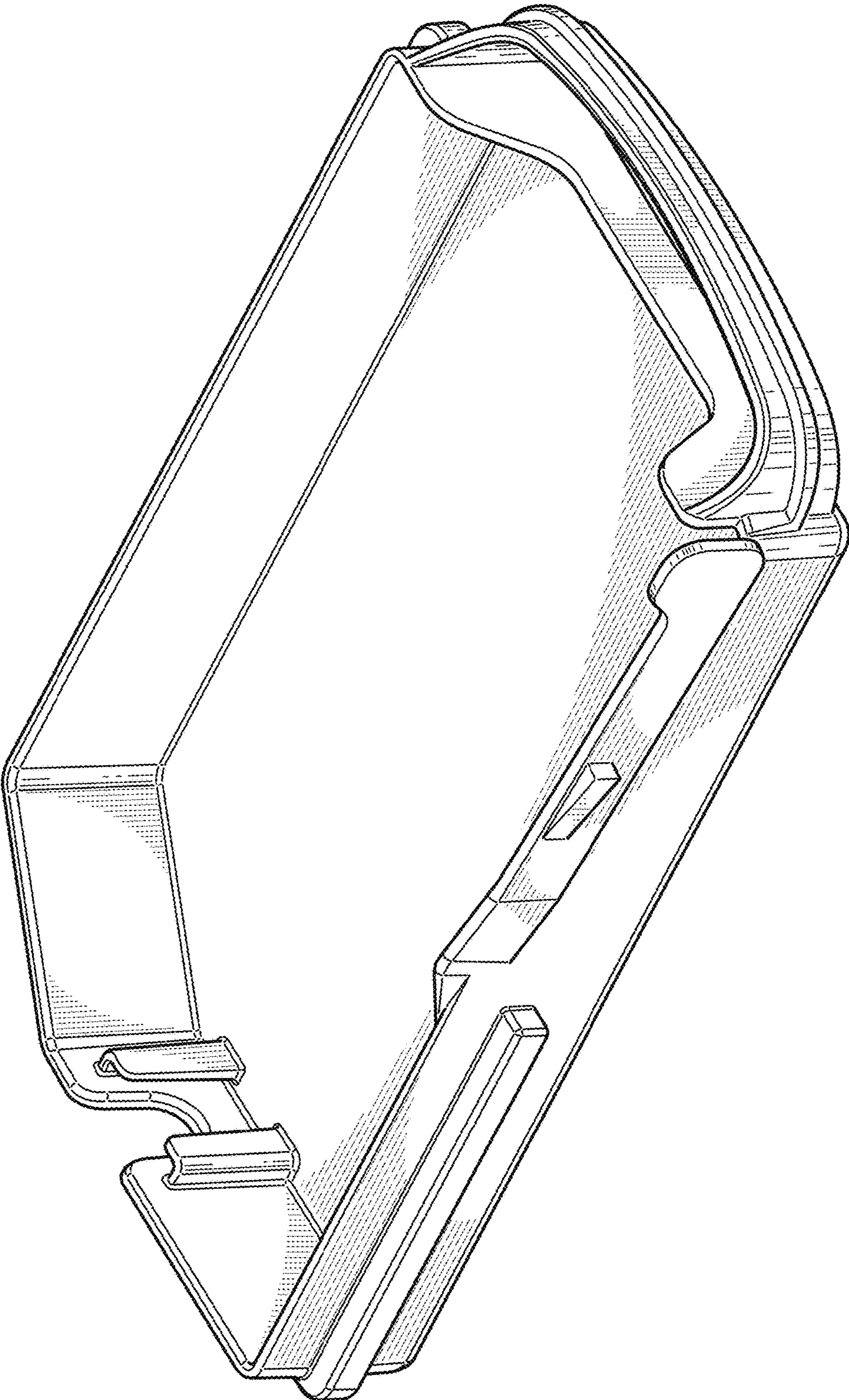


FIG. 2

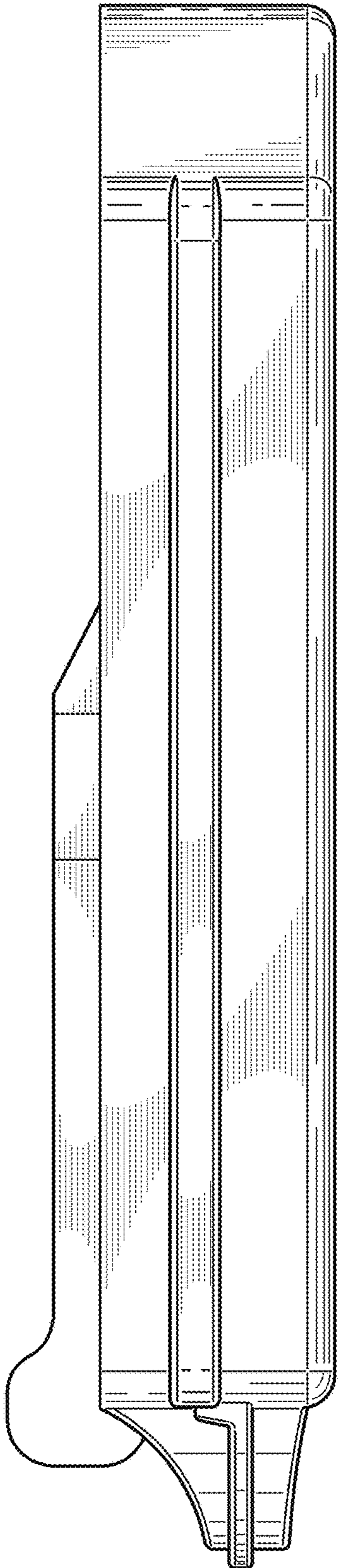


FIG. 3

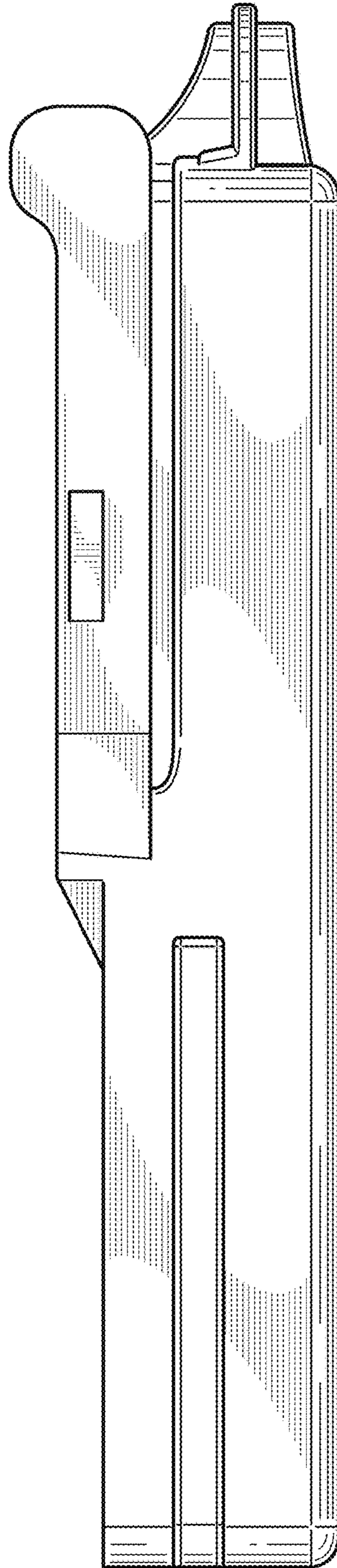


FIG. 4

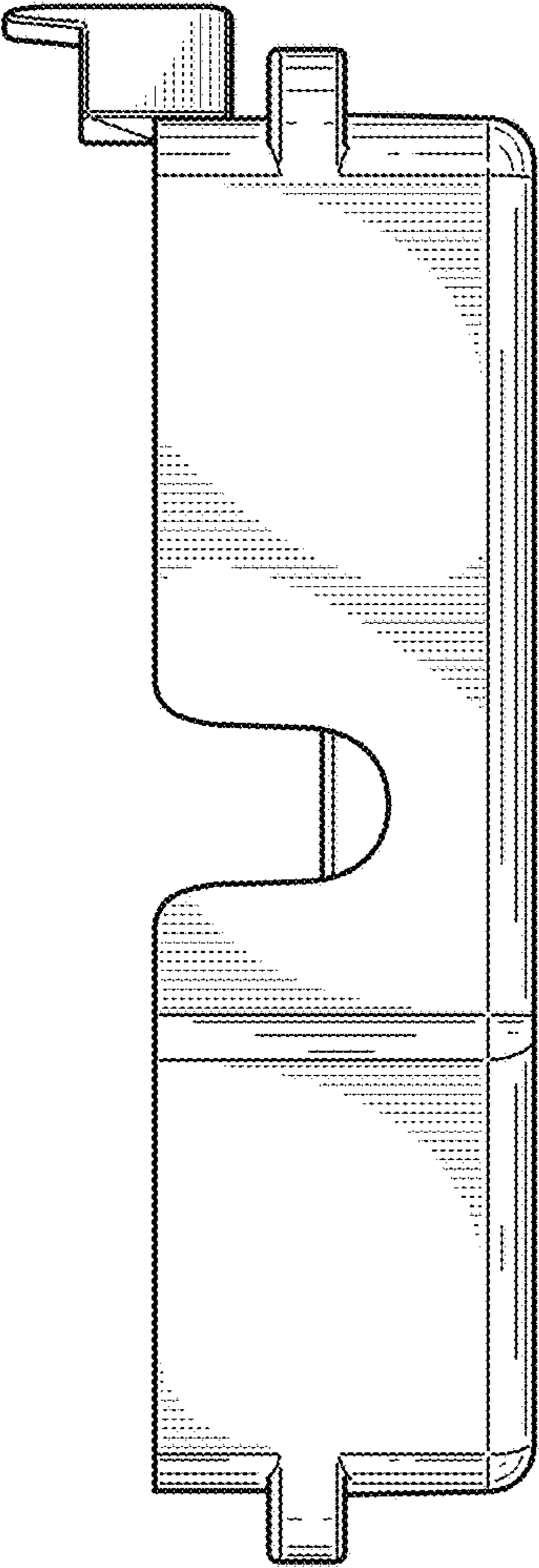


FIG. 5

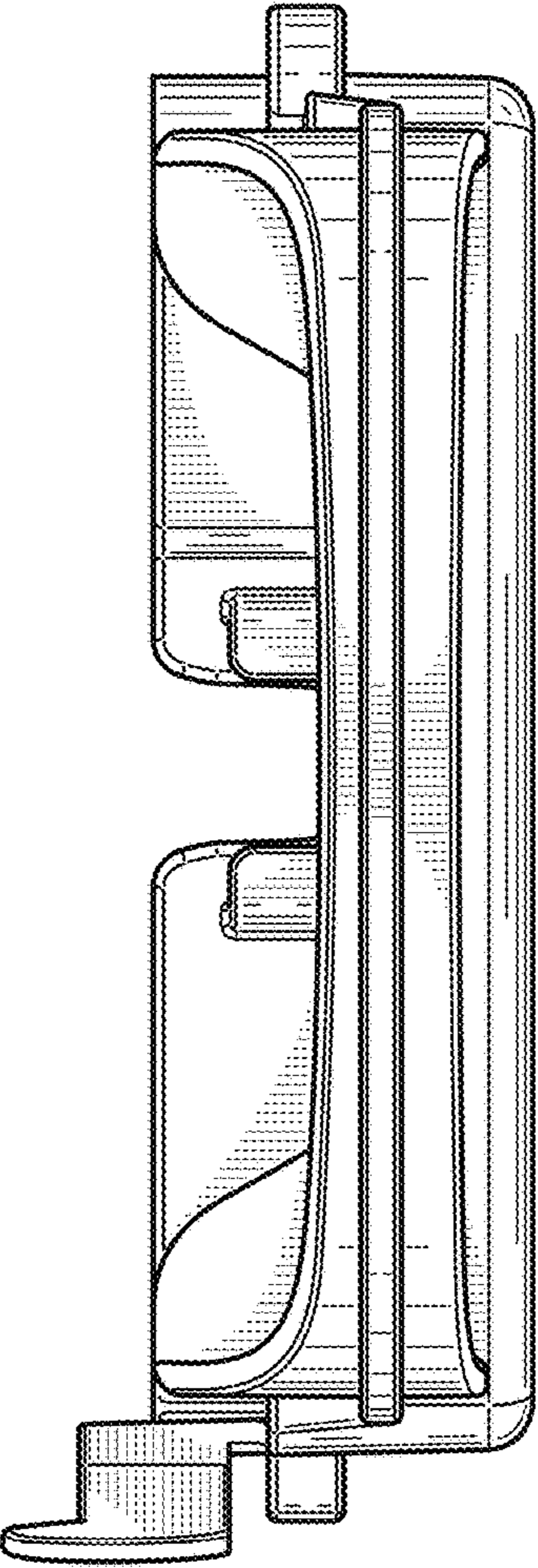


FIG. 6

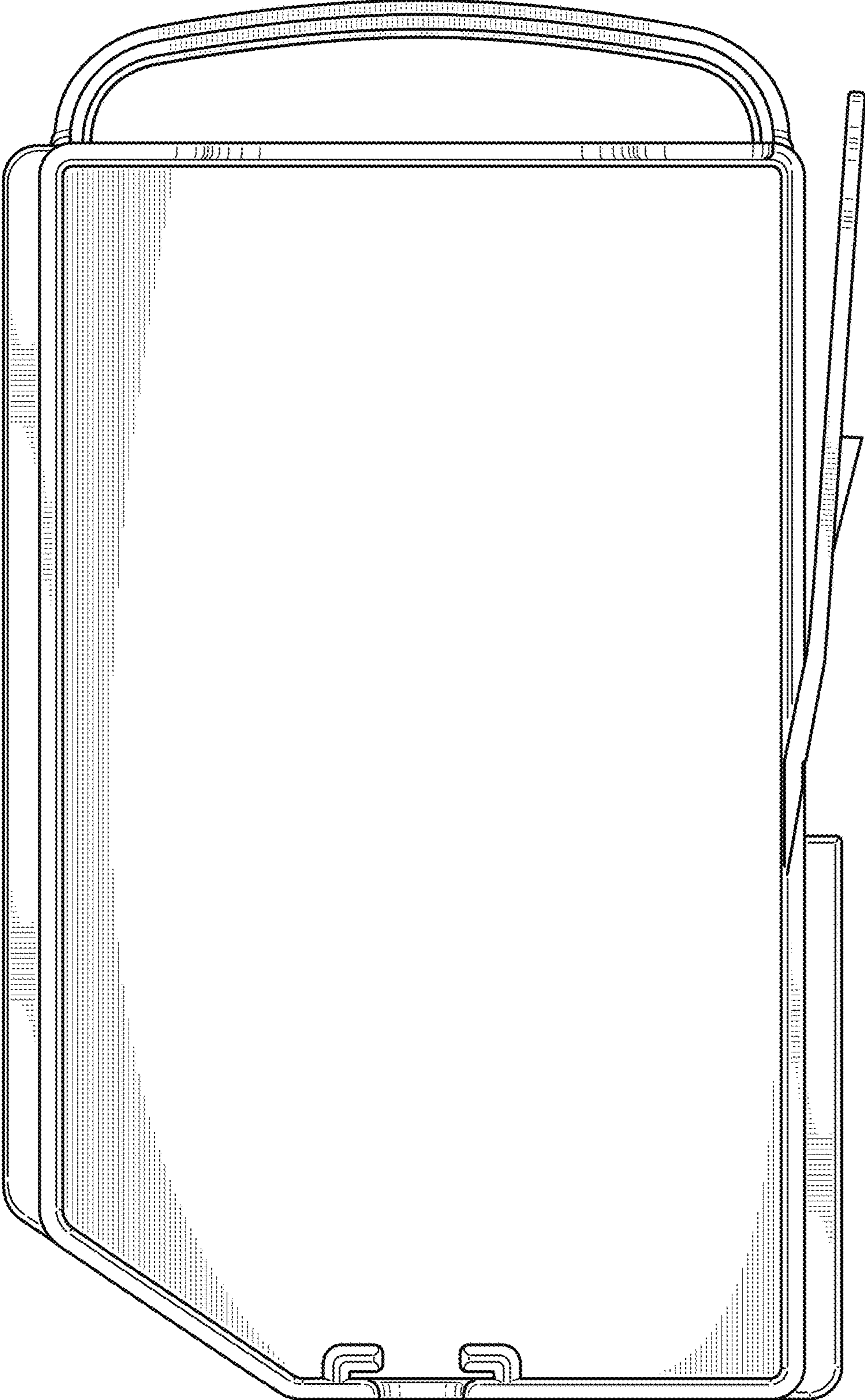


FIG. 7

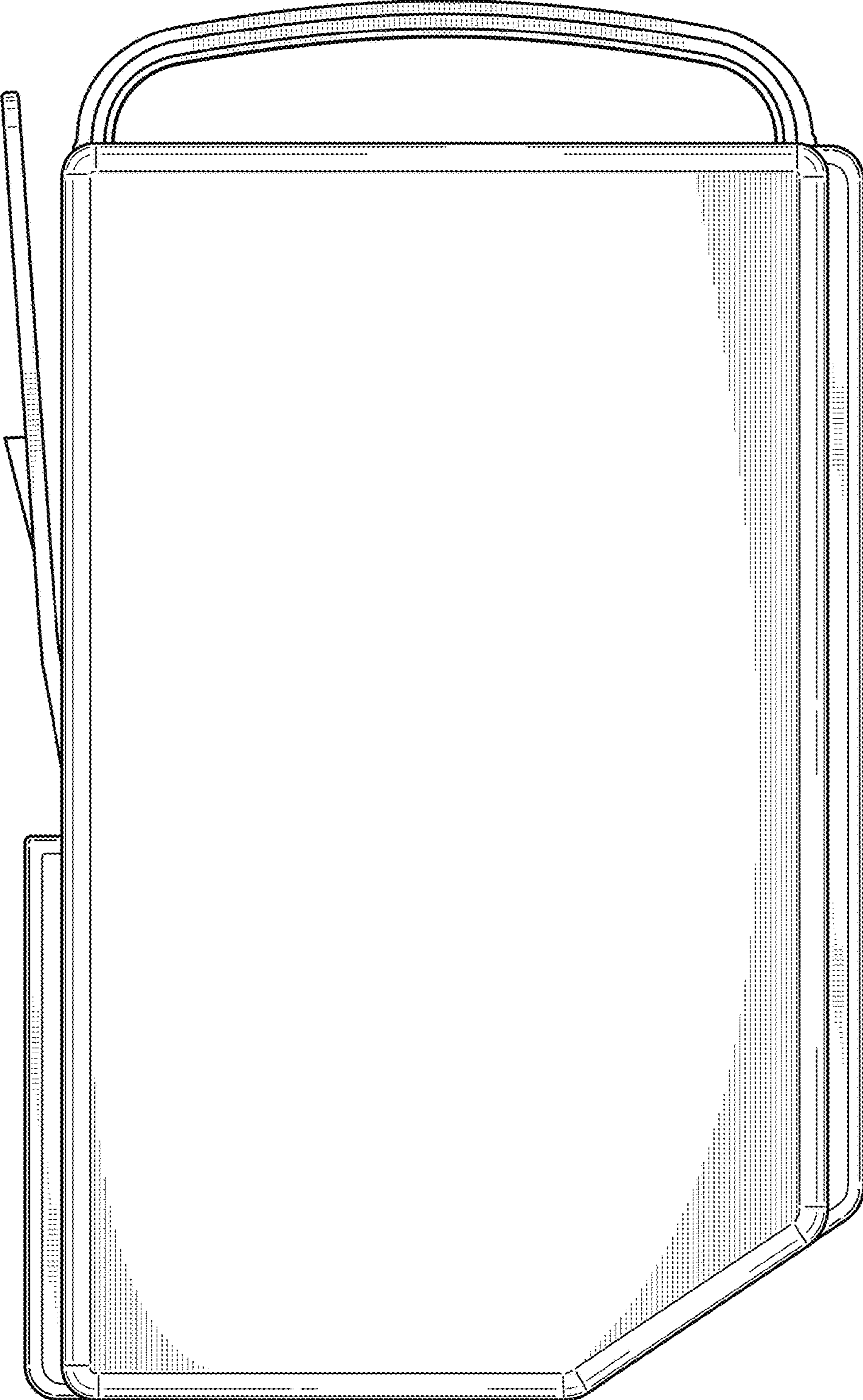


FIG. 8