



US00D787565S

(12) **United States Design Patent**
Broen et al.

(10) **Patent No.:** **US D787,565 S**

(45) **Date of Patent:** **** May 23, 2017**

(54) **COOLER**

(71) Applicant: **PepsiCo, Inc.**, Purchase, NY (US)

(72) Inventors: **Martin Eduardo Broen**, New York, NY (US); **Stephen Lim**, Chappaqua, NY (US); **Christian Stolarz**, Brooklyn, NY (US); **David Jennings Lucas**, Austin, TX (US); **Salvatore Michael Primo**, Austin, TX (US)

(73) Assignee: **PepsiCo, Inc.**, Purchase, NY (US)

(**) Term: **15 Years**

(21) Appl. No.: **29/539,858**

(22) Filed: **Sep. 17, 2015**

(51) **LOC (10) Cl.** **15-07**

(52) **U.S. Cl.**
USPC **D15/81**

(58) **Field of Classification Search**
USPC D15/79-91
CPC F25D 25/025; F25D 23/028; F25D 2323/024; F25D 23/00; F25D 23/02; F25D 2323/021; F25D 23/065; F25D 11/00; F25D 2201/14; F25D 23/021; F25D 23/025; F25D 23/04; F25D 27/00; F25D 23/062; F25D 23/067; F25D 2400/18; F25D 23/08; F25D 23/085; F25D 2500/02; F25D 25/00; F25D 25/005; F25D 25/022; F25D 25/024; F25D 17/047; F25D 2317/041; F25D 2317/04131; F25D 2317/043; F25D 2317/0664; F25D 2321/147; F25D 2323/02; F25D 2323/023

See application file for complete search history.

(56) **References Cited**

U.S. PATENT DOCUMENTS

D244,019 S * 4/1977 Brown D15/85
D271,107 S * 10/1983 Trulaske D15/85

D363,398 S * 10/1995 Branz D6/661.3
5,803,560 A * 9/1998 Trulaske, Sr. A47F 3/0434
312/116
D421,534 S * 3/2000 Trulaske, Sr. D15/81
D449,844 S * 10/2001 Kim D15/81
D481,224 S * 10/2003 Draper D15/81
D481,740 S * 11/2003 Li D15/81
D513,014 S * 12/2005 Seki D15/81

(Continued)

Primary Examiner — Ian Simmons

Assistant Examiner — Khawaja Anwar

(74) *Attorney, Agent, or Firm* — Sterne, Kessler, Goldstein & Fox P.L.L.C.

(57) **CLAIM**

The ornamental design for a cooler, as shown and described.

DESCRIPTION

FIG. 1 is a top front perspective view of a first embodiment of a cooler showing the claimed design;

FIG. 2 is a front view thereof;

FIG. 3 is a rear view thereof;

FIG. 4 is a left side view thereof;

FIG. 5 is a right side view thereof;

FIG. 6 is a top view thereof;

FIG. 7 is a bottom view thereof;

FIG. 8 is a top front perspective view of a second embodiment of a cooler showing the claimed design;

FIG. 9 is a front view thereof;

FIG. 10 is a rear view thereof;

FIG. 11 is a left side view thereof;

FIG. 12 is a right side view thereof;

FIG. 13 is a top view thereof; and,

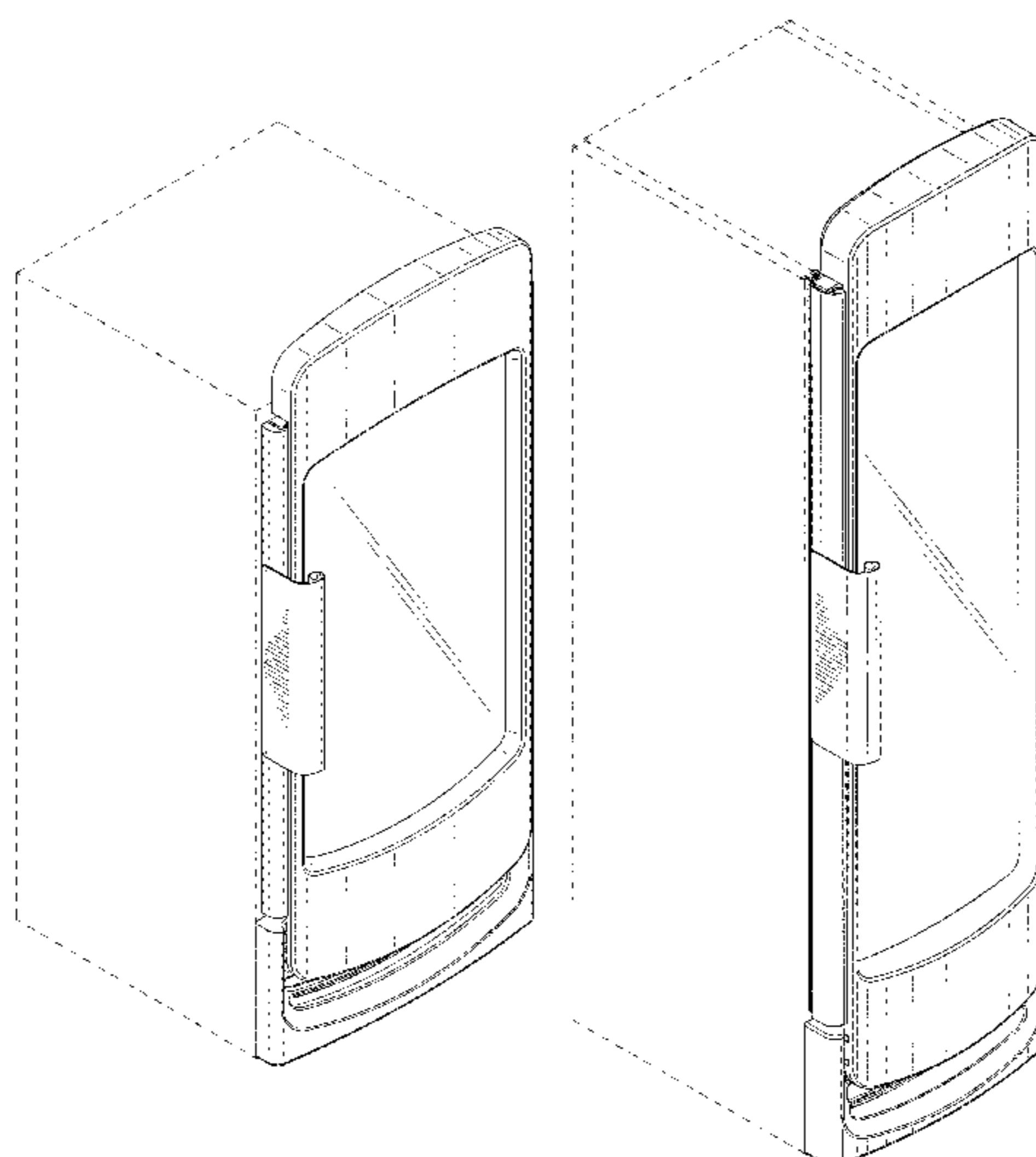
FIG. 14 is a bottom view thereof.

The shade lines in the figures show contour and not surface ornamentation.

The oblique shade lines in the figures show transparency or translucency.

The broken lines in the figures show portions of the cooler that form no part of the claimed design.

1 Claim, 14 Drawing Sheets



(56)

References Cited

U.S. PATENT DOCUMENTS

D518,836 S *	4/2006	Reese	D15/89
D519,528 S *	4/2006	Reese	D15/89
D520,030 S *	5/2006	Reese	D15/89
D520,532 S *	5/2006	Reese	D15/89
D520,533 S *	5/2006	Reese	D15/89
D541,315 S *	4/2007	Trulaske, Sr.	D15/81
D671,576 S *	11/2012	Jafa	D15/91
D723,594 S *	3/2015	Kim	D15/91
D736,276 S *	8/2015	Kim	D15/89
D746,879 S *	1/2016	Stolarz	D15/81
D748,689 S *	2/2016	Girardi	D15/81
D762,741 S *	8/2016	Galiatsis	D15/81
D762,742 S *	8/2016	Galiatsis	D15/81

* cited by examiner

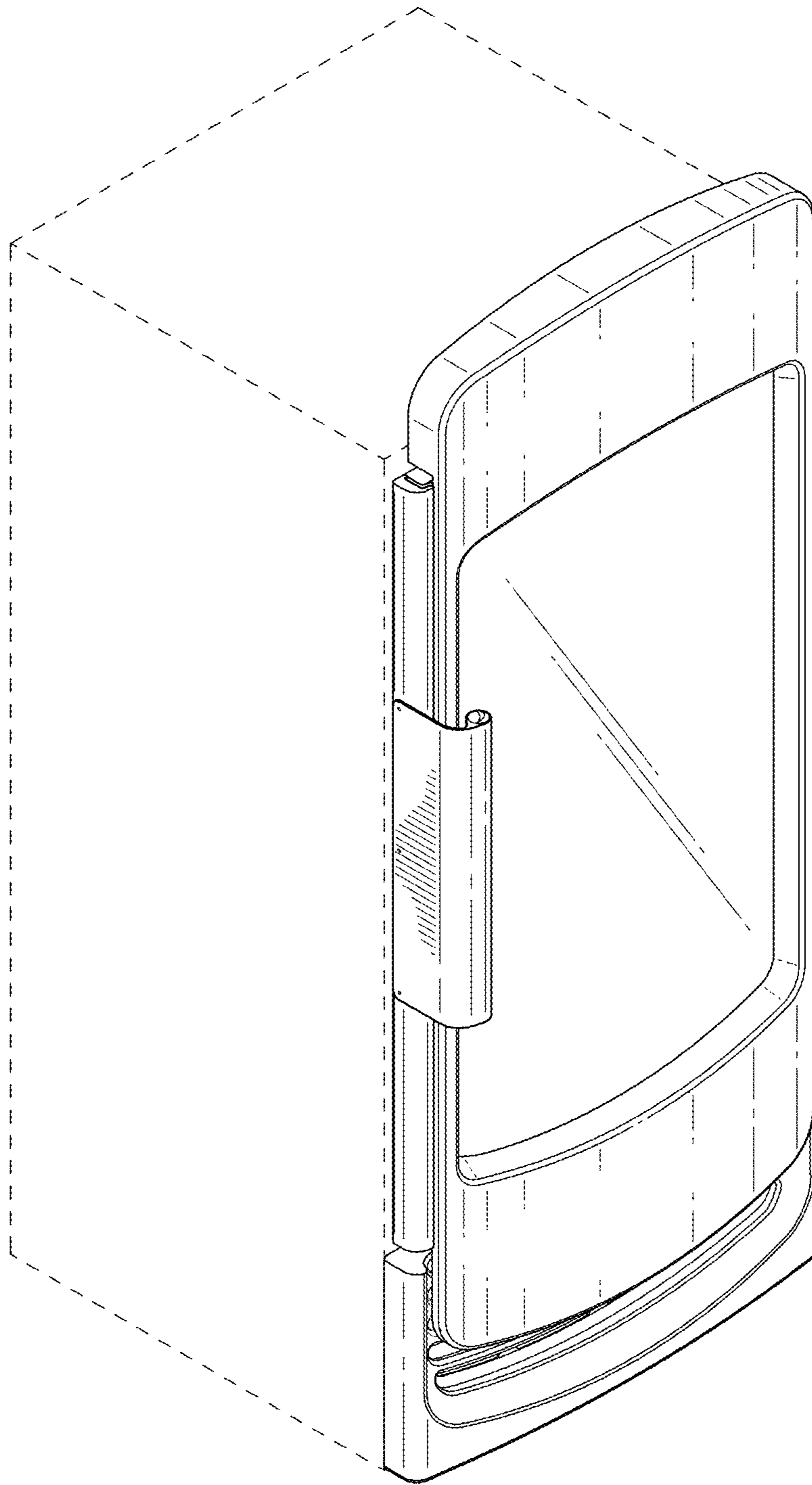


FIG. 1

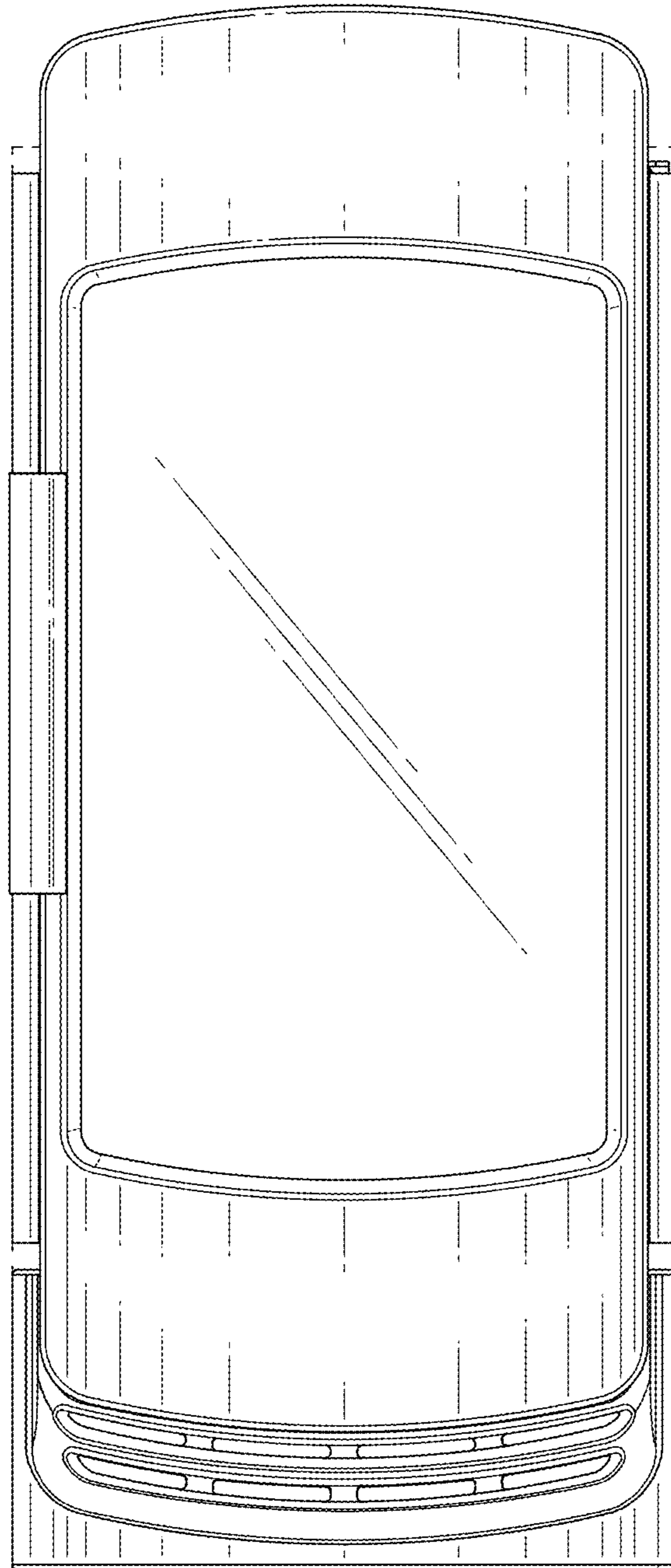


FIG. 2

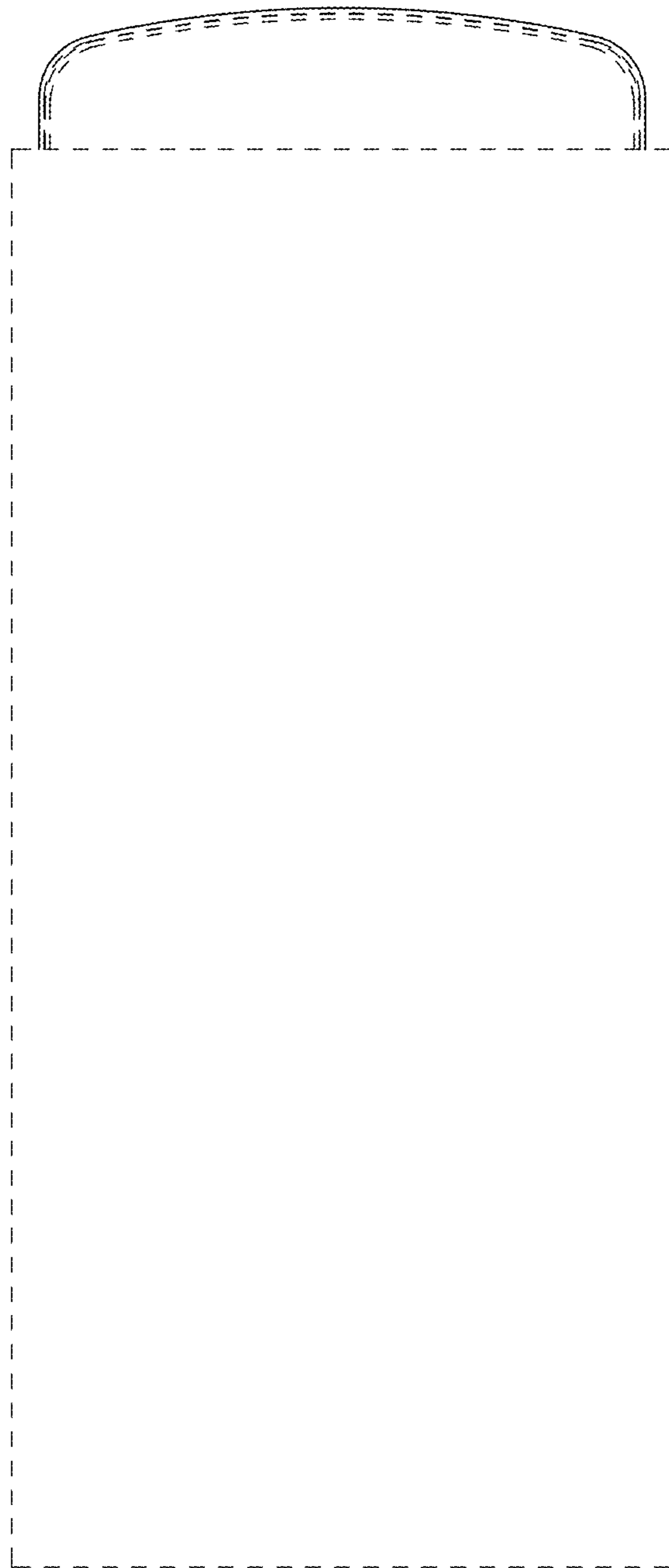


FIG. 3

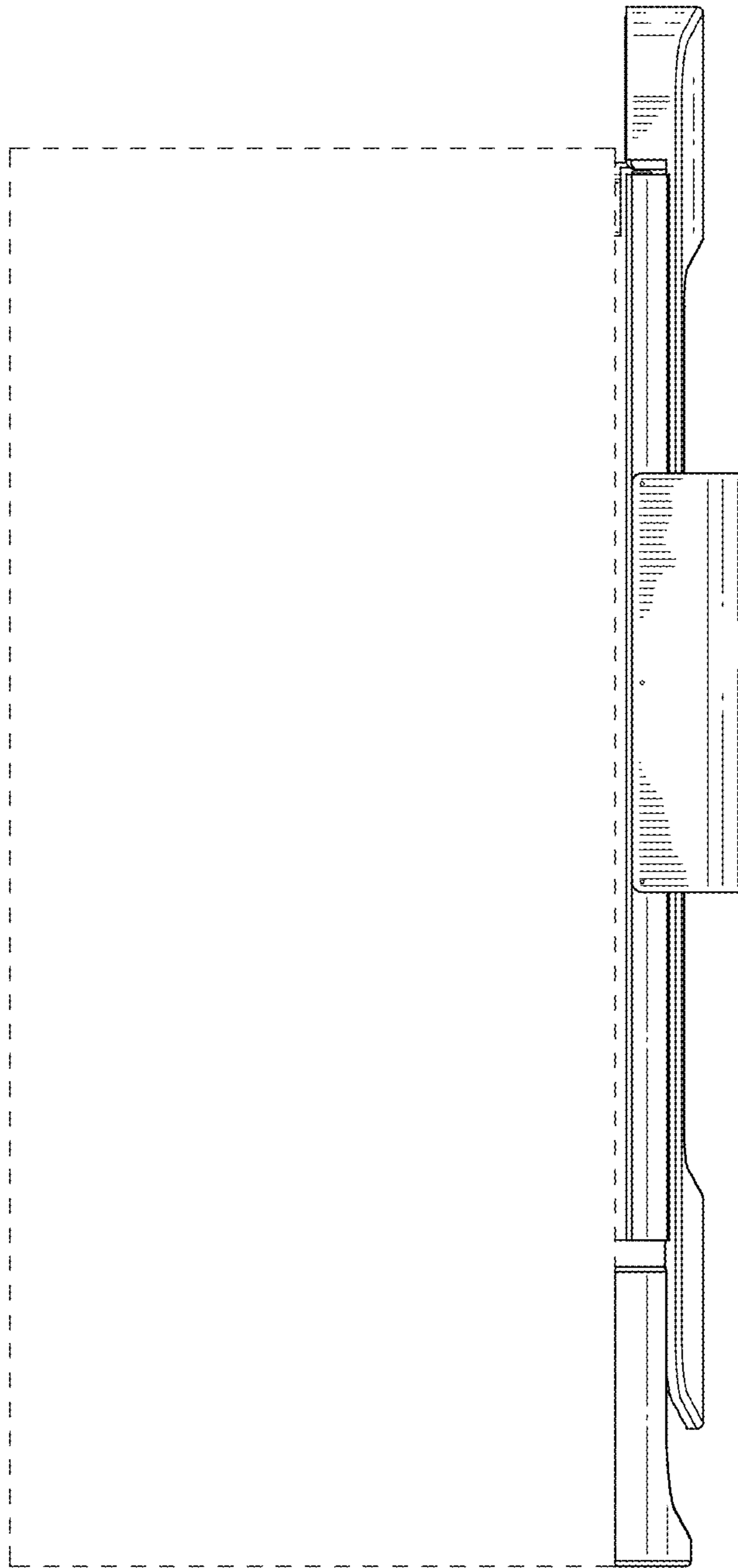


FIG. 4

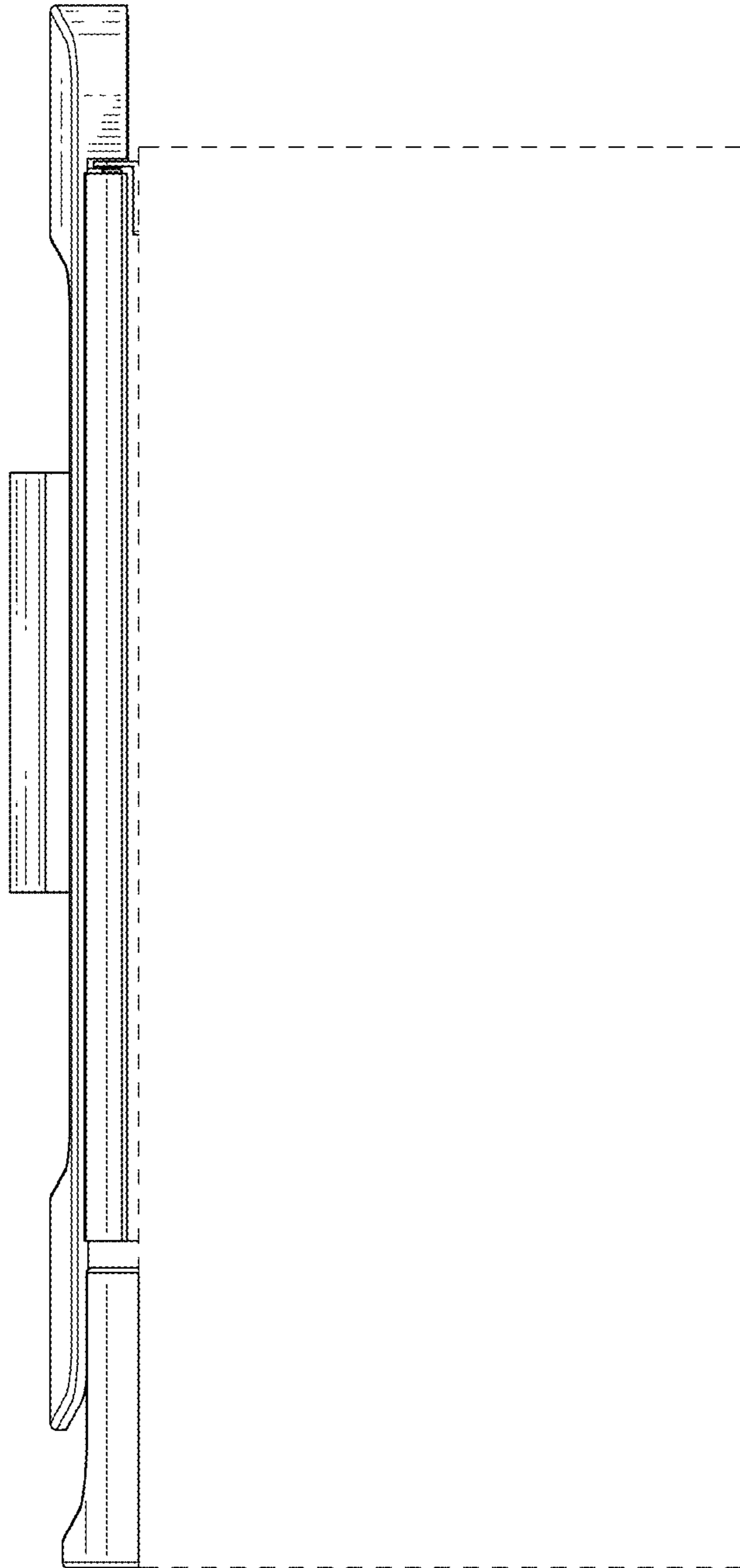


FIG. 5

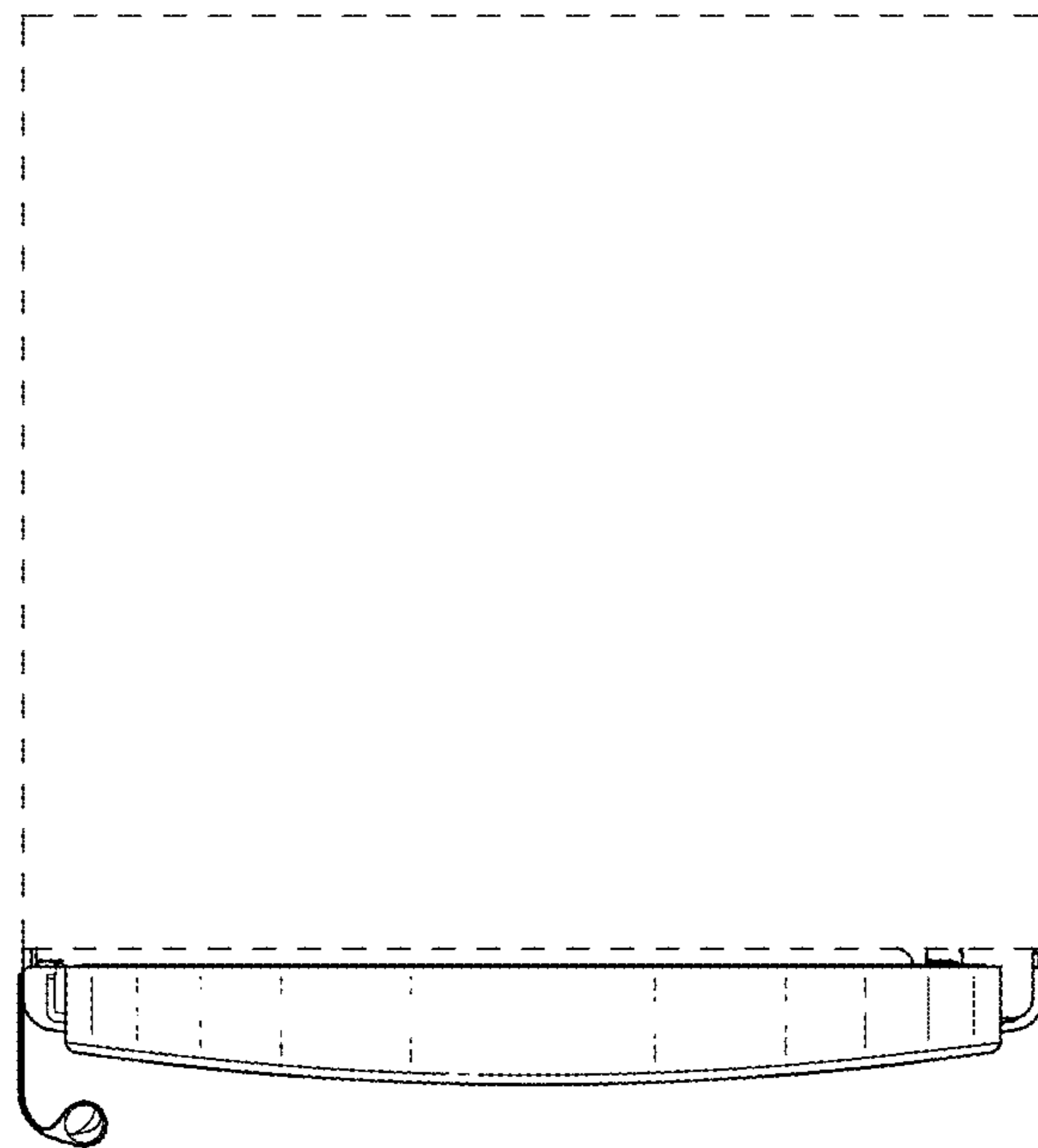


FIG. 6

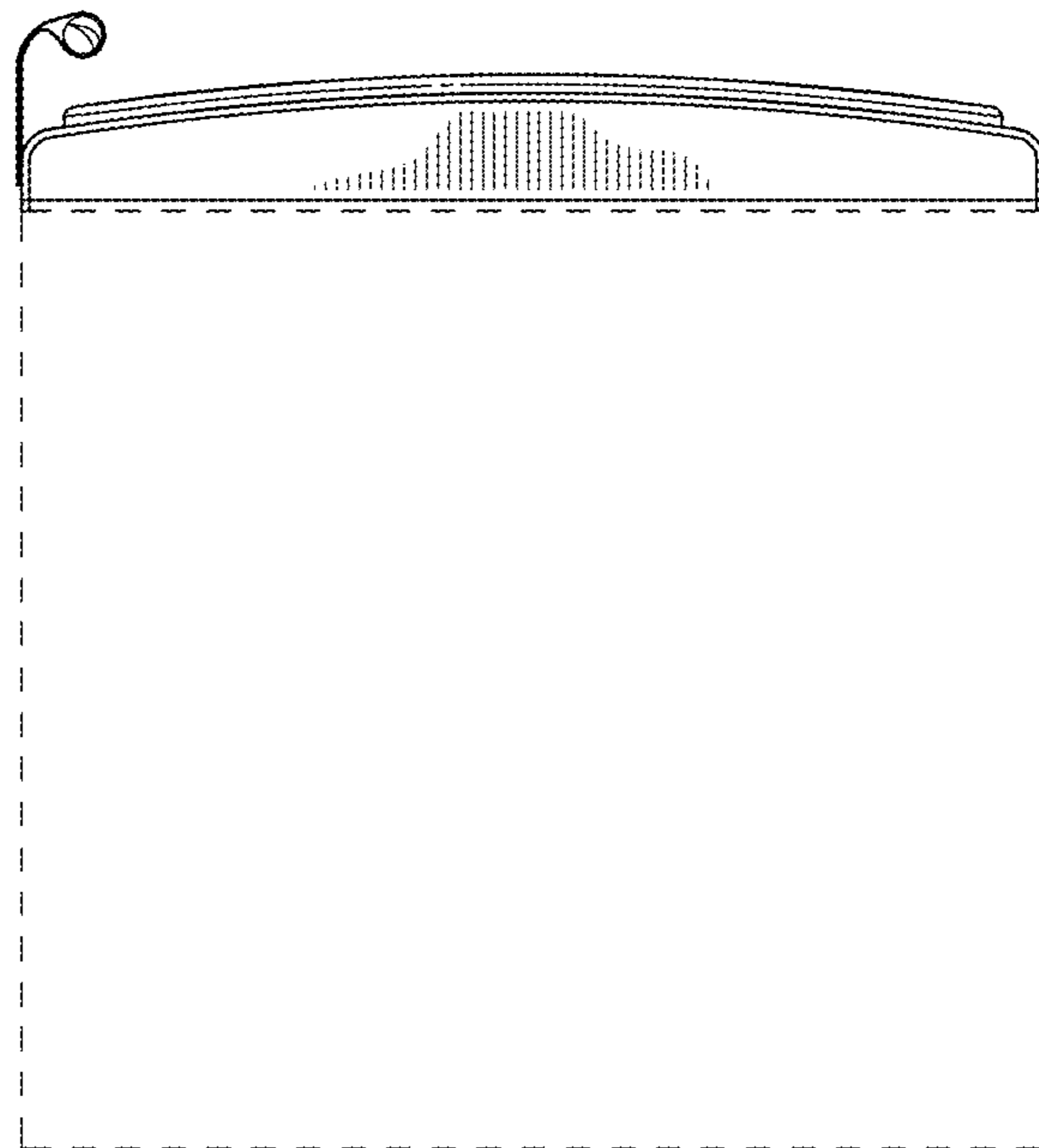


FIG. 7

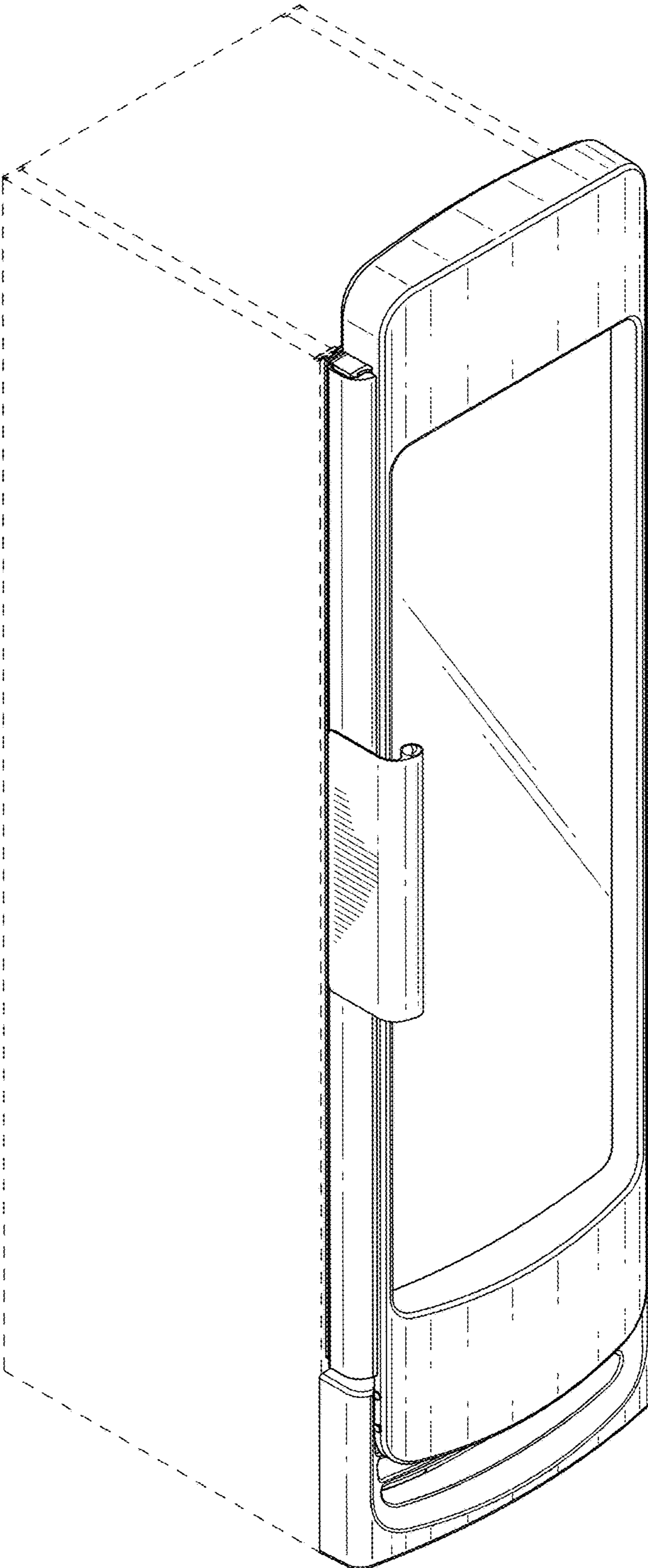


FIG. 8

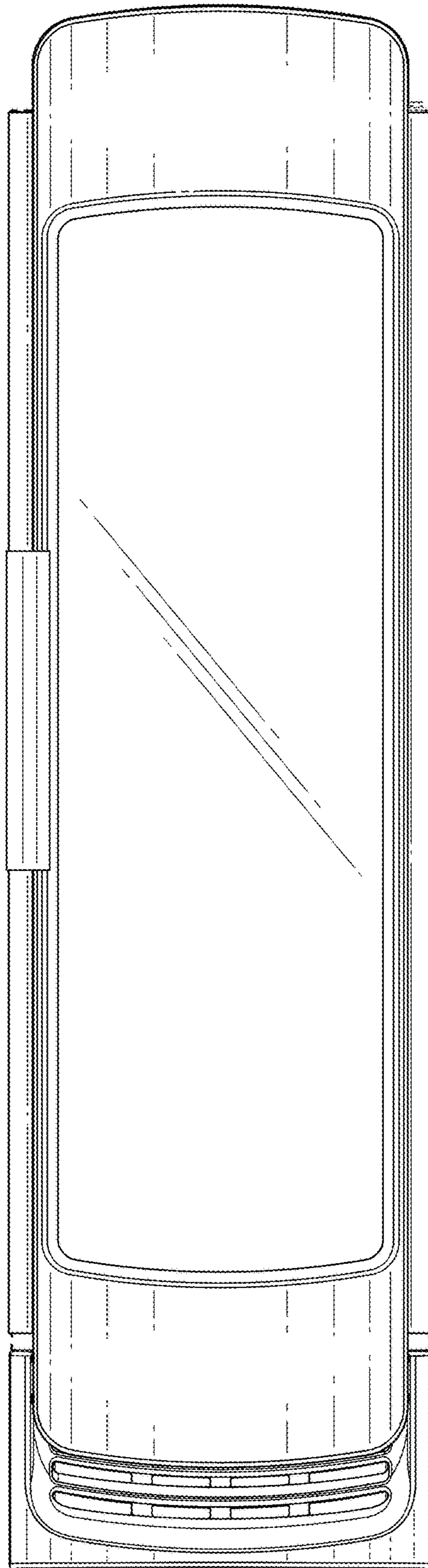


FIG. 9

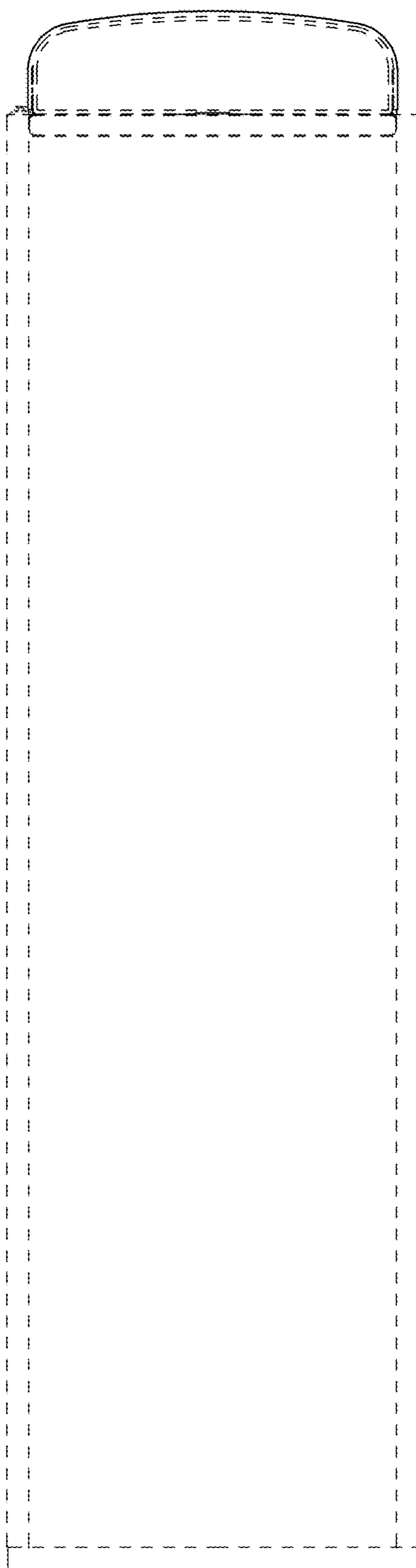


FIG. 10

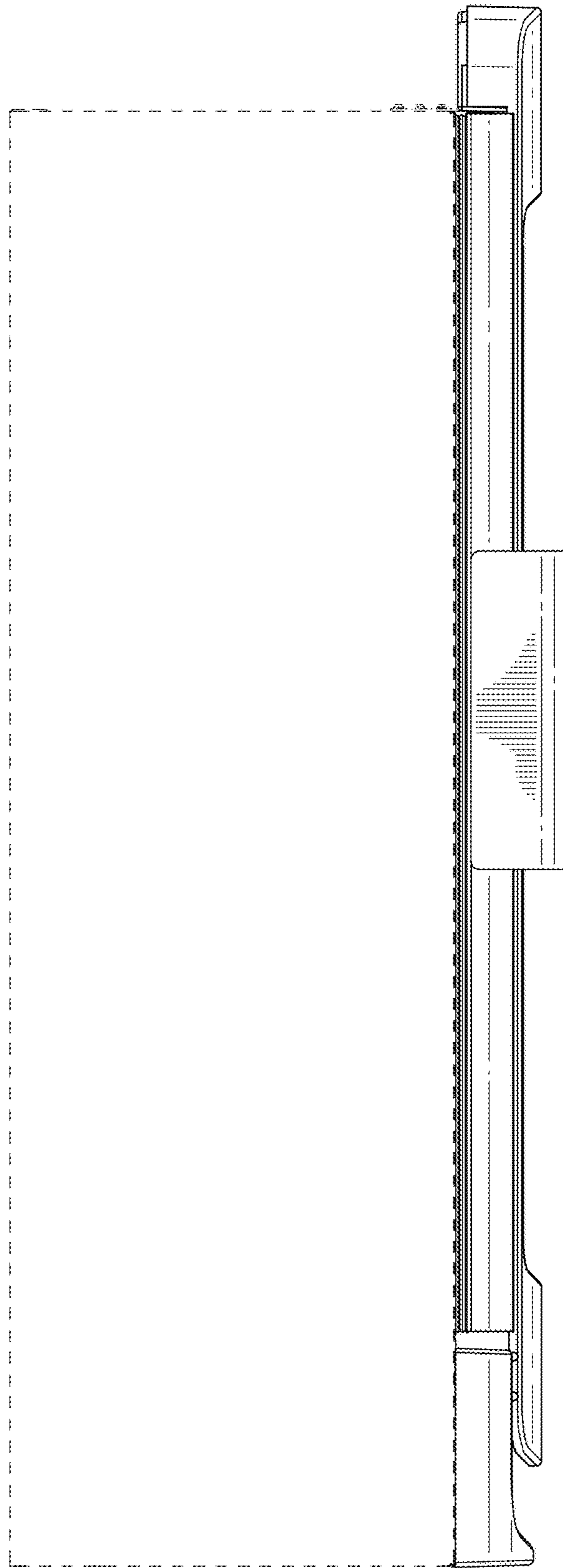


FIG. 11

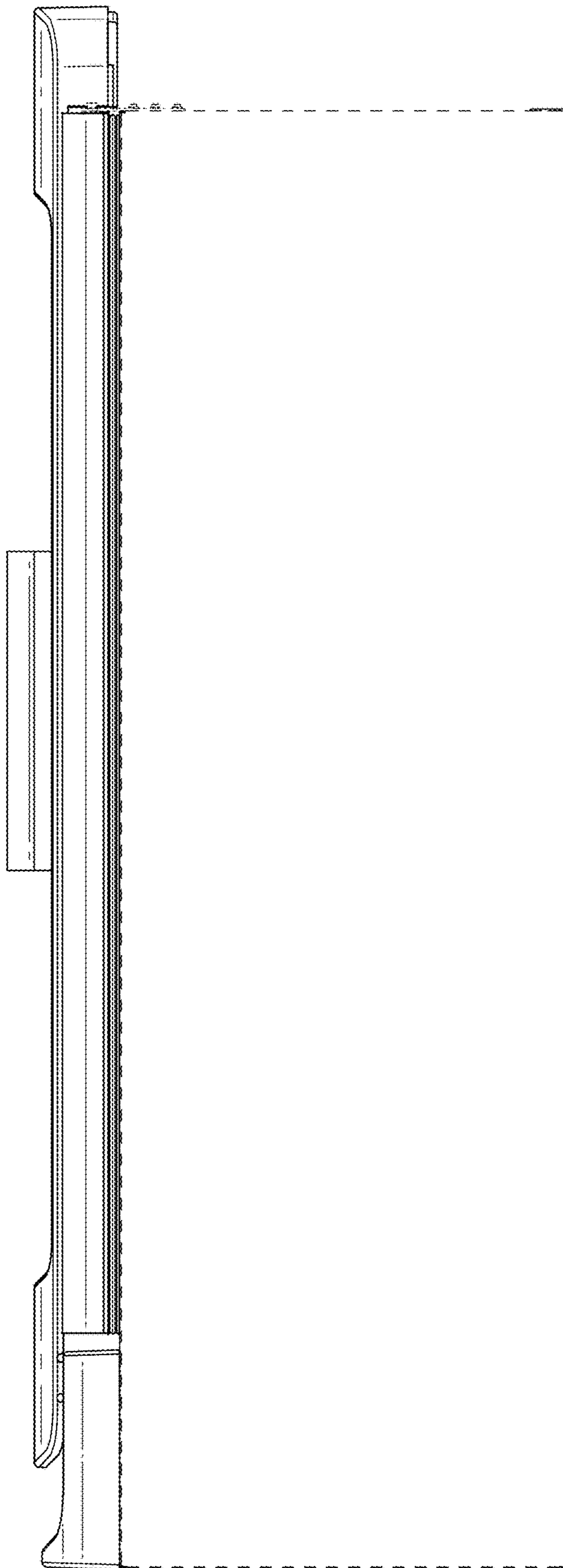


FIG. 12

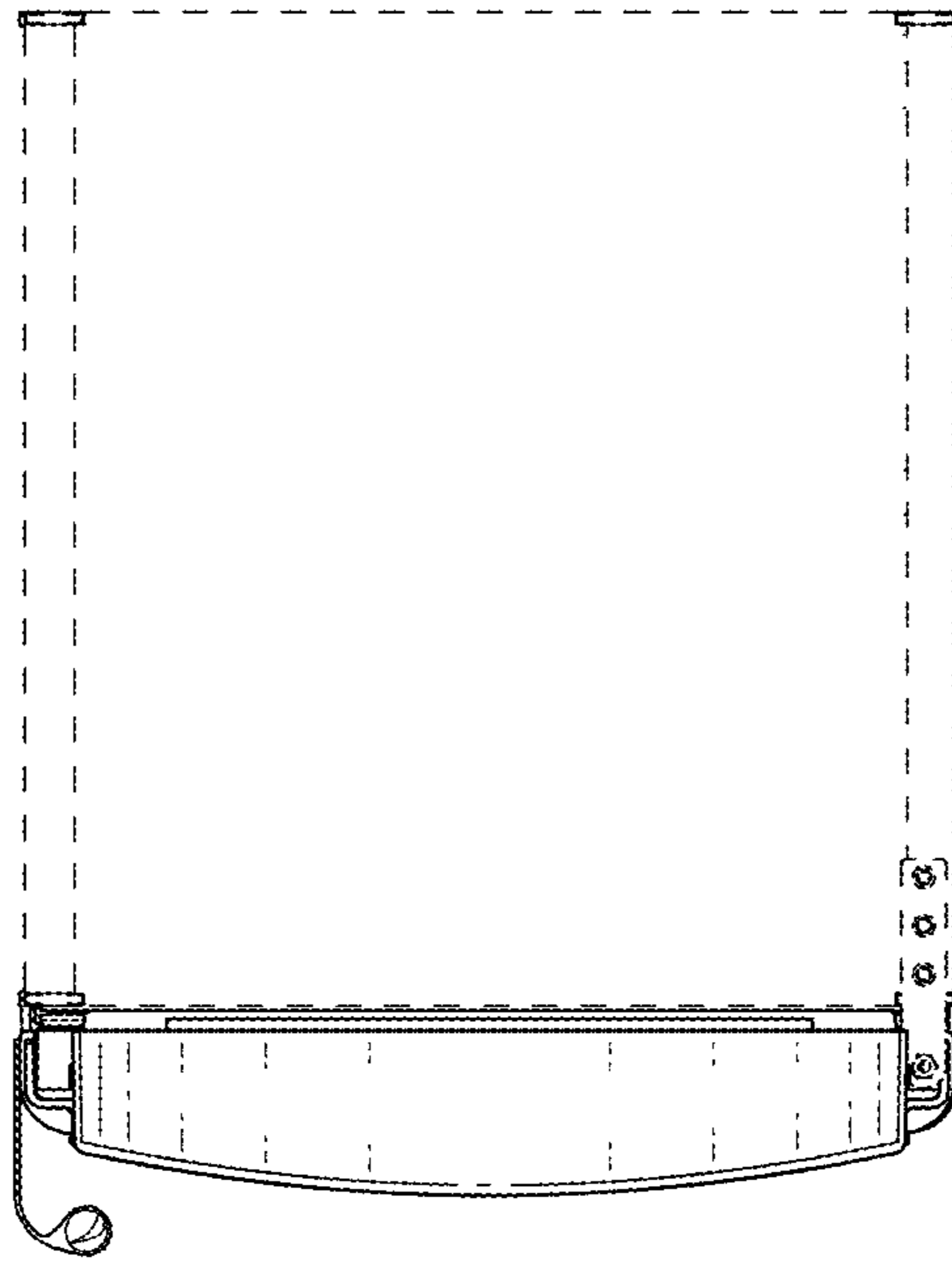


FIG. 13

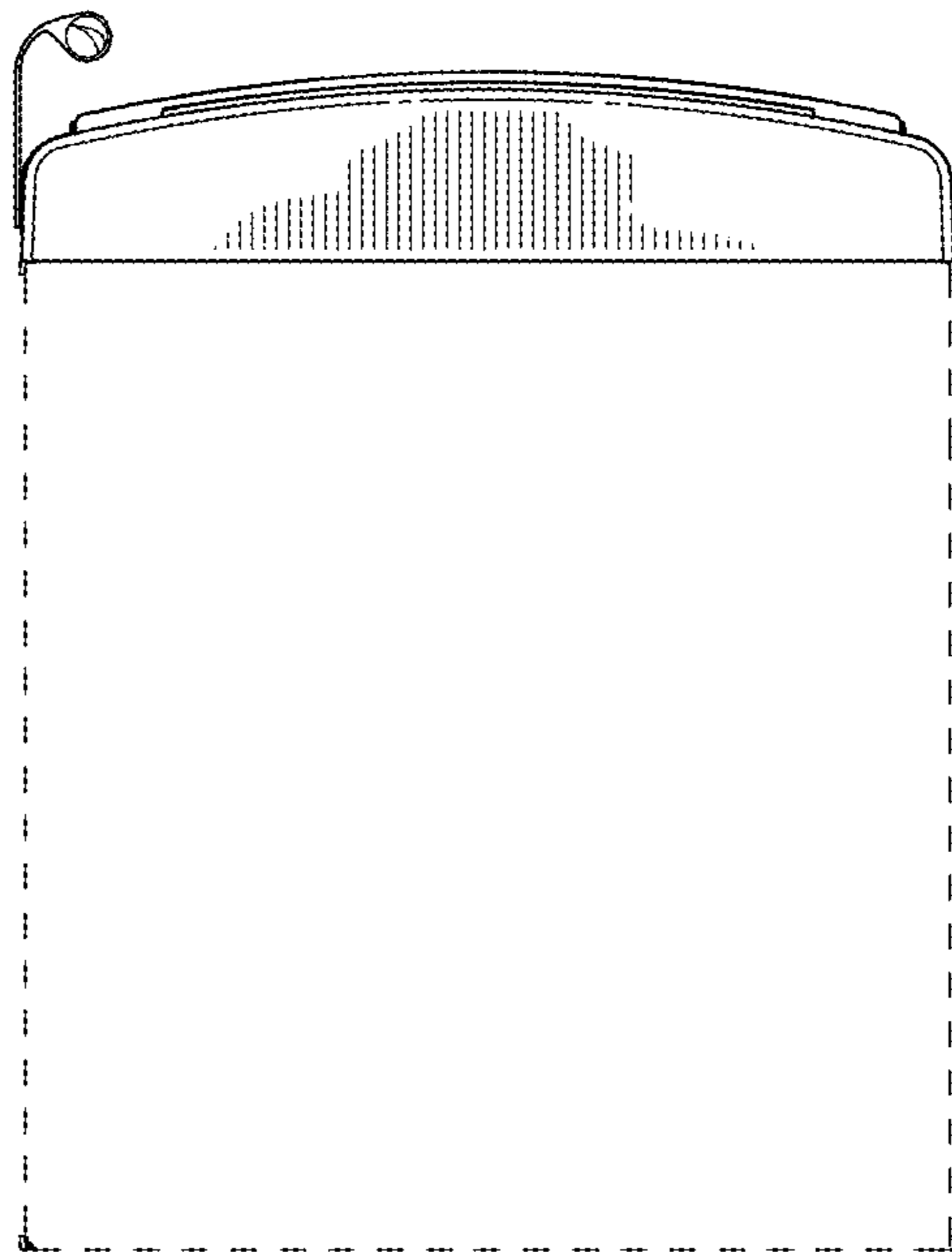


FIG. 14