



US00D787561S

(12) **United States Design Patent** (10) **Patent No.:** **US D787,561 S**
Theiss (45) **Date of Patent:** **** May 23, 2017**

(54) **PUMP PORTION OF A POSITIVE DISPLACEMENT PUMP ASSEMBLY**

FOREIGN PATENT DOCUMENTS

(71) Applicant: **Watson Marlow GmbH**, Ilsfeld (DE)

RU 67820 S U1 11/2007
TW D158574 1/2014

(72) Inventor: **Peter Theiss**, Stuttgart (DE)

OTHER PUBLICATIONS

(73) Assignee: **Watson Marlow GmbH**, Ilsfeld (DE)

Notice of Allowance for Russian Application No. 2016500807/49 dated Mar. 4, 2016.

(**) Term: **15 Years**

(Continued)

(21) Appl. No.: **29/557,512**

Primary Examiner — Ralf Seifert

(22) Filed: **Mar. 9, 2016**

(74) *Attorney, Agent, or Firm* — Honigman Miller Schwartz and Cohn LLP

(30) **Foreign Application Priority Data**

Sep. 9, 2015 (EM) 002769489

(51) **LOC (10) Cl.** **15-02**

(52) **U.S. Cl.**
USPC **D15/7**

(58) **Field of Classification Search**

USPC D15/7-9; D23/231, 232, 225; 417/60, 417/235, 265, 321, 355, 358, 363, 359, 417/410.1, 415-416, 405, 900, 269, 539; 60/408, 412; 184/26-37; 415/140-147; 123/495, 509; 137/565.34
CPC F02M 37/04; F02M 37/14; F04B 53/92; F04B 1/005

See application file for complete search history.

(56) **References Cited**

U.S. PATENT DOCUMENTS

D229,236 S * 11/1973 Doolin D15/7
D306,448 S * 3/1990 Lannoch D15/7
D538,826 S * 3/2007 Kienzle D15/9
D613,635 S * 4/2010 Chu D15/9
D650,813 S * 12/2011 Varini D15/7
D657,799 S * 4/2012 Jung D15/7
D660,320 S * 5/2012 Varini D15/7

(Continued)

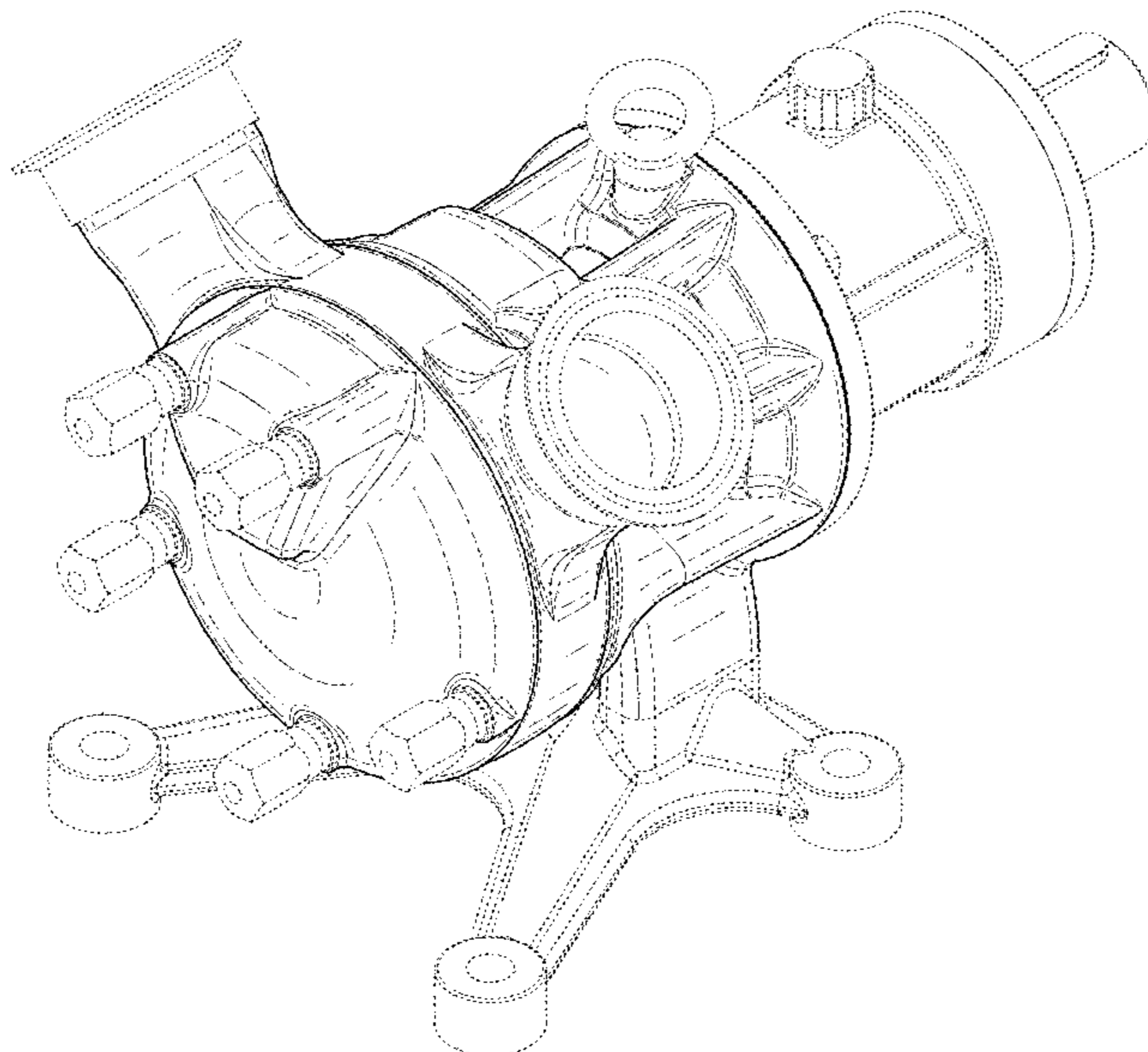
(57) **CLAIM**

The ornamental design for a pump portion of a positive displacement pump assembly, as shown and described.

DESCRIPTION

FIG. 1 is a front/right side isometric view of an embodiment of a pump portion of a positive displacement pump assembly (the ghosted lines form no part of the claimed design); FIG. 2 is a front elevational view of the pump section of FIG. 1 (the ghosted lines form no part of the claimed design); FIG. 3 is a rear elevational view of the pump section of FIG. 1 (the ghosted lines form no part of the claimed design); FIG. 4 is a right side elevational view of the pump section of FIG. 1 (the ghosted lines form no part of the claimed design); FIG. 5 is a left side elevational view of the pump section of FIG. 1 (the ghosted lines form no part of the claimed design); FIG. 6 is a top view of the pump section of FIG. 1 (the ghosted lines form no part of the claimed design); and, FIG. 7 is a bottom view of the pump section of FIG. 1 (the ghosted lines form no part of the claimed design).

1 Claim, 7 Drawing Sheets



(56)

References Cited

U.S. PATENT DOCUMENTS

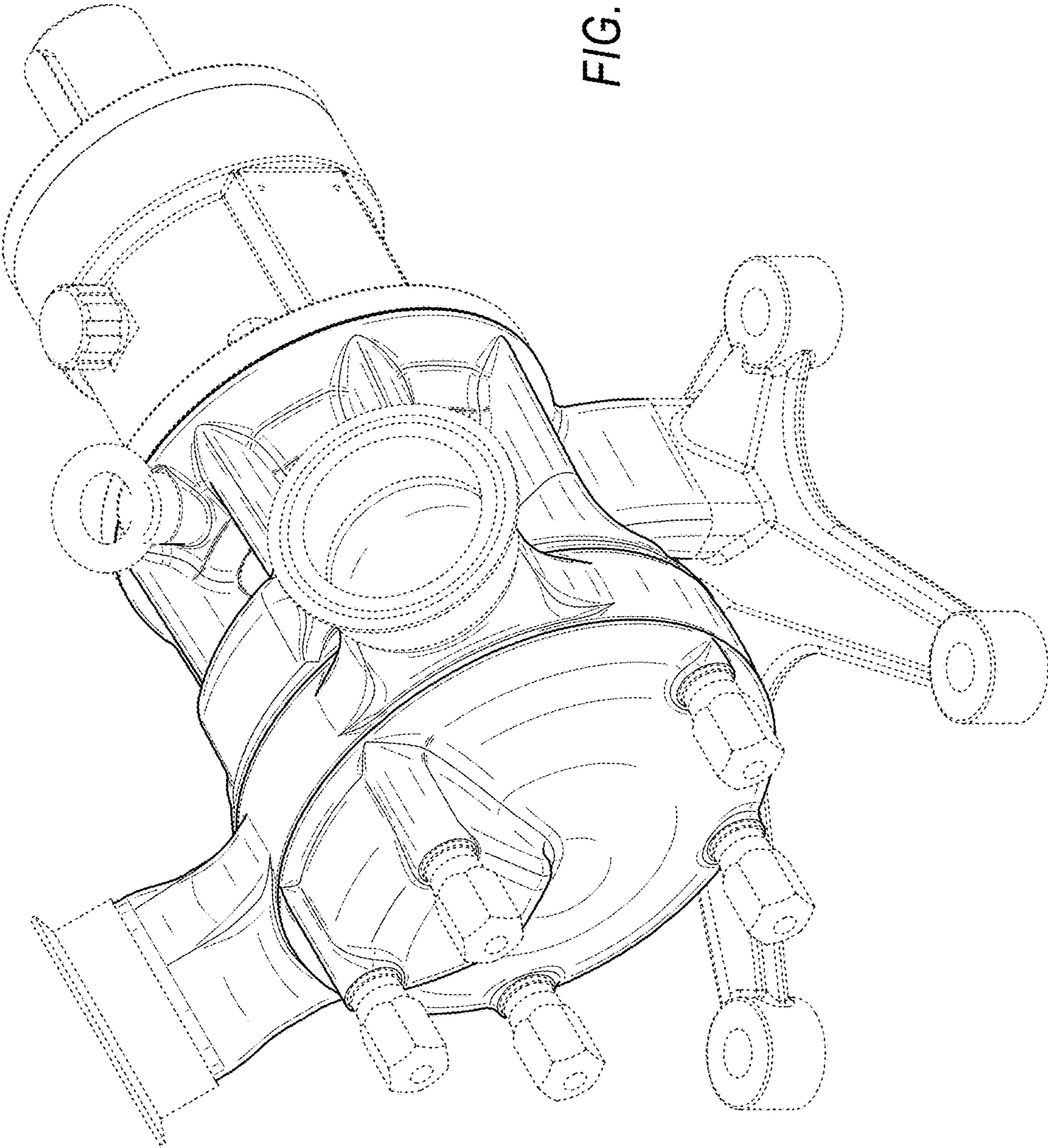
D668,684 S * 10/2012 Noguchi D15/9
D672,787 S * 12/2012 Soderstrom D15/7
D695,318 S * 12/2013 Link D15/9
D719,192 S * 12/2014 Schlenker D15/7
D725,153 S * 3/2015 Berry D15/7
D745,058 S * 12/2015 Iversen D15/7
D763,322 S * 8/2016 Haugaard D15/7
D774,102 S * 12/2016 Ellman D15/9
D776,720 S * 1/2017 Davalos D15/7

OTHER PUBLICATIONS

Notice of Allowance for the Taiwanese Application No.
105301186 dated Jun. 29, 2016.

* cited by examiner

FIG. 1



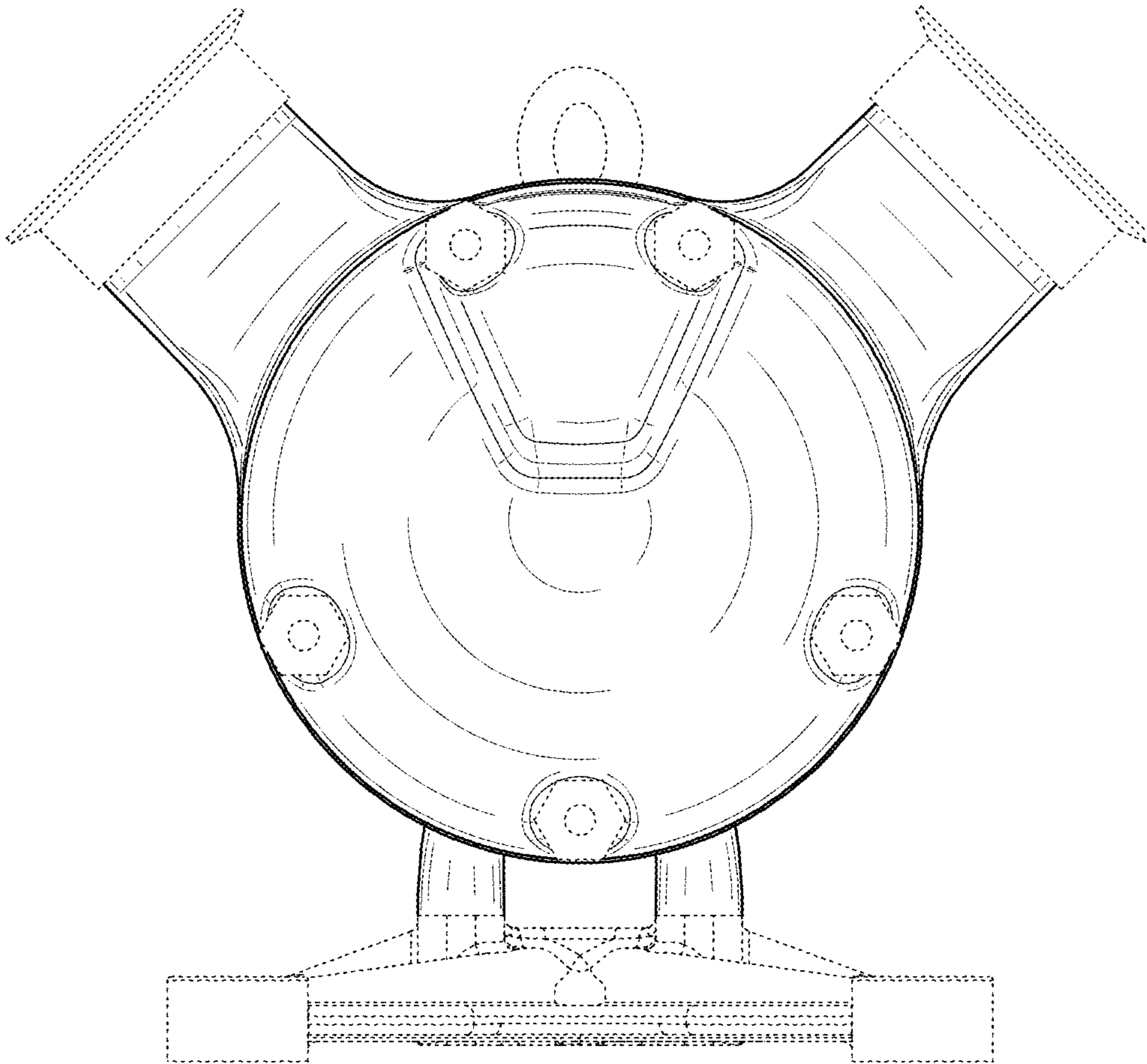


FIG. 2

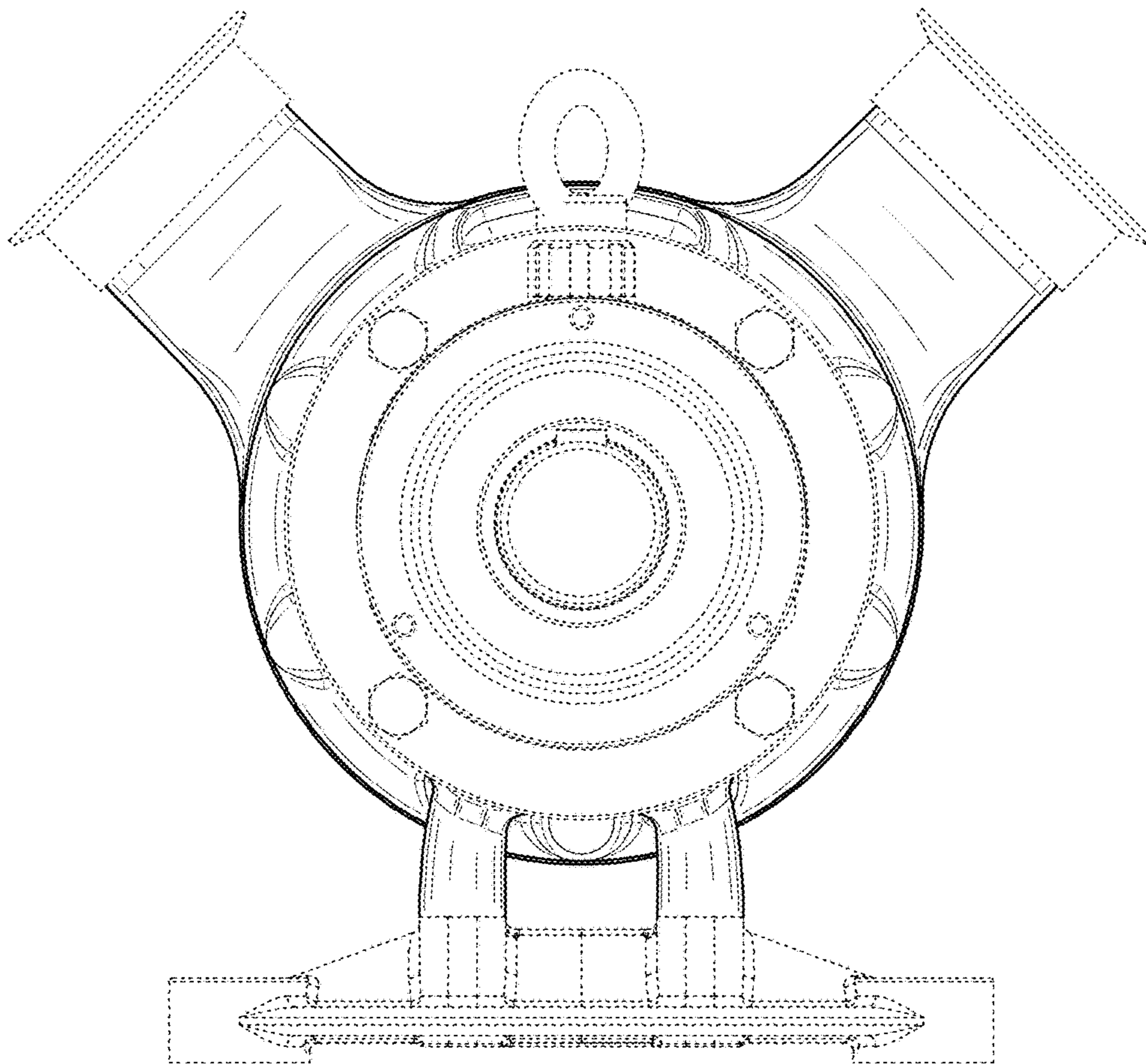


FIG. 3

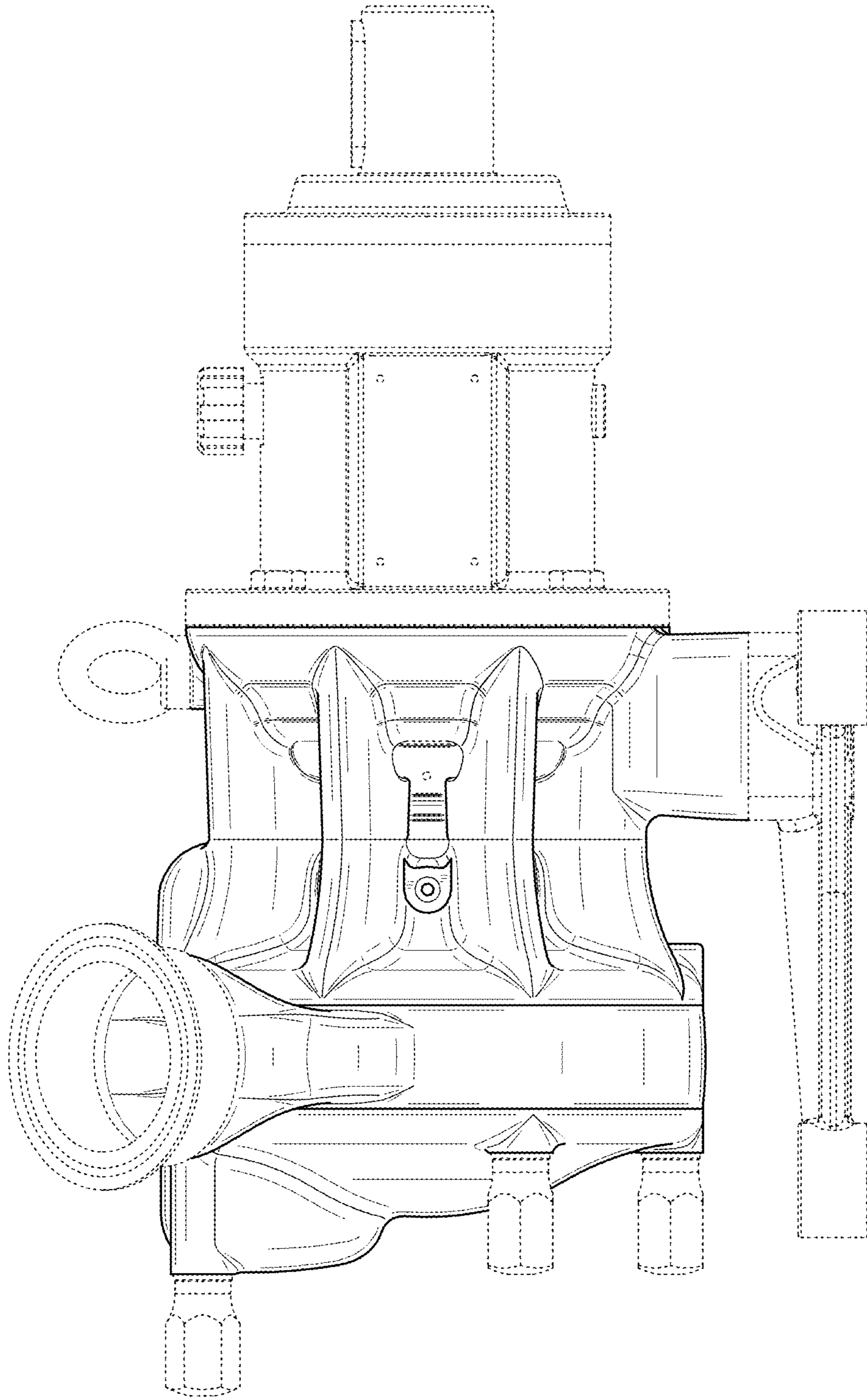


FIG. 4

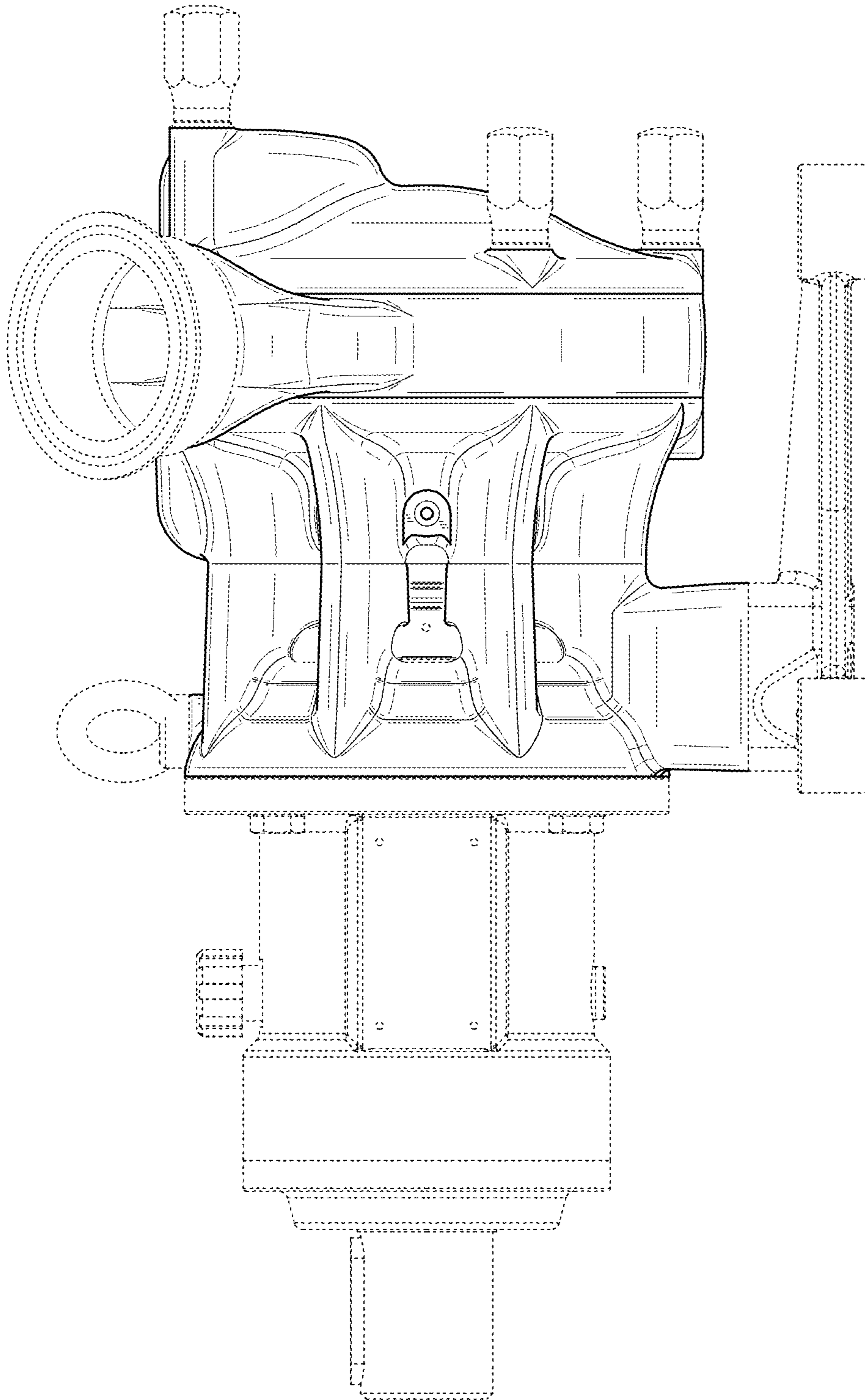


FIG. 5

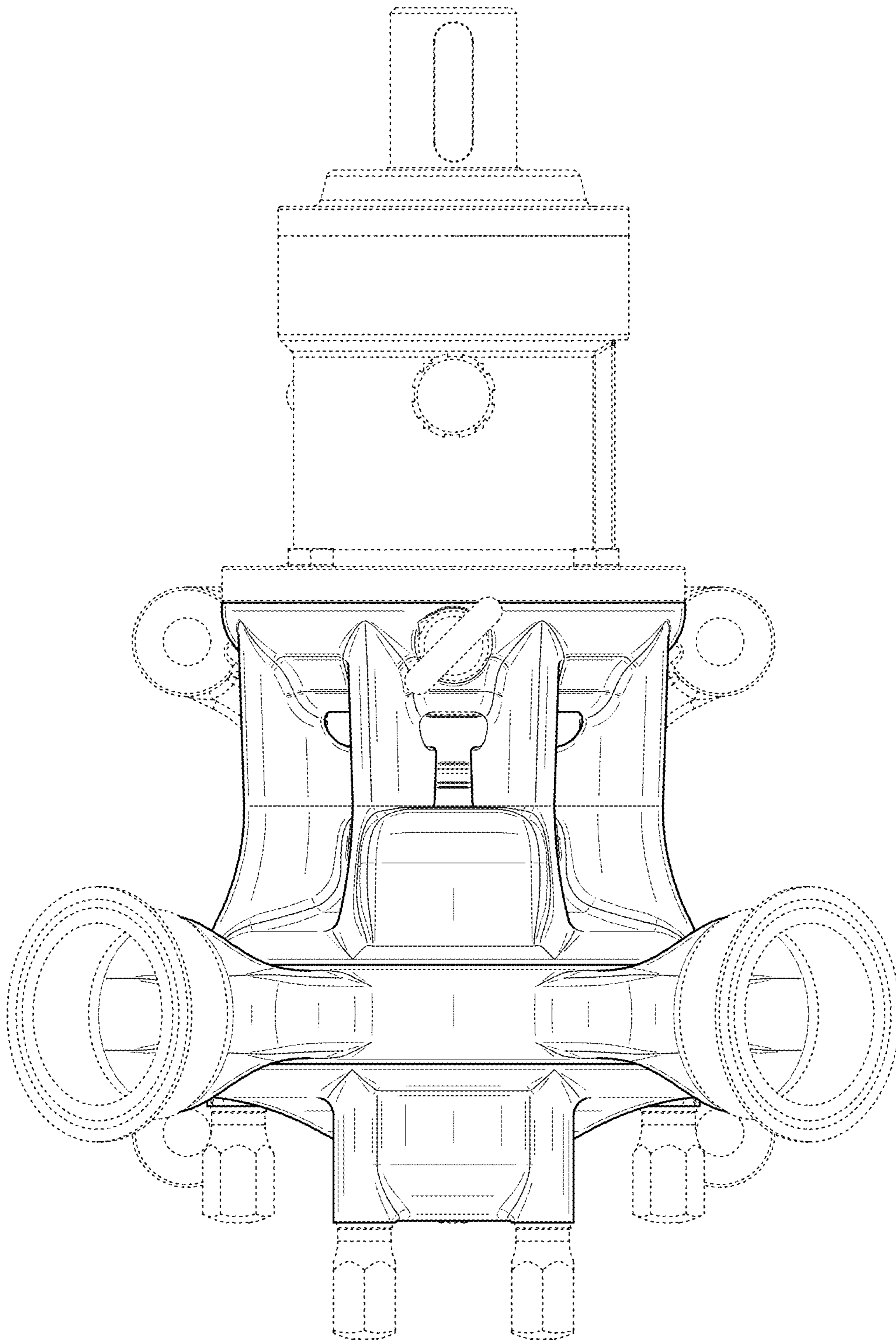


FIG. 6

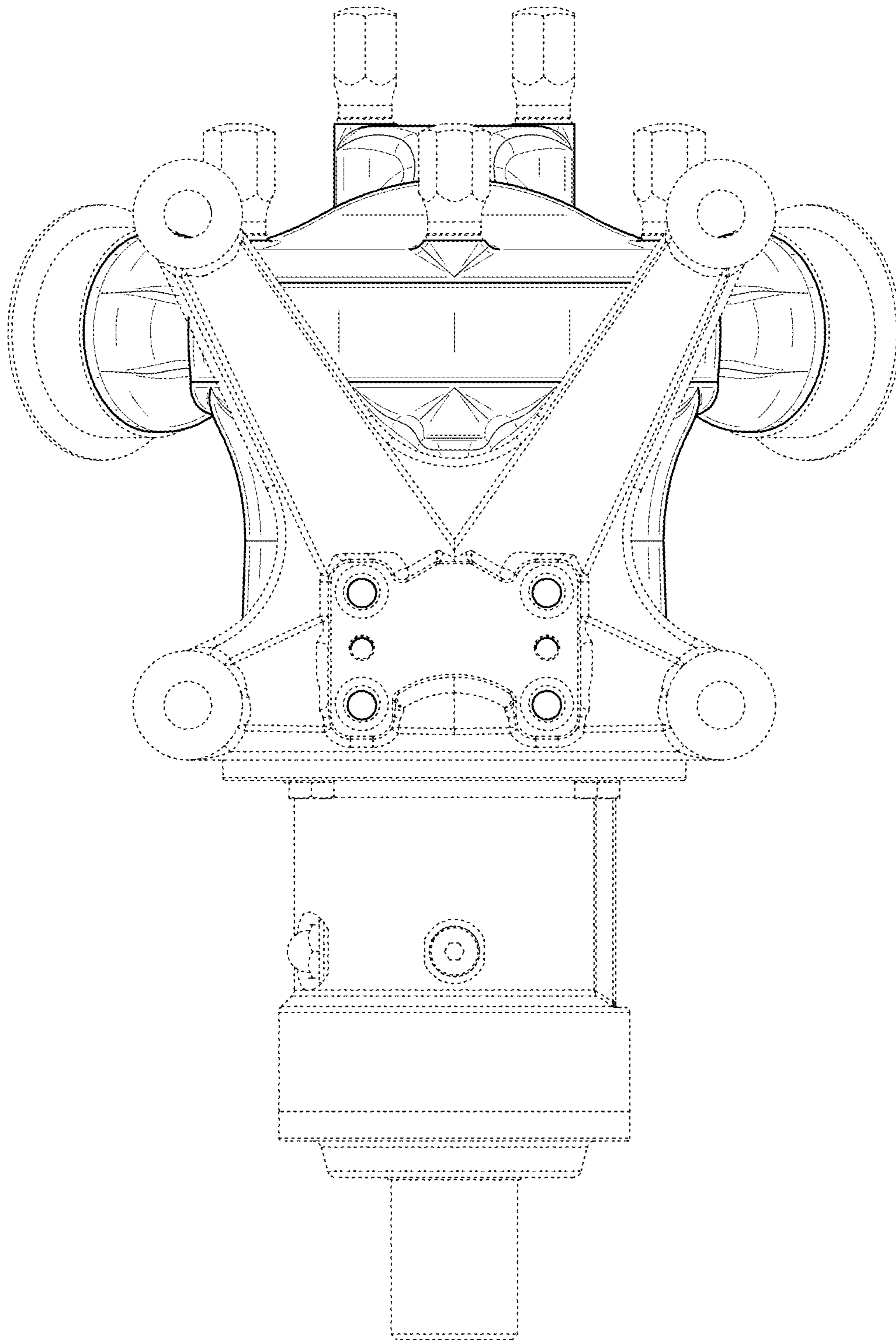


FIG. 7