



US00D787559S

(12) **United States Design Patent** (10) **Patent No.:** **US D787,559 S**
Nezar et al. (45) **Date of Patent:** **** May 23, 2017**

(54) **FILTER HOUSING FOR VEHICLE SNORKEL**

(56)

References Cited

(71) Applicant: **CENTRIFUGAL UNIVERSAL
 FILTRATION TECHNOLOGY
 (PTY) LTD, Gauteng (ZA)**

(72) Inventors: **Robert Carl Nezar, Centurion (ZA);
 John Ewin Thomas, Gauteng (ZA)**

(73) Assignee: **CENTRIFUGAL UNIVERSAL
 FILTRATION TECHNOLOGY
 (PTY) LTD, Gauteng (ZA)**

U.S. PATENT DOCUMENTS

D587,797 S *	3/2009	Blanchard	D23/370
D637,205 S *	5/2011	Luxon	D12/400
D637,206 S *	5/2011	Luxon	D12/400
D642,199 S *	7/2011	Luxon	D12/400
D670,743 S *	11/2012	Ewringmann	D12/194
D687,071 S *	7/2013	Bennett	D15/5
D687,072 S *	7/2013	Bennett	D15/5
2014/0008136 A1 *	1/2014	Bennett	B60K 13/02 180/68.3

* cited by examiner

Primary Examiner — T. Chase Nelson

Assistant Examiner — Ania Aman

(74) *Attorney, Agent, or Firm* — Workman Nydegger

(**) Term: **15 Years**

(21) Appl. No.: **29/562,162**

(22) Filed: **Apr. 22, 2016**

(51) **LOC (10) Cl.** **15-01**

(52) **U.S. Cl.**
USPC **D15/5**

(58) **Field of Classification Search**
 USPC D15/5; D12/400, 194, 206, 418;
 D24/110.5, 110.6; D23/370, 371, 393
 CPC F02M 35/10131; F02M 35/10; F02M
 35/10006; F02M 35/048; F02M
 35/10019; F02M 35/10091; F02M
 23/003; F02M 35/0201; F02M 35/10072;
 F02M 35/10124; F02M 35/10163; F02M
 35/10347; F02M 35/08; F02M 35/0226;
 F02M 35/164; F02M 35/10013; B60K
 13/02; B60Y 2200/20

See application file for complete search history.

(57)

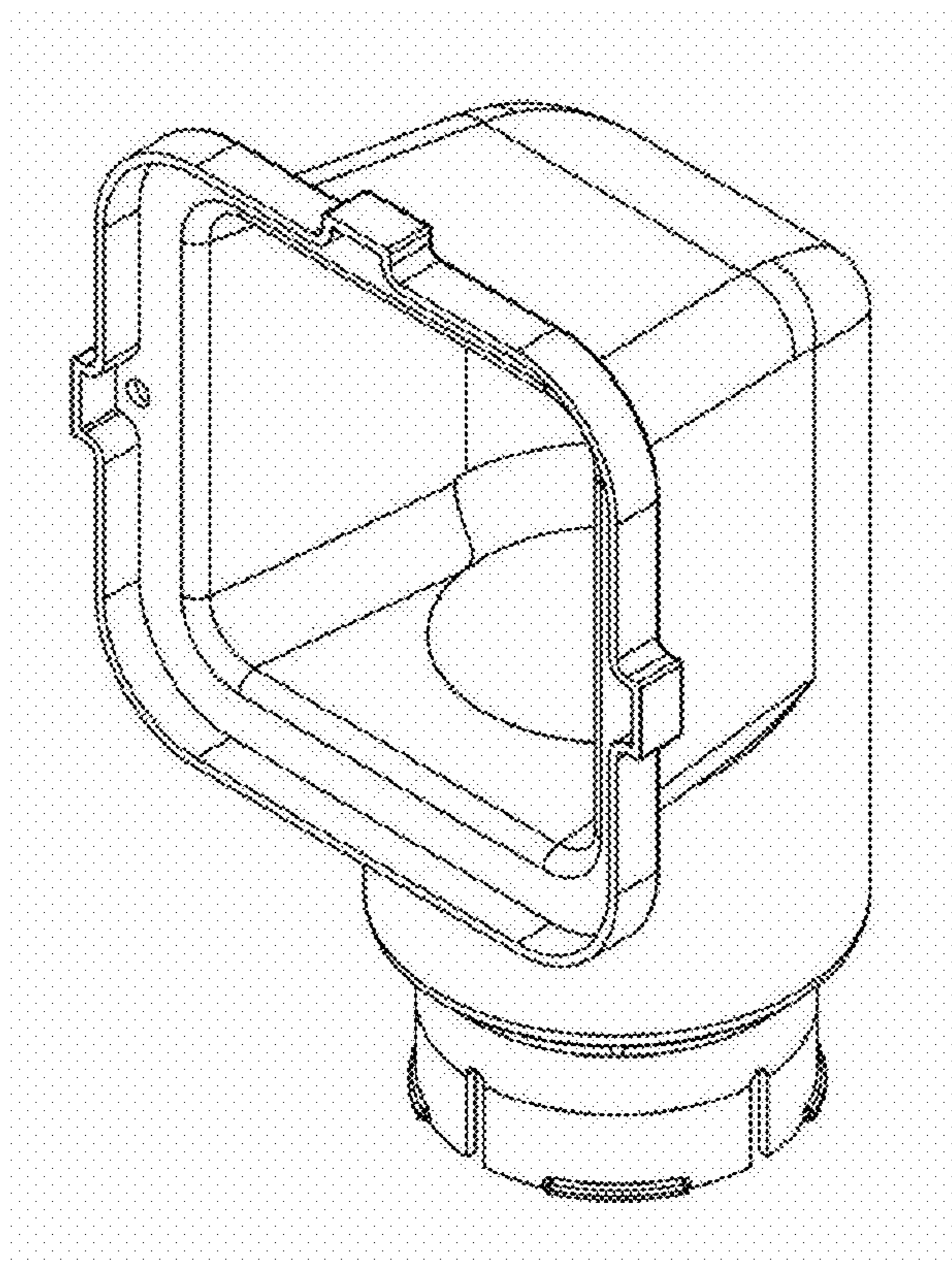
CLAIM

The ornamental design for filter housing for vehicle snorkel,
as shown.

DESCRIPTION

FIG. 1 is a front view;
 FIG. 2 is a side view;
 FIG. 3 is a top view; and,
 FIG. 4 is a three dimensional view.

1 Claim, 2 Drawing Sheets



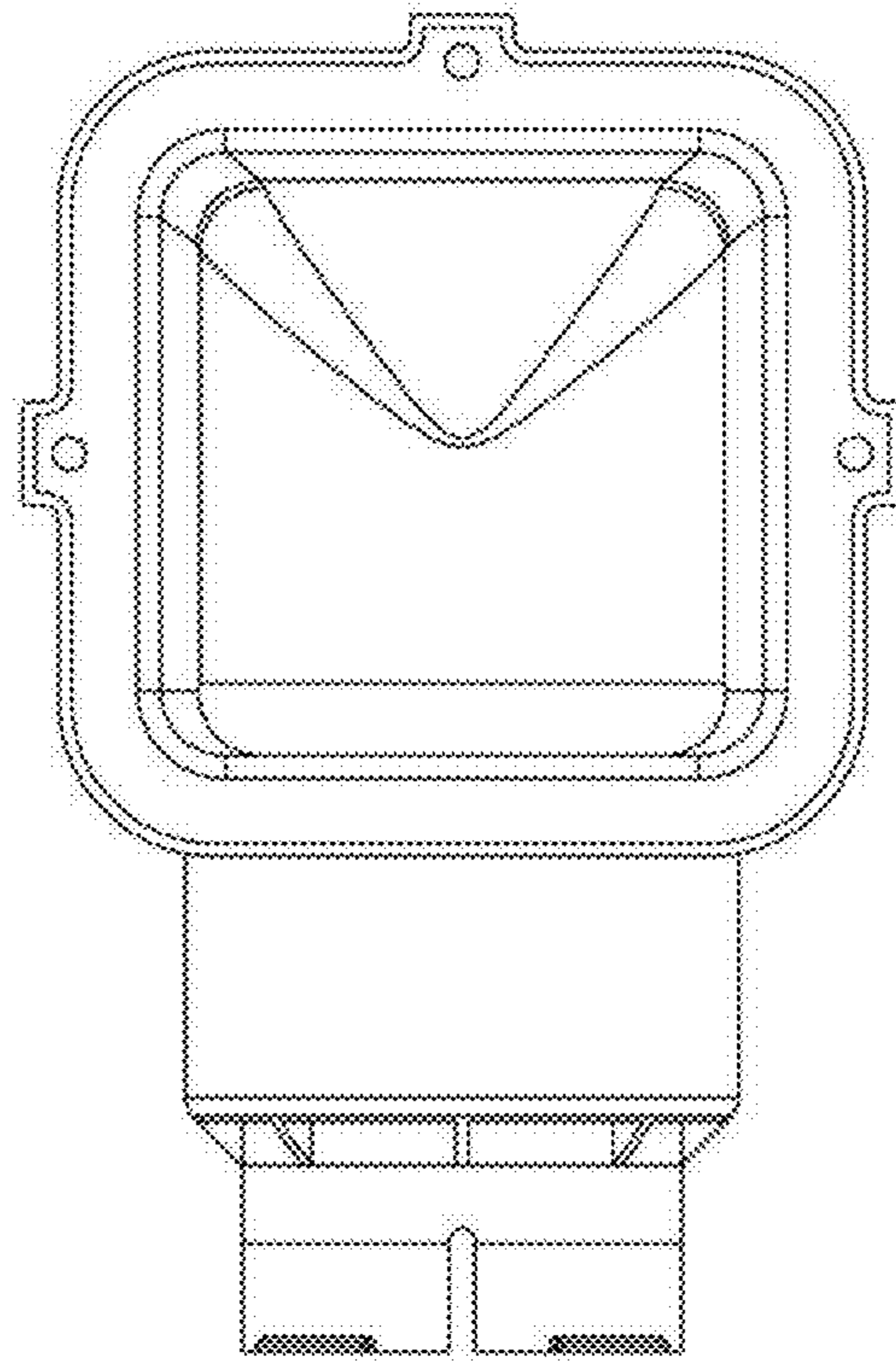


FIG. 1

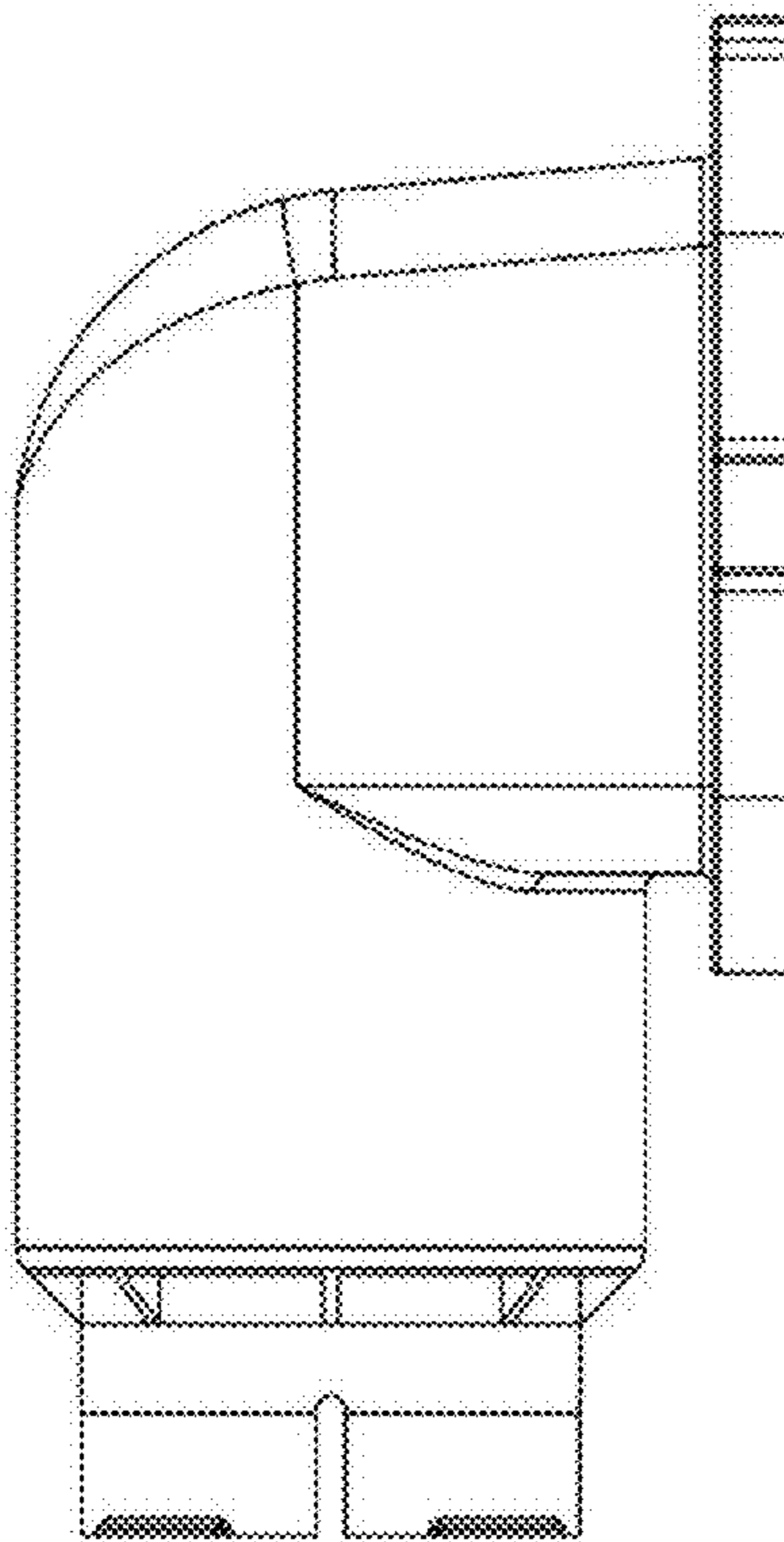


FIG. 2

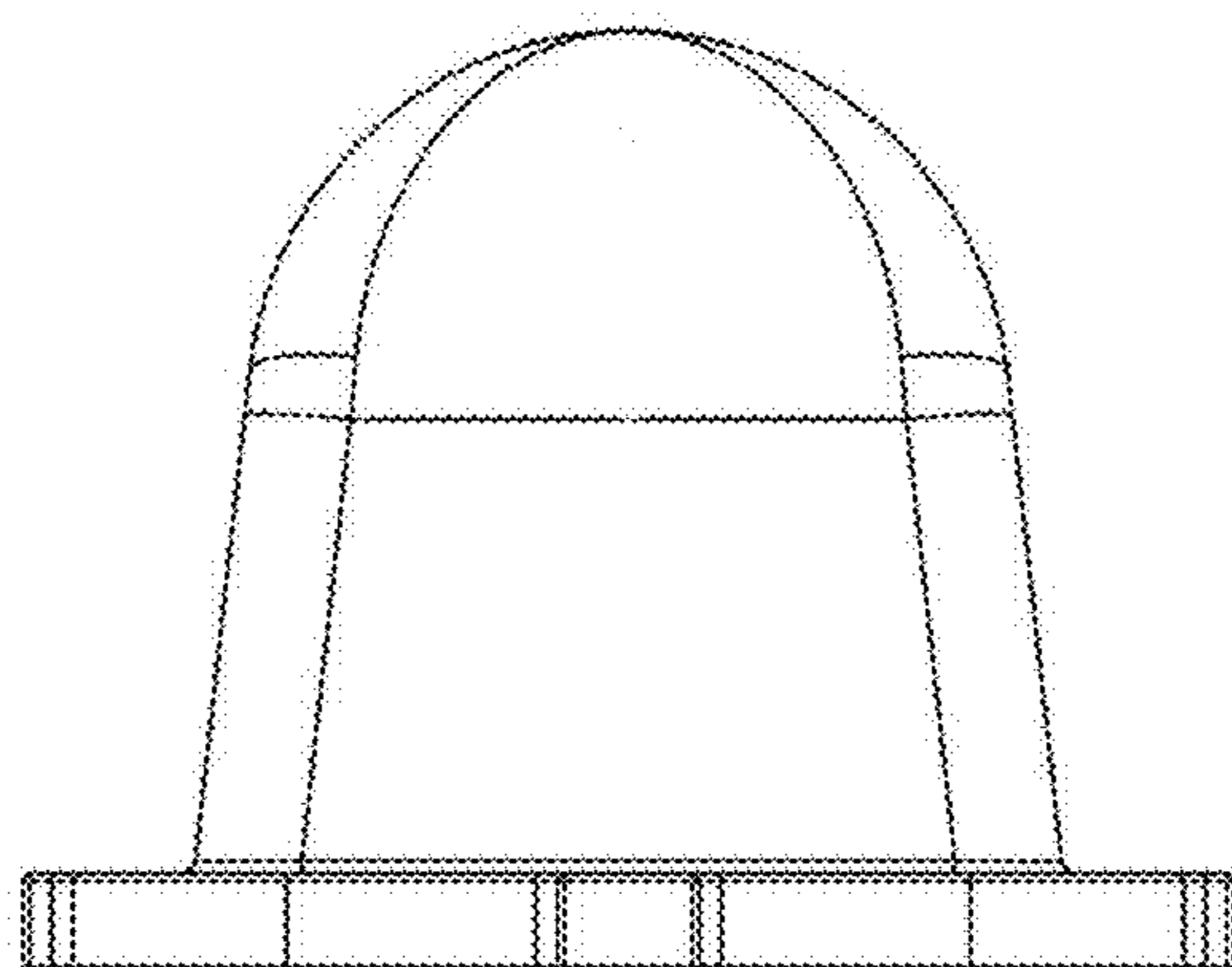


FIG. 3

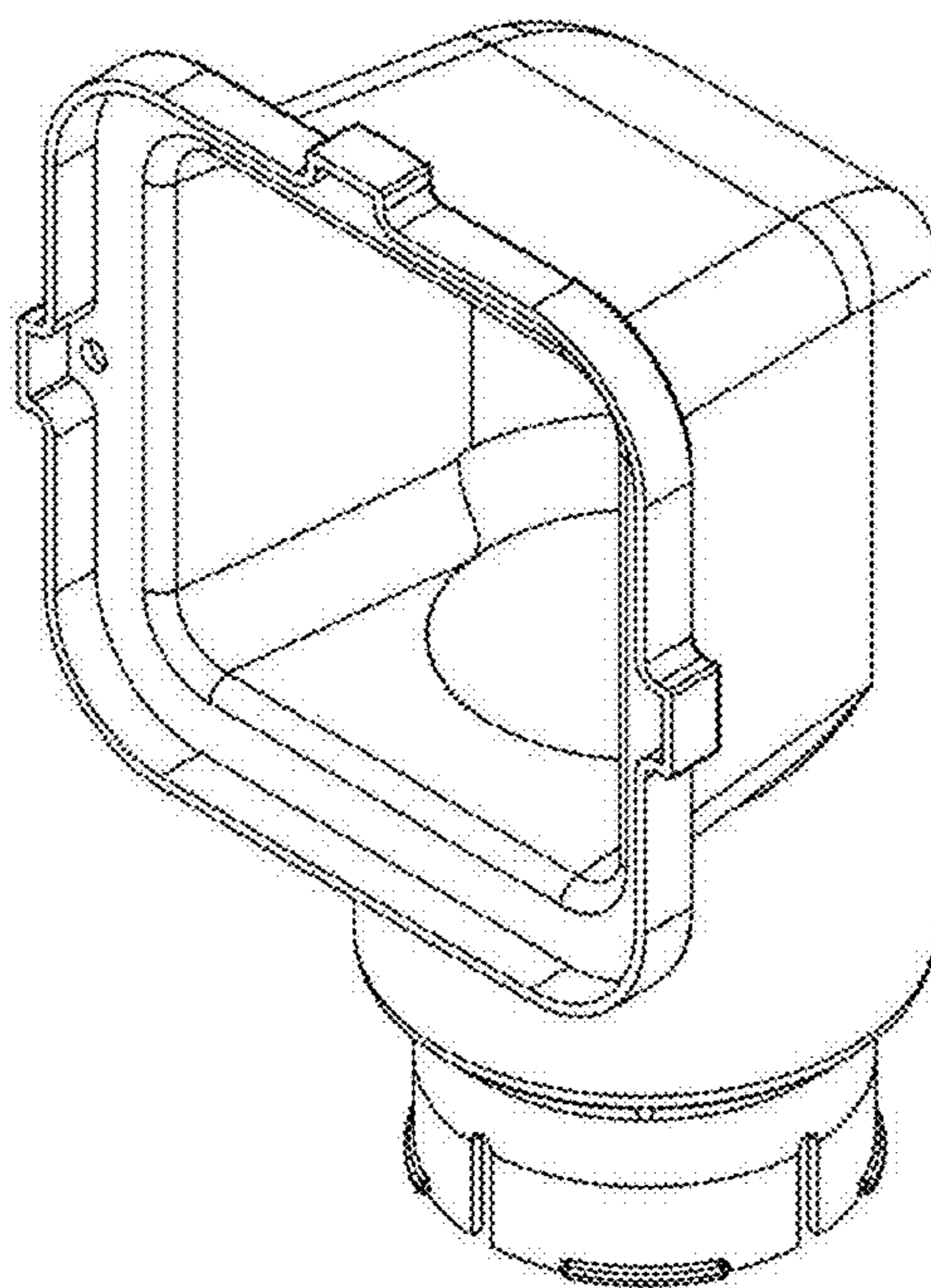


FIG. 4