



US00D787553S

(12) **United States Design Patent**
Maccubbin et al.

(10) **Patent No.:** **US D787,553 S**

(45) **Date of Patent:** **** May 23, 2017**

(54) **DISPLAY SCREEN OR PORTION THEREOF WITH ICON**

(71) Applicant: **General Electric Company**,
Schenectady, NY (US)

(72) Inventors: **James Maccubbin**, San Roman, CA
(US); **Nick Myers**, San Roman, CA
(US); **Glen Richard Davis**, Concord,
CA (US)

(73) Assignee: **GENERAL ELECTRIC COMPANY**,
Schenectady, NY (US)

(**) Term: **14 Years**

(21) Appl. No.: **29/509,750**

(22) Filed: **Nov. 20, 2014**

(51) **LOC (10) Cl.** **14-04**

(52) **U.S. Cl.**
USPC **D14/491**; D14/485

(58) **Field of Classification Search**
USPC D14/485-495; 715/702, 763, 704, 716,
715/720, 727, 834

CPC G06F 3/04845; G06F 3/04847; G06F
1/1692; G06F 3/04817; G06F 3/16; G06F
3/165; H04M 1/72558

See application file for complete search history.

(56) **References Cited**

U.S. PATENT DOCUMENTS

- 6,762,778 B1 * 7/2004 Golibrodski G06F 3/04845
715/782
- 7,574,672 B2 * 8/2009 Jobs G06F 3/0236
345/156
- D602,033 S * 10/2009 Vu D14/485
- 7,735,018 B2 * 6/2010 Bakhsh G06F 3/04815
345/419
- 7,827,207 B2 * 11/2010 Takatsuka G11B 27/105
707/769

- 7,860,536 B2 * 12/2010 Jobs G06F 3/0236
340/815.86
- 7,975,237 B2 * 7/2011 Hama G06F 3/0482
715/786
- 8,250,489 B2 * 8/2012 Lee F25D 23/126
715/747
- 8,291,332 B2 * 10/2012 Chaudhri G06F 3/0481
715/764
- D691,637 S * 10/2013 Deurwaarder D14/257
- D716,318 S * 10/2014 Fan D14/485
- D716,829 S * 11/2014 Sik D14/486
- D724,618 S * 3/2015 Shin D14/487

(Continued)

FOREIGN PATENT DOCUMENTS

KR 300726289.0000 * 1/2014

Primary Examiner — Barbara Fox

Assistant Examiner — Kimberly Barnes

(74) *Attorney, Agent, or Firm* — Hanley, Flight and
Zimmerman, LLC

(57) **CLAIM**

The ornamental design for a display screen or portion thereof with icon, substantially as shown and described.

DESCRIPTION

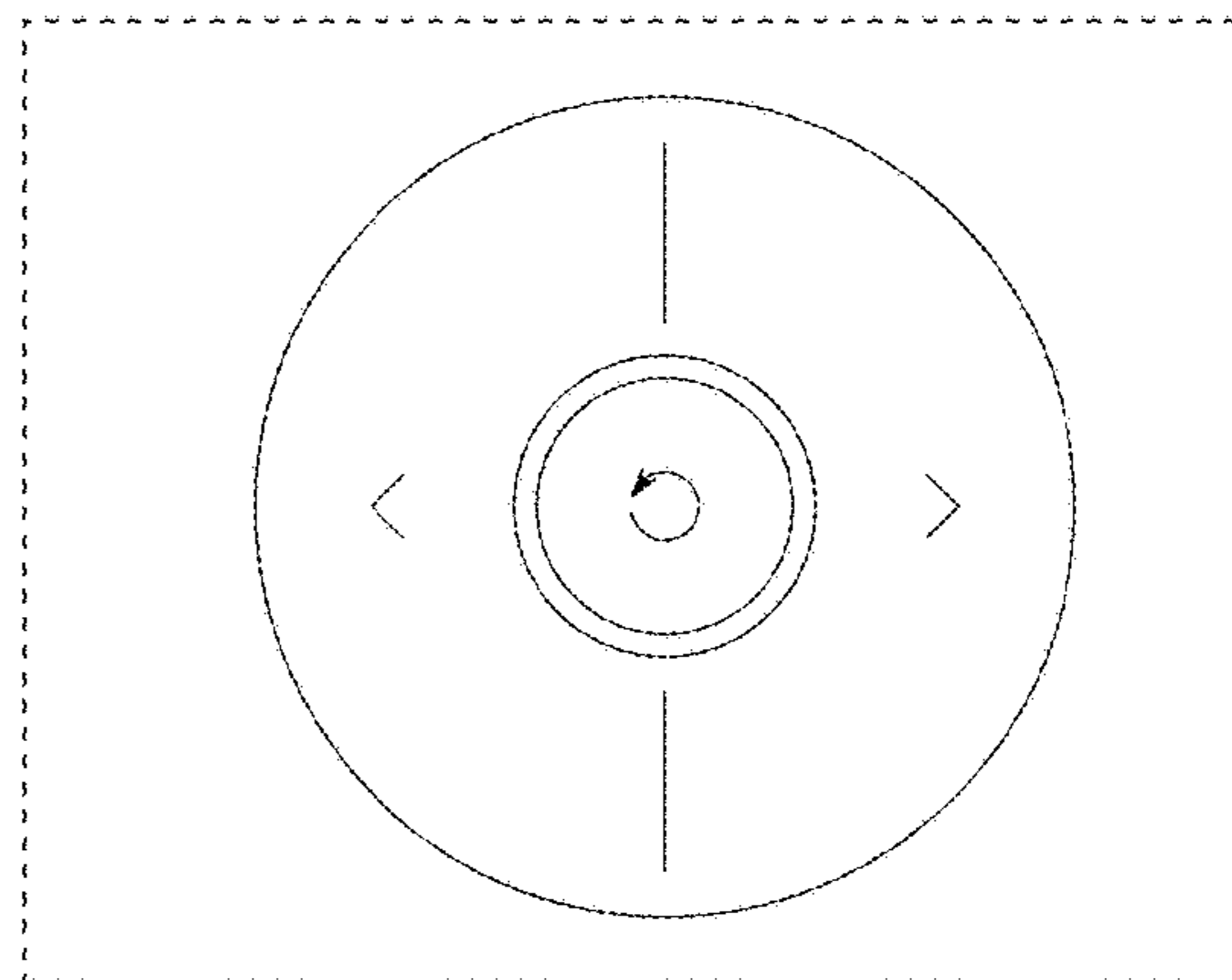
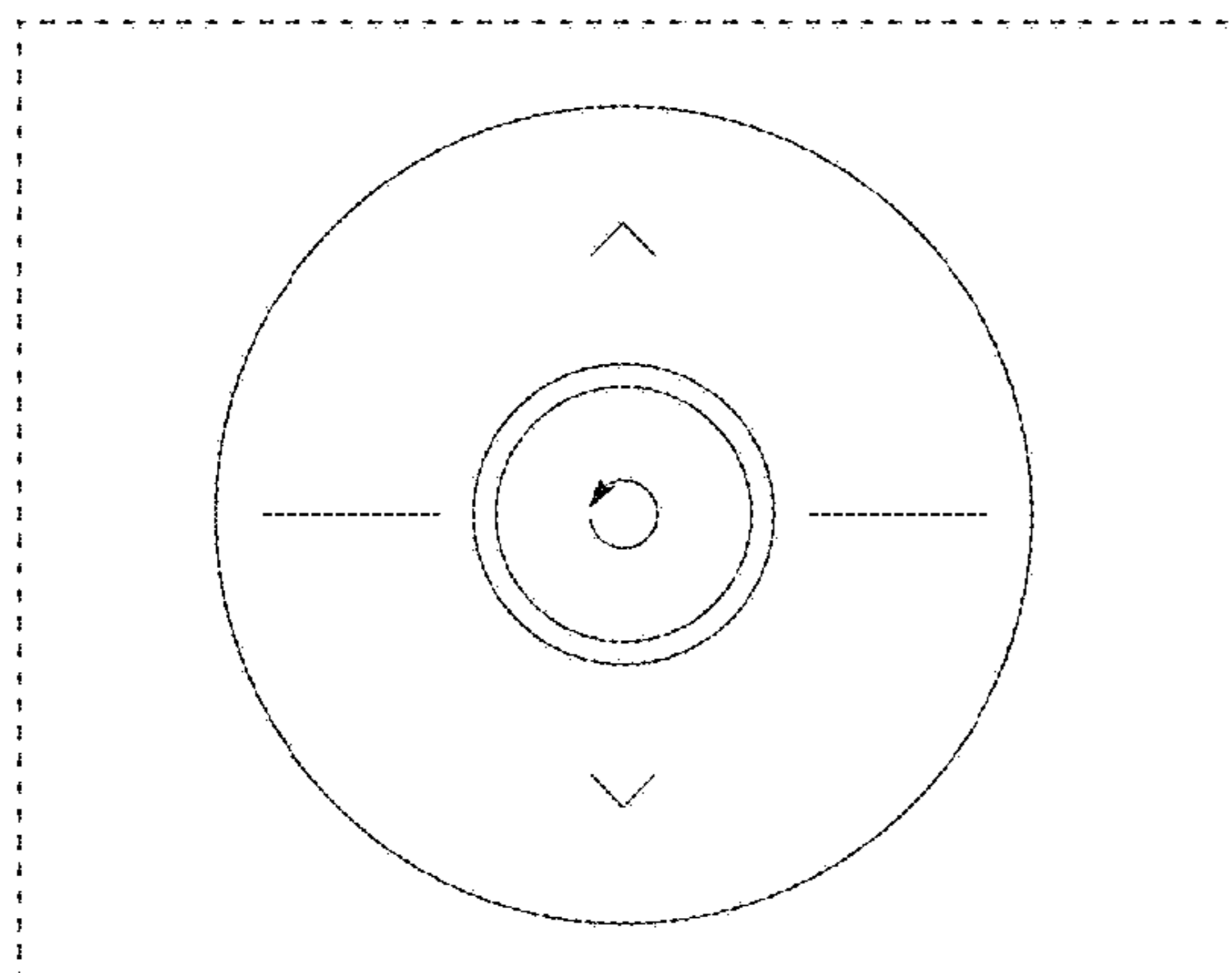
A portion of the disclosure of this patent document contains material which a claim for copyright is made. The copyright owner has no objection to the facsimile reproduction by anyone of the patent document or the patent disclosure, as it appears in the US Patent and Trademark Office patent file or records, but reserves all other copyrights whatsoever.

FIG. 1 is a front view of a display screen or portion thereof with icon in a first embodiment; and,

FIG. 2 is a front view of a display screen or portion thereof with icon in a second embodiment.

The broken lines showing a display screen or portion thereof form no part of the claimed design.

1 Claim, 1 Drawing Sheet



(56)

References Cited

U.S. PATENT DOCUMENTS

D728,616 S * 5/2015 Gomez D14/491
D733,184 S * 6/2015 Park D14/490
9,069,584 B2 * 6/2015 Shelansky G06F 9/44526
9,176,667 B2 * 11/2015 Yoon G06F 3/0238
D746,854 S * 1/2016 Shardlow D14/487
D748,107 S * 1/2016 Kim D14/485
D748,645 S * 2/2016 Kim D14/485
D752,630 S * 3/2016 Moon D14/487
2012/0194428 A1 * 8/2012 Kwon G06F 3/0482
345/157
2013/0254714 A1 * 9/2013 Shin G06F 3/0488
715/810
2014/0075311 A1 * 3/2014 Boettcher G06F 3/165
715/716
2014/0240265 A1 * 8/2014 Choi G06F 3/04886
345/173
2015/0212719 A1 * 7/2015 Gottschlag G08B 13/19682
715/720

* cited by examiner

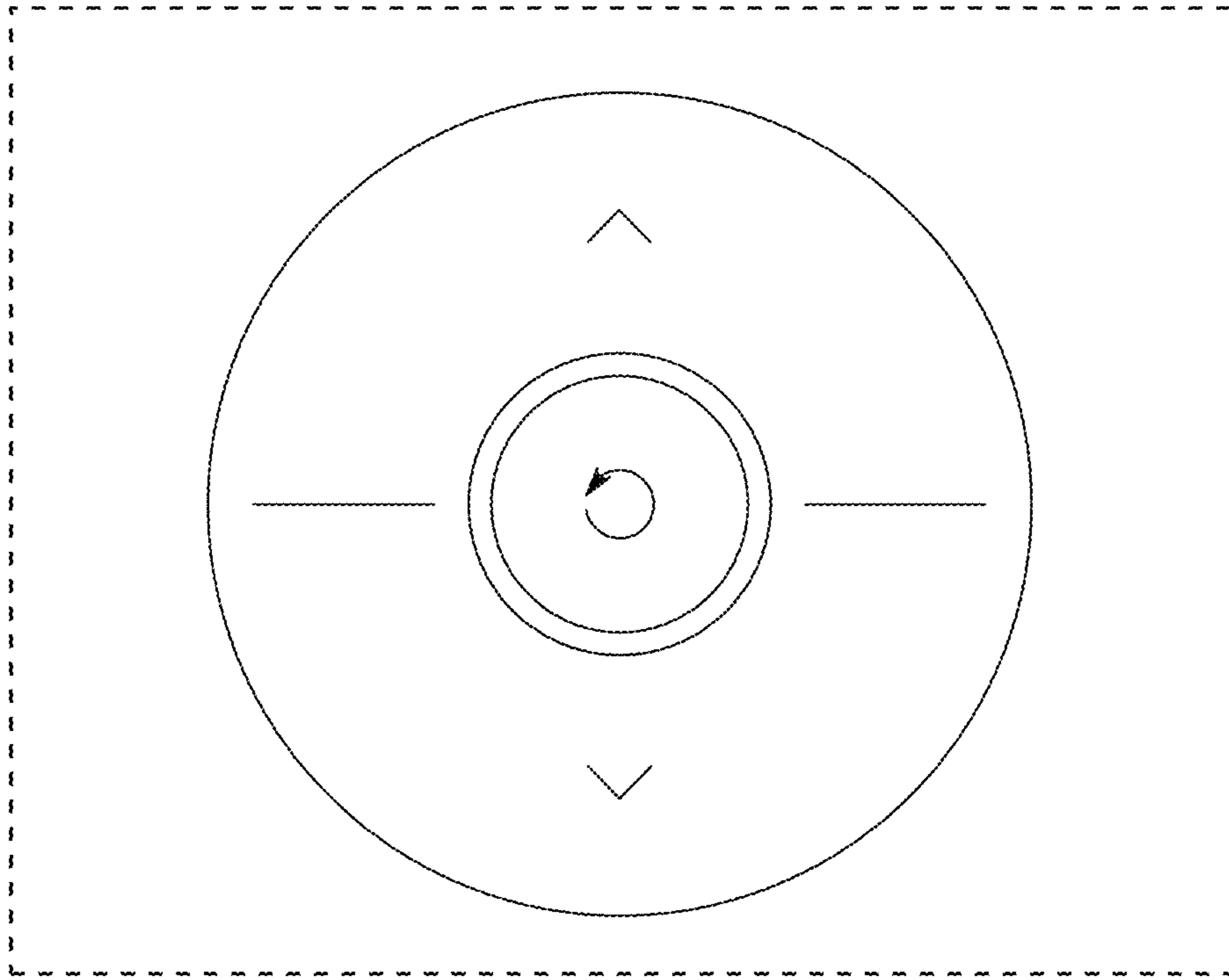


FIG. 1

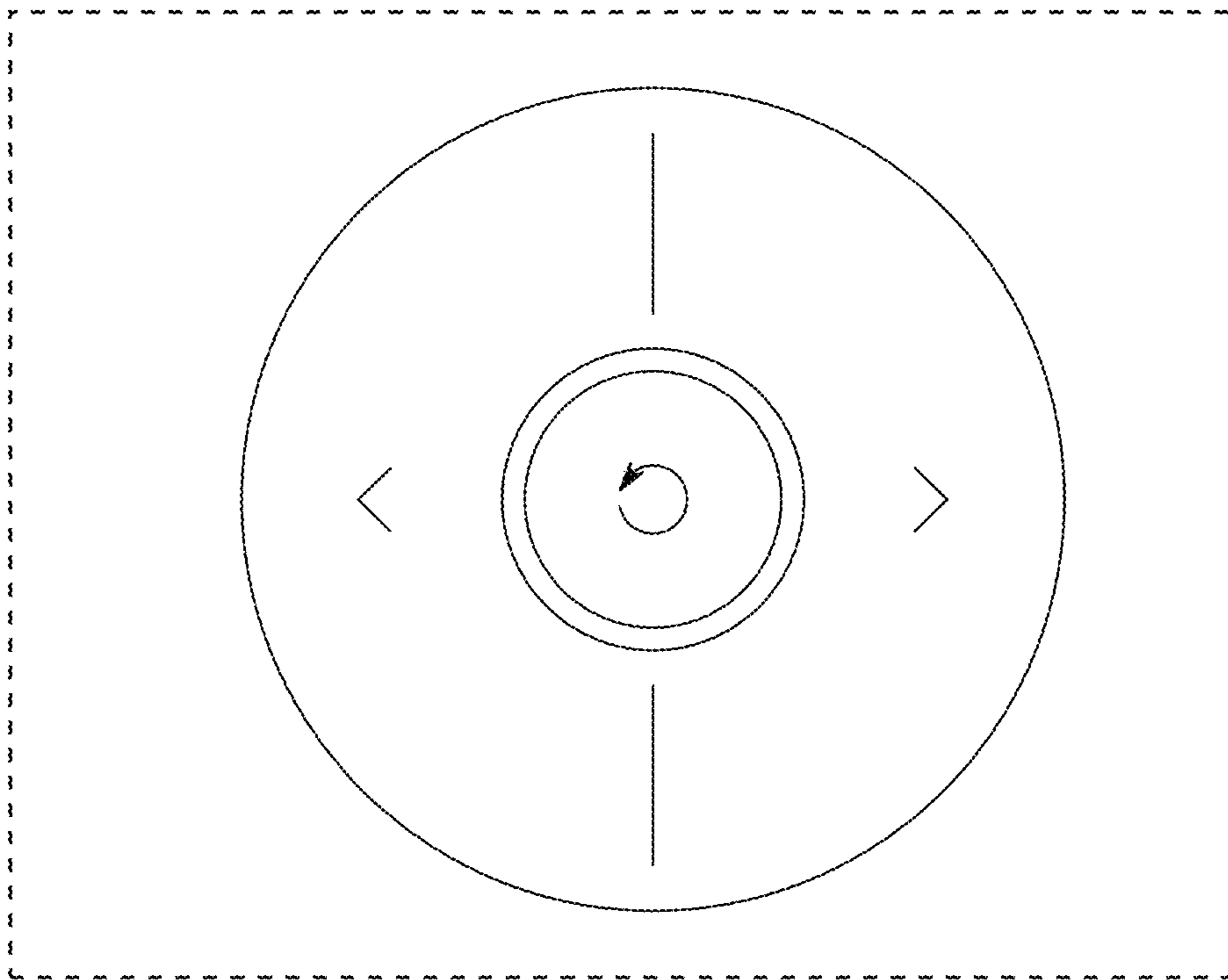


FIG. 2