



US00D787548S

(12) **United States Design Patent** (10) **Patent No.:** **US D787,548 S**
Basargin et al. (45) **Date of Patent:** **** May 23, 2017**

(54) **DISPLAY SCREEN OR PORTION THEREOF WITH ANIMATED GRAPHICAL USER INTERFACE**

(71) Applicant: **What Watch AG**, Zurich (CH)

(72) Inventors: **Igor Basargin**, Yekaterinburg (RU);
Masashi Kawamura, Tokyo (JP);
Daniel Julier, Helsinki (FI)

(**) Term: **14 Years**

(21) Appl. No.: **29/498,952**

(22) Filed: **Aug. 9, 2014**

(30) **Foreign Application Priority Data**

Feb. 10, 2014 (EM) 002401620

(51) **LOC (10) Cl.** **14-04**

(52) **U.S. Cl.**
USPC **D14/488**

(58) **Field of Classification Search**
USPC D10/103, 125, 126; D14/485, 486, 488,
D14/489; 715/716, 769, 810, 829, 830,
715/834, 835; 368/83, 223, 240, 241,
368/242; 345/440; 709/204, 205, 248
CPC . G06F 3/00; G06F 3/033; G06F 3/048; G06F
3/0482; G06F 3/0484; G06F 3/04847;
G06F 3/0486; G06F 3/14; G06F
17/30554; G06F 17/30994; G04G 9/00;
G04G 9/02; G04G 9/022; G04G 9/082;
G04G 15/006; F24F 11/0086; G09G 5/02;
G06Q 30/0601

See application file for complete search history.

(56) **References Cited**

U.S. PATENT DOCUMENTS

D406,263 S * 3/1999 Wilsher D14/487
D566,722 S * 4/2008 Jackson D14/489
D619,350 S * 7/2010 Leifeld D3/203.2

(Continued)

OTHER PUBLICATIONS

“Homewerks Bath Fan & Bluetooth Speaker in One”, posted at youtube.com, Sep. 3, 2013, [site visited Jan. 12, 2016]. Available from Internet: <<https://www.youtube.com/watch?v=-ZcDLPJ5qro>>.*

(Continued)

Primary Examiner — Karen Kearney

Assistant Examiner — John Otte

(74) *Attorney, Agent, or Firm* — Schiff Hardin LLP

(57) **CLAIM**

The ornamental design for display screen or portion thereof with animated graphical user interface, as shown and described.

DESCRIPTION

FIG. 1 is a front view of a display screen or portion thereof with animated graphical user interface showing a first image in the sequence;

FIG. 2 is a second image thereof;

FIG. 3 is a third image thereof;

FIG. 4 is a fourth image thereof;

FIG. 5 is a fifth image thereof;

FIG. 6 is a sixth image thereof;

FIG. 7 is a seventh image thereof;

FIG. 8 is an eighth image thereof;

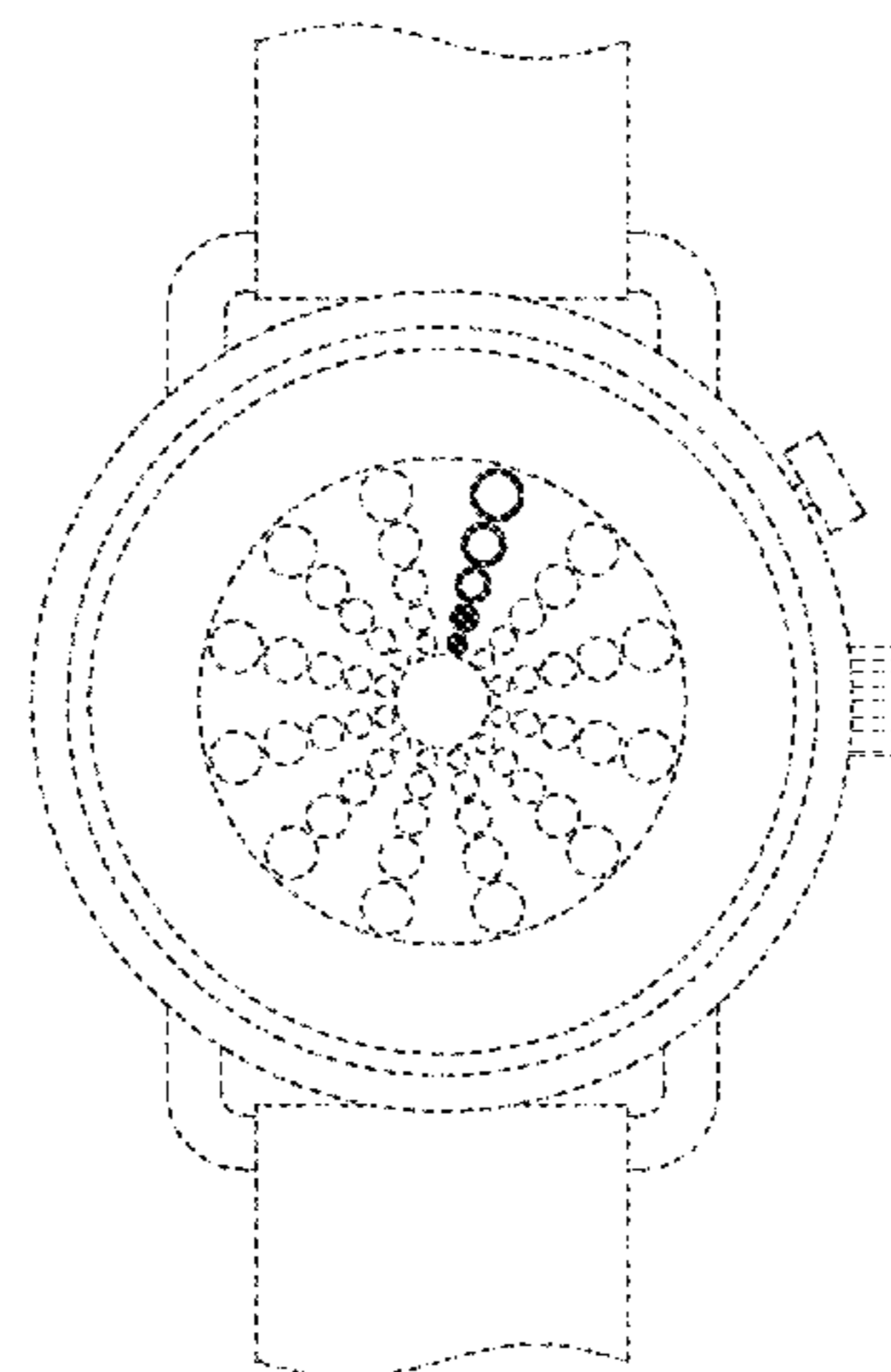
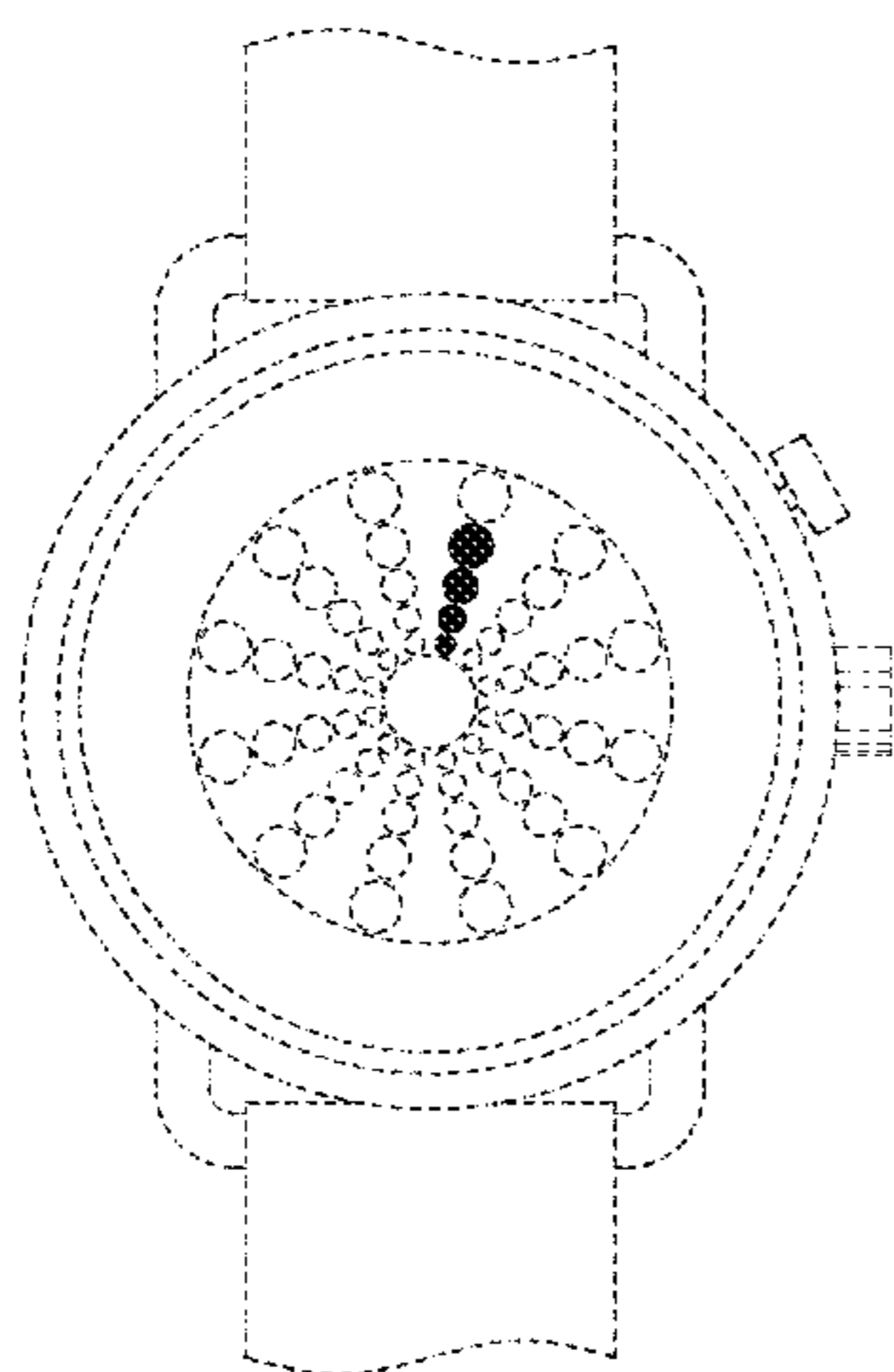
FIG. 9 is a ninth image thereof; and,

FIG. 10 is a tenth image thereof.

The broken line showing of a watch is included for the purposes of illustrating environmental structure and forms no part of the claimed design. The broken line showing of a display screen and elements of a user interface is included for the purpose of illustrating portions of the article and forms no part of the claimed design.

The appearance of the transitional images sequentially transition between the images shown in FIGS. 1-10. The process or period in which one image transitions to another image forms no part of the claimed design.

1 Claim, 10 Drawing Sheets



(56)

References Cited

U.S. PATENT DOCUMENTS

8,230,339	B2 *	7/2012	Watanabe	G06F 3/048	715/713
D701,519	S *	3/2014	Campiranon	D14/486	
D716,325	S *	10/2014	Brudnicki	D14/486	
D730,379	S *	5/2015	Xiong	D14/487	
D730,381	S *	5/2015	Zhong	D14/487	
D744,365	S *	12/2015	Rogers	D10/125	
D752,094	S *	3/2016	Cornwell	D14/488	
D753,670	S *	4/2016	Tian	D14/485	
D757,047	S *	5/2016	Cornwell	D14/485	
D760,272	S *	6/2016	Li	D14/487	
D765,099	S *	8/2016	Kim	D14/485	
2001/0055244	A1 *	12/2001	Kim	G04G 15/006	368/73
2003/0210284	A1 *	11/2003	Vandruff	G06F 17/30994	715/853
2006/0064314	A1 *	3/2006	Levin	G06Q 30/0601	705/26.1
2015/0066933	A1 *	3/2015	Kolodziej	G06F 17/30554	707/737

OTHER PUBLICATIONS

“Arrow Banner”, posted at ledsafetylights.com, Oct. 29, 2012, [site visited Jan. 12, 2016]. Available from Internet: <https://web.archive.org/web/20121029134342/http://www.ledsafetylights.com/safety_light_details.asp?ProductID=95>.*

“Complex Circular Design Techniques”, posted at bittbox.com, Apr. 23, 2007, [site visited Jan. 12, 2016]. Available from Internet: <<http://www.bittbox.com/illustrator/complex-circular-design-techniques>>.*

Graziano, Dan, “What Watch: A smartwatch that attempts to freeze a moment in time (hands-on)”, posted at cnet.com, Jun. 1, 2015, [site visited Dec. 29, 2016]. Available from Internet: <<https://www.cnet.com/news/what-watch-a-smartwatch-that-attempts-to-freeze-a-moment-in-time-hands-on>>.*

“Audio Spectrum Analyzer (DIY)”, posted at youtube.com, Sep. 8, 2009, [site visited Dec. 29, 2016]. Available from Internet: <<https://www.youtube.com/watch?v=BtkPDLJpEbQ>>.*

Pach, Andrzej, “Quick & simple After Effects dotted circle burst (with ellipse and dash options)”, posted at youtube.com, Oct. 5, 2016, [site visited Dec. 29, 2016]. Available from Internet: <<https://www.youtube.com/watch?v=X4nDHeb8-38>>.*

* cited by examiner

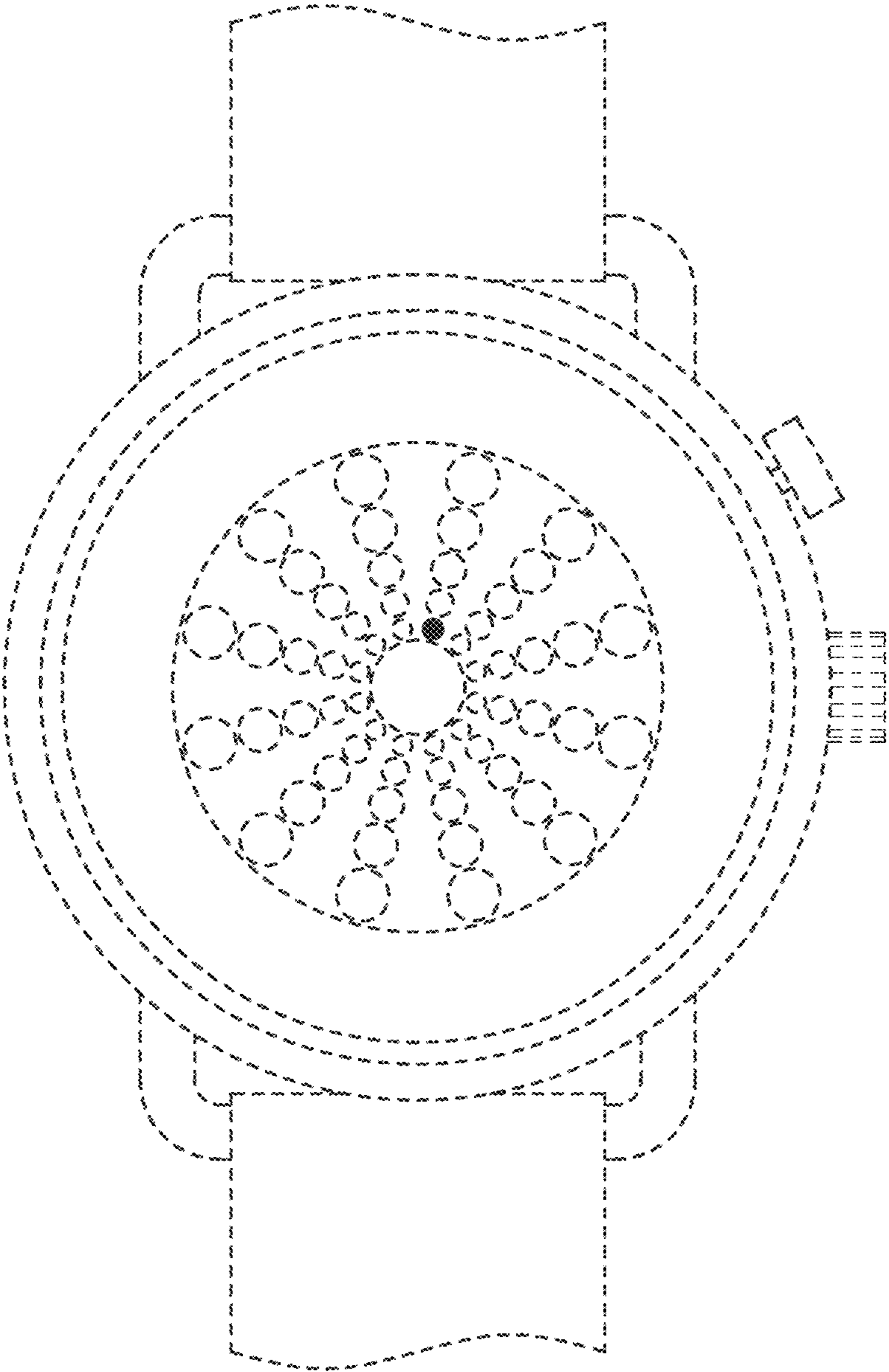


Fig. 1

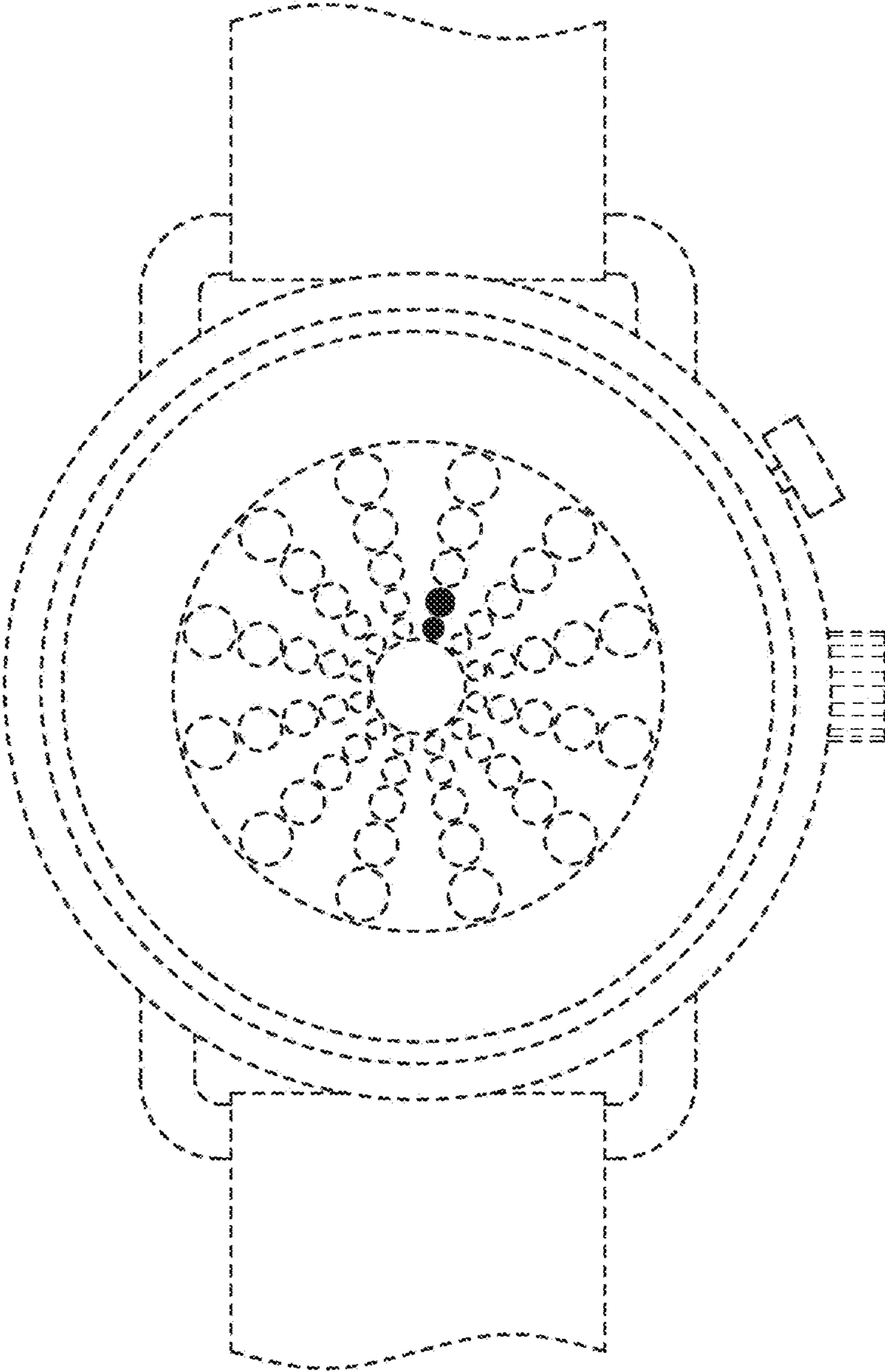


Fig. 2

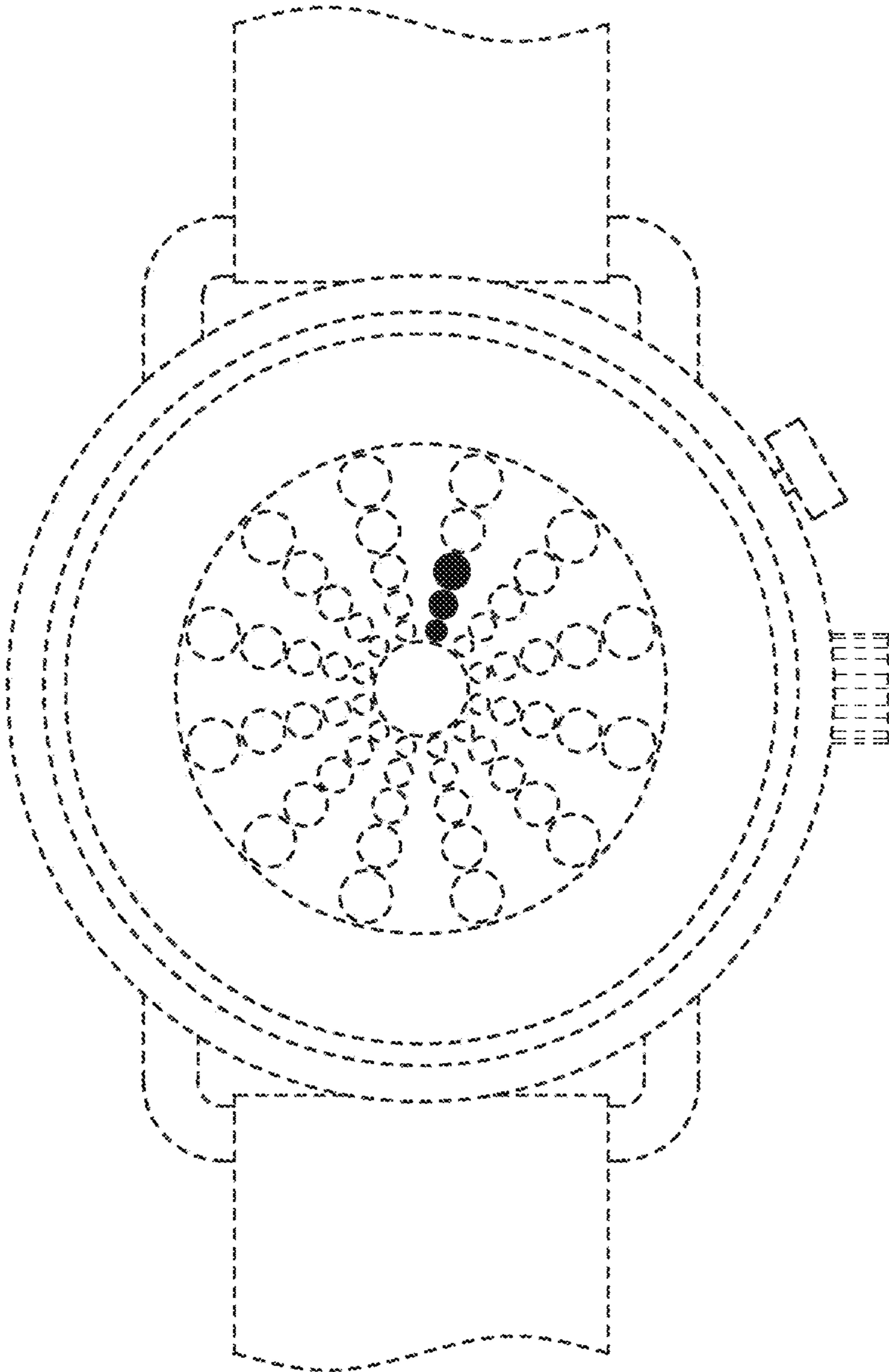


Fig. 3

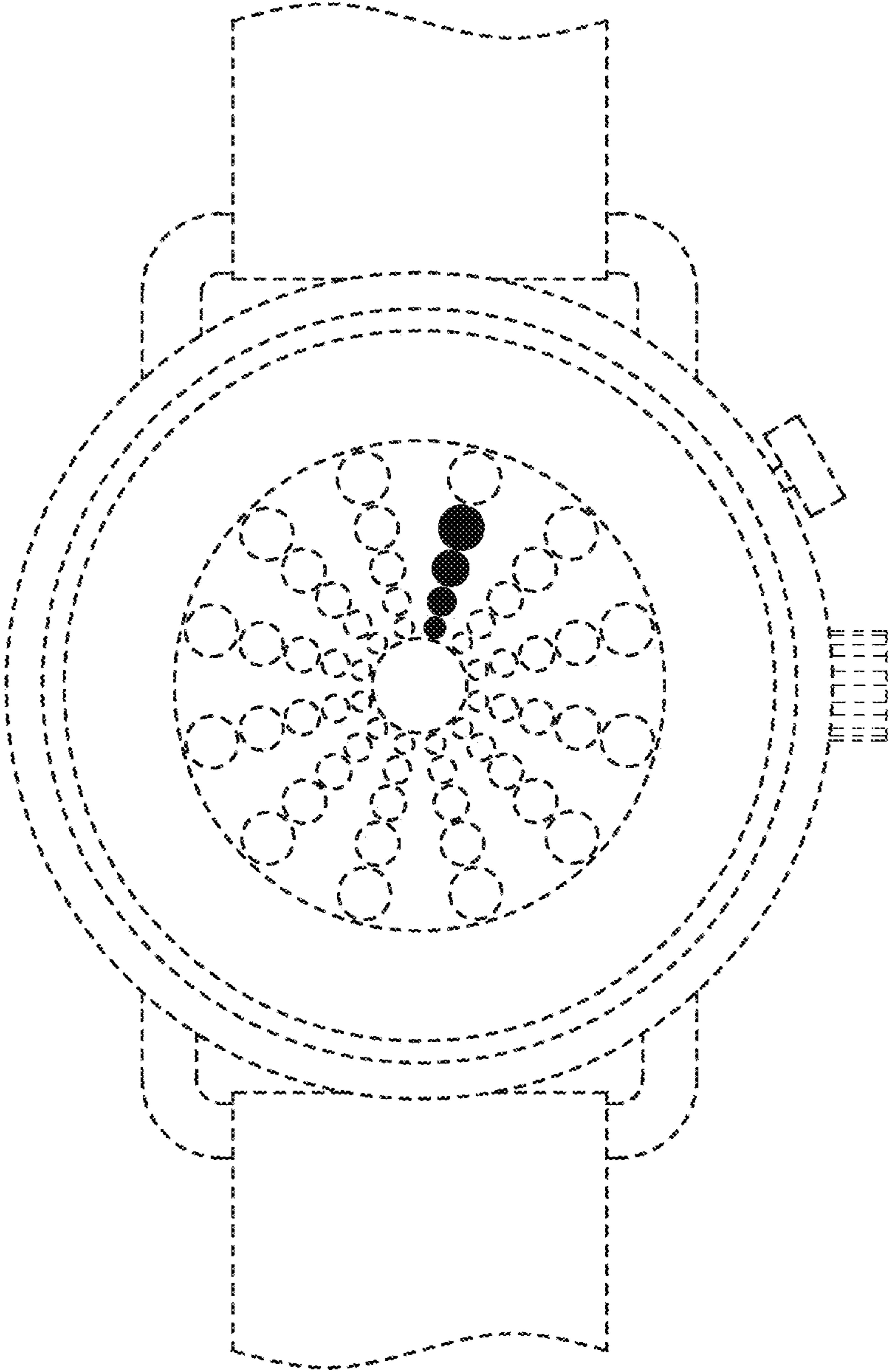


Fig. 4

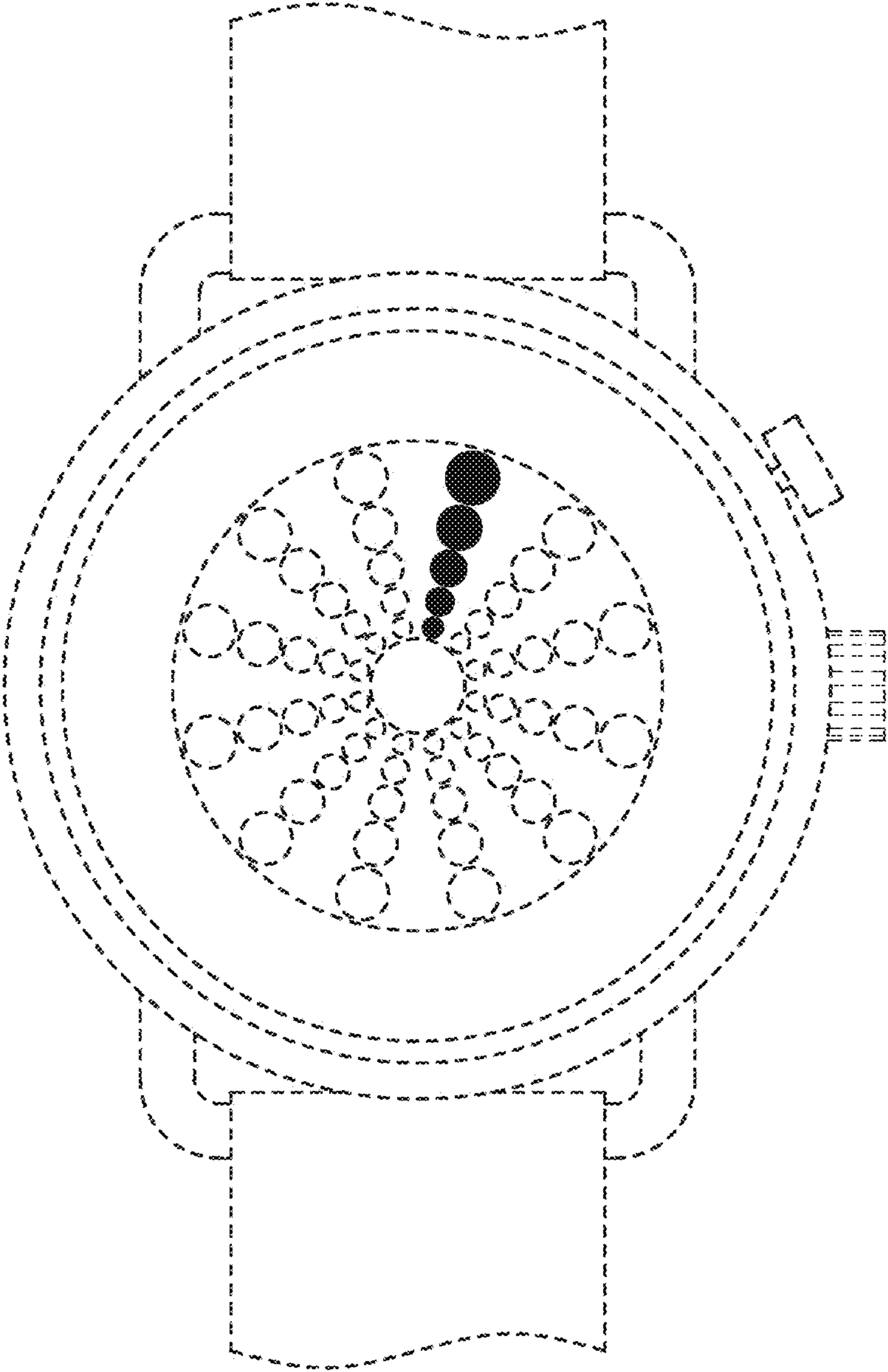


Fig. 5

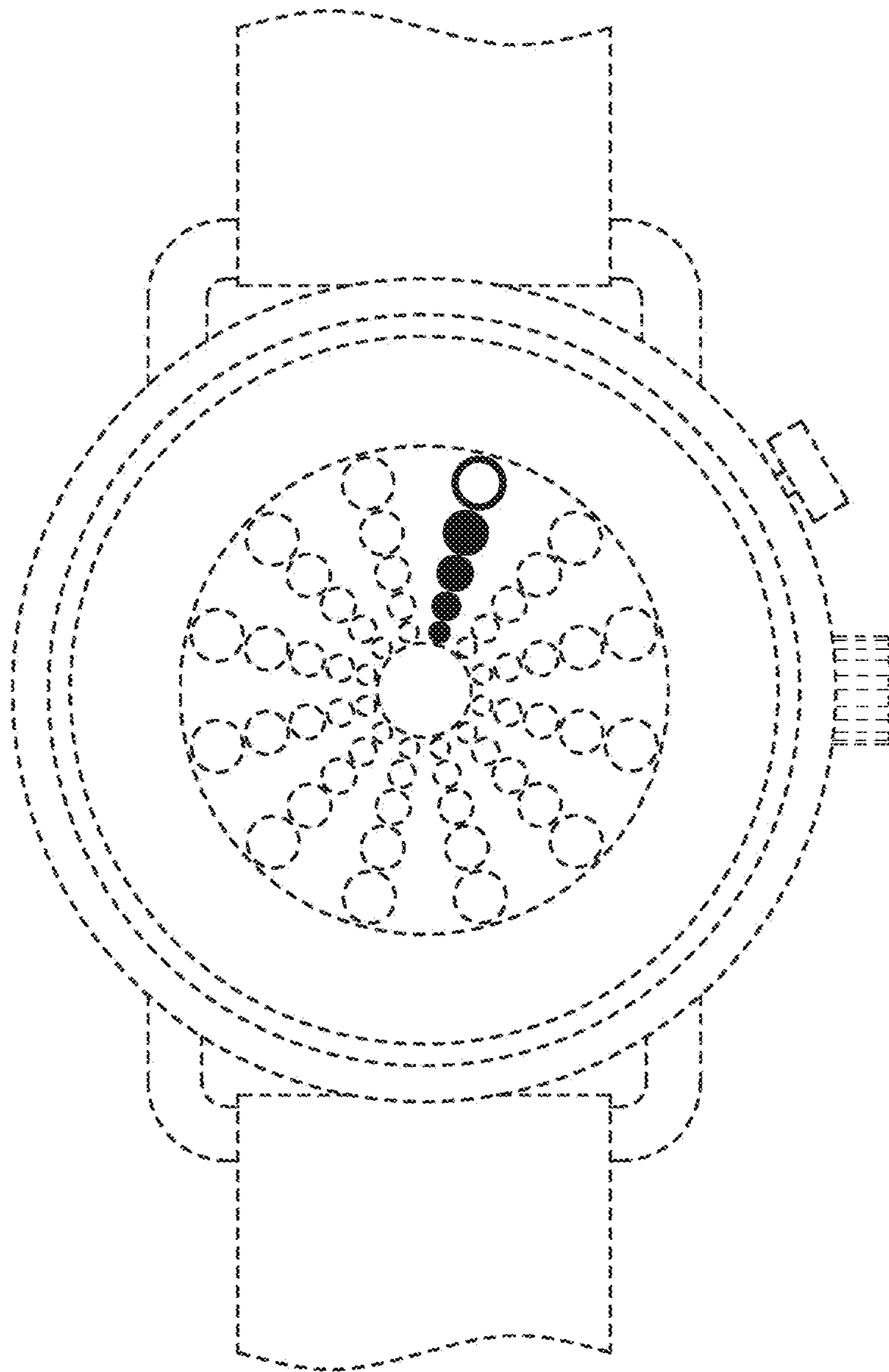


Fig. 6

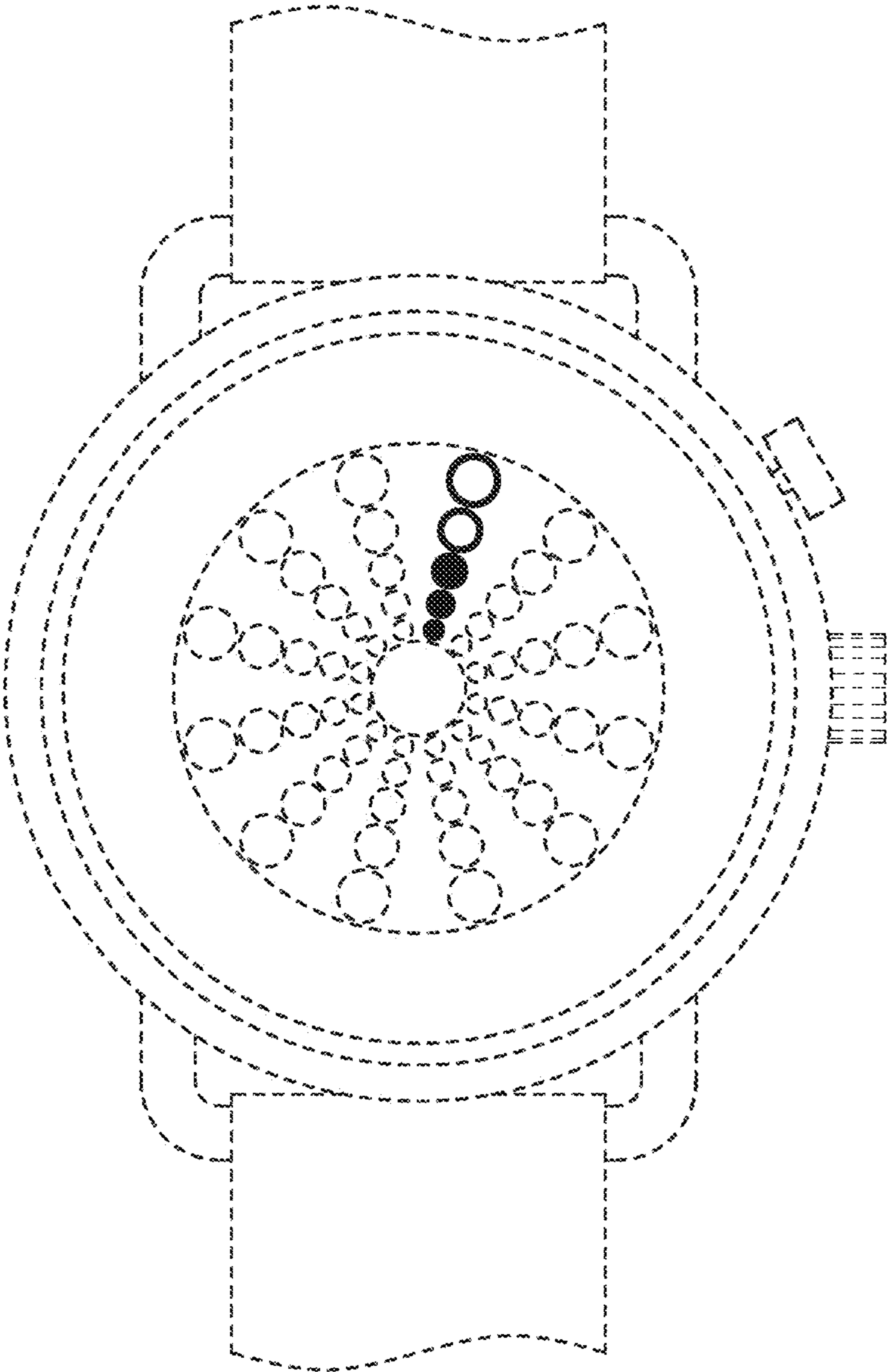


Fig. 7

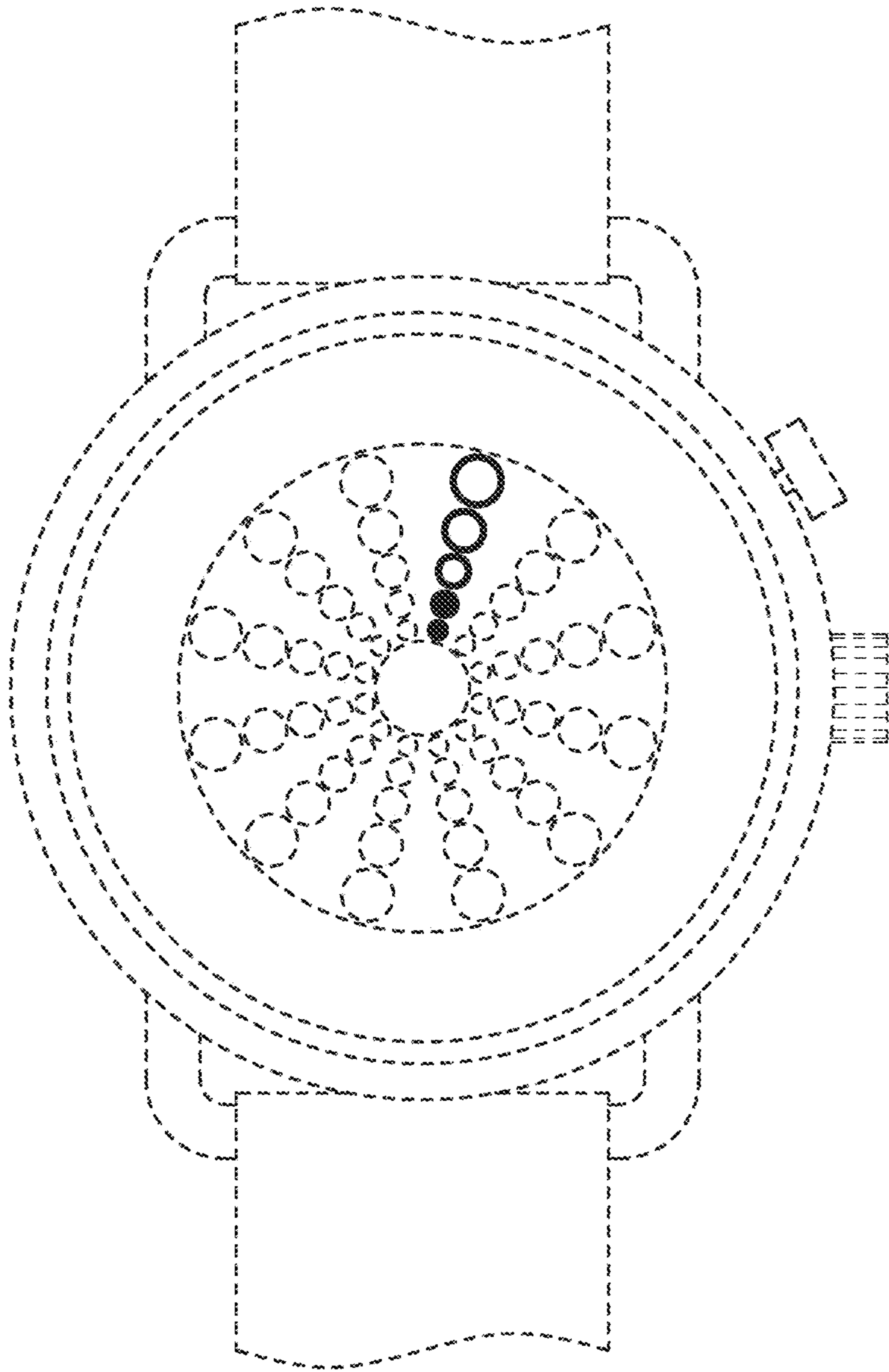


Fig. 8

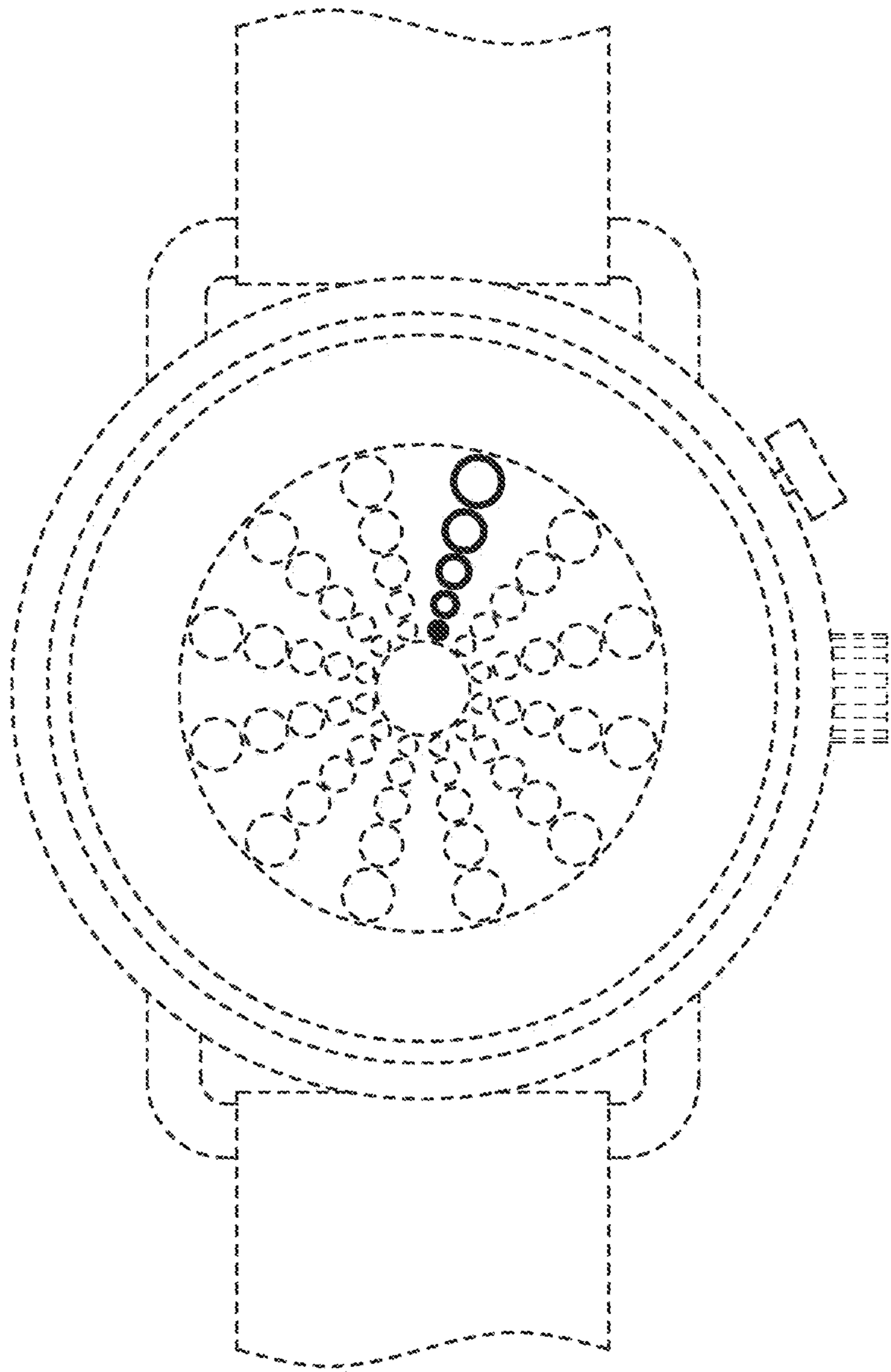


Fig. 9

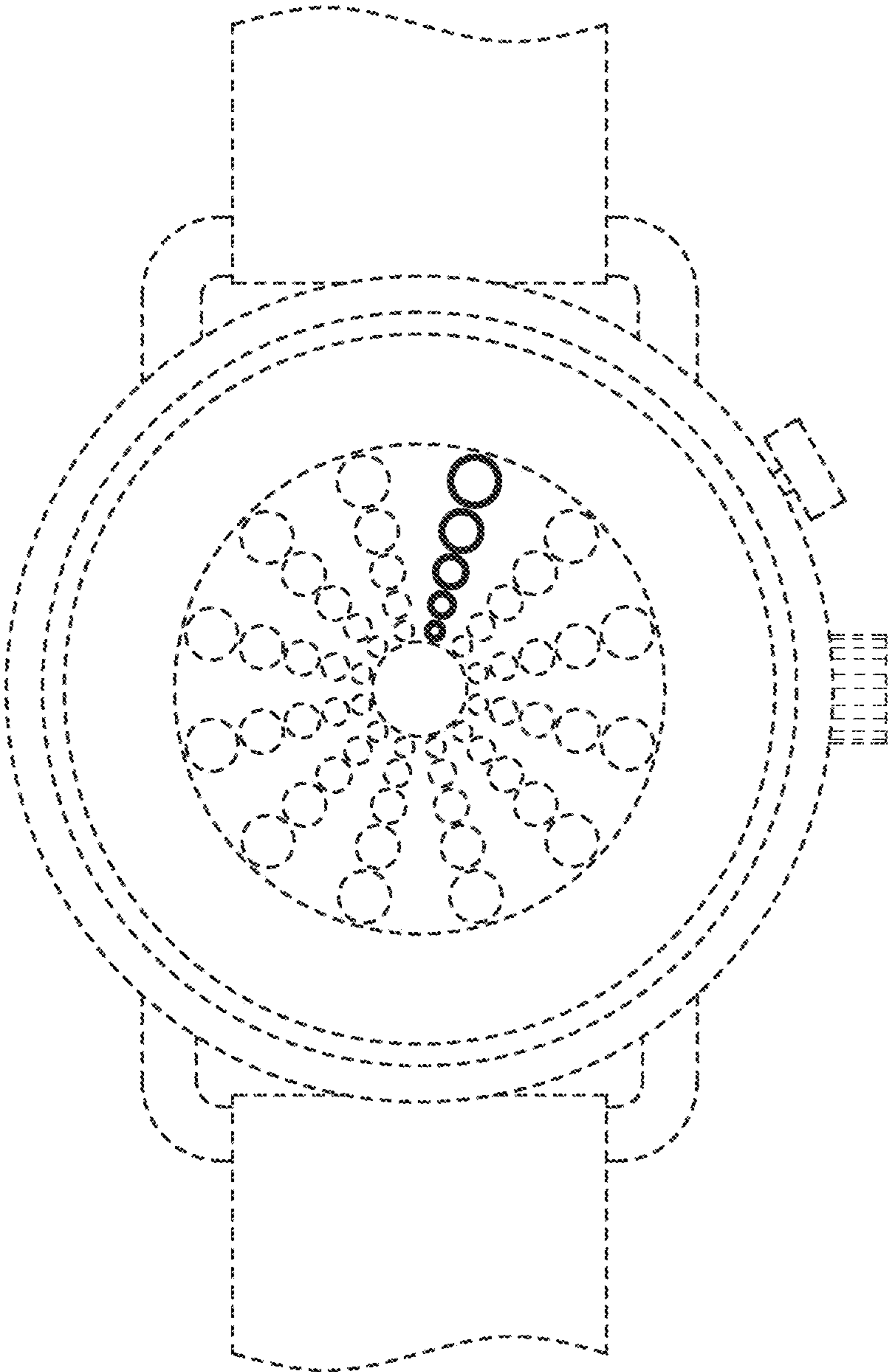


Fig. 10