



US00D787522S

(12) **United States Design Patent** (10) **Patent No.:** **US D787,522 S**
Lee et al. (45) **Date of Patent:** **** May 23, 2017**

(54) **STAND FOR MONITOR**

(56) **References Cited**

(71) Applicant: **Samsung Electronics Co., Ltd.**,
Suwon-si, Gyeonggi-do (KR)

U.S. PATENT DOCUMENTS

(72) Inventors: **Yong-Joo Lee**, Seoul (KR); **Tae-Yeon Won**, Seoul (KR)

D295,415 S * 4/1988 Thies D14/452
D588,141 S * 3/2009 Heggland D14/434
D628,578 S * 12/2010 Chou D14/451
D688,672 S * 8/2013 Seo D14/451
D733,160 S * 6/2015 Lee D14/451
D757,021 S * 5/2016 Won D14/451
D758,375 S * 6/2016 Won D14/451
D759,002 S * 6/2016 Won D14/239

(73) Assignee: **Samsung Electronics Co., Ltd.**,
Gyeonggi-do (KR)

(Continued)

(**) Term: **15 Years**

Primary Examiner — Garth Rademaker

(21) Appl. No.: **29/505,573**

Assistant Examiner — Katie Stofko Mroczka

(22) Filed: **Dec. 23, 2015**

(74) *Attorney, Agent, or Firm* — Cantor Colburn LLP

(51) **LOC (10) Cl.** **08-07**

(52) **U.S. Cl.**
USPC **D14/451**

(57) **CLAIM**

(58) **Field of Classification Search**
USPC D14/371–382, 125–129, 335–337,
D14/447–452, 492, 239, 457, 439–441,
D14/432, 251–253; D8/349, 354, 363,
D8/373, 376, 380; 348/180, 184, 325,
348/739, 825; D12/407, 415; D3/218;
341/12

The ornamental design for an stand for monitor, as shown and described.

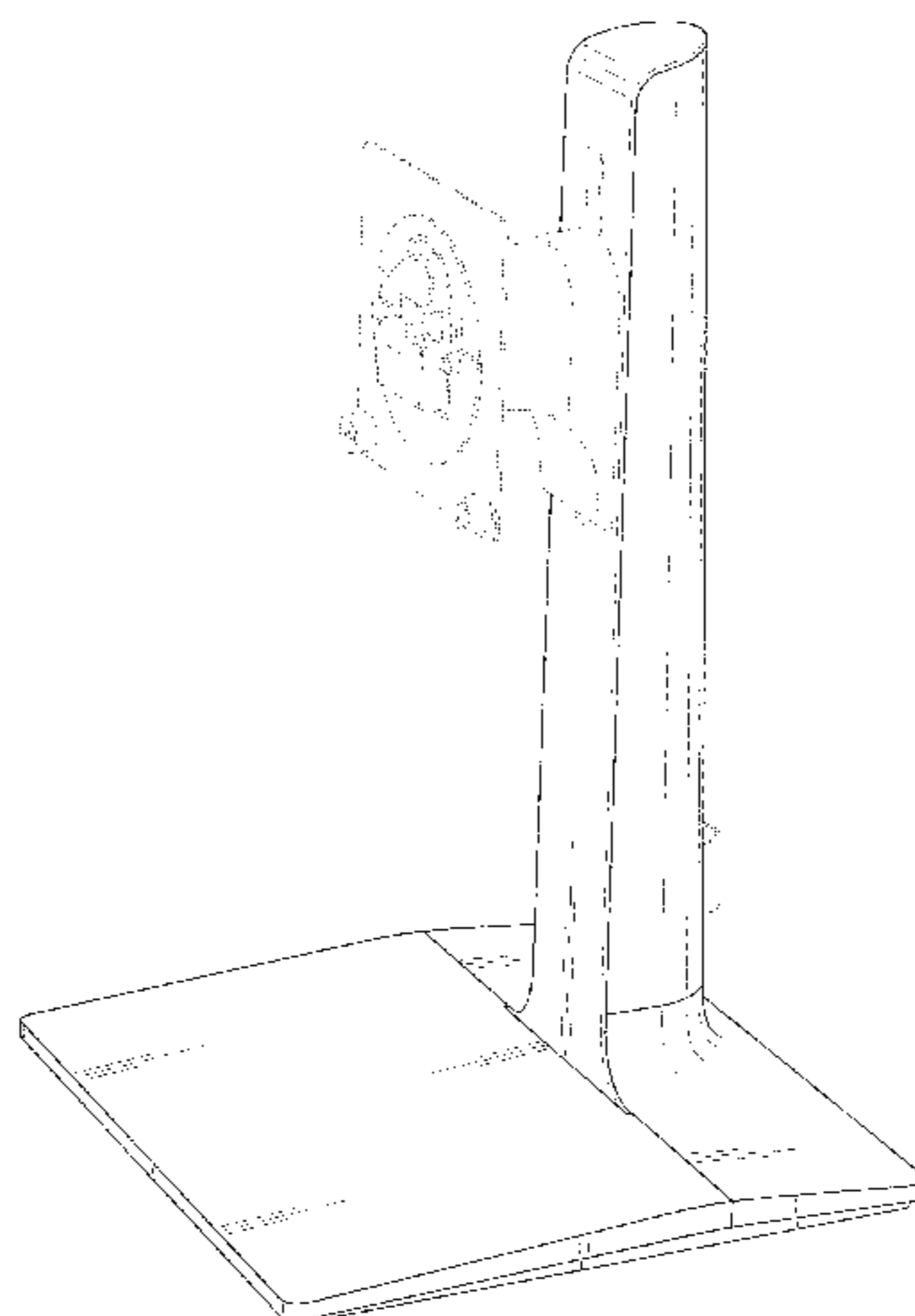
CPC G06F 3/0412; G06F 3/016; G06F 3/0488;
G06F 3/011; G06F 3/038; G06F 3/03543;
G06F 3/0338; G06F 3/0202; G06F
3/0219; G06F 3/0213; G06F 1/1616;
G06F 3/023; G06F 3/04883; G02F
1/13338; G02F 1/1313; G02F 1/1333;
G02F 1/135; G02F 1/132; G02F
1/133308; G02F 1/134309; G02F
1/13718; G09G 3/3648; G06K 15/1252;
B41J 2/465; G03F 7/70291; G02B
27/0172; G02B 5/30; G02B 2027/0118;
G02B 27/0101; F16M 13/02; F16M
13/00; F16M 11/10; F16M 11/04; F16M
2200/08; F16M 11/2021; A47B 21/0314;
A47B 88/044; A47B 2021/0335; H02G
3/126; F16B 47/00; F16B 47/006; A47G
1/17; A47K 2201/00

DESCRIPTION

FIG. 1 is a perspective view of a stand for monitor showing our new design;
FIG. 2 is a front view thereof;
FIG. 3 is a rear view thereof;
FIG. 4 is a left-side view thereof;
FIG. 5 is a right-side view thereof;
FIG. 6 is a top plan view thereof;
FIG. 7 is a bottom plan view thereof;
FIG. 8 is a rear perspective view thereof; and,
FIG. 9 is another perspective as shown in a monitor environment.
The broken lines shown in FIGS. 1-6 and 8 illustrate portions of the stand for monitor that form no part of the claimed design. The broken lines illustrating a monitor in FIG. 9 show environment, while the remaining broken lines in FIG. 9 illustrate portions of the stand for monitor that form no part of the claimed design.

See application file for complete search history.

1 Claim, 9 Drawing Sheets



(56)

References Cited

U.S. PATENT DOCUMENTS

D760,723 S * 7/2016 Won D14/447
D771,633 S * 11/2016 Xiang et al. D14/451
2004/0084579 A1* 5/2004 Lee F16M 11/08
248/125.1
2007/0064380 A1* 3/2007 Shin F16M 11/105
361/679.07
2007/0252919 A1* 11/2007 McGreevy F16M 11/10
348/825

* cited by examiner

FIG. 1

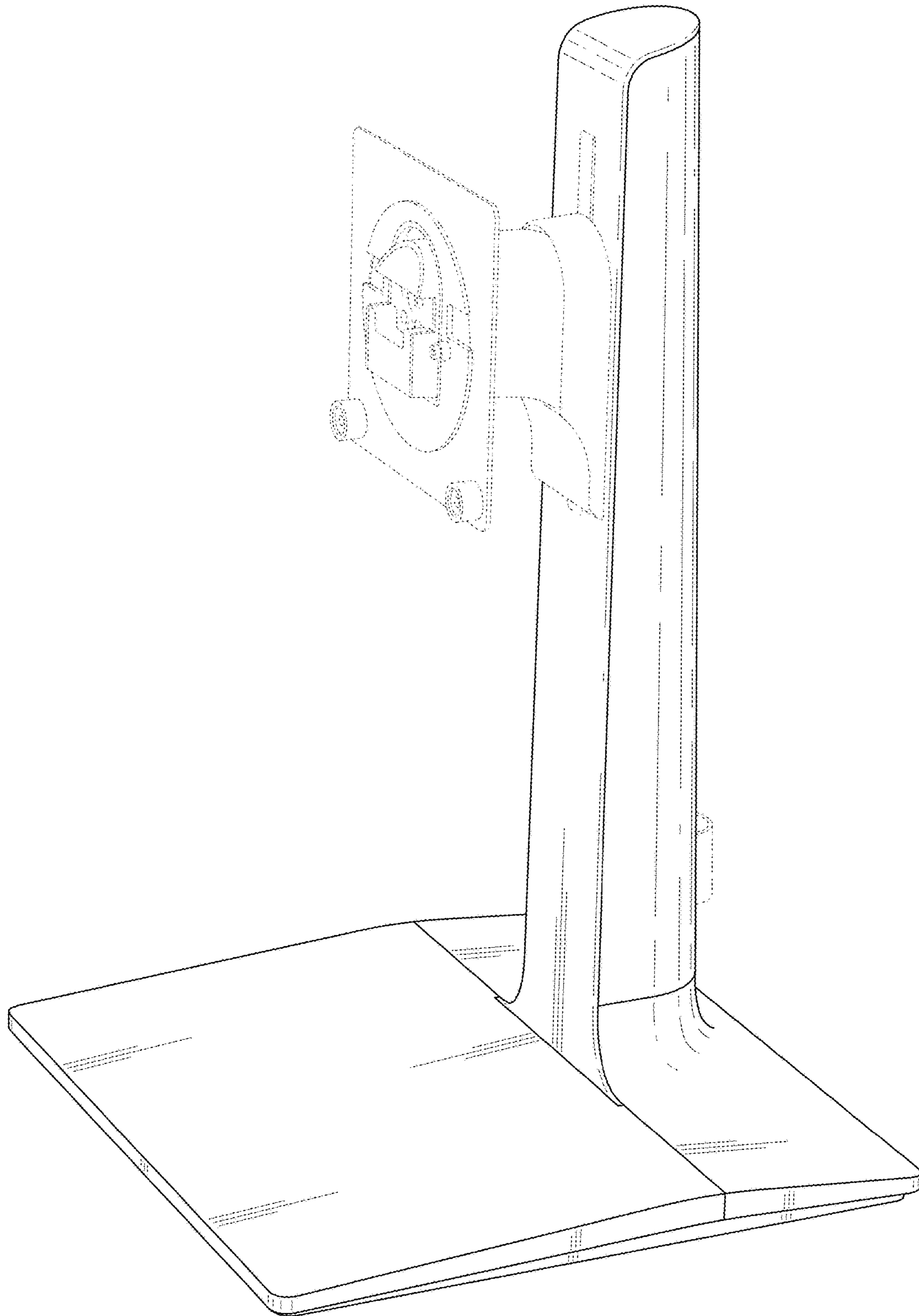


FIG. 2

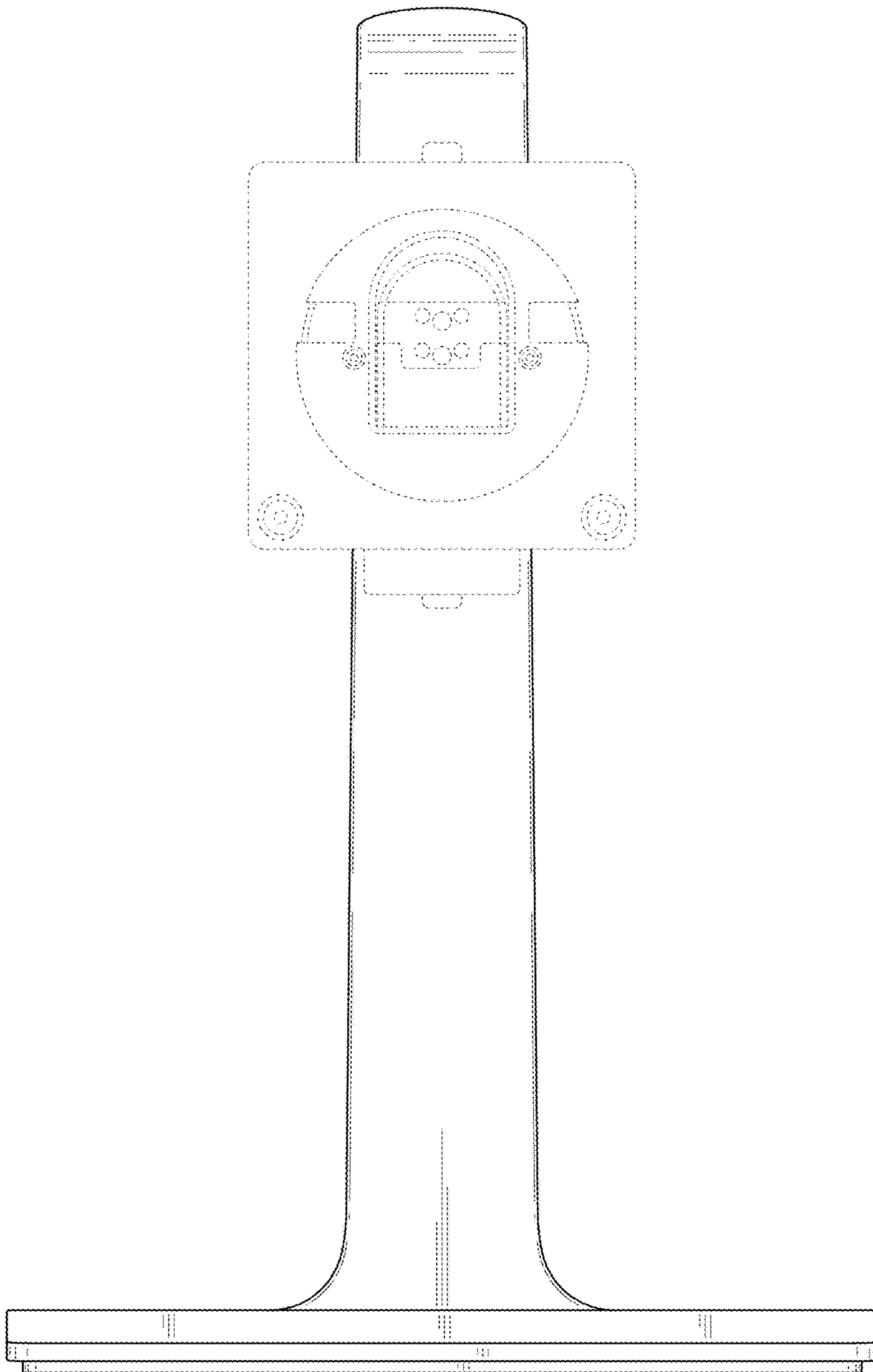


FIG. 3

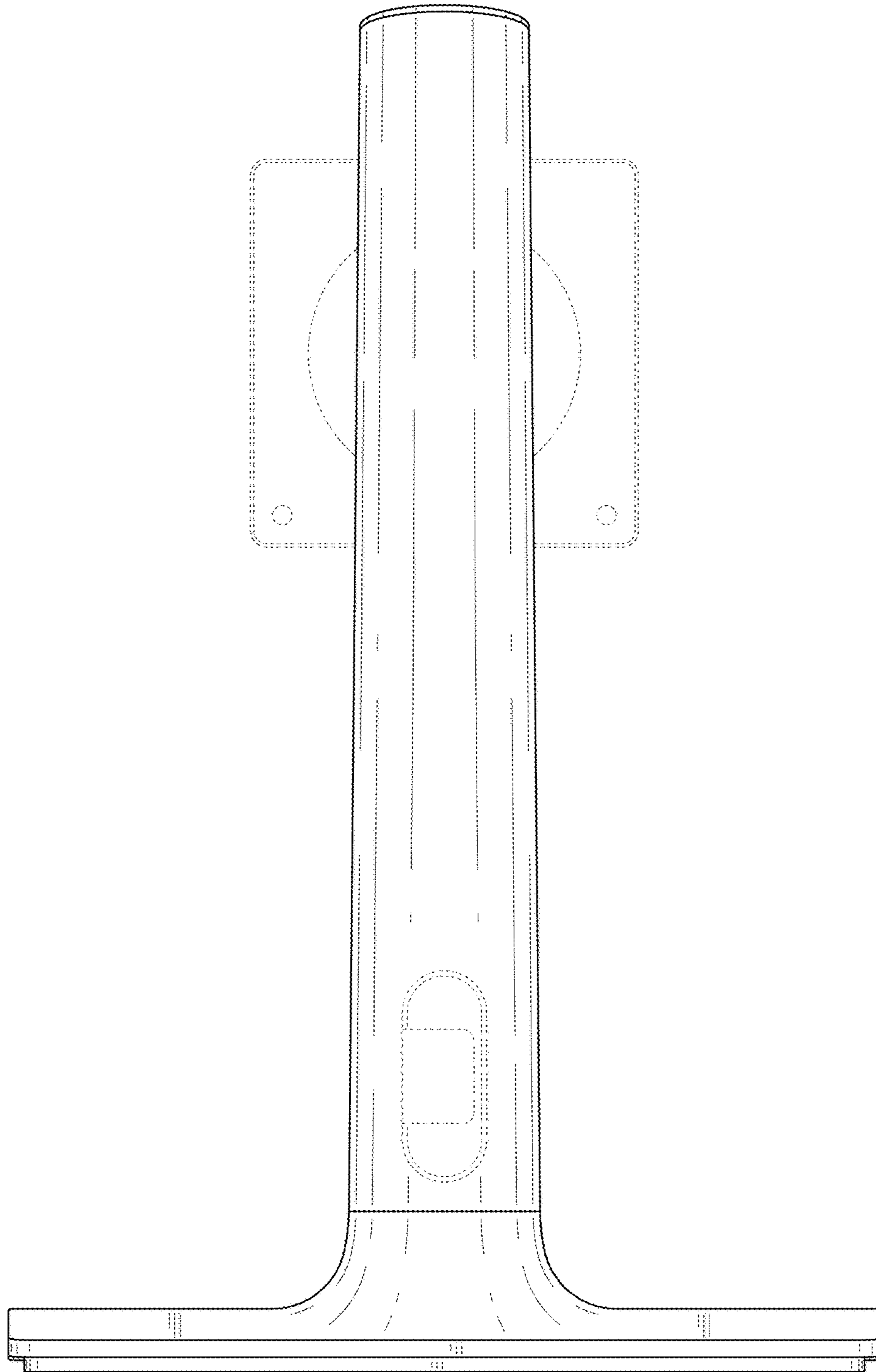


FIG. 4

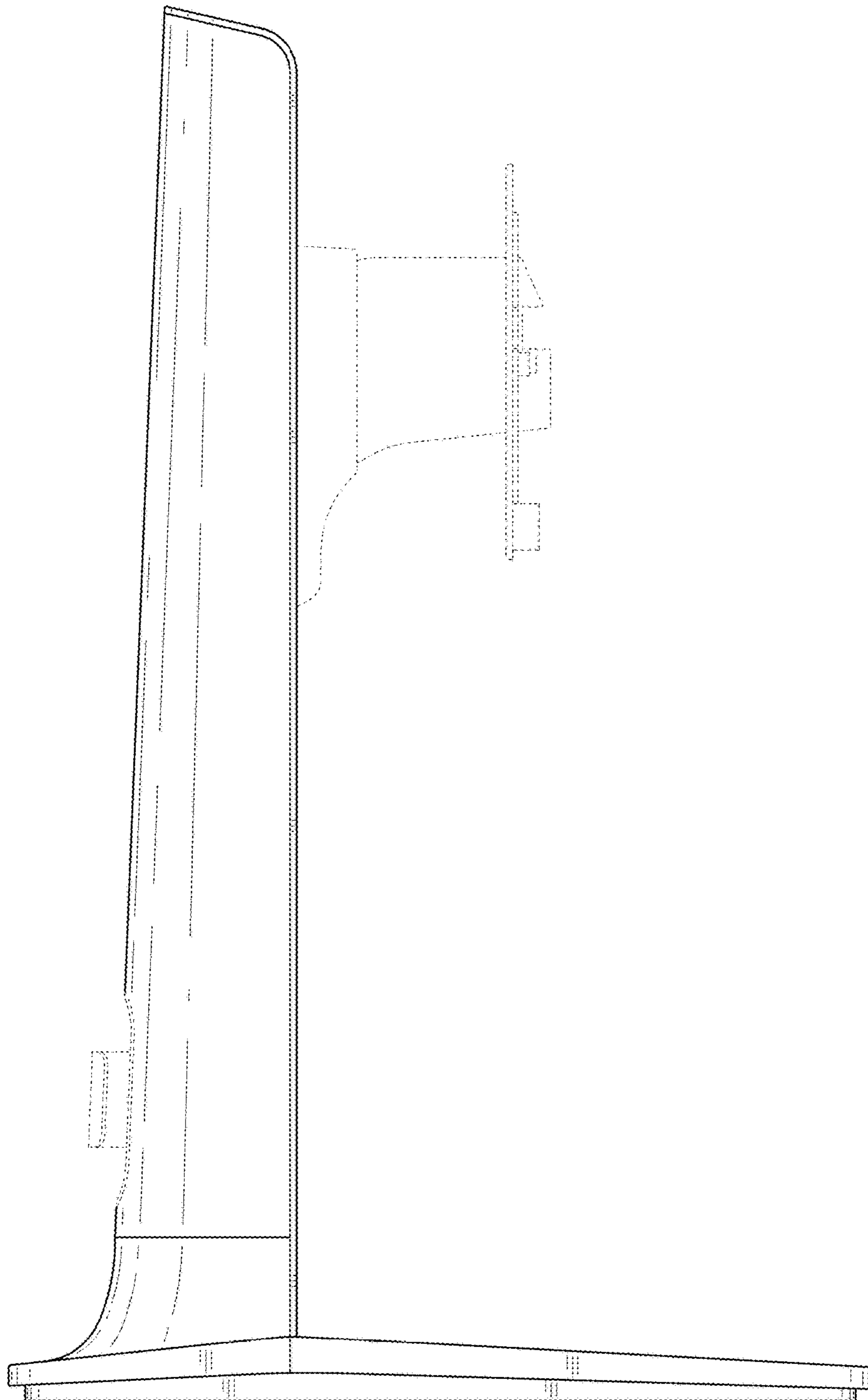


FIG. 5

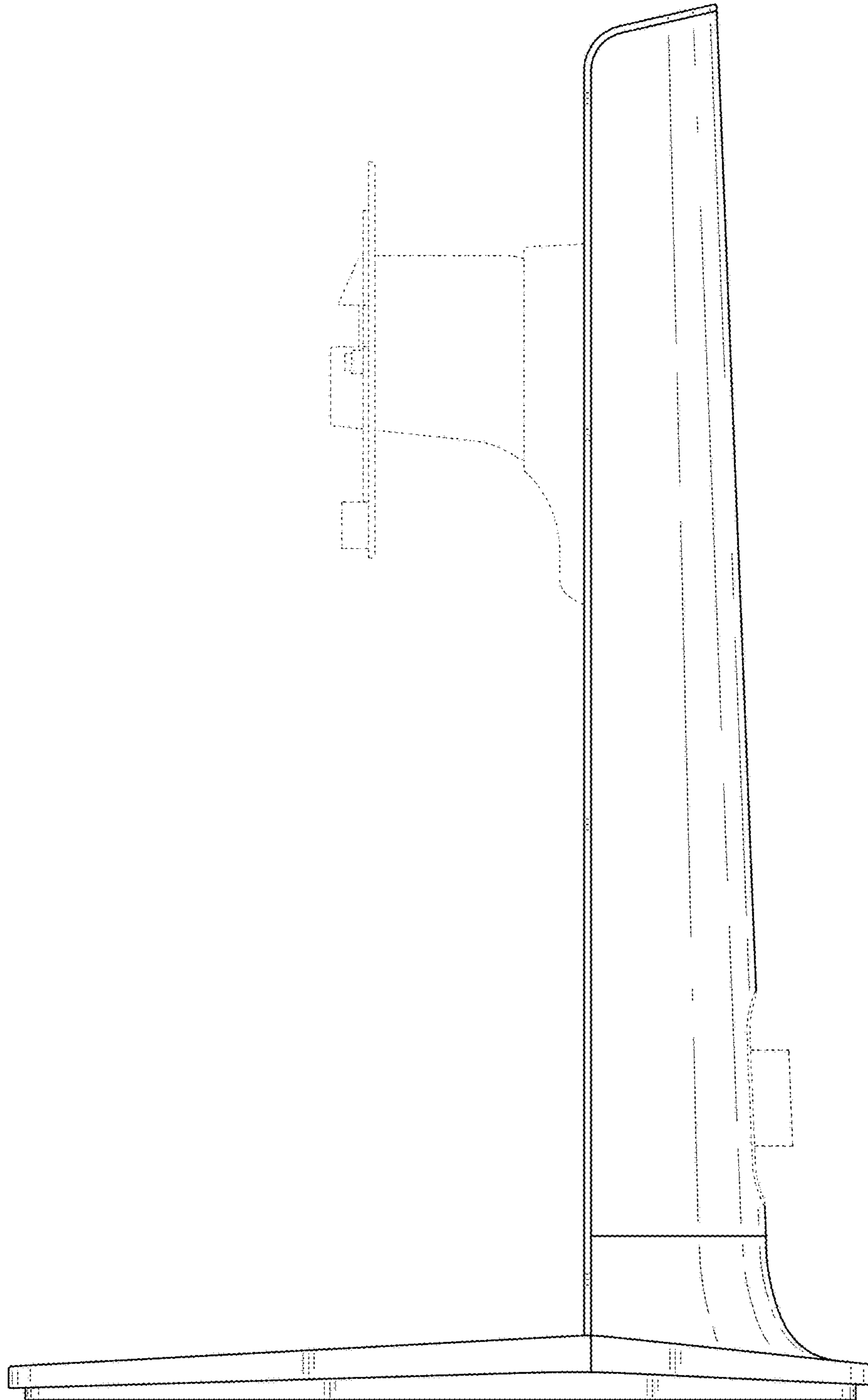


FIG. 6

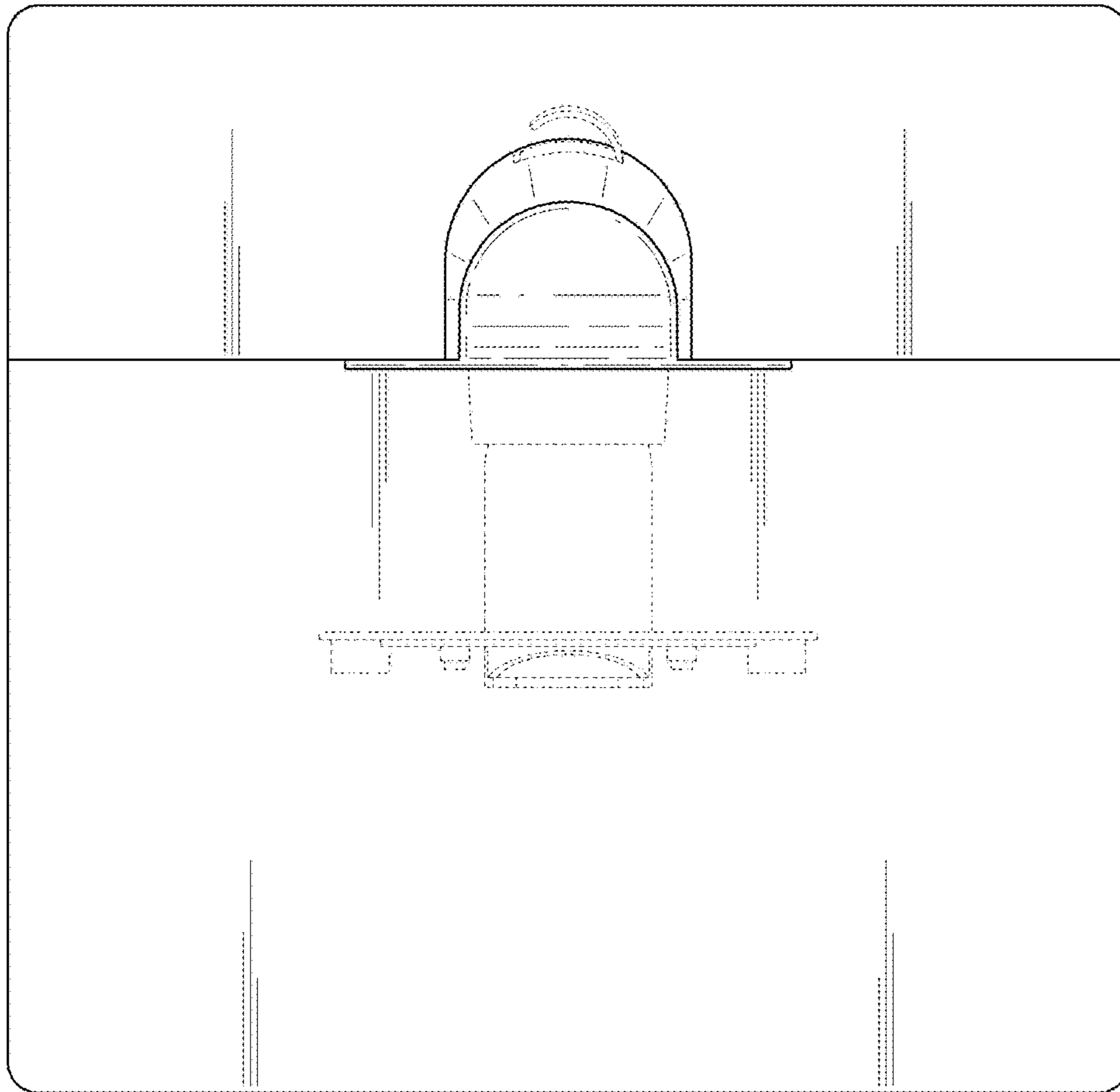


FIG. 7

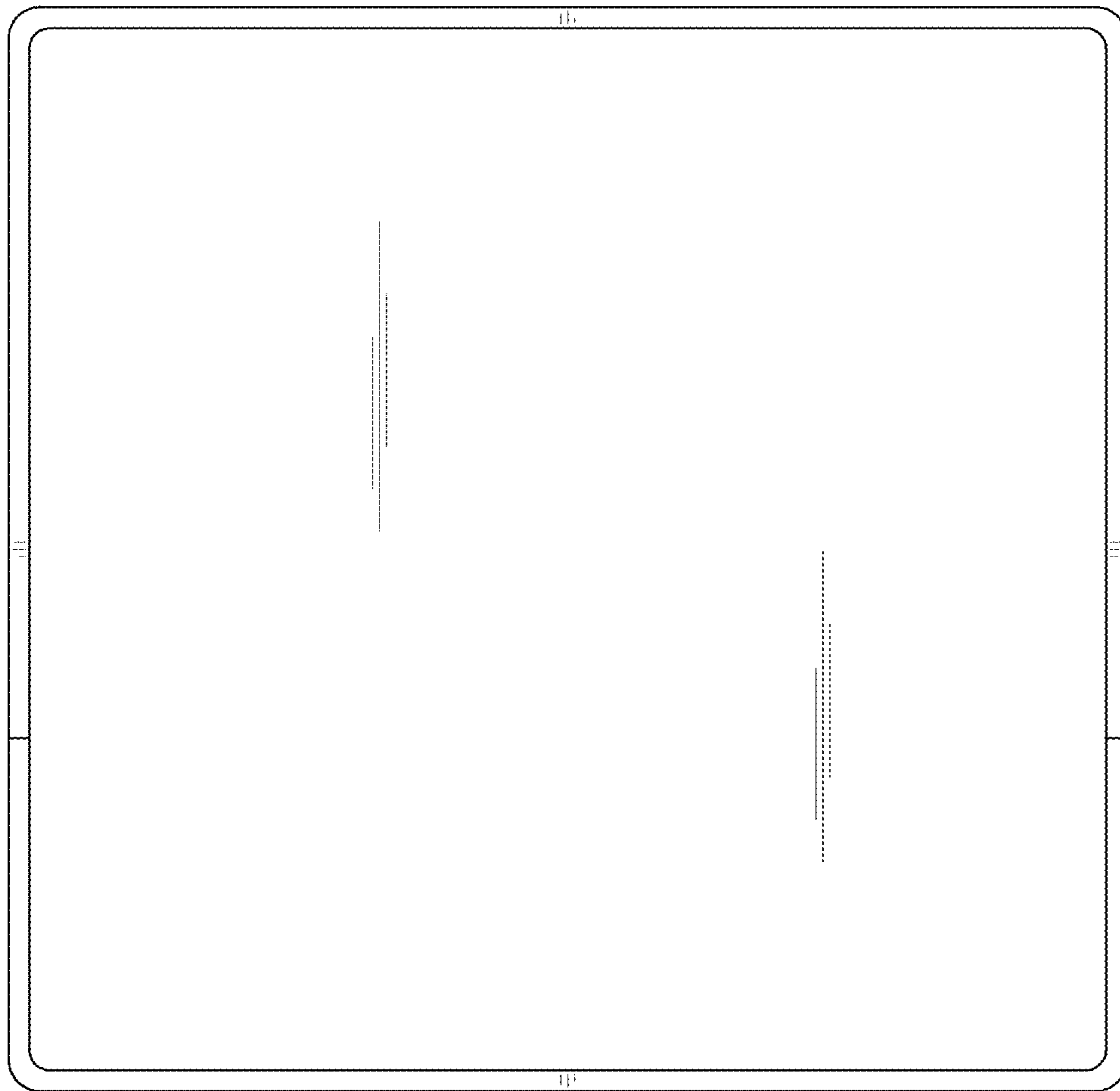


FIG. 8

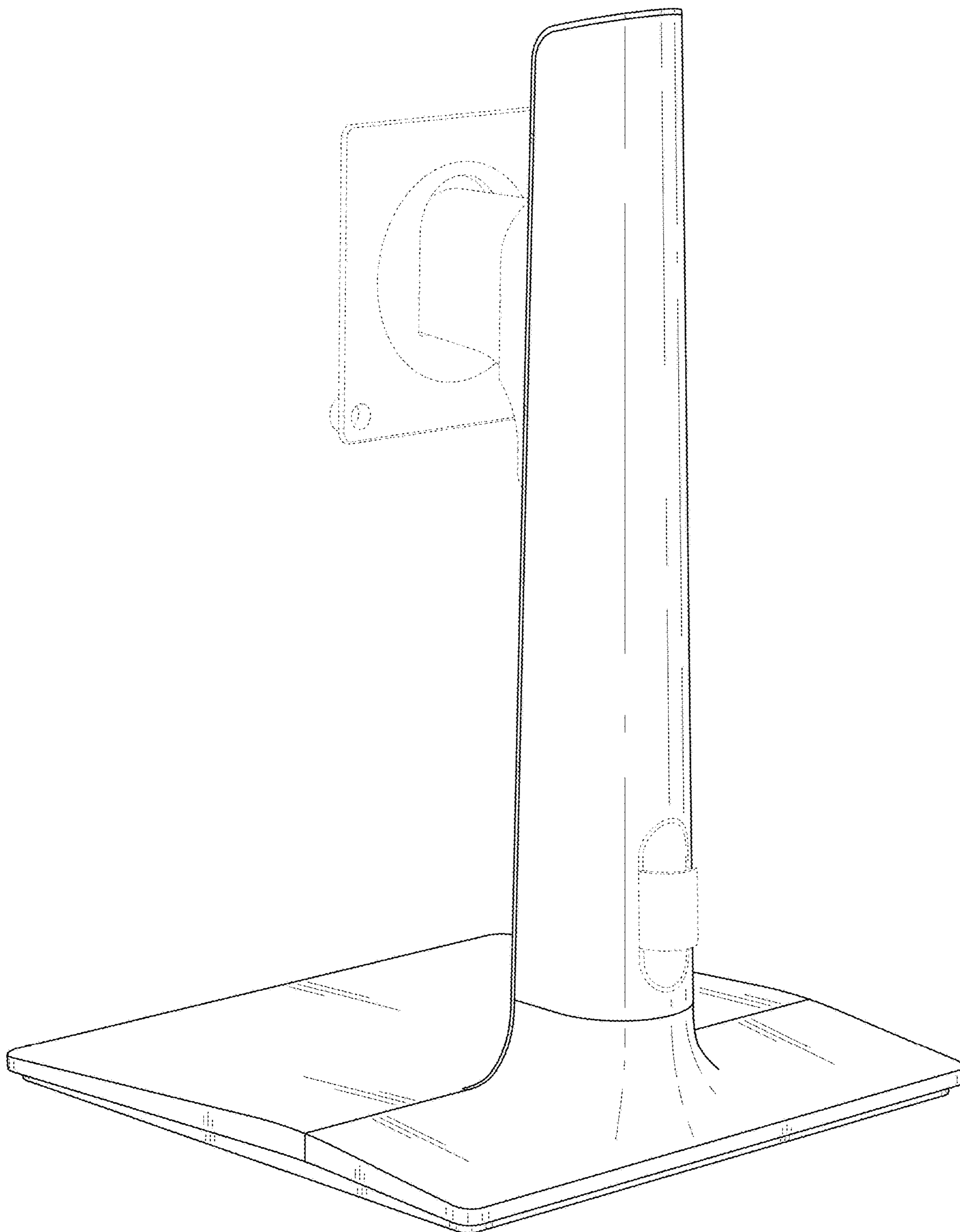


FIG. 9

