



US00D787521S

(12) **United States Design Patent** (10) **Patent No.:** **US D787,521 S**  
**Chen** (45) **Date of Patent:** **\*\* May 23, 2017**

(54) **TABLET PC STAND**  
(71) Applicant: **Shenzhen ShengDi Development Co., Ltd.**, Shenzhen (CN)  
(72) Inventor: **Haiqiang Chen**, Yingde (CN)  
(73) Assignee: **SHENZHEN SHENGDI DEVELOPMENT CO., LTD.**, Shenzhen (CN)

(\*\*) Term: **15 Years**

(21) Appl. No.: **29/568,325**

(22) Filed: **Jun. 16, 2016**

(51) **LOC (10) Cl.** ..... **08-07**

(52) **U.S. Cl.**  
USPC ..... **D14/447**

(58) **Field of Classification Search**  
USPC ..... D14/447, 432, 434, 439, 440, 451, 452, D14/457, 239; D12/415; D6/406.3, D6/406.4, 406.5, 406.6; D8/363, 373, D8/380  
CPC ..... A47B 21/04; A47B 2097/006; A47B 2097/005; A47B 2023/049; A45C 2011/002; A45C 2011/003; F16M 2200/00; F16M 13/00  
See application file for complete search history.

(56) **References Cited**

**U.S. PATENT DOCUMENTS**

D640,708 S \* 6/2011 Lee ..... D14/447  
D677,260 S \* 3/2013 Hong ..... D14/447  
D693,826 S \* 11/2013 Ashida ..... D14/447  
D714,297 S \* 9/2014 Poulsen ..... D14/447

D722,063 S \* 2/2015 Zwerner ..... D14/447  
D722,064 S \* 2/2015 Zwerner ..... D14/447  
D722,065 S \* 2/2015 Zwerner ..... D14/447  
D754,135 S \* 4/2016 Cromack ..... D14/447  
D754,668 S \* 4/2016 Manabe ..... D14/447  
D756,367 S \* 5/2016 Kim ..... D14/447  
D767,575 S \* 9/2016 Green ..... D14/447  
D771,055 S \* 11/2016 Sharma ..... D14/447  
D779,478 S \* 2/2017 Justiss ..... D14/253

\* cited by examiner

*Primary Examiner* — Angela J Lee

(74) *Attorney, Agent, or Firm* — Pro-TECHTOR International Services; Ian Oglesby

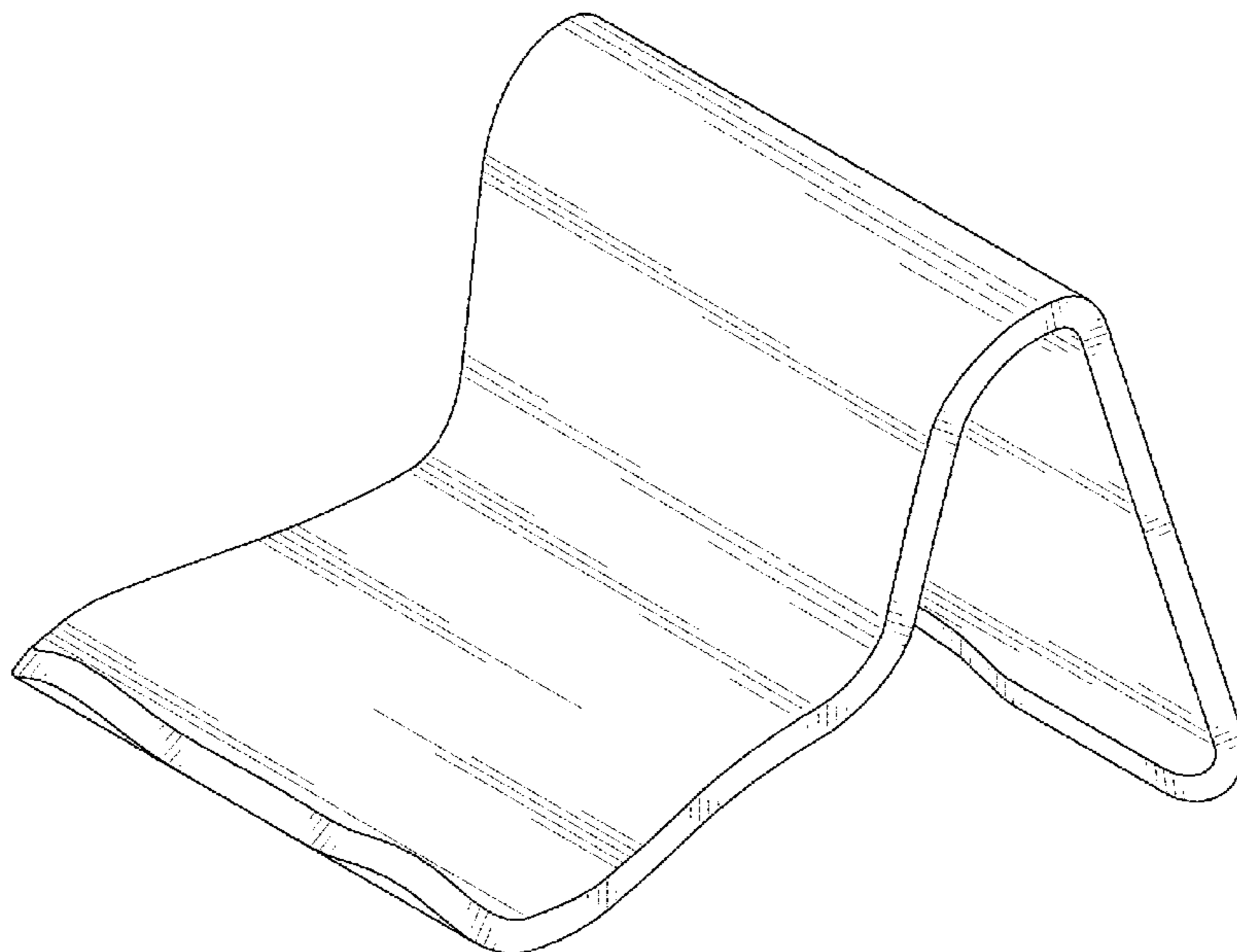
(57) **CLAIM**

The ornamental design for the tablet PC stand, as shown and described.

**DESCRIPTION**

FIG. 1 is a front perspective view of a tablet PC stand showing my new design;  
FIG. 2 is a front elevational view thereof;  
FIG. 3 is a rear elevational view thereof;  
FIG. 4 is a left side elevational view thereof;  
FIG. 5 is a right side elevational view thereof;  
FIG. 6 is a top plan view thereof;  
FIG. 7 is a bottom plan view thereof; and,  
FIG. 8 is a front perspective view thereof, but showing the tablet PC stand in use with a tablet PC shown in broken lines. The tablet PC shown in broken lines is included for environmental purposes only and forms no part of the claimed design.

**1 Claim, 8 Drawing Sheets**



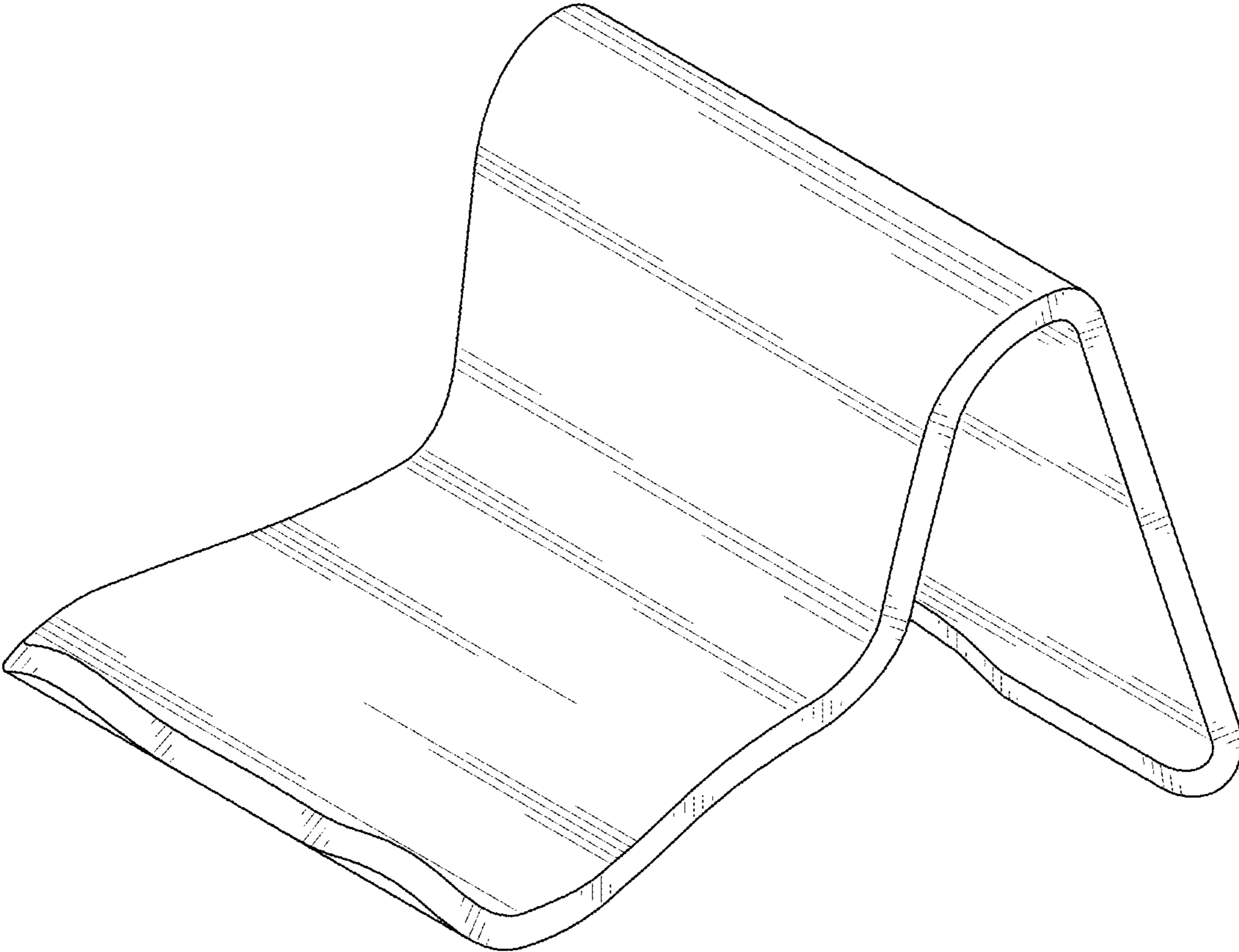


FIG. 1

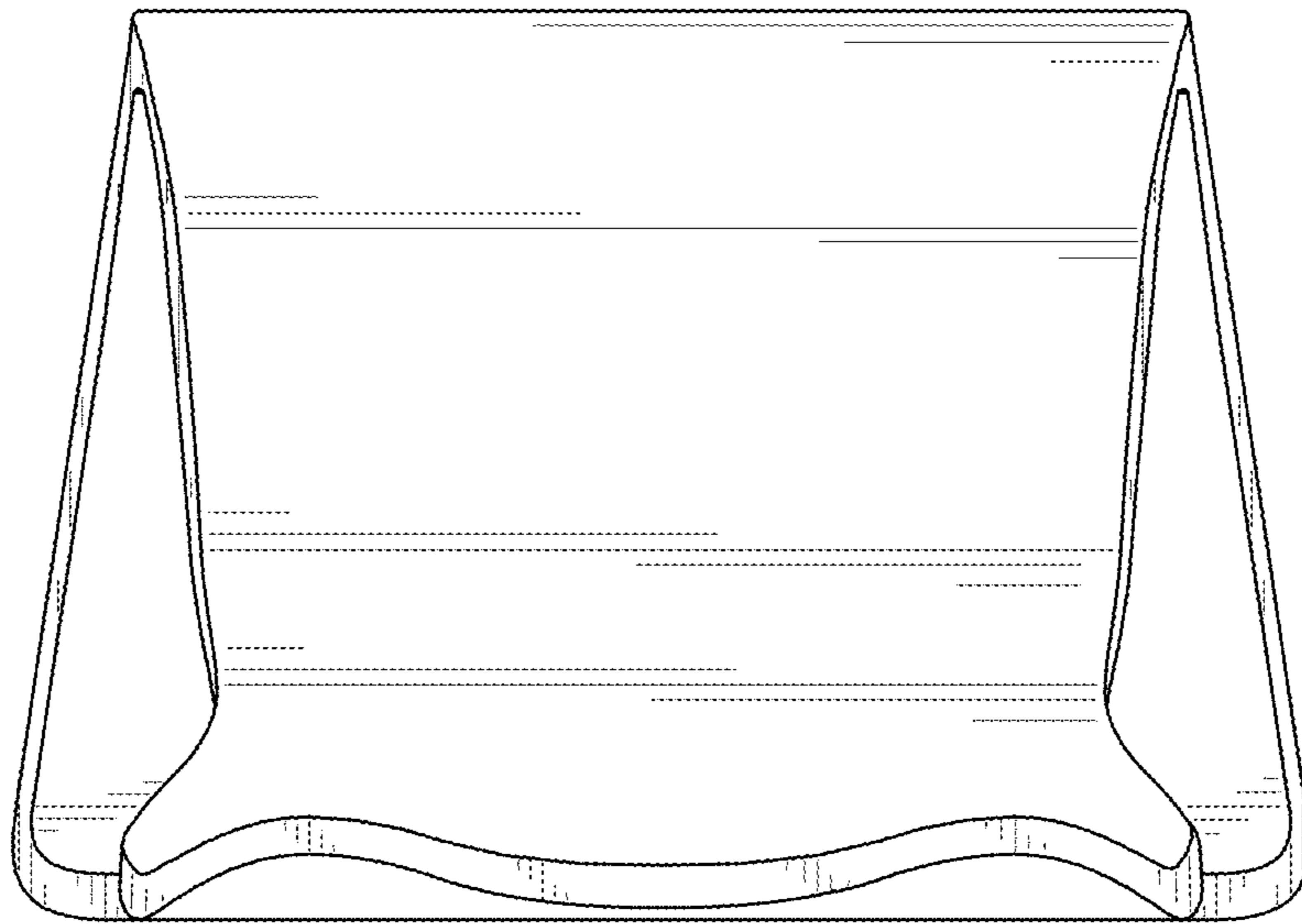


FIG. 2

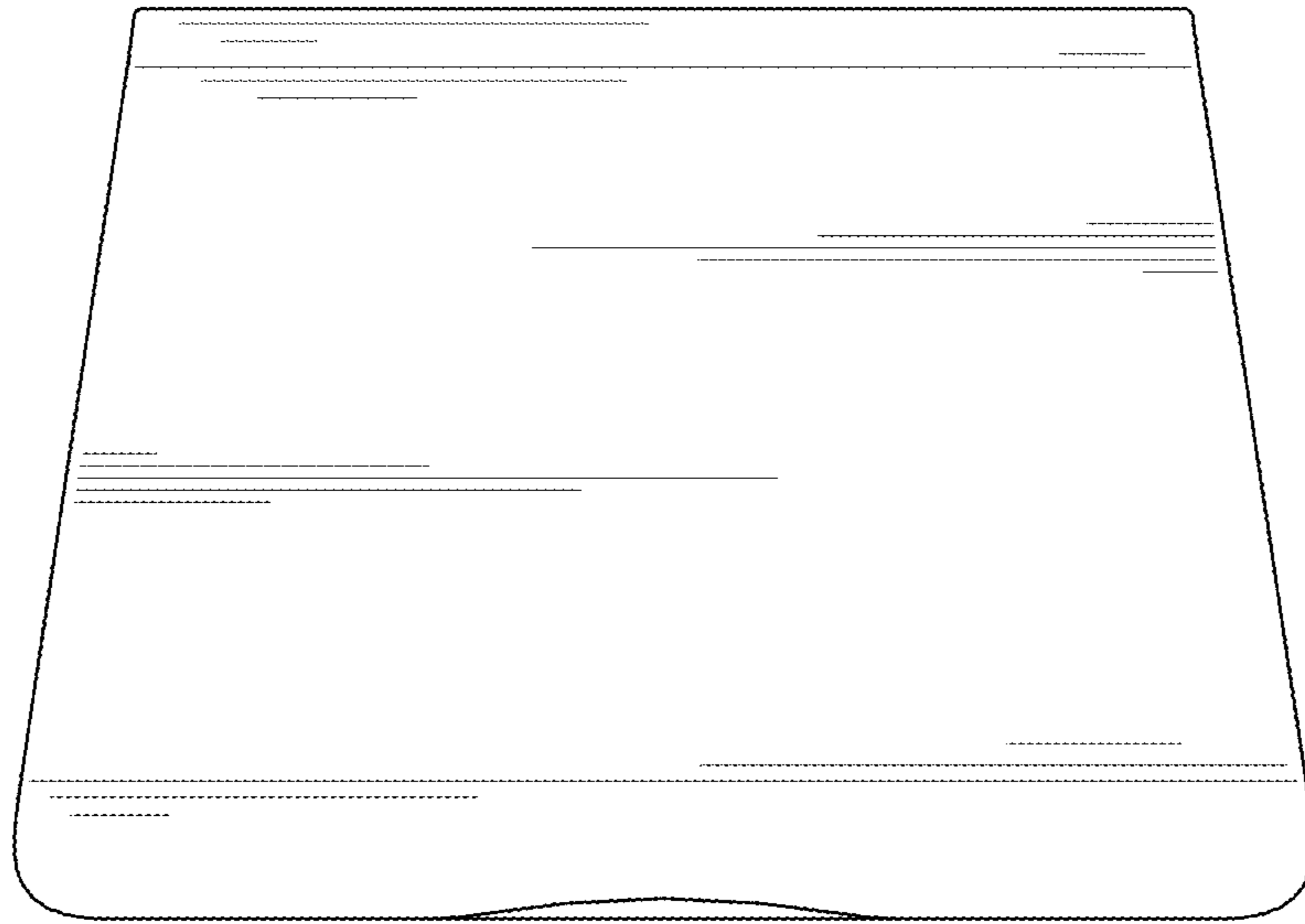


FIG. 3

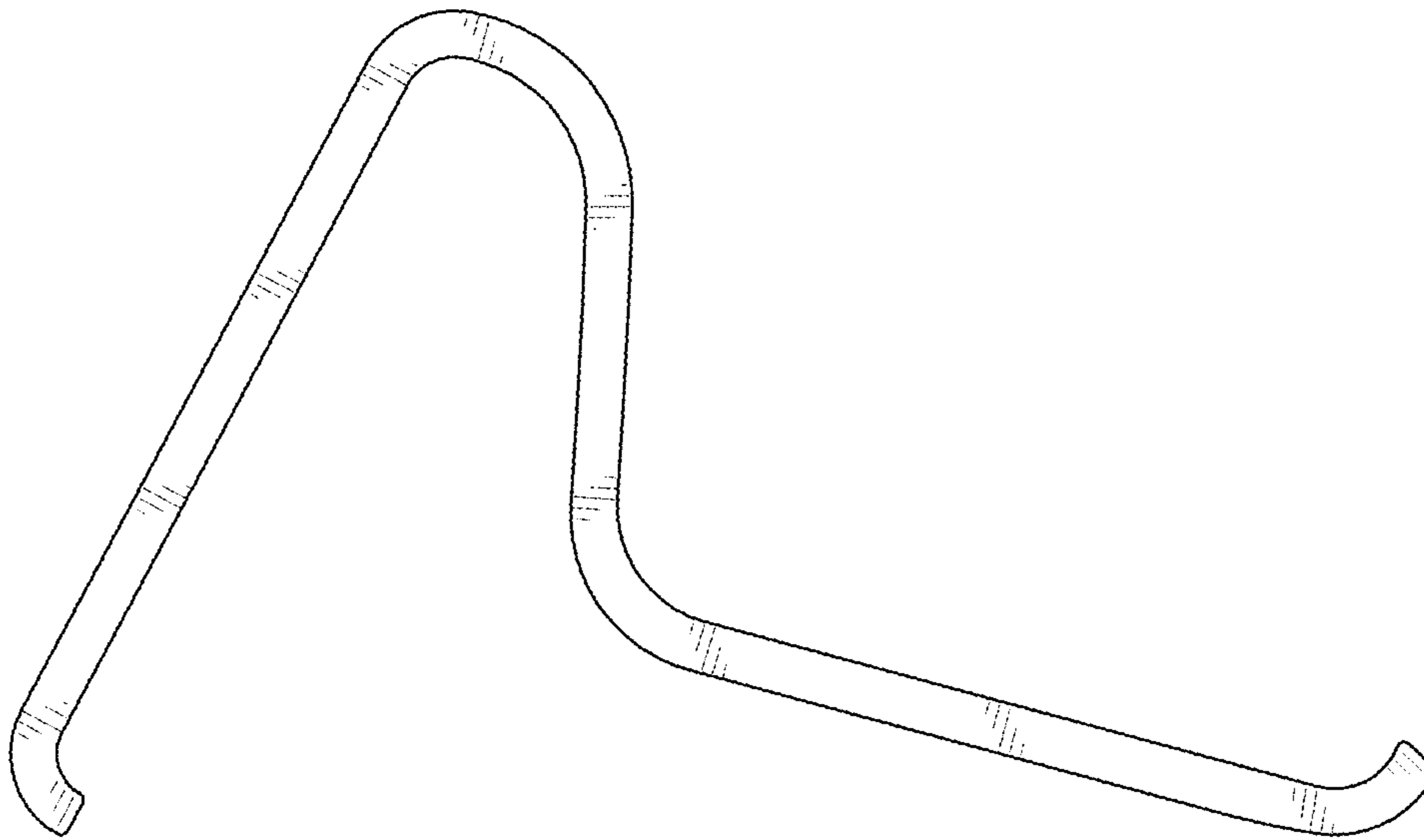


FIG. 4

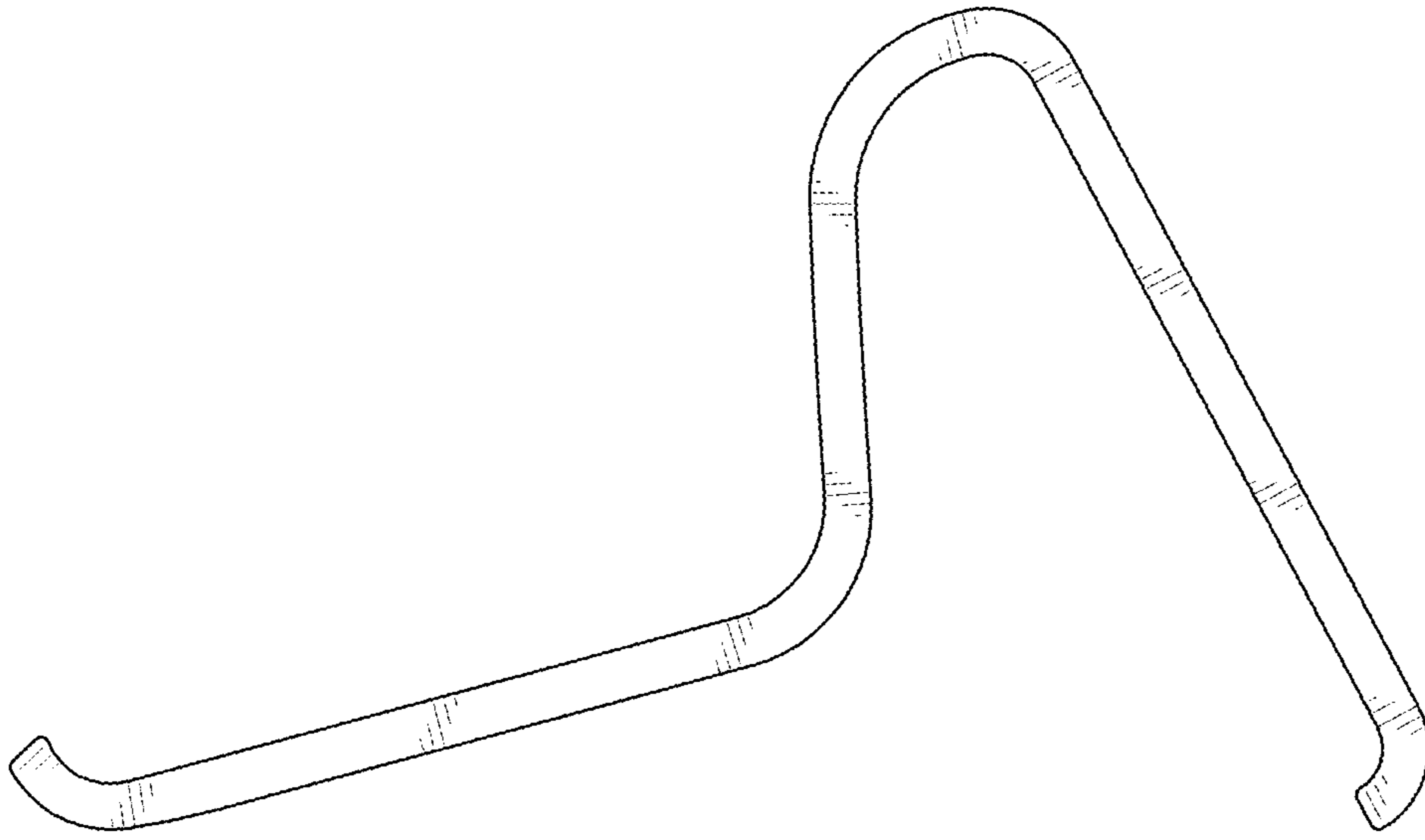


FIG. 5

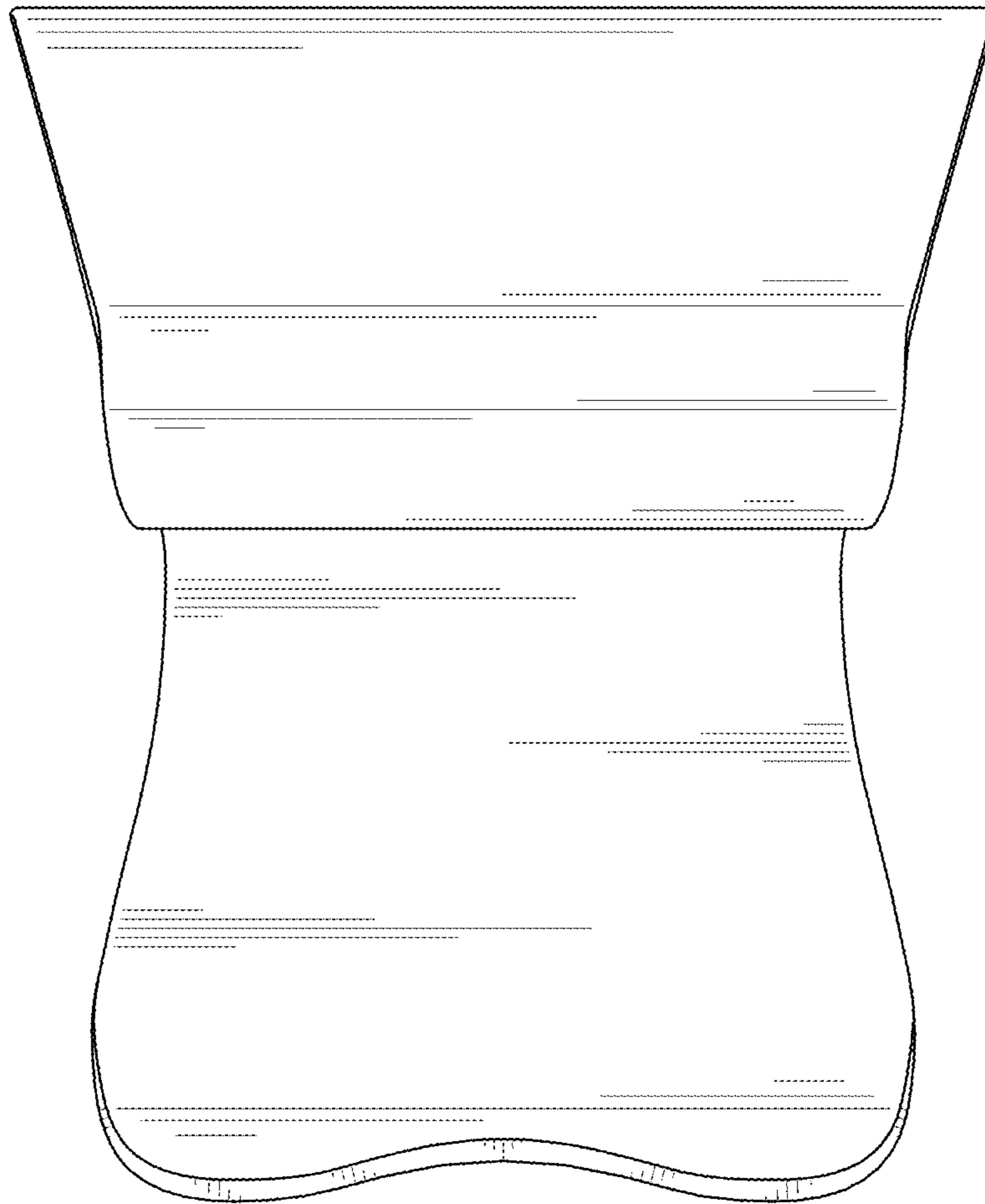


FIG. 6

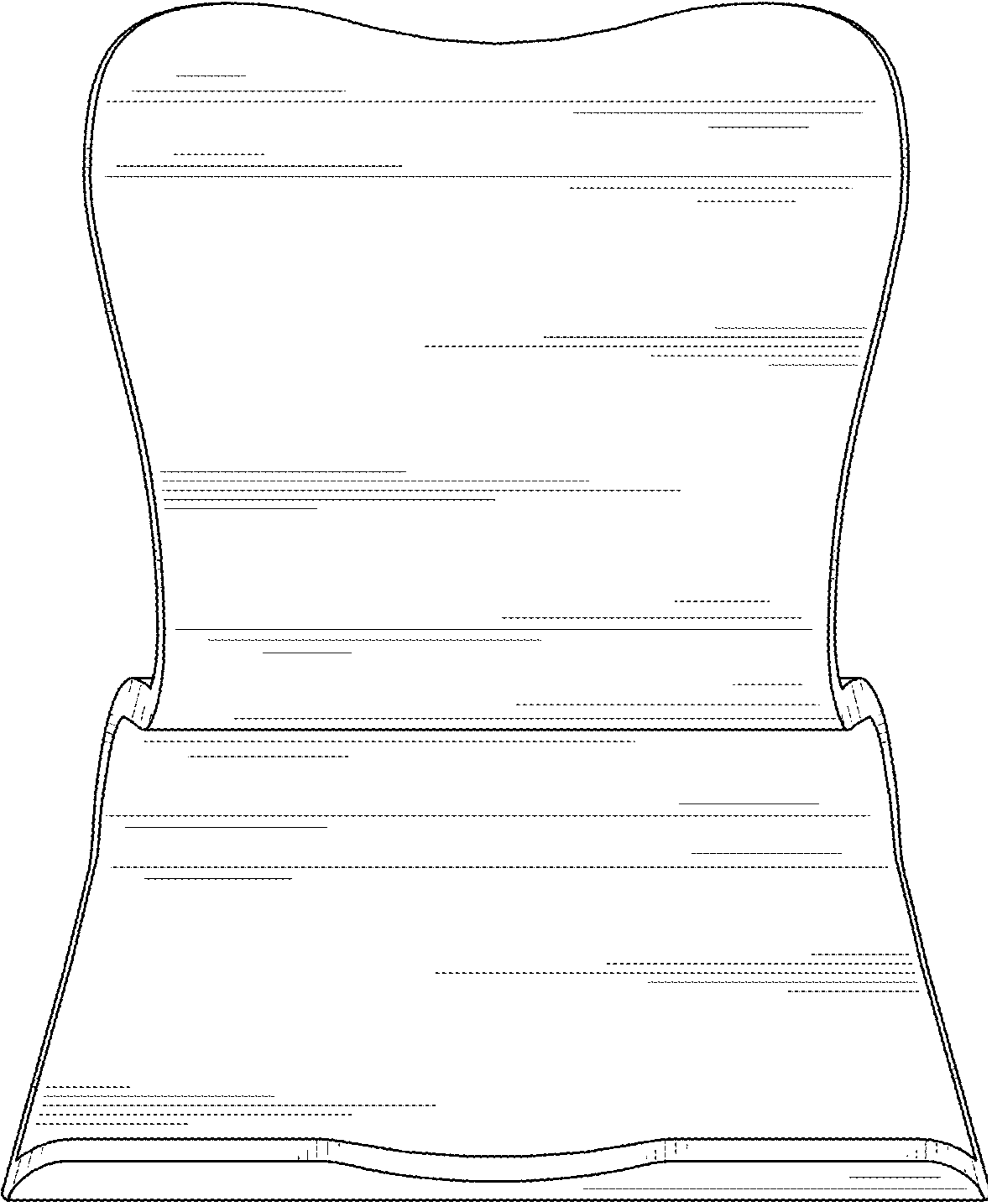


FIG. 7



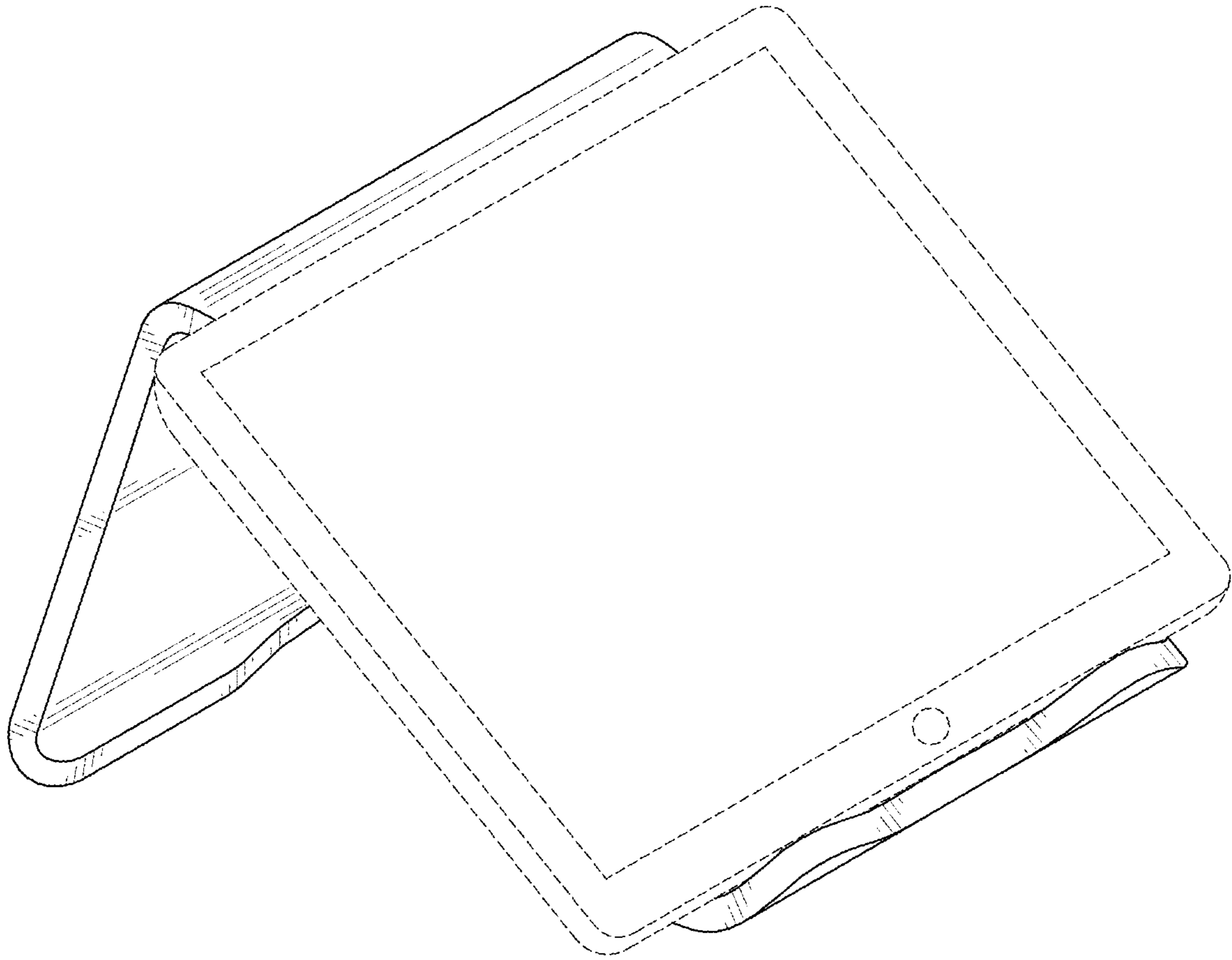


FIG. 8