



US00D787518S

(12) **United States Design Patent** (10) **Patent No.:** **US D787,518 S**
Tudisco (45) **Date of Patent:** **** May 23, 2017**

(54) **STYLUS**
(71) Applicant: **Paul Joseph Tudisco**, Brooklyn, NY (US)
(72) Inventor: **Paul Joseph Tudisco**, Brooklyn, NY (US)
(**) Term: **15 Years**
(21) Appl. No.: **29/537,069**
(22) Filed: **Aug. 21, 2015**
(51) **LOC (10) Cl.** **14-02**
(52) **U.S. Cl.**
USPC **D14/411; D24/190**
(58) **Field of Classification Search**
USPC D14/402-411, 356, 388, 389, 383-385, D14/417, 426; 345/156-167; 463/36-38; 358/471, 473; 273/148 B
CPC G06F 3/03543; G06F 2203/0333; G06F 3/039; G06F 3/038; G06F 2203/0384
See application file for complete search history.

D640,698 S * 6/2011 Shi D14/411
D642,176 S * 7/2011 Shi D14/411
D642,177 S * 7/2011 Shi D14/411
D662,098 S * 6/2012 Leto D14/411
D662,500 S * 6/2012 OQuin D14/411
D668,252 S * 10/2012 Lu D14/411
D692,430 S * 10/2013 Reynolds D14/411
D700,909 S * 3/2014 Bowser D14/411
D706,781 S * 6/2014 Lei D14/411
D710,360 S * 8/2014 Hu D14/411
D717,300 S * 11/2014 Gourishankar D14/411
D718,311 S * 11/2014 Burke D14/411
D730,606 S * 5/2015 Nitta D14/411
D751,554 S * 3/2016 Eaton D14/411
D762,645 S * 8/2016 Cavallaro D14/402

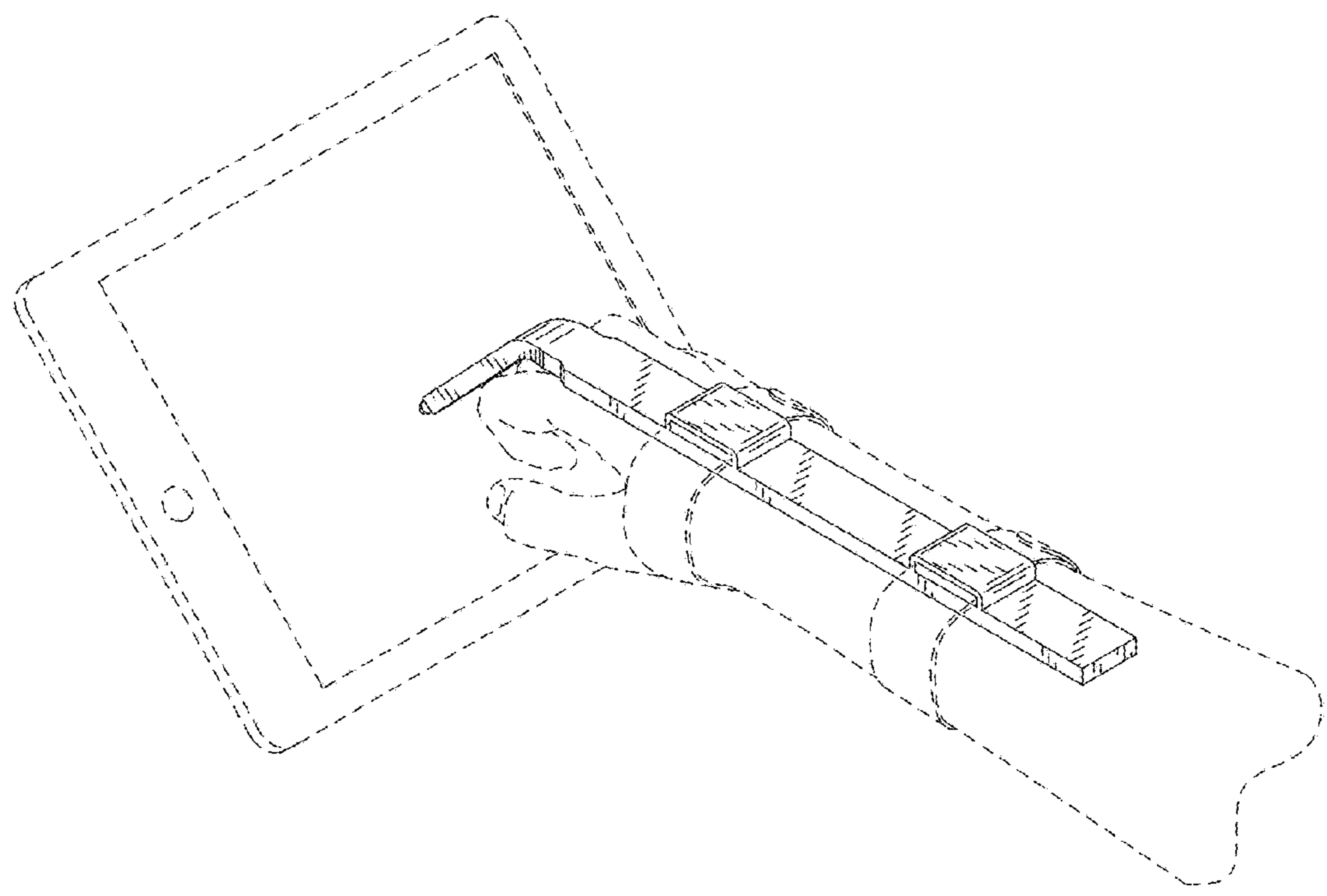
* cited by examiner
Primary Examiner — Austin Murphy
(74) *Attorney, Agent, or Firm* — Dunlap Bennett & Ludwig PLLC

(57) **CLAIM**
The ornamental design for a stylus, as shown and described.

DESCRIPTION
FIG. 1: Is a perspective view of the stylus shown in use;
FIG. 2: Is a top view of the stylus;
FIG. 3: Is a bottom view of the stylus;
FIG. 4: Is a rear view of the stylus;
FIG. 5: Is a front view of the stylus; and,
FIG. 6: Is a right side view of the stylus, the left side being a mirror thereof.
The broken lines shown in the drawings illustrate portions of the stylus that form no part of the claimed design.

1 Claim, 3 Drawing Sheets

(56) **References Cited**
U.S. PATENT DOCUMENTS
D285,821 S * 9/1986 Kneisley D11/5
D340,990 S * 11/1993 Kawamura D24/190
D418,494 S * 1/2000 Robb D14/411
D543,984 S * 6/2007 Riou D14/411
D576,625 S * 9/2008 Trigg D14/402
D597,547 S * 8/2009 Smith D14/411
D616,447 S * 5/2010 Smith D14/411
D617,798 S * 6/2010 Liu D14/411
D619,137 S * 7/2010 Ratai D14/411



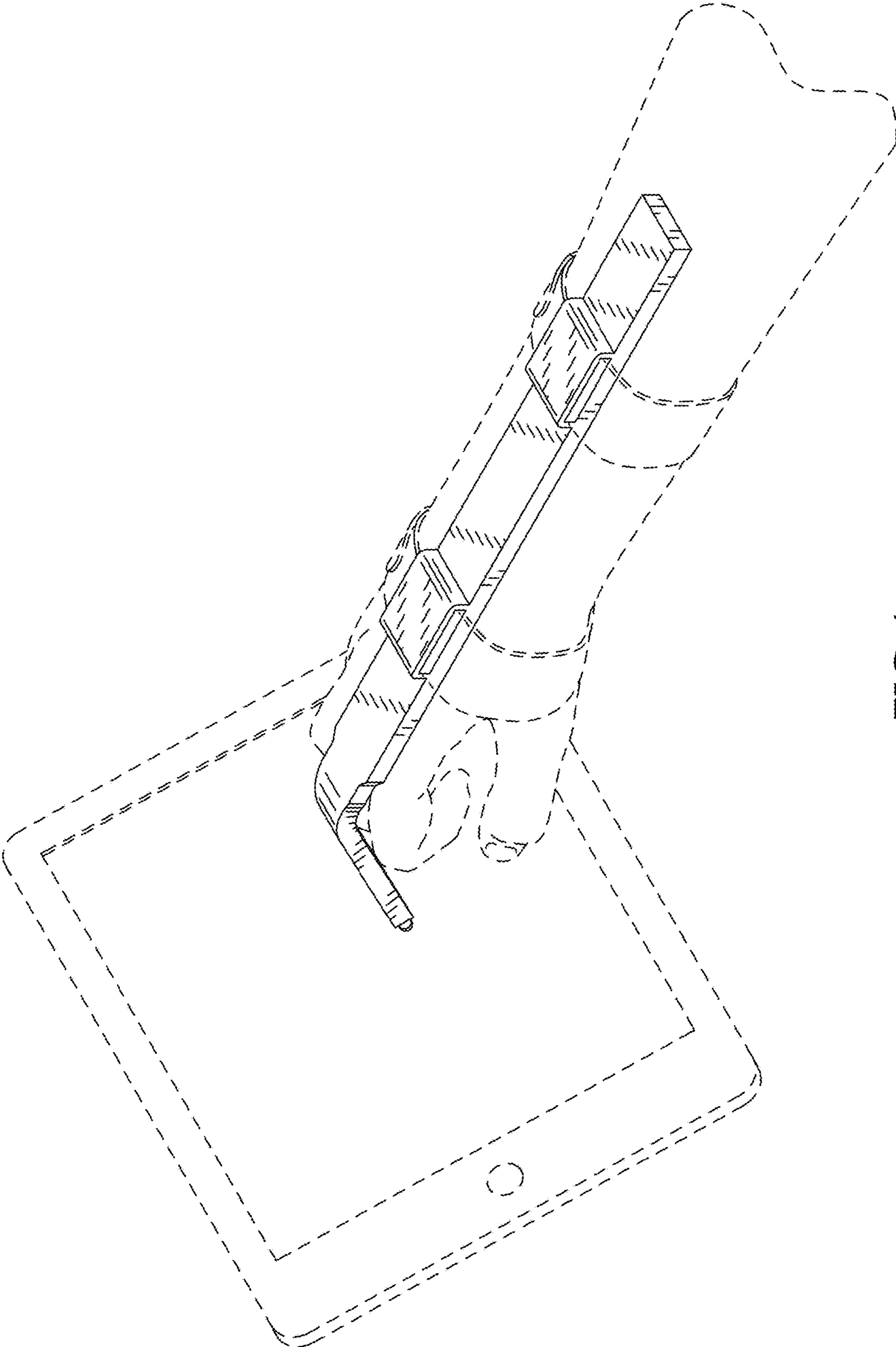


FIG.1

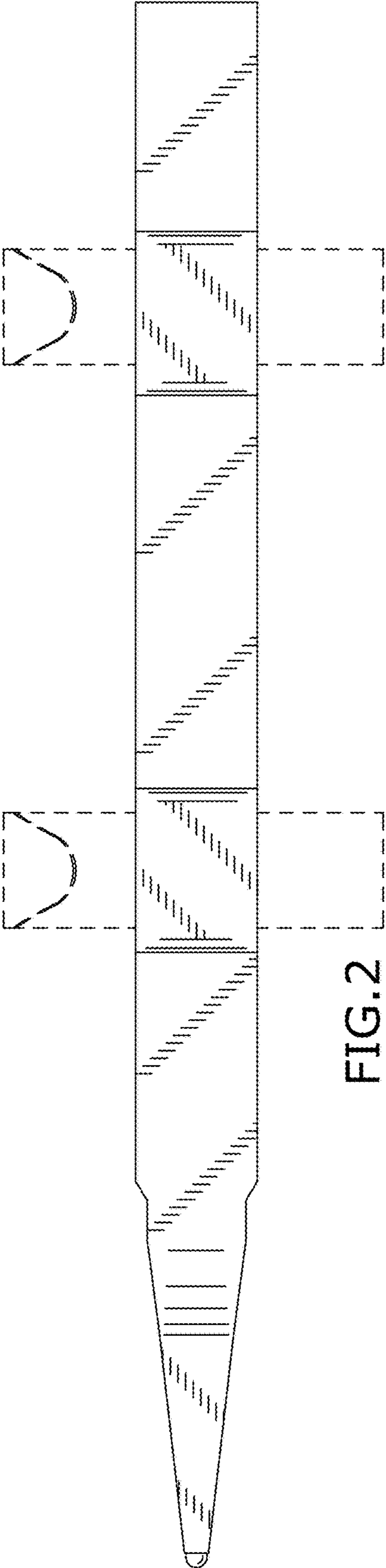


FIG. 2

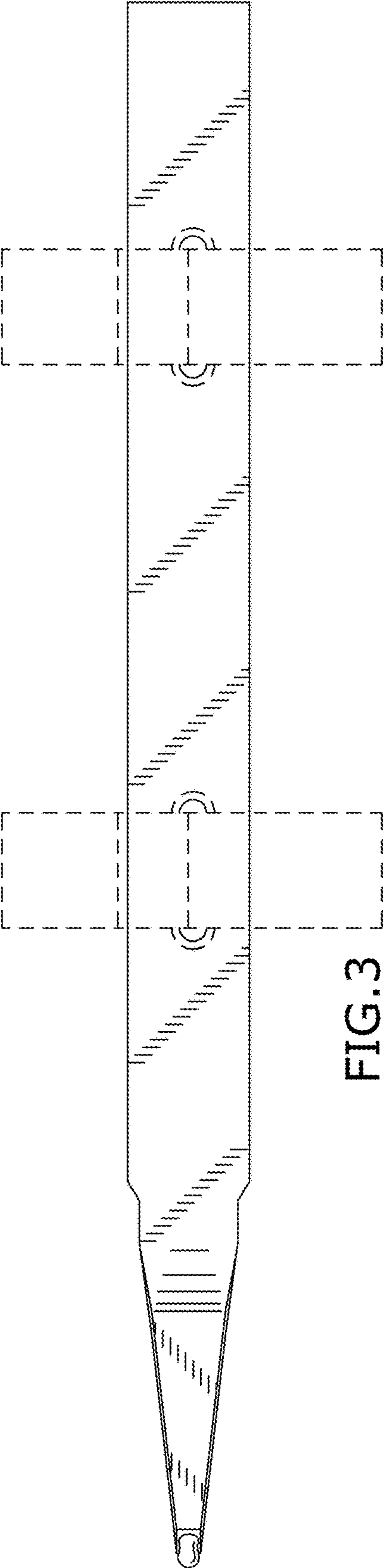


FIG. 3

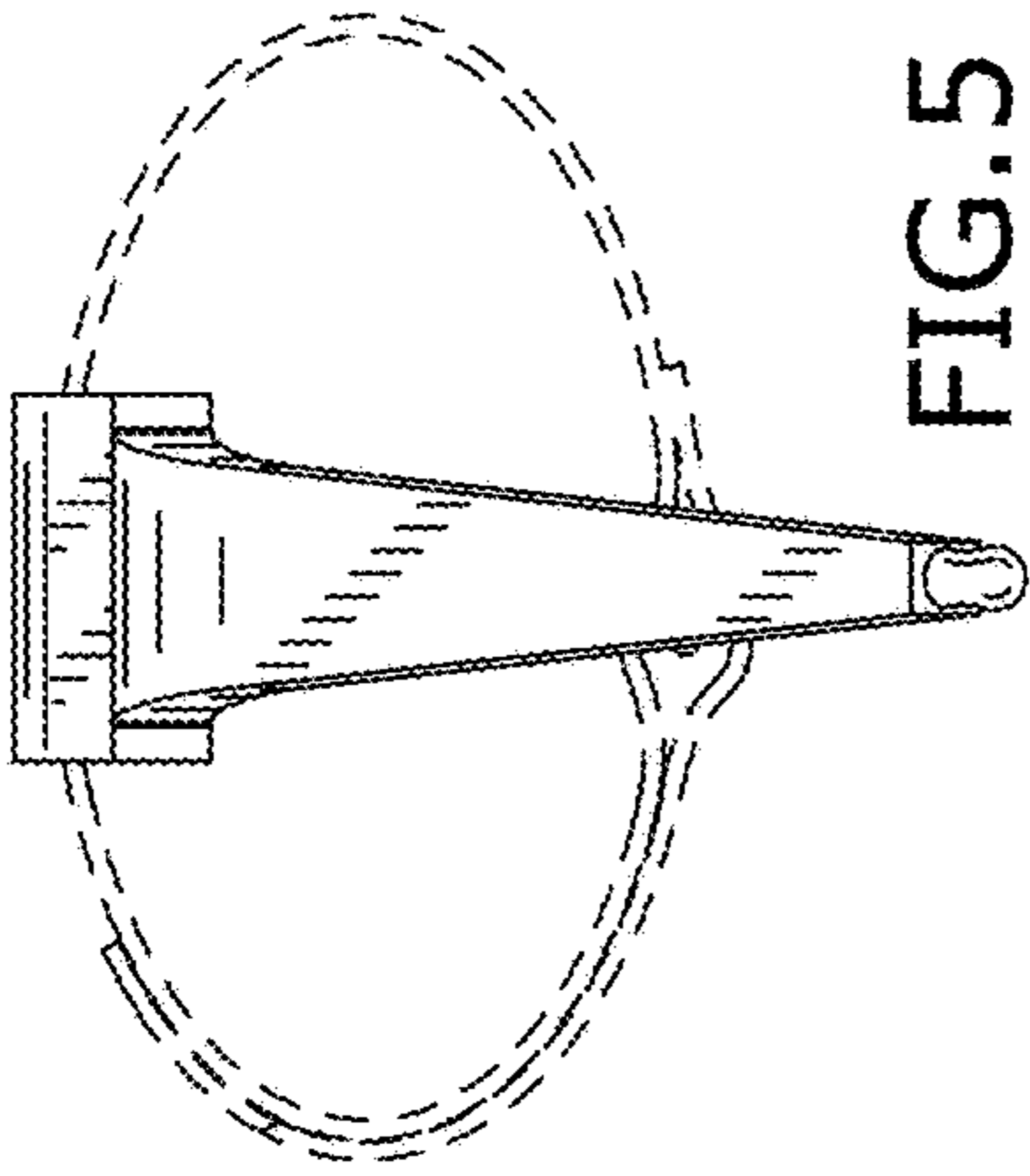


FIG. 5

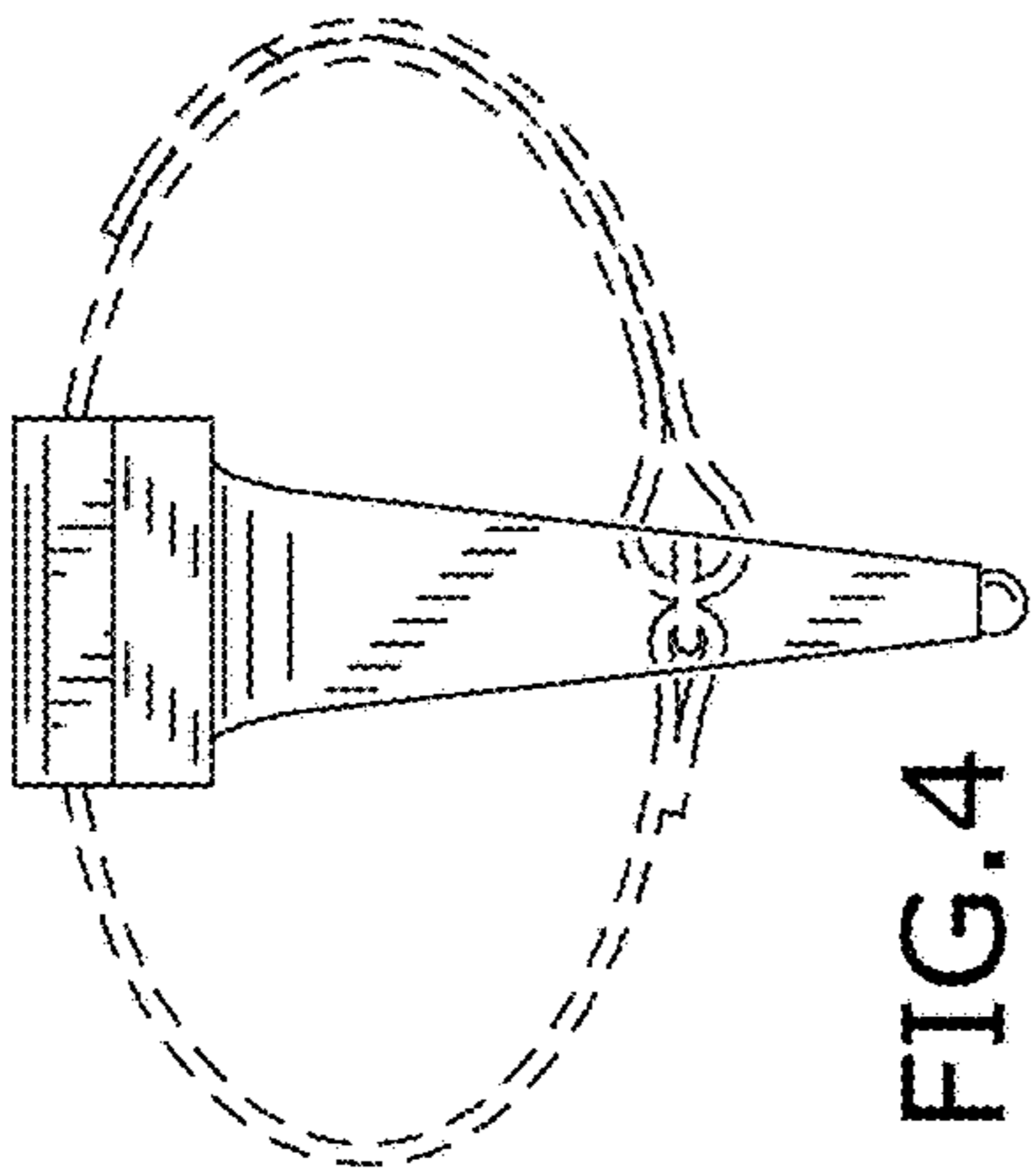


FIG. 4

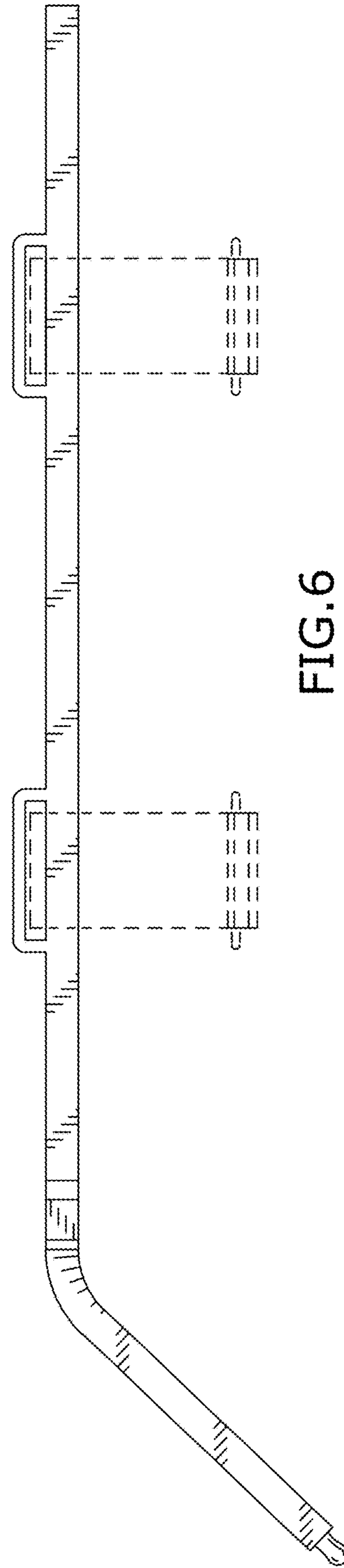


FIG. 6