



US00D787517S

(12) **United States Design Patent**  
**Chou et al.**

(10) **Patent No.:** **US D787,517 S**

(45) **Date of Patent:** **\*\* May 23, 2017**

(54) **KEYBOARD**

(71) Applicant: **Acer Incorporated**, New Taipei (TW)

(72) Inventors: **Yun-Ju Chou**, New Taipei (TW);  
**Ker-Wei Lin**, New Taipei (TW)

(73) Assignee: **Acer Incorporated**, New Taipei (TW)

(\*\*) Term: **15 Years**

(21) Appl. No.: **29/551,613**

(22) Filed: **Jan. 14, 2016**

(30) **Foreign Application Priority Data**

Oct. 27, 2015 (TW) ..... 104306007

(51) **LOC (10) Cl.** ..... **14-02**

(52) **U.S. Cl.**  
USPC ..... **D14/391**

(58) **Field of Classification Search**  
USPC ..... D14/240, 138, 341, 391-399, 443, 455,  
D14/456, 315, 318, 434; D18/1, 2, 7, 11;  
178/17 A, 17 C; 200/5 A, 5 R, 6 A, 6 R;  
235/145 A, 145 R; 341/20-23; 345/156,  
345/160, 168, 169, 173; 361/679.08,  
361/679.09, 679.11-679.19;  
400/484-489, 492, 472  
CPC ..... G06F 1/16; G06F 1/1616; G06F 1/162;  
G06F 1/1601; G06F 1/1626; G06F  
3/0202; G06F 1/1632; G06F 1/1654;  
G09B 13/04; H03M 11/00; H03K 17/94;  
H05K 5/00; H01H 3/125; H01H 13/705;  
B41J 5/08

See application file for complete search history.

(56) **References Cited**

**U.S. PATENT DOCUMENTS**

D730,363 S \* 5/2015 Park ..... D14/455  
D734,757 S \* 7/2015 Myung ..... D14/392

2011/0292584 A1\* 12/2011 Hung ..... G06F 1/1632  
361/679.26  
2013/0163187 A1\* 6/2013 Wang ..... G06F 1/1632  
361/679.41  
2013/0170126 A1\* 7/2013 Lee ..... G06F 1/1654  
361/679.17  
2013/0335914 A1\* 12/2013 Lee ..... G06F 1/1632  
361/679.41

\* cited by examiner

*Primary Examiner* — Freda S Nunn

(74) *Attorney, Agent, or Firm* — Jianq Chyun IP Office

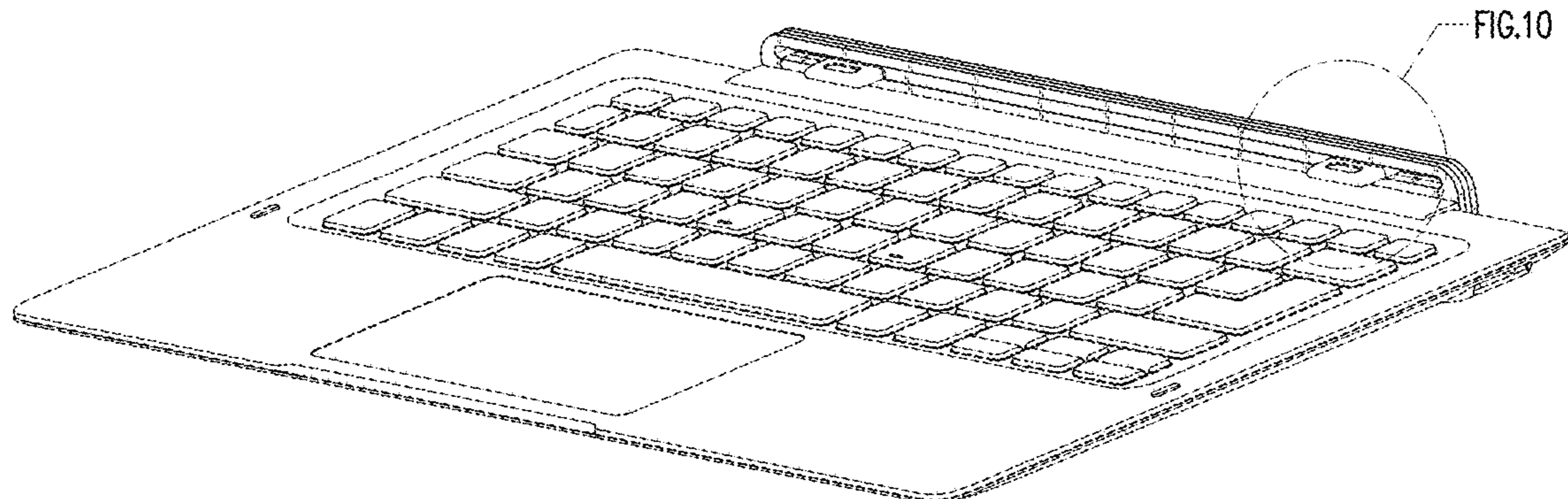
(57) **CLAIM**

The ornamental design for a keyboard, as shown and described.

**DESCRIPTION**

FIG. 1 is a perspective view of a keyboard showing our new design;  
FIG. 2 is a rear perspective view thereof;  
FIG. 3 is a rear perspective view thereof;  
FIG. 4 is a front view thereof;  
FIG. 5 is a rear view thereof;  
FIG. 6 is a left side view thereof;  
FIG. 7 is a right side view thereof;  
FIG. 8 is a top view thereof;  
FIG. 9 is a bottom view thereof;  
FIG. 10 is an enlarged view of an indicated portion of FIG. 1;  
FIG. 11 is an enlarged view of an indicated portion of FIG. 3;  
FIG. 12 is an enlarged view of an indicated portion of FIG. 3; and,  
FIG. 13 is a rear perspective view thereof showing a state that a connecting member is rotated and has not been connected to a screen.  
The dot-dashed broken lines represent a boundary of the keyboard and form no part of the claimed design, all of the remaining broken lines represent environment only and form no part of the claimed design.

**1 Claim, 11 Drawing Sheets**



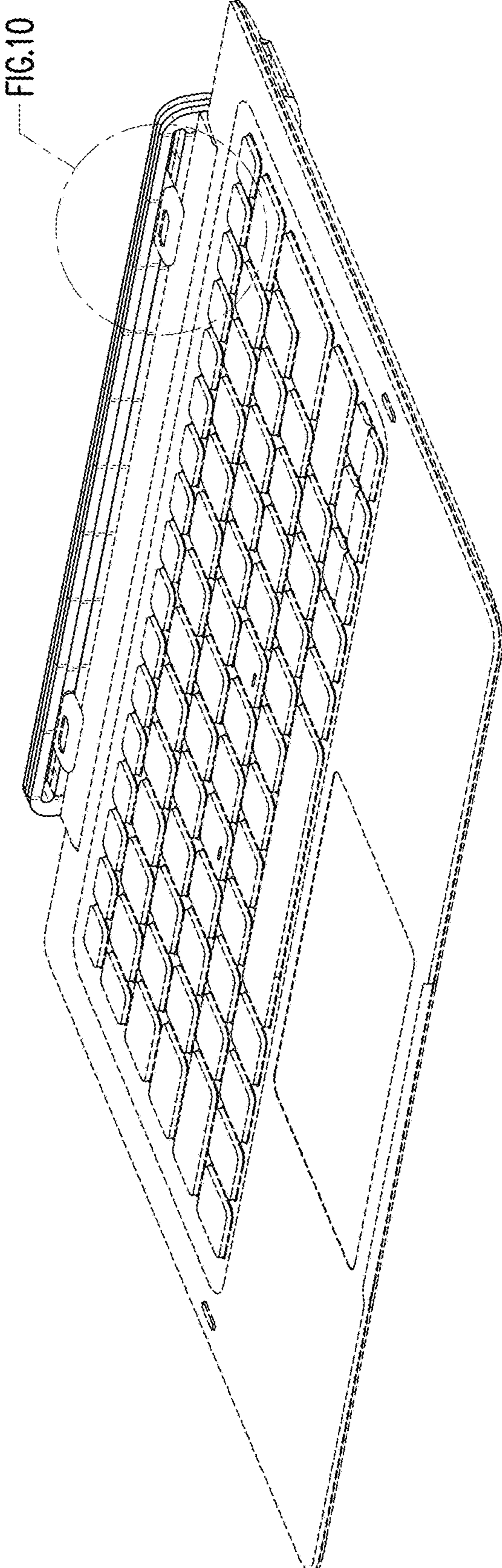


FIG. 1

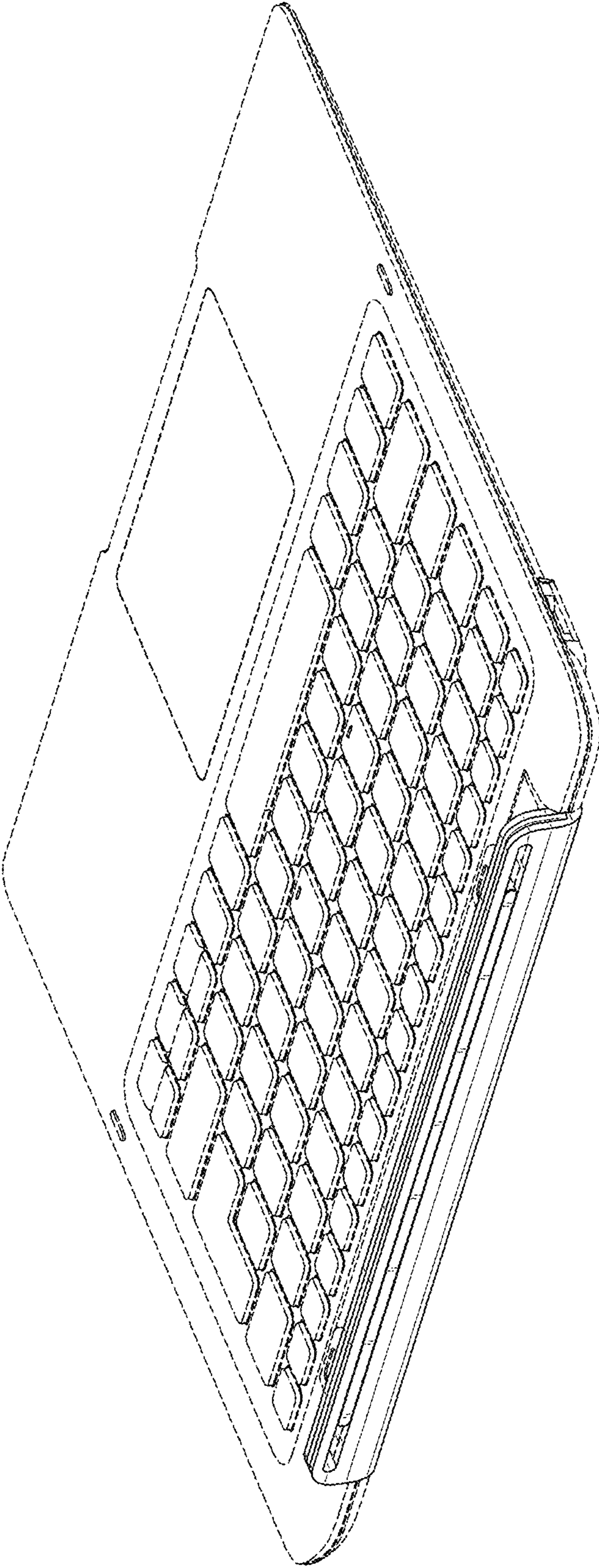


FIG. 2

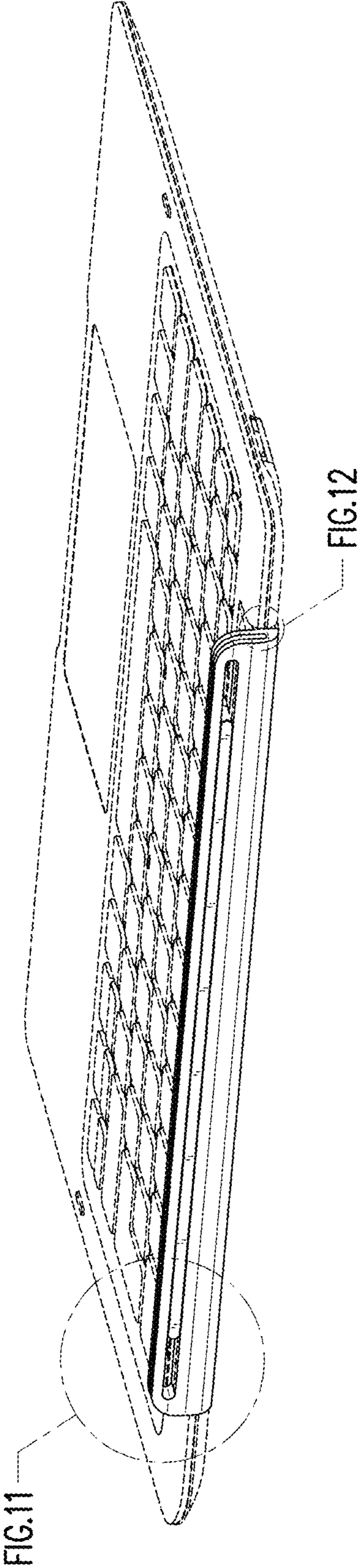


FIG. 3

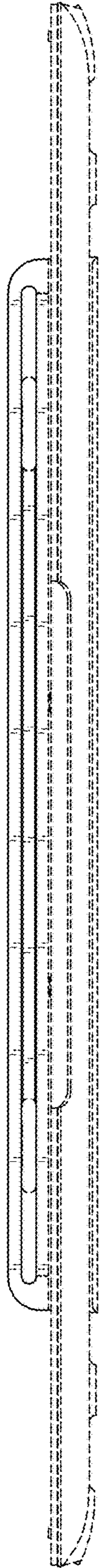


FIG. 4

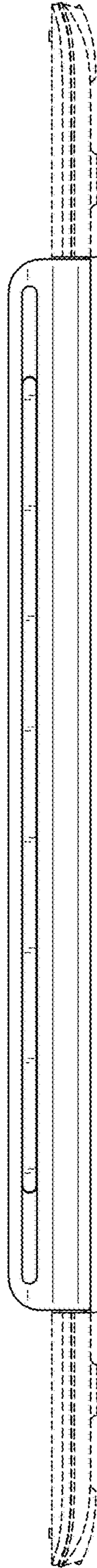


FIG. 5

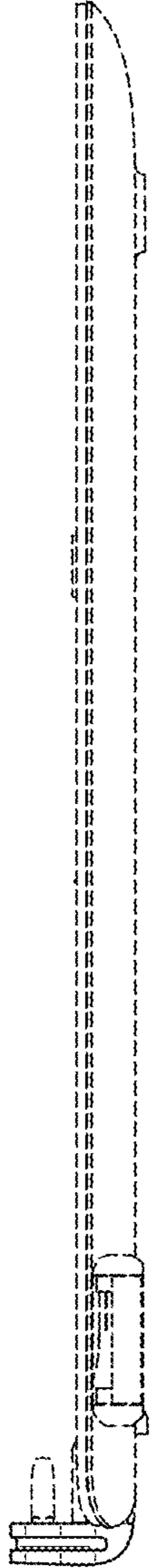


FIG. 6

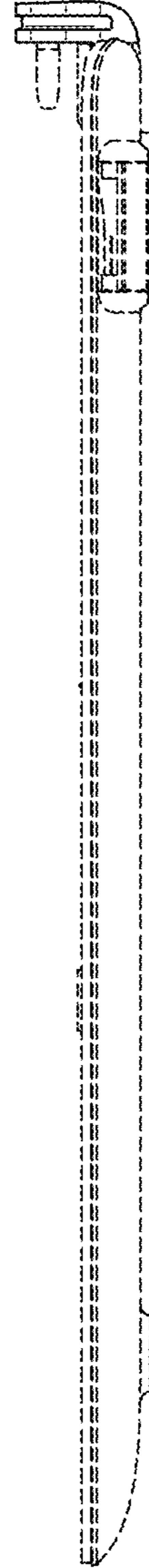


FIG. 7

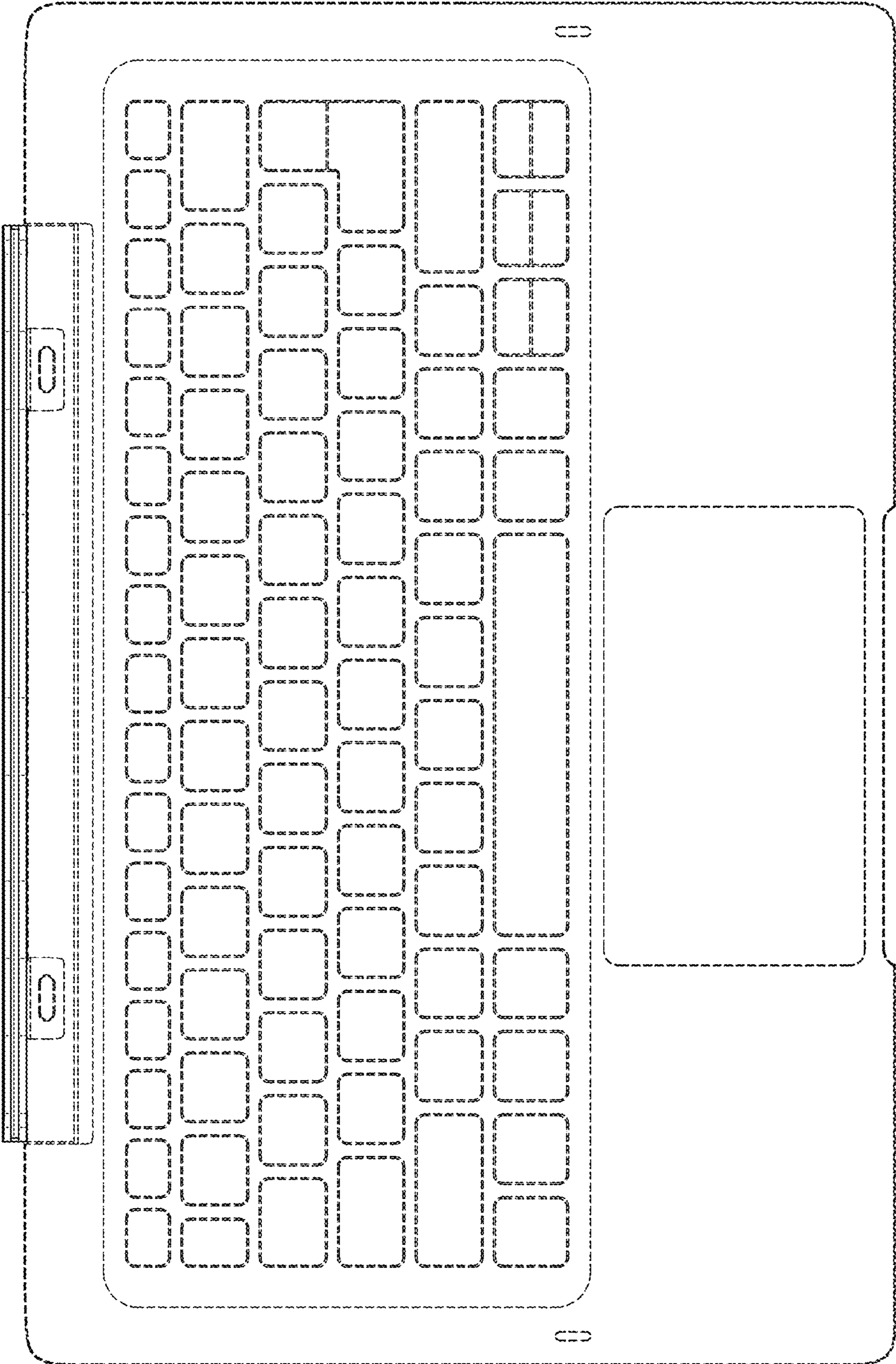


FIG. 8

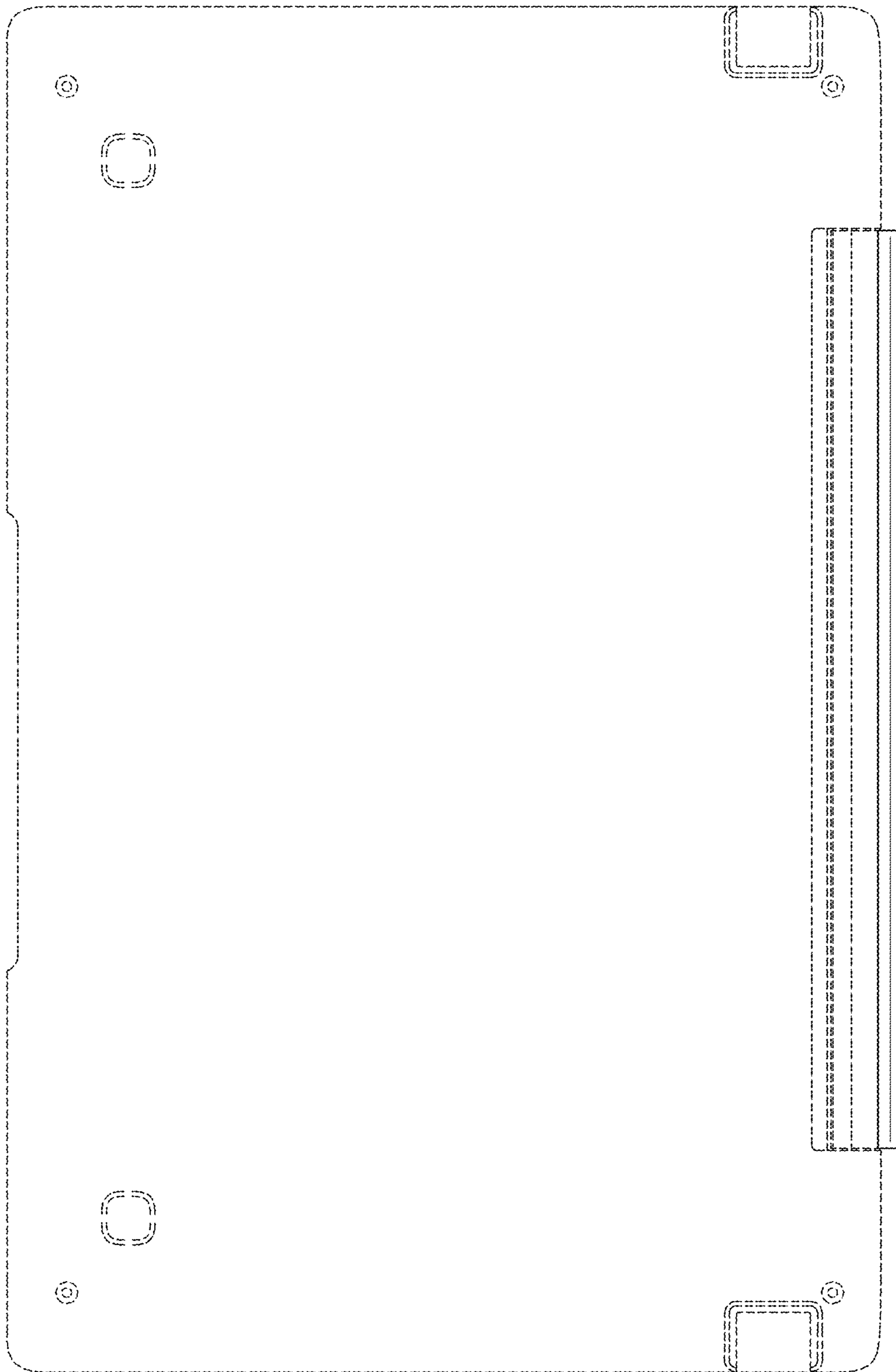


FIG. 9



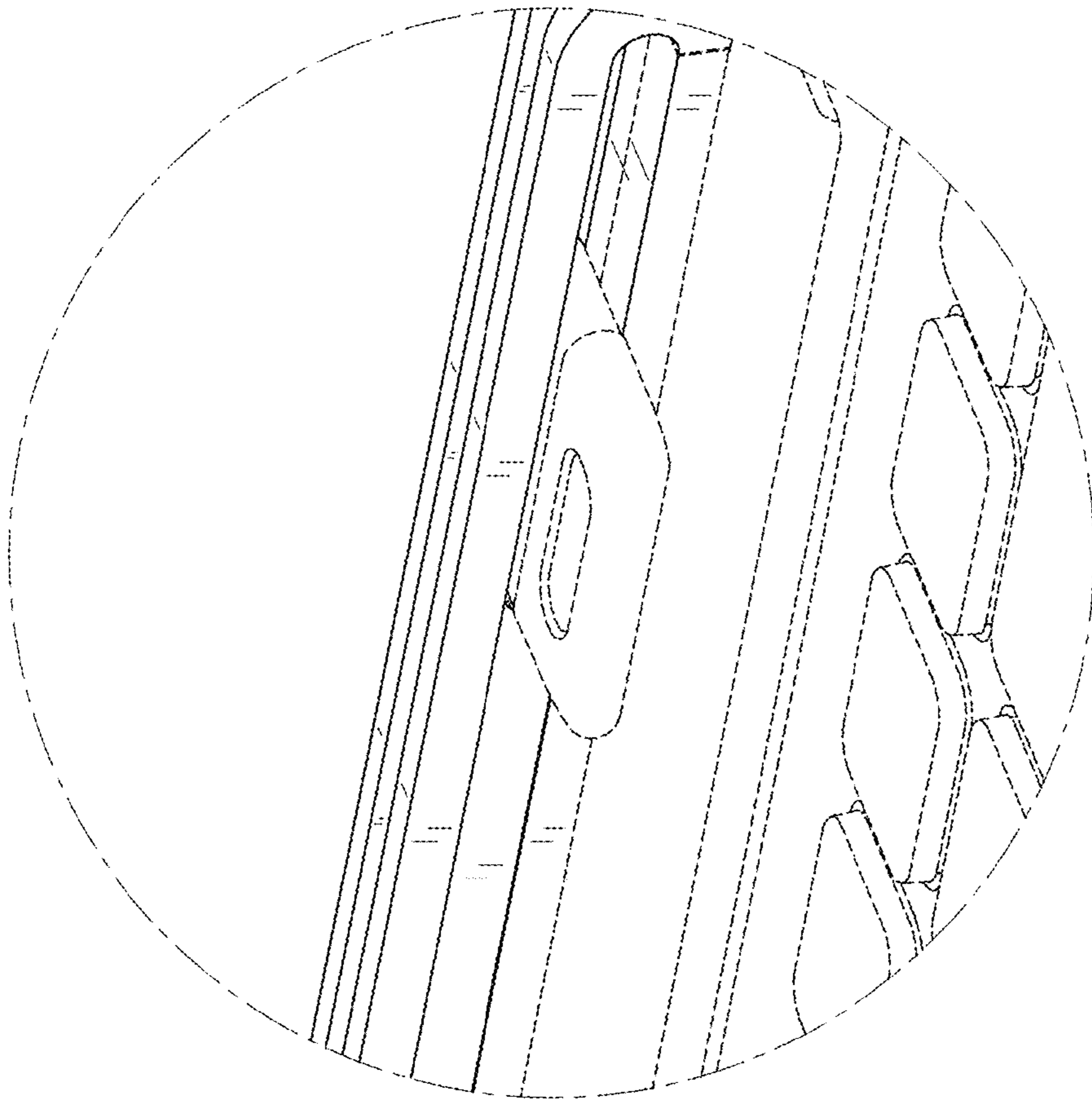


FIG. 10

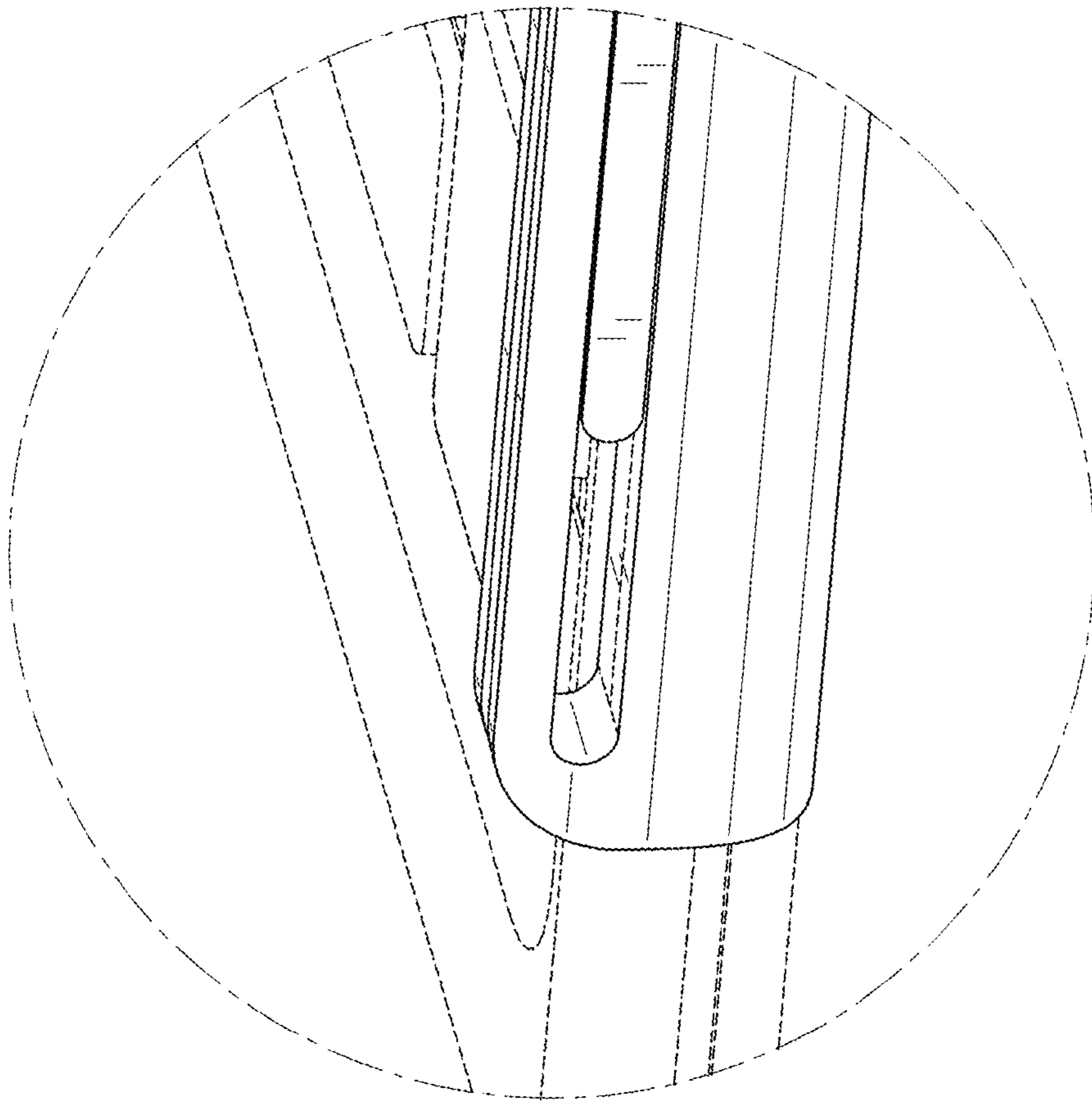


FIG. 11

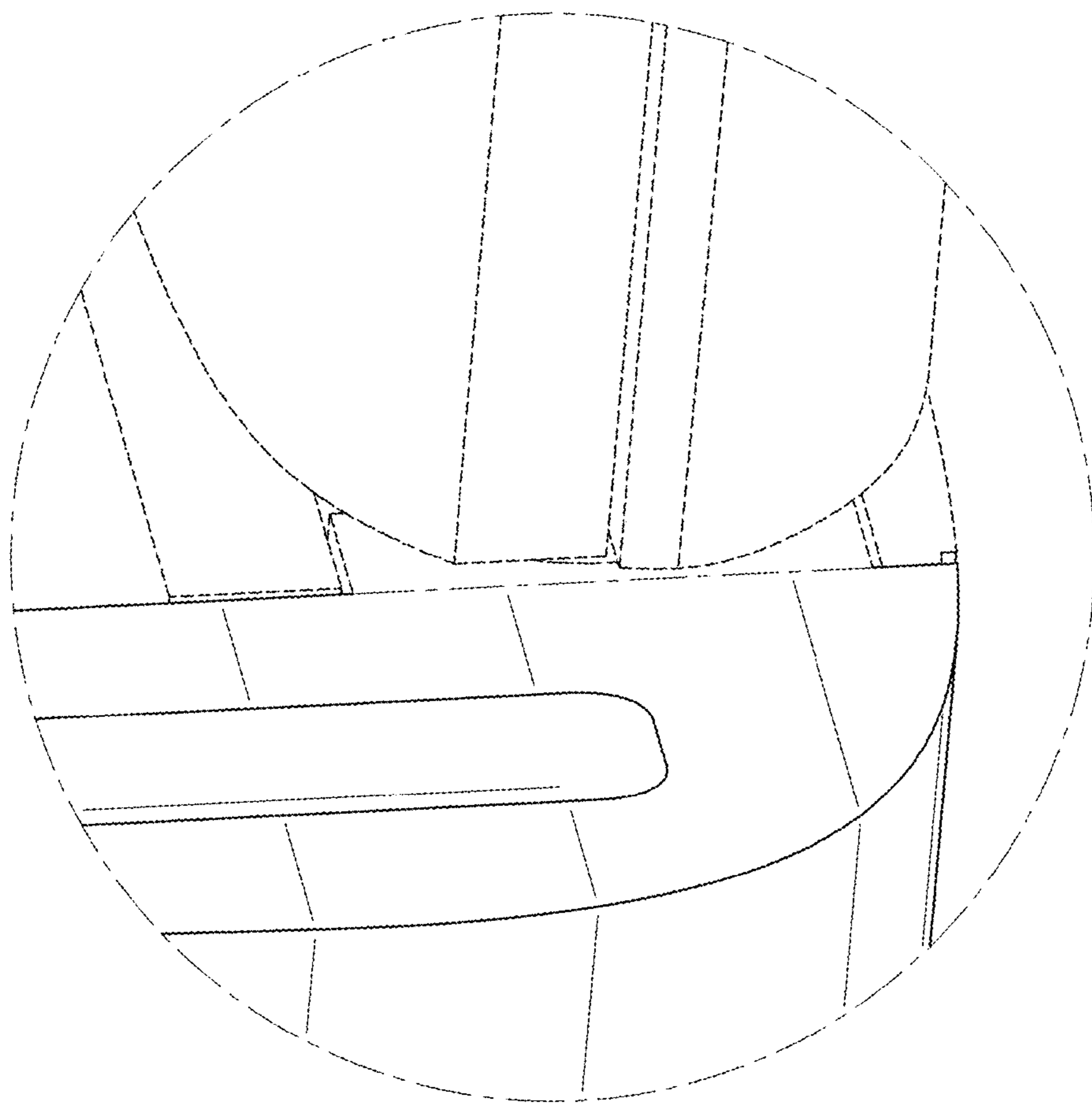


FIG. 12

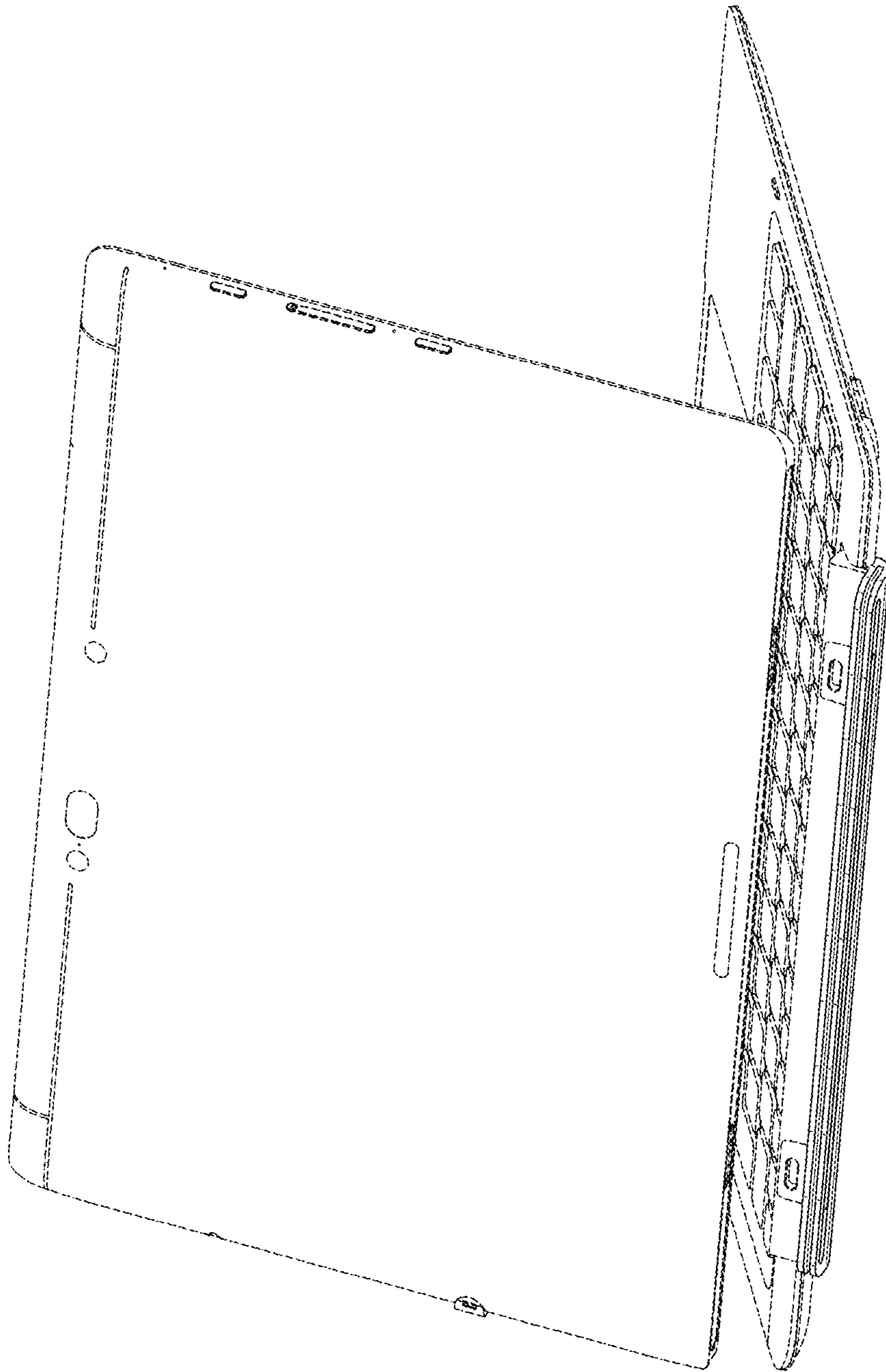


FIG. 13