



US00D787516S

(12) **United States Design Patent**
Goetgeluk

(10) **Patent No.:** **US D787,516 S**
(45) **Date of Patent:** **** May 23, 2017**

(54) **OMNIDIRECTIONAL LOCOMOTION PLATFORM**

FOREIGN PATENT DOCUMENTS

HU WO 2010089618 A2 * 8/2010 A63B 69/0035

(71) Applicant: **Virtuix Holdings Inc.**, Austin, TX (US)

OTHER PUBLICATIONS

(72) Inventor: **Jan Goetgeluk**, Houston, TX (US)

virtuix-omni-treadmill-controller.jpg. gajitz.com. [online] 1 page
Uploaded Mar. 4, 2013 [retrieved on Feb. 11, 2016]. <http://gajitz.com/virtual-reality-gets-realer-motion-based-treadmill-control/>.*

(73) Assignee: **VIRTUIX HOLDINGS, INC.**, Austin, TX (US)

(**) Term: **15 Years**

(Continued)

(21) Appl. No.: **29/563,271**

Primary Examiner — Susan Bennett Hattan

(22) Filed: **May 3, 2016**

Assistant Examiner — Marie Fast Horse

(74) *Attorney, Agent, or Firm* — Polsinelli PC

Related U.S. Application Data

(63) Continuation of application No. 29/488,951, filed on Apr. 24, 2014, now Pat. No. Des. 766,239, which is (Continued)

(57) **CLAIM**

(51) **LOC (10) Cl.** **14-02**

I claim the ornamental design for an omnidirectional locomotion platform, as shown and described.

(52) **U.S. Cl.**

USPC **D14/388**; D21/324; D21/669; D21/828; D41/356

(58) **Field of Classification Search**

DESCRIPTION

USPC D14/419, 356, 388, 389, 399, 400, 402, D14/408, 432, 433, 439, 454, 299, 218, D14/496, 511; D21/324, 333, 669, 671, D21/686-691, 694, 811, 828; D13/164; D25/62, 66; D34/28; 463/7; 482/51, 61; D10/87, 88, 91, 92, 93

FIG. 1 is a perspective view of an omnidirectional locomotion platform;
FIG. 2 is a left side elevational view thereof;
FIG. 3 is a right side elevational view thereof;
FIG. 4 is a rear elevational view thereof;
FIG. 5 is a front elevational view thereof;
FIG. 6 is a top plan view thereof;
FIG. 7 is a bottom plan view thereof;
FIG. 8 is a cross-sectional view thereof taken along axis 8-8 from FIG. 6; and,
FIG. 9 is a cross-sectional view thereof taken along axis 9-9 from FIG. 6.

CPC A63B 2024/0096; A63B 2069/0037; A63B 2225/093; A63B 2225/50; A63B 2210/50; A63B 2220/10; A63B 2220/12; A63B

(Continued)

(56) **References Cited**

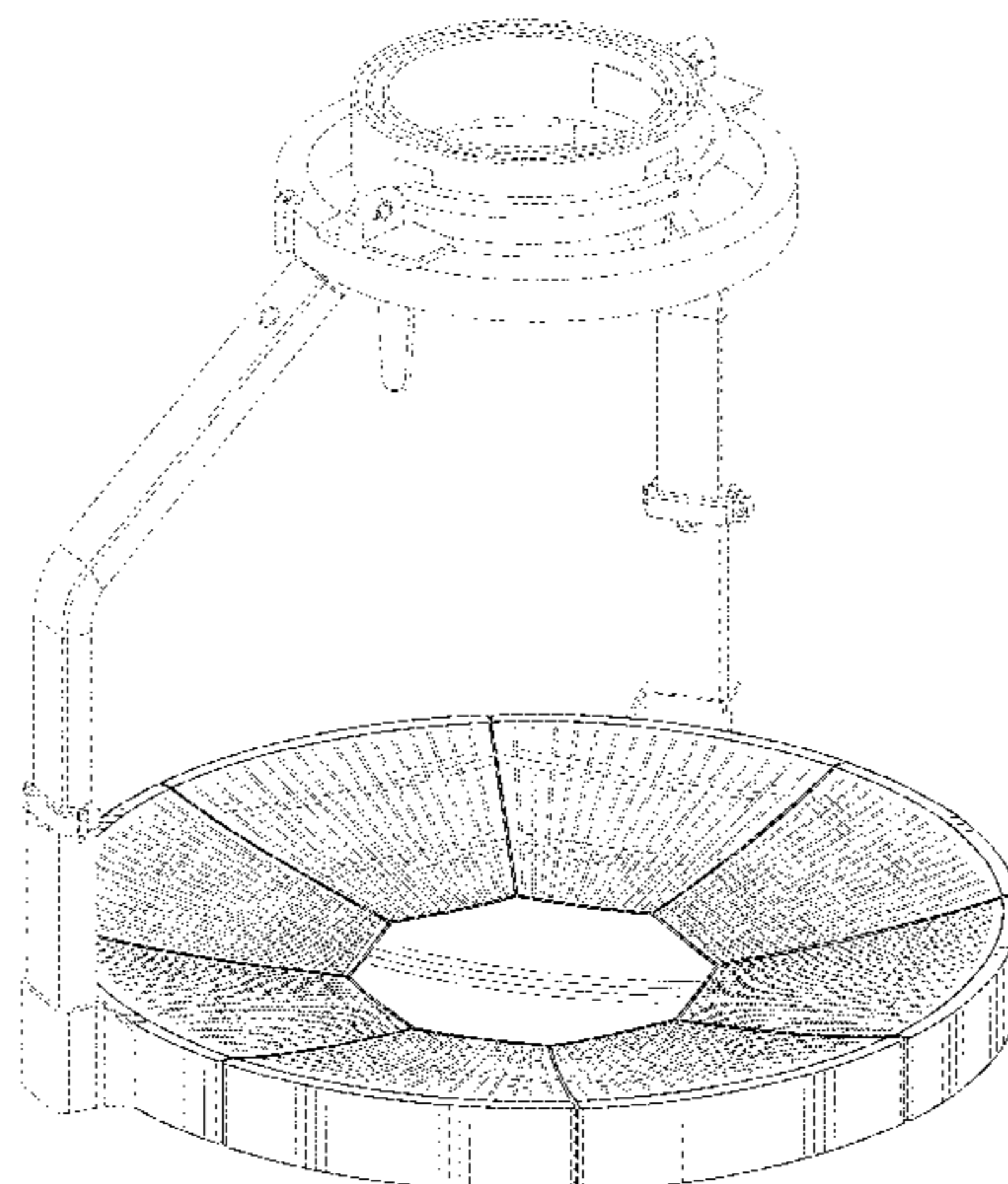
U.S. PATENT DOCUMENTS

2,351,293 A * 6/1944 Saunders A63B 22/14 248/349.1
4,279,043 A * 7/1981 Saunders A61G 7/1038 280/87.041

Broken lines are used to illustrate unclaimed portions of the omnidirectional locomotion platform; broken lines form no part of the claimed design.

(Continued)

1 Claim, 9 Drawing Sheets



Related U.S. Application Data

a continuation of application No. 14/062,625, filed on Oct. 24, 2013, now Pat. No. 9,329,681.

(58) **Field of Classification Search**

CPC .. 2220/40; A63B 2220/805; A63B 2071/0638; A63B 2208/12; A63B 21/0023; A63F 2300/8082; G06F 2203/012; G06F 3/011; G06F 3/016; G06F 3/0334; G06F 3/0383; A61G 7/1038; A61G 7/1046; A61G 7/1076

See application file for complete search history.

(56) **References Cited**

U.S. PATENT DOCUMENTS

5,149,043 A * 9/1992 Grundmann A47B 11/00
108/139
D345,473 S * 3/1994 Grundmann D15/140
D351,026 S * 9/1994 Madera D24/183
D355,660 S * 2/1995 Holmes D14/299
D358,436 S * 5/1995 Piaget D21/669
D363,067 S * 10/1995 Holmes D14/356
5,846,134 A * 12/1998 Latypov A63B 19/04
434/307 R
D422,325 S * 4/2000 Broudy D21/689
D437,619 S * 2/2001 Nishimura D21/333
D444,573 S * 7/2001 Owens D25/62
D479,860 S * 9/2003 Lim D14/217
D517,437 S * 3/2006 Barmes D10/91
D519,569 S * 4/2006 Kiyono D21/333
D563,813 S * 3/2008 Tomita D10/92
D595,171 S * 6/2009 Robinson D10/91
D614,056 S * 4/2010 Ulrich D10/92
D615,436 S * 5/2010 Einfalt D10/92
D651,258 S * 12/2011 Rivard D21/333
D660,928 S * 5/2012 Guarrasi D21/686
8,512,142 B2 * 8/2013 Meldeau A63B 23/0458
463/36
D699,137 S * 2/2014 Wurts D10/91
D713,466 S * 9/2014 Otero D21/324
D738,444 S * 9/2015 Hilson D21/662
D742,972 S * 11/2015 Corrigan D21/324
9,358,422 B2 * 6/2016 Brontman A63B 22/0023
D766,239 S * 9/2016 Goetgeluk D14/388
2004/0242390 A1 * 12/2004 Williams A63B 23/0464
482/146
2005/0060801 A1 * 3/2005 Hahn A61G 7/1038
5/81.1 R
2005/0156878 A1 * 7/2005 Logue G06F 3/011
345/156

2006/0139317 A1 * 6/2006 Leu G06F 3/011
345/156
2007/0109259 A1 * 5/2007 Liu G06F 3/011
345/156
2008/0280740 A1 * 11/2008 Knecht A61B 3/113
482/146
2008/0284725 A1 * 11/2008 Logue G06F 3/011
345/156
2009/0111670 A1 * 4/2009 Williams A63B 23/0464
482/146
2010/0103093 A1 * 4/2010 Izumi G06F 3/0334
345/156
2011/0009241 A1 * 1/2011 Lane A63B 24/0087
482/8
2011/0105288 A1 * 5/2011 Susnjara A63B 21/0004
482/142
2013/0237378 A1 * 9/2013 Carrell A63C 17/061
482/51
2014/0111424 A1 * 4/2014 Goetgeluk G06F 3/011
345/156
2015/0092015 A1 * 4/2015 Stafford H04N 13/025
348/46
2015/0190713 A1 * 7/2015 Goetgeluk A63F 13/40
345/156
2016/0035228 A1 * 2/2016 Cakmak A63B 21/4009
434/247
2016/0328028 A1 * 11/2016 Khojasteh G06F 3/0334

OTHER PUBLICATIONS

Interview With the Creator of the Virtuix Omni. babysoftmurderhands.com [online] p. 4 of 5. Uploaded Mar. 4, 2013 [retrieved on Feb. 11, 2016]. <http://babysoftmurderhands.com/2013/03/vr-interview-with-the-creator-of-the-virtuix-omni>.
Wizdish Locomotion Platform Kinect Virtual Reality in the home demo. Youtube.com. [online video] 1 page Uploaded Jan. 29, 2012 [retrieved on Feb. 11, 2016]. <https://www.youtube.com/watch?v=1zc6KXdpmaQ>.
VR Treadmills and Platforms. (Design -©Questel). orbit.com [online PDF] 35 pages. Publish dates range from: Jul. 1, 2015 to Sep. 7, 2016.[retrieved on Jan. 2, 2017]. <https://sobjprd.questel.fr/export/QPTUJ214/pdf2/f45d9f7e-f817-408b-a8bb-43ba576af133-161014.pdf>.
The ultimate Battlefield 3 simulator has been created. geek.com. [online] 2 pages Uploaded Oct. 31, 2011 [retrieved on Feb. 11, 2016]. [/the-ultimate-battlefield-3-simulator-has-been-created-1435731/](http://www.geek.com/the-ultimate-battlefield-3-simulator-has-been-created-1435731/).
Omni treadmill concept. mtbs3d.com [online] 4 pages Posted May 29, 2013 [retrieved on Feb. 11, 2016] <http://www.mtbs3d.com/phpbb/viewtopic.php?f=138&t=17696>.

* cited by examiner

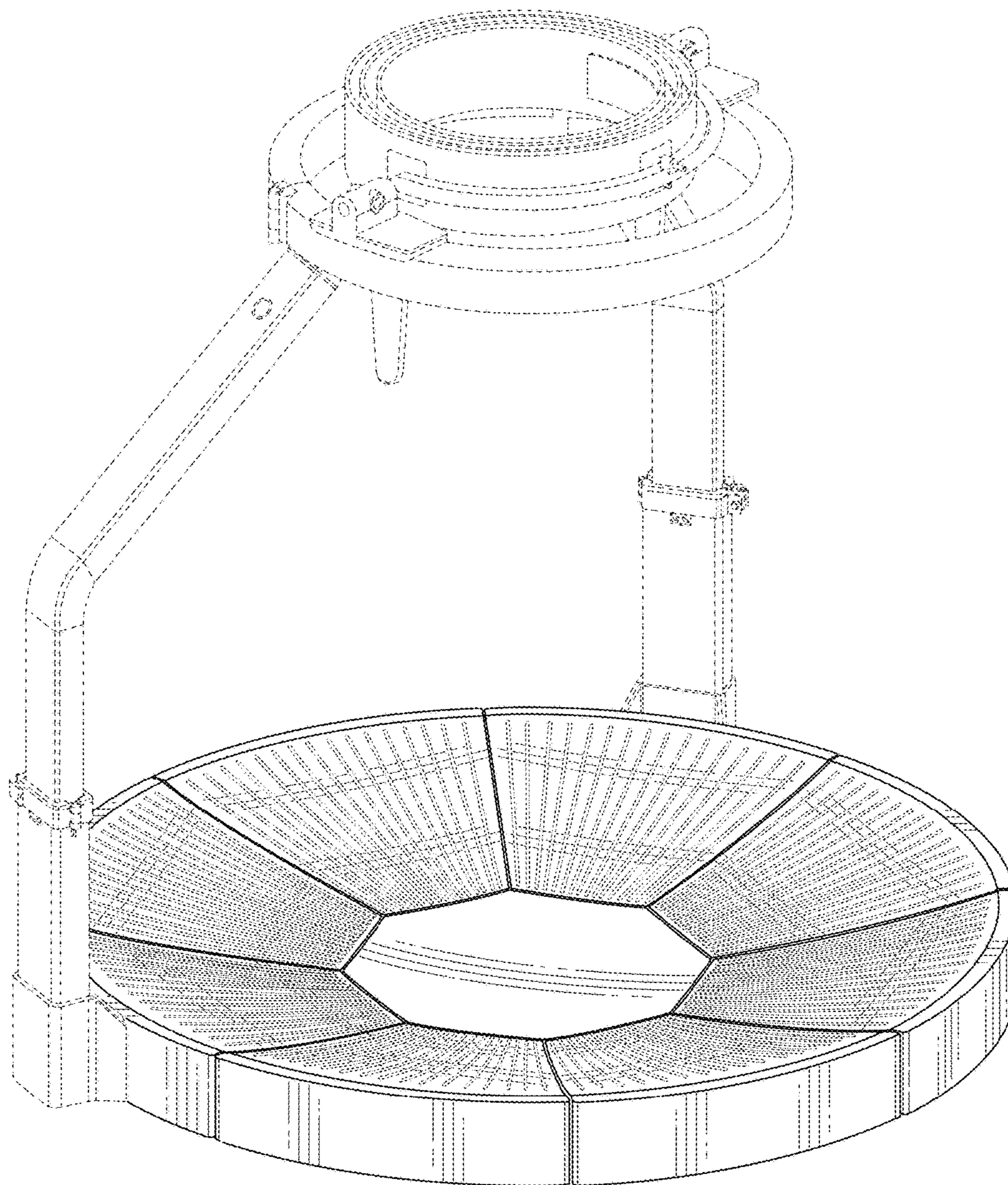


FIG. 1

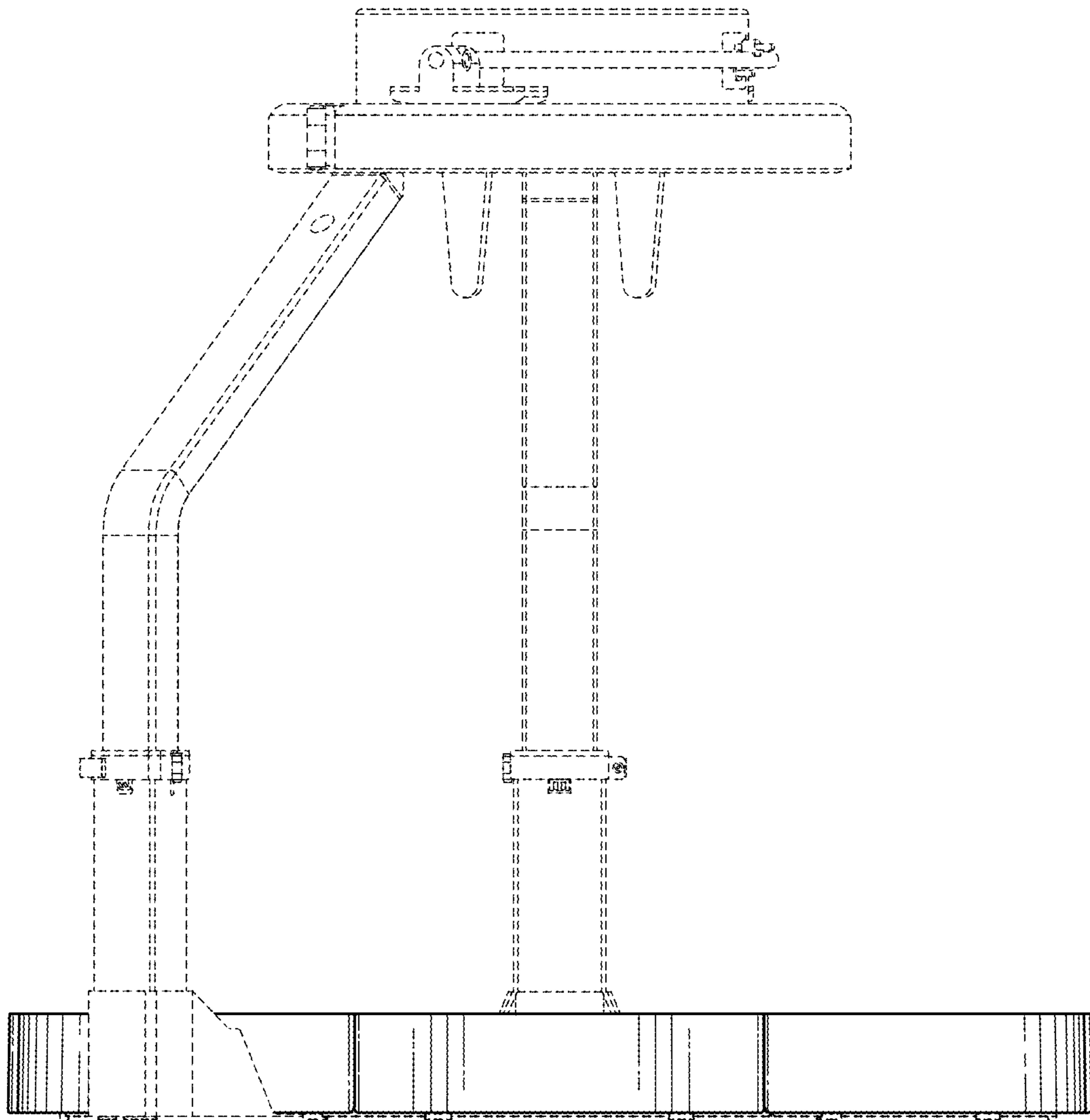


FIG. 2

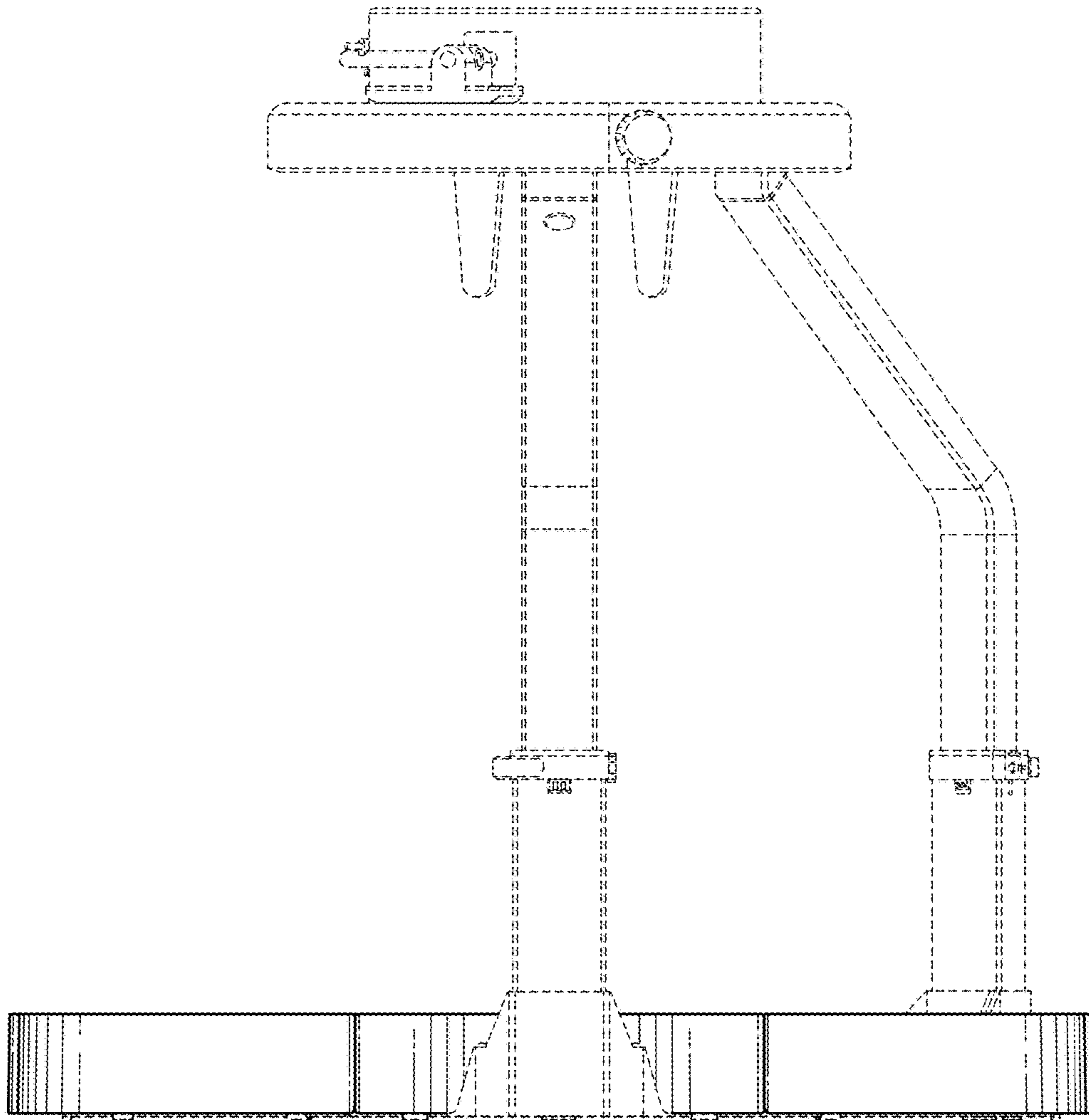


FIG. 3

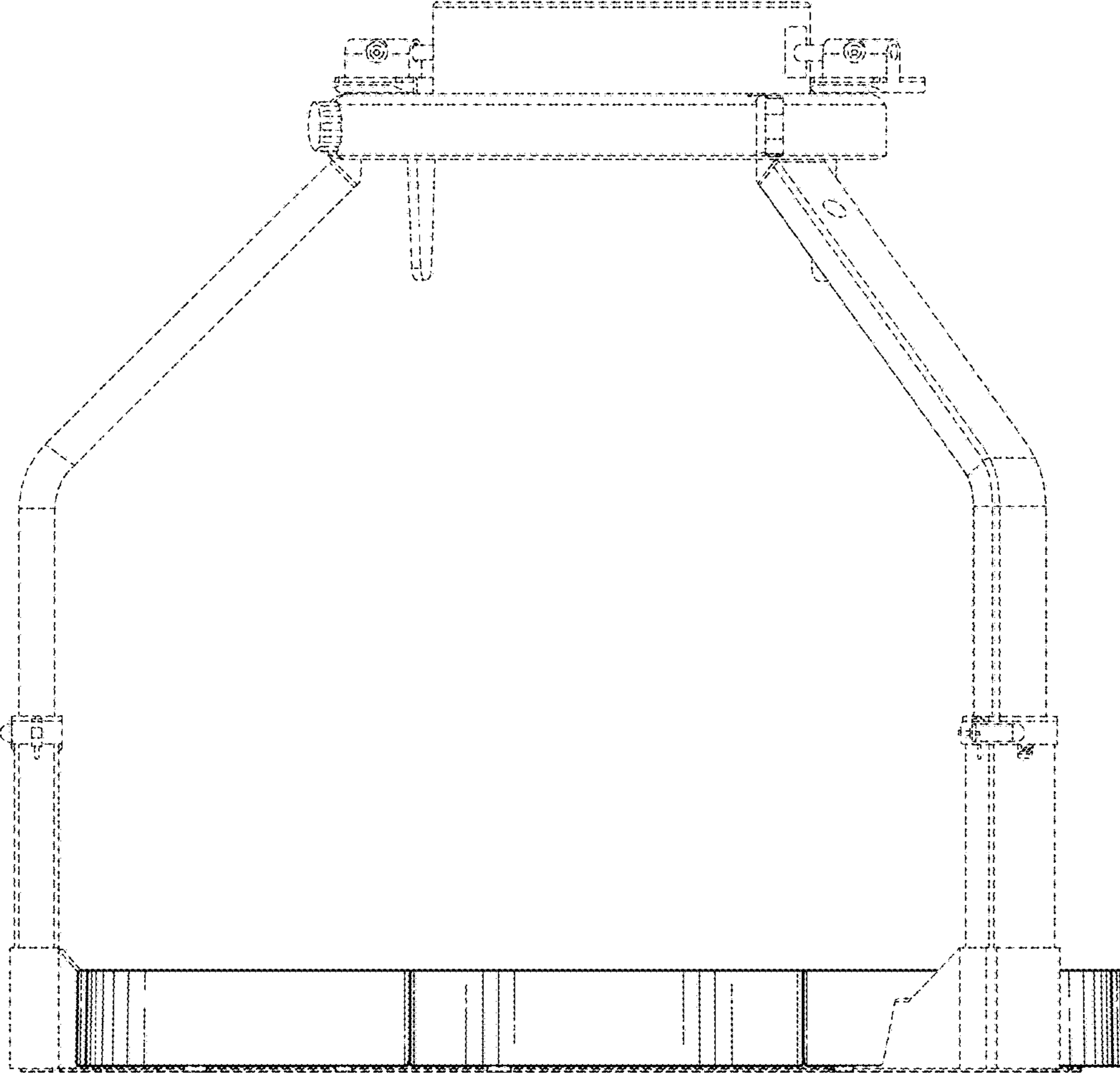


FIG. 4

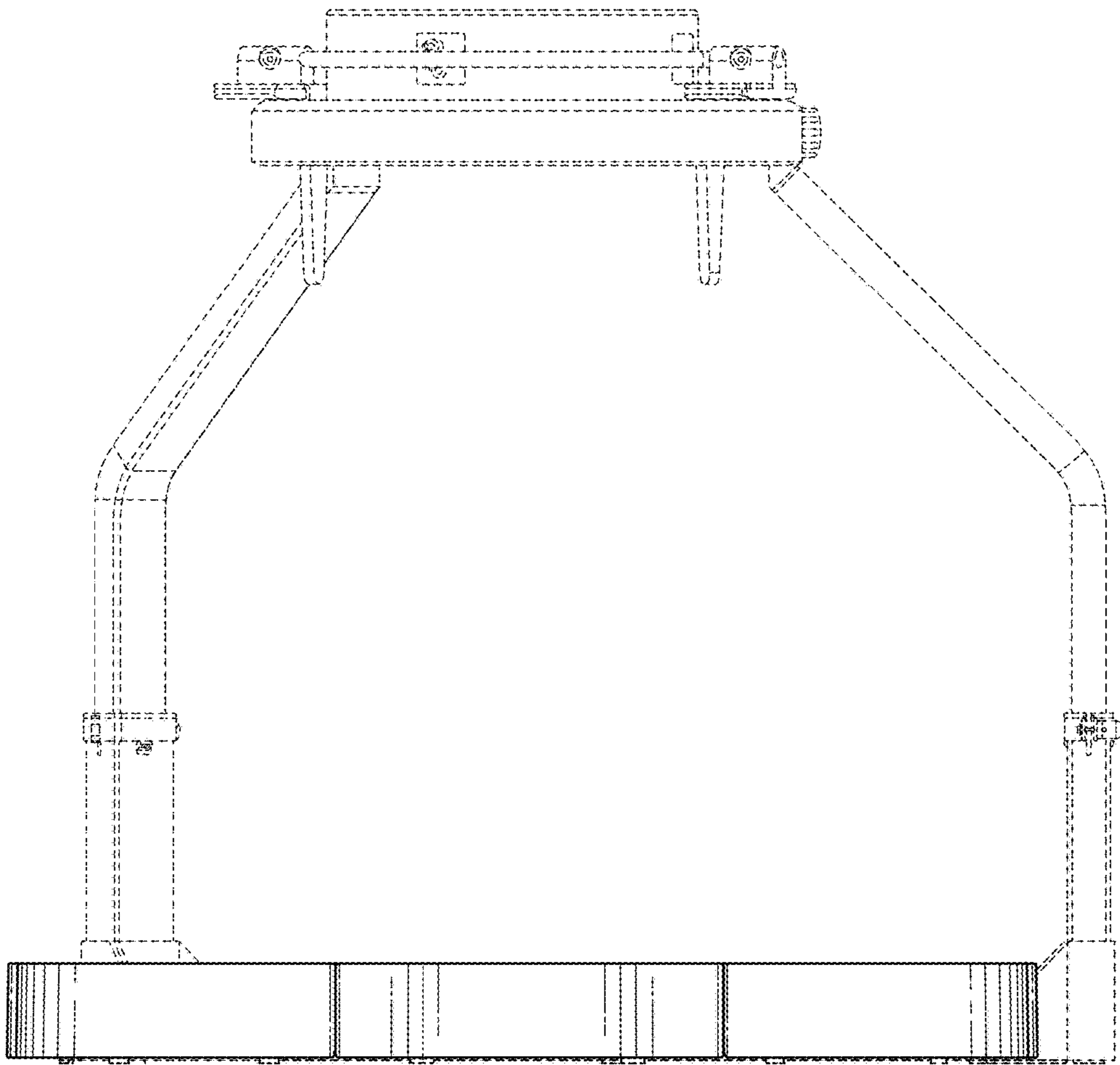


FIG. 5

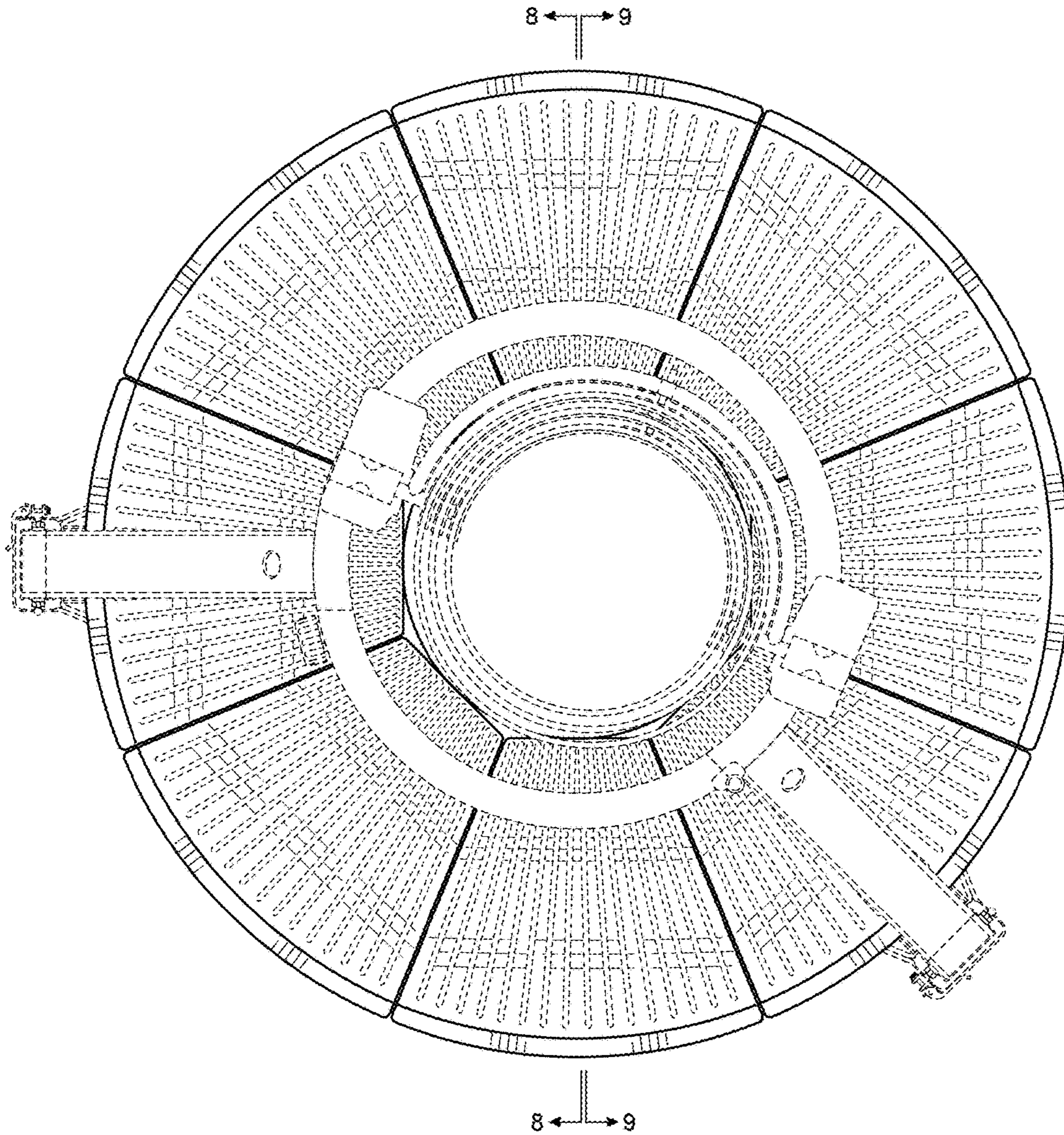


FIG. 6

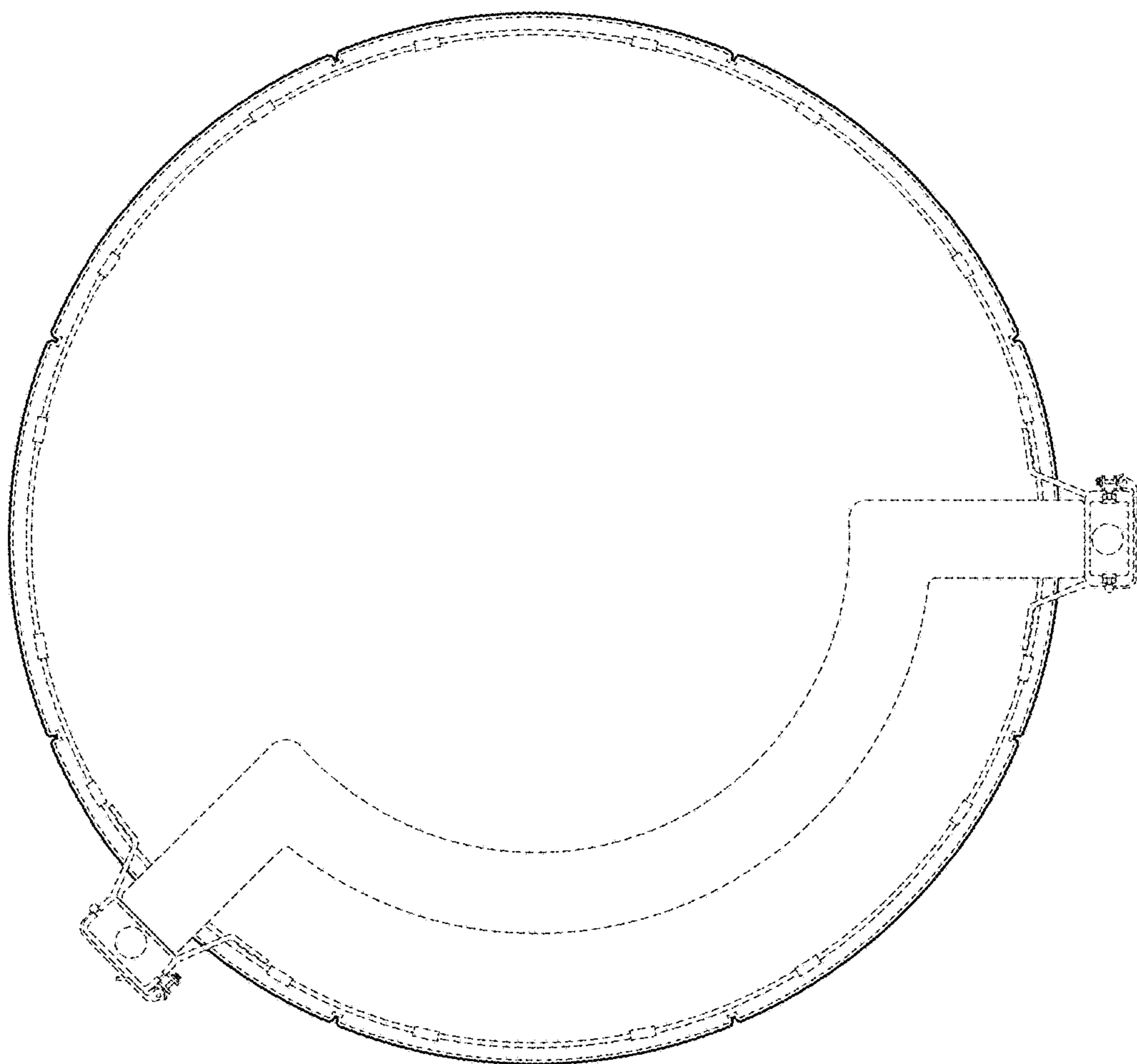


FIG. 7

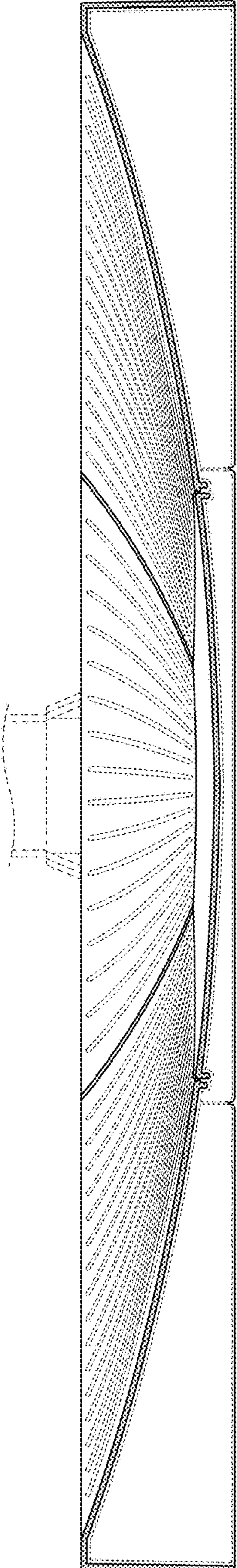


FIG. 8

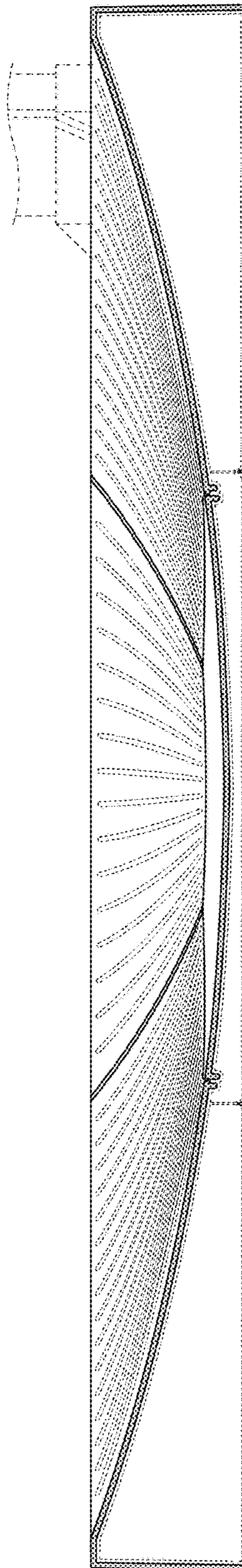


FIG. 9