



US00D787514S

(12) **United States Design Patent** (10) **Patent No.:** **US D787,514 S**
Basil (45) **Date of Patent:** **** May 23, 2017**

(54) **FREE STANDING CLOUD CHASSIS**

<https://sobjprd.questel.fr/export/QPTUJ214/pdf2/1422130a-e3cb-479e-b885-533f2cd381c8-162939.pdf>*

(71) Applicant: **Keith McKinley Basil**, Norfolk, VA (US)

Primary Examiner — Susan Bennett Hattan

Assistant Examiner — Marie Fast Horse

(72) Inventor: **Keith McKinley Basil**, Norfolk, VA (US)

(74) *Attorney, Agent, or Firm* — Dunlap Bennett & Ludwig PLLC

(**) Term: **15 Years**

(57) **CLAIM**

(21) Appl. No.: **29/549,906**

The ornamental design for a free standing cloud chassis, as shown and described.

(22) Filed: **Dec. 29, 2015**

DESCRIPTION

(51) **LOC (10) Cl.** **14-02**

(52) **U.S. Cl.**

USPC **D14/365**

(58) **Field of Classification Search**

USPC D14/300, 301, 302, 308, 309, 310, 312, D14/313, 314, 329, 348–359, 362, 363, D14/364, 365, 367, 370, 496, 240; D13/103, 107, 108, 119, 123, 158, 162, D13/162.1, 163, 184, 199

CPC G11B 33/04; G11B 33/08; G11B 33/124; G11B 33/126; G11B 33/128; G11B 23/02; G11B 23/023; G11B 23/0236; G11B 23/0313; G11B 23/0316; G11B 17/038; G11B 25/043; G06F 1/181; G06F 1/182; G06F 1/183; G06F 1/187; G06F 1/1632;

(Continued)

FIG. 1 is a front perspective view of a first embodiment of a free standing cloud chassis; FIG. 2 is a front elevation view of FIG. 1; FIG. 3 is a rear elevation view of FIG. 1; FIG. 4 is a left side elevation view of FIG. 1; FIG. 5 is a right side elevation view of FIG. 1; FIG. 6 is a top plan view of FIG. 1; FIG. 7 is a bottom plan view of FIG. 1; FIG. 8 is a front perspective view of a second embodiment of the free standing cloud chassis; FIG. 9 is a front elevation view of FIG. 8; FIG. 10 is a rear elevation view of FIG. 8; FIG. 11 is a left side elevation view of FIG. 8; FIG. 12 is a right side elevation view of FIG. 8; FIG. 13 is a top plan view of FIG. 8; FIG. 14 is a bottom plan view of FIG. 8; and, FIG. 15 is a front perspective view of FIG. 1 shown in use. The broken lines in FIG. 15 showing the four horizontal rectangular brackets and the micro cloud resources unit depict environmental subject matter only and from no part of the claimed design, while the remaining broken lines shown in the drawings depict portions of the free standing cloud chassis that form no part of the claimed design. FIGS. 8-12 are shown with a symbolic break in the article's height. The solid symbolic break lines form no part of the claimed design. The appearance of any portion of the article between the break lines forms no part of the claimed design.

(56) **References Cited**

U.S. PATENT DOCUMENTS

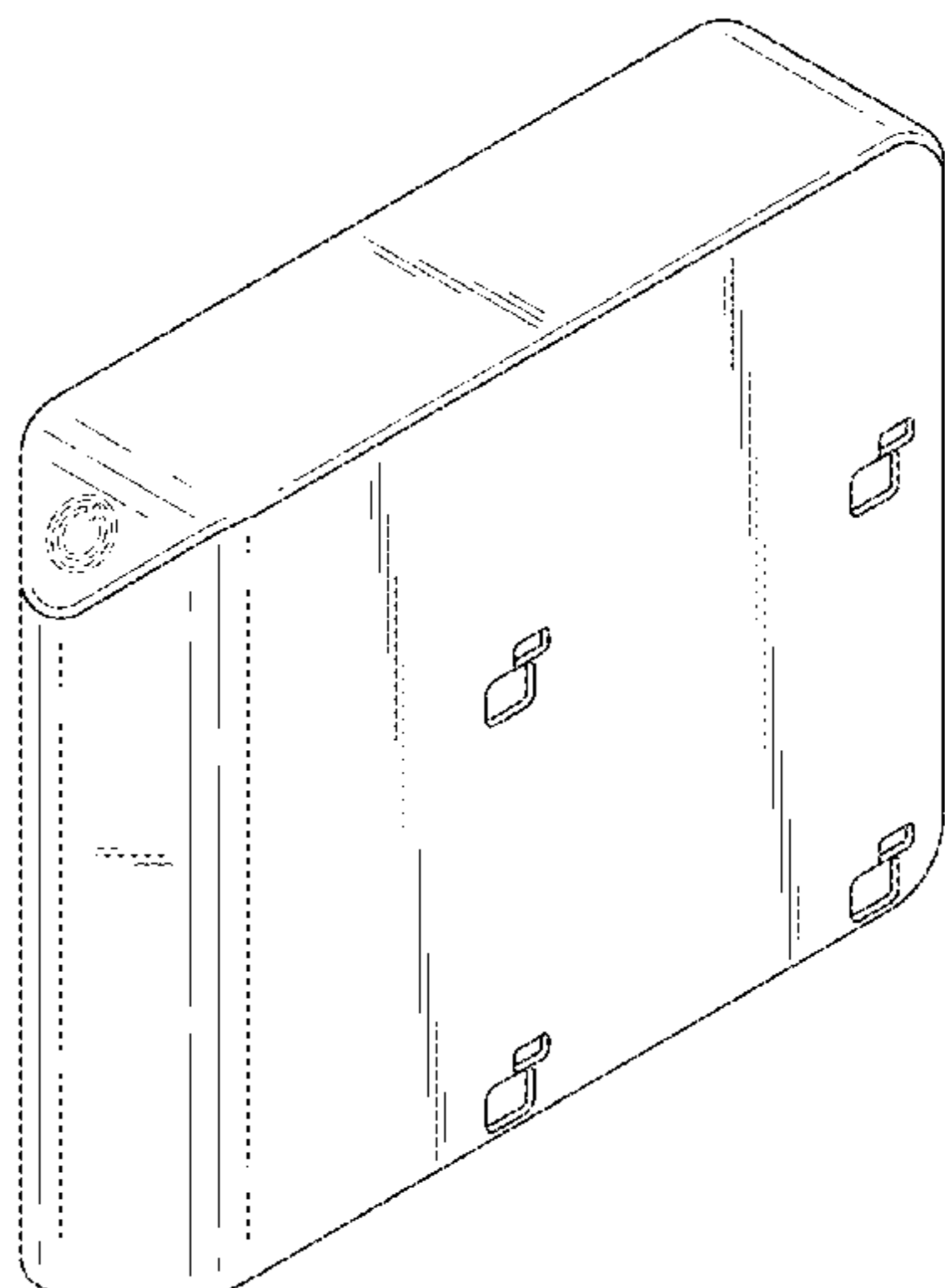
D322,963 S * 1/1992 Kittirutsunetorn D14/242
5,227,957 A * 7/1993 Deters G06F 1/181
312/223.2

(Continued)

OTHER PUBLICATIONS

Servers. (Design -© Questel). orbit.com. [online PDF] 9 pgs. Print Dates range Dec. 19, 2007-Jan. 4, 2017. [retrieved on Feb. 7, 2017]

1 Claim, 11 Drawing Sheets



(58) **Field of Classification Search**

CPC G06F 1/1656; G06F 1/16; G06F 1/1684;
G06F 17/00; G06F 17/30; G06F
17/30876

See application file for complete search history.

(56) **References Cited**

U.S. PATENT DOCUMENTS

D469,430	S	*	1/2003	Sue	D14/349
D525,972	S	*	8/2006	Liu	D14/356
D620,485	S	*	7/2010	Corrigan	D14/240
D630,632	S	*	1/2011	Puls	D14/240
D654,445	S	*	2/2012	Daniel	D14/125
D707,226	S	*	6/2014	DePaula	D14/357
D719,862	S	*	12/2014	Fiedler	D10/106.95
D724,079	S	*	3/2015	Probst	D14/348
D737,820	S	*	9/2015	Yu	D14/365
9,473,421	B1	*	10/2016	Basil	G06F 17/30876

* cited by examiner

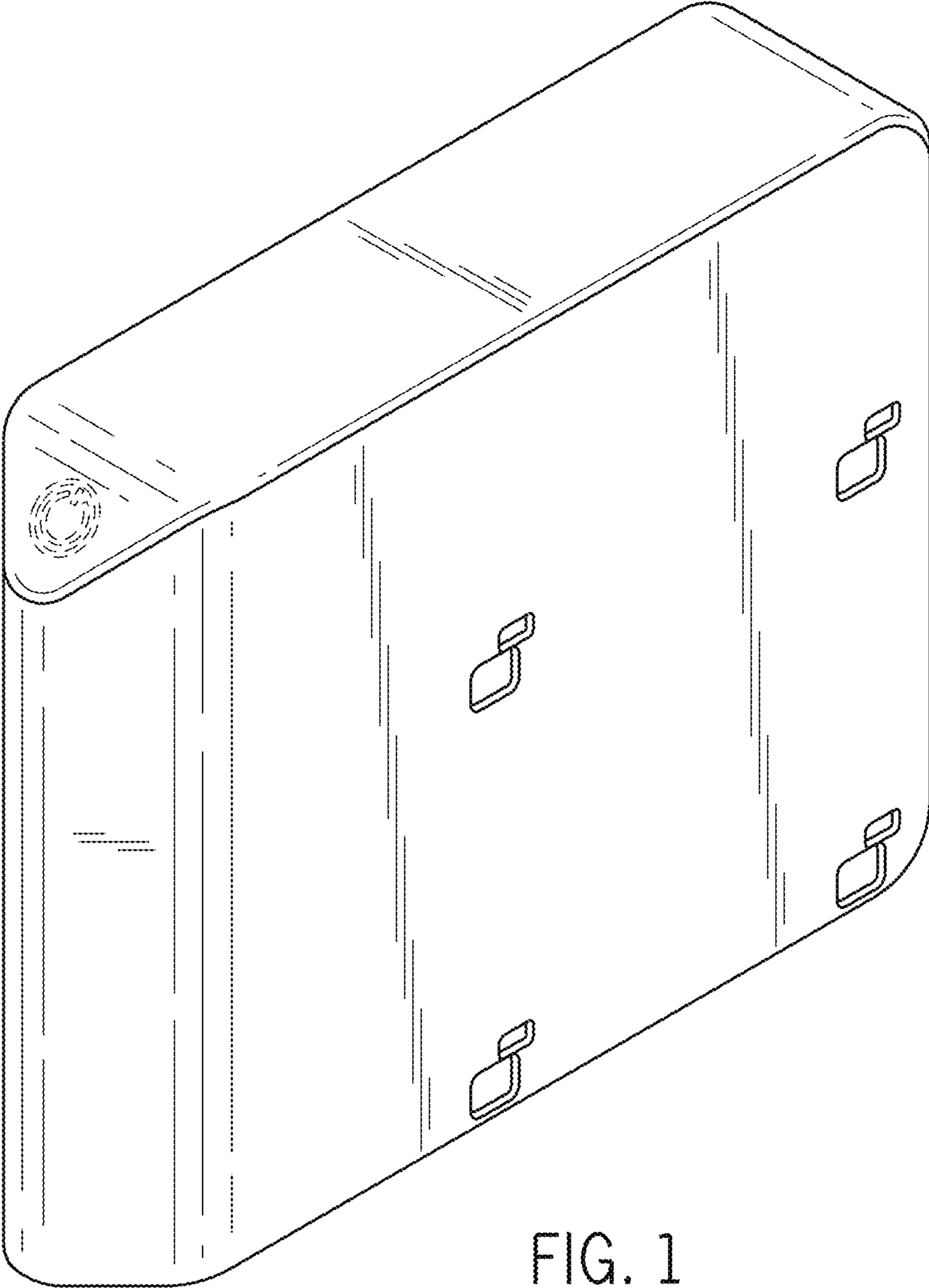


FIG. 1

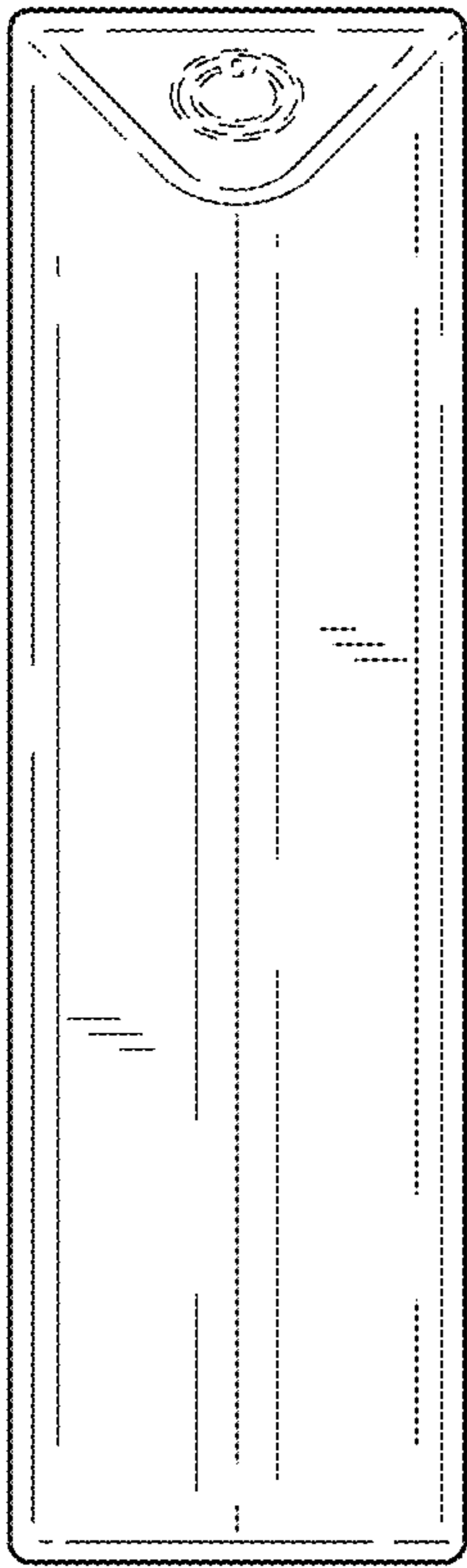


FIG. 2

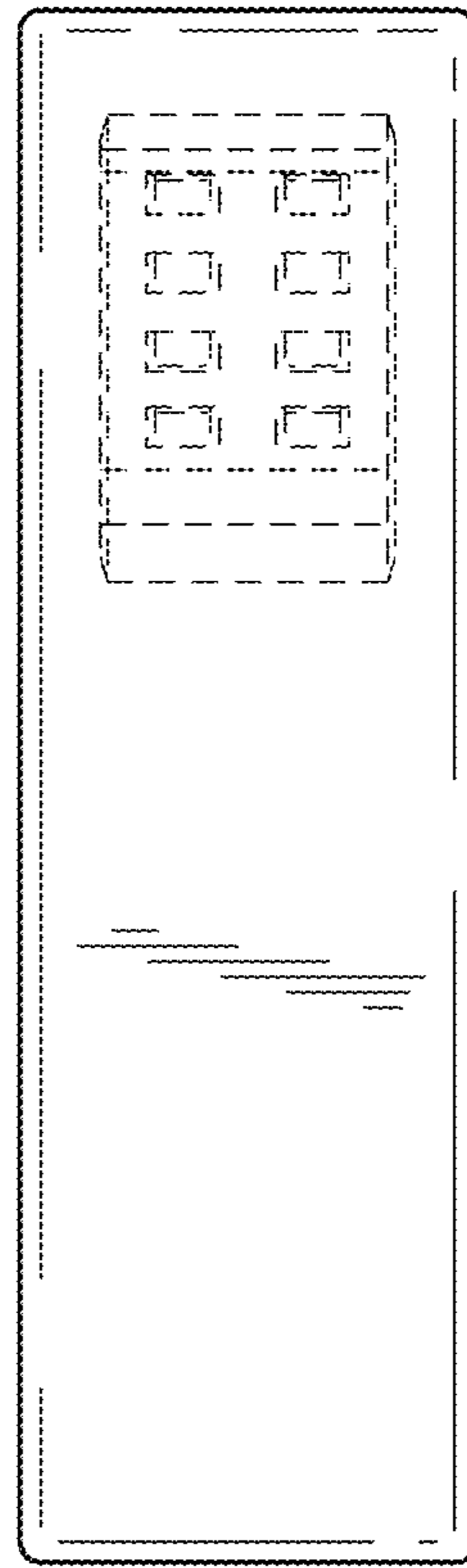


FIG. 3

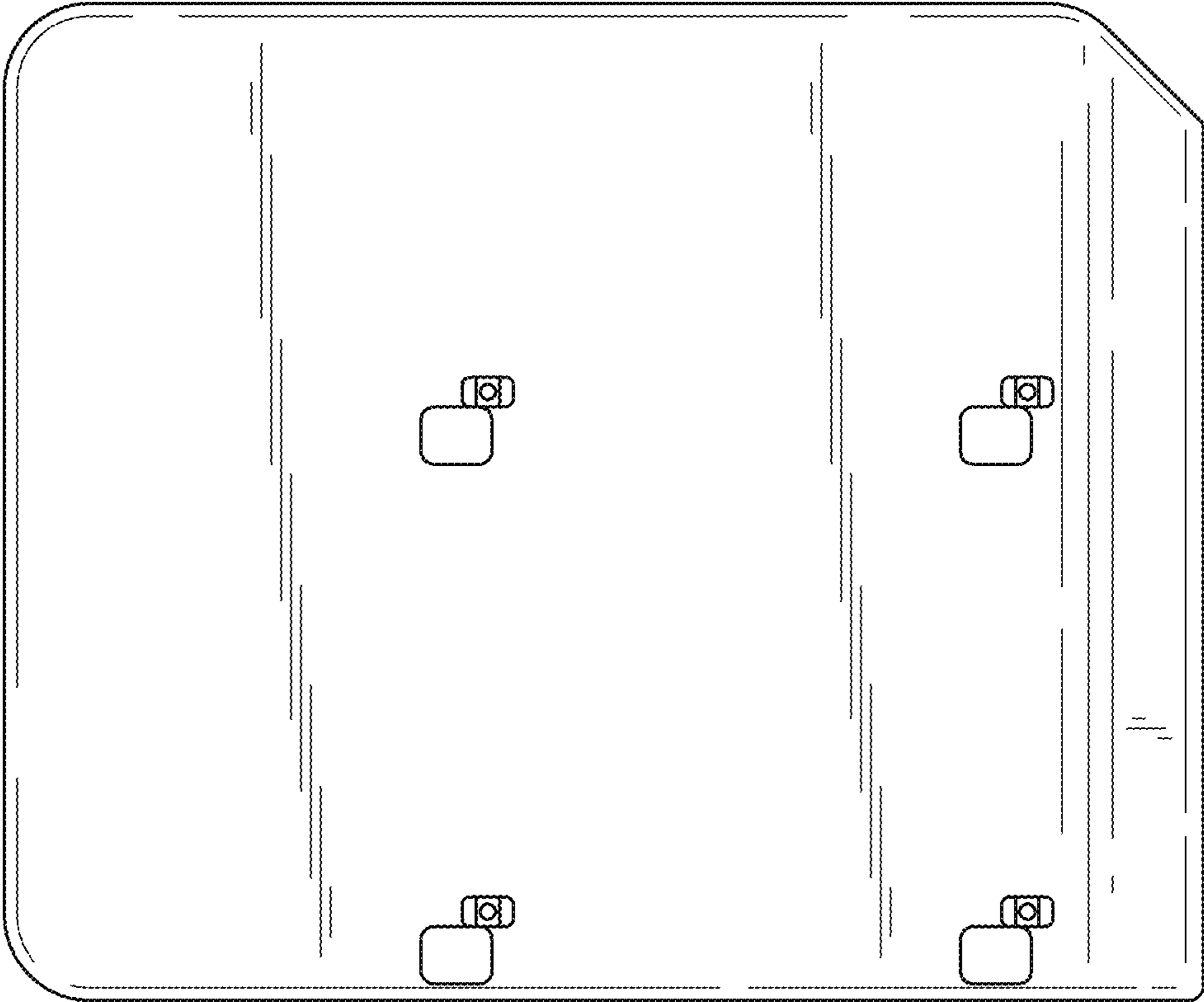


FIG. 4

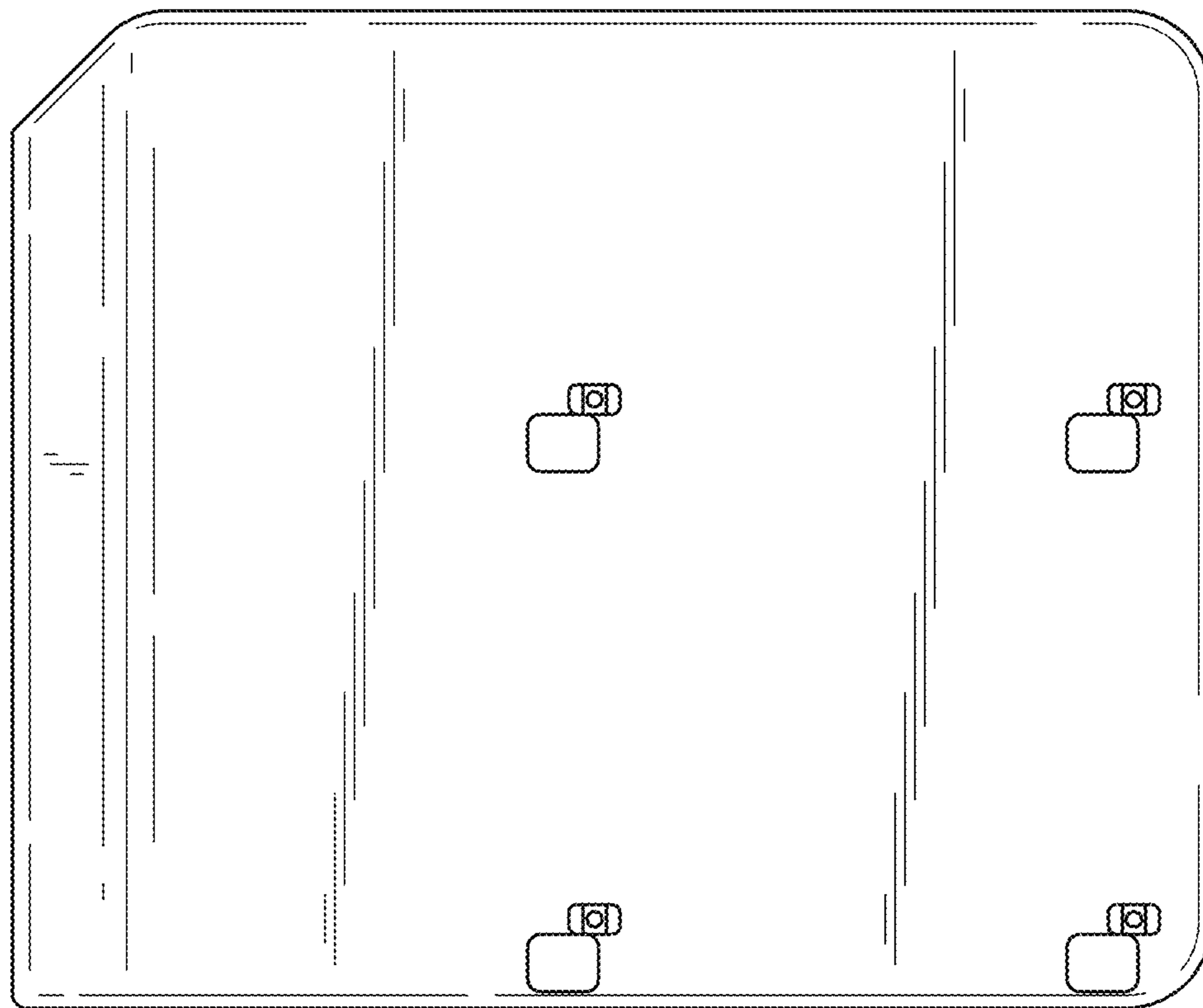


FIG. 5

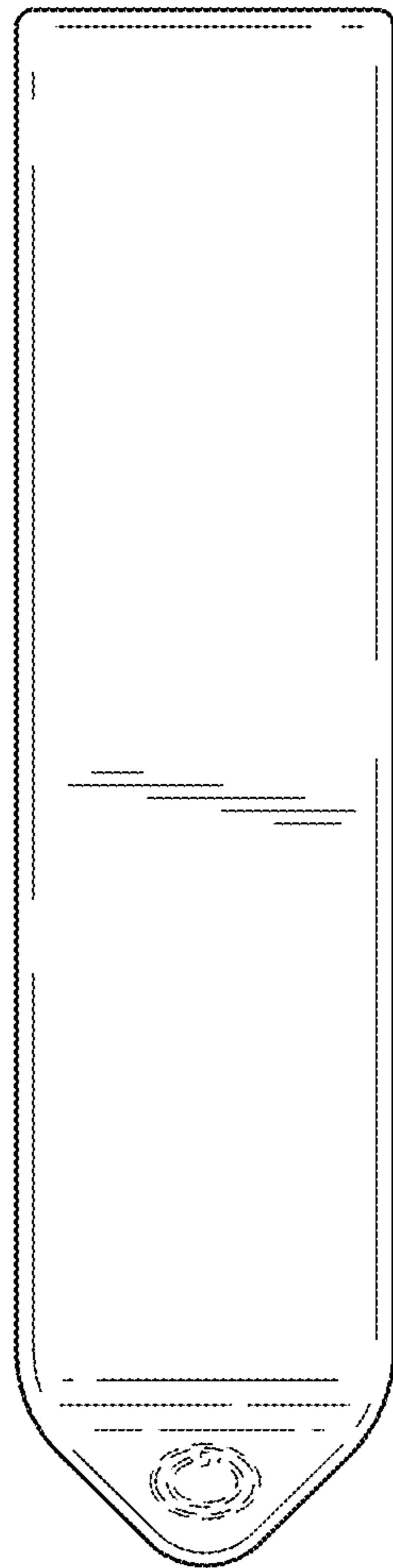


FIG. 6

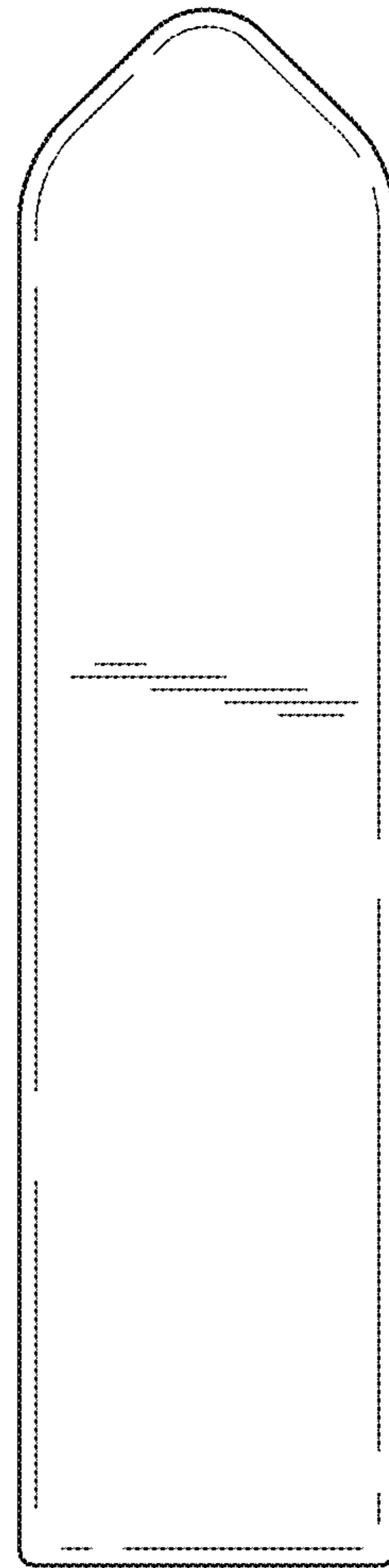


FIG. 7

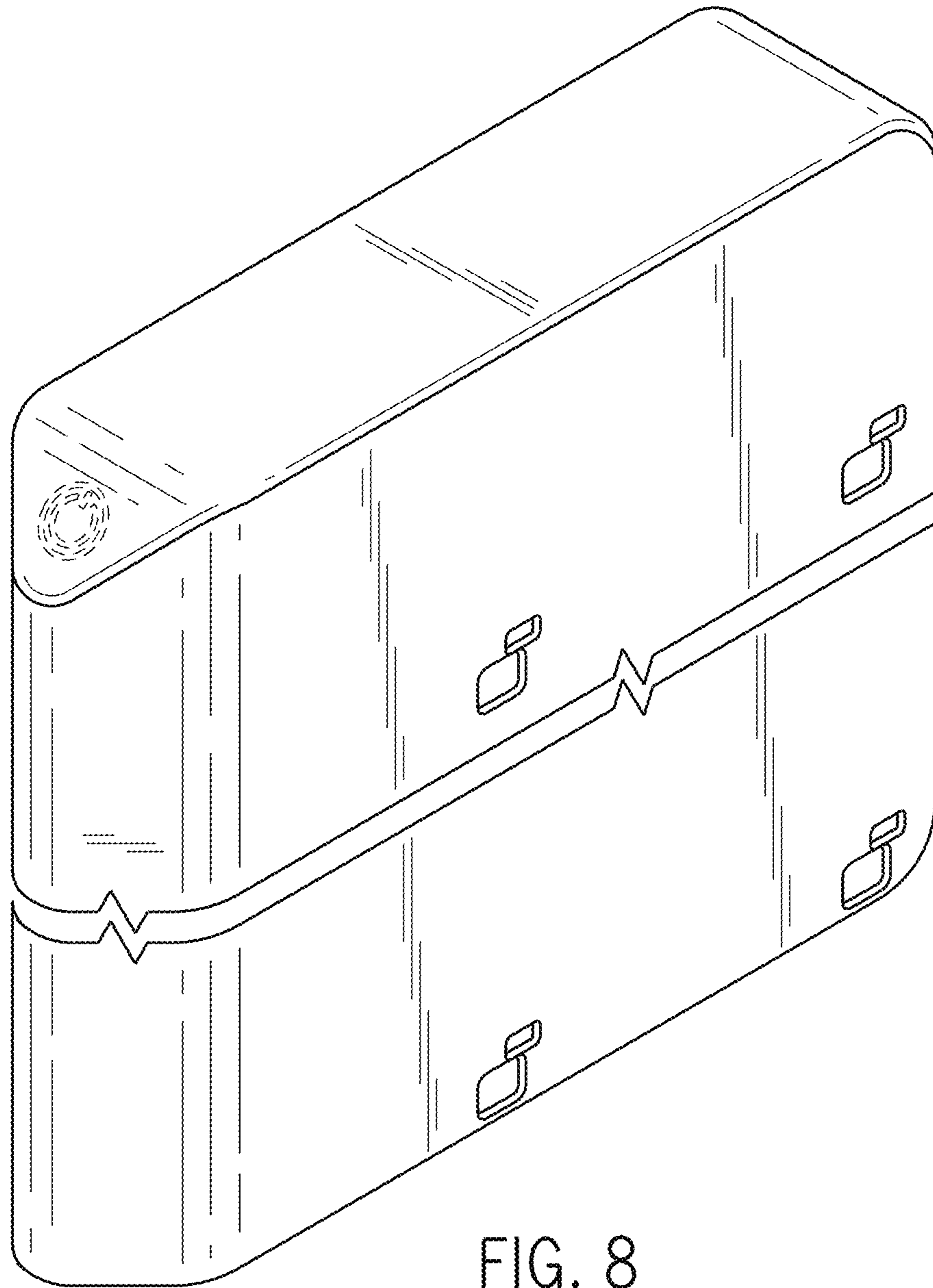


FIG. 8

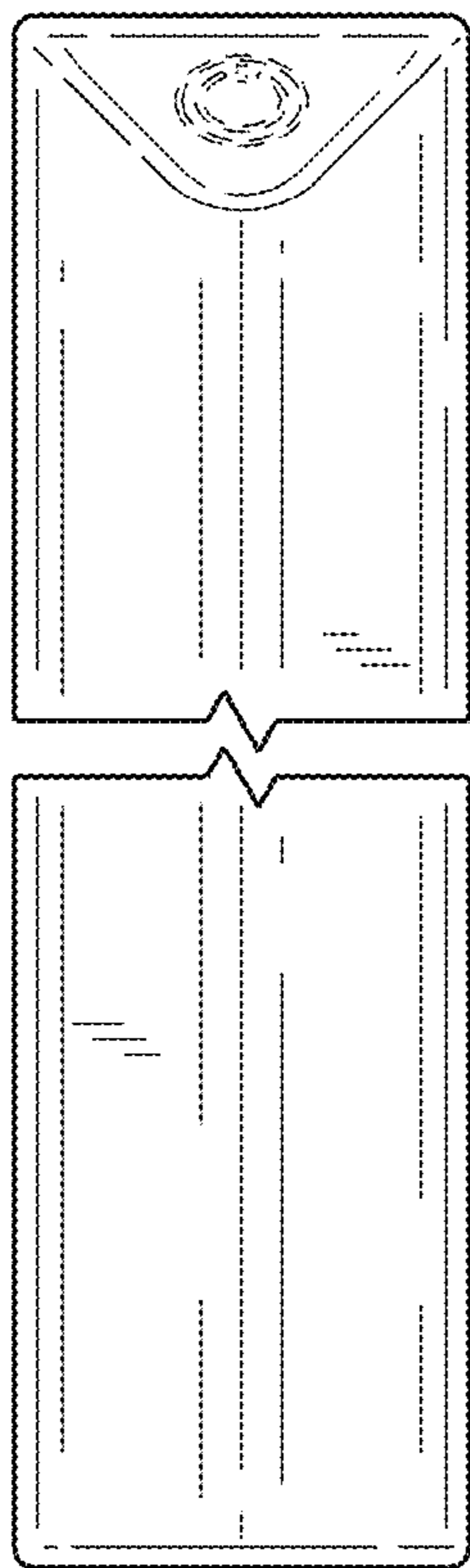


FIG. 9

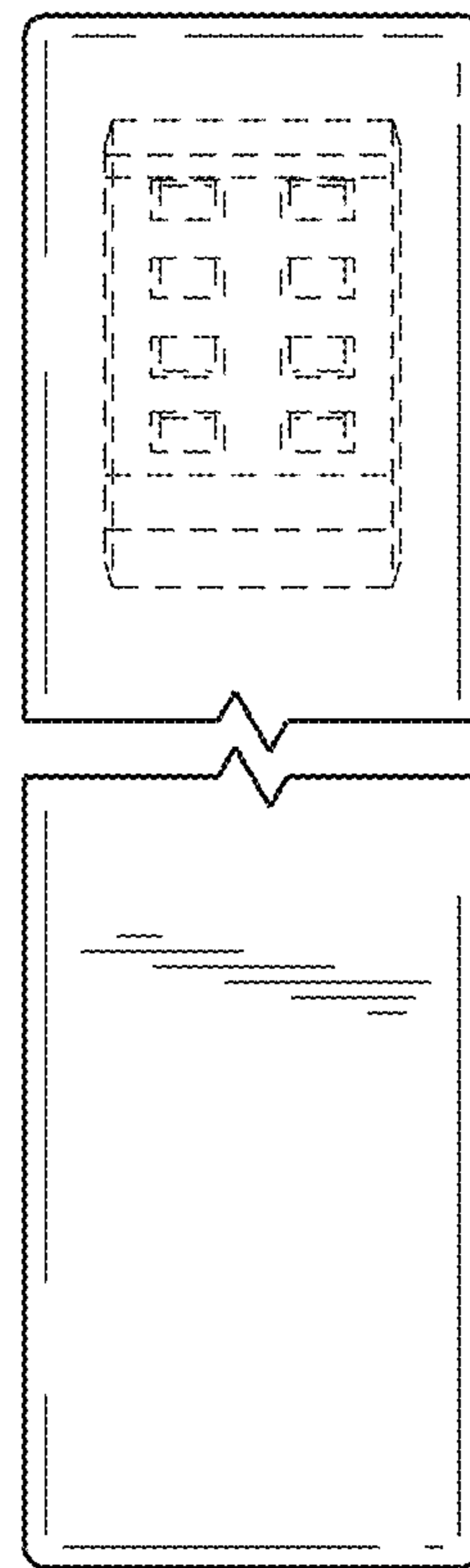


FIG. 10

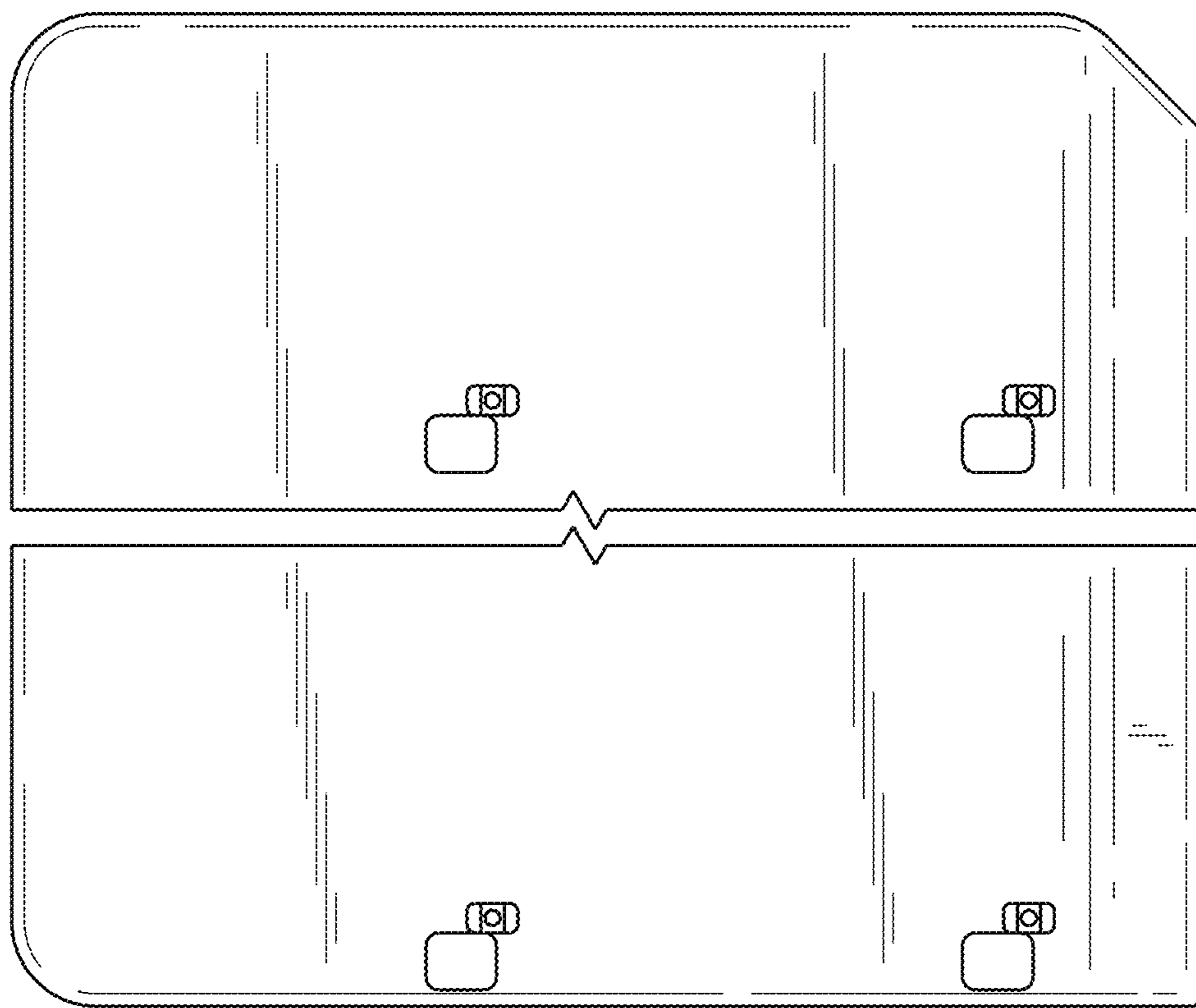


FIG. 11

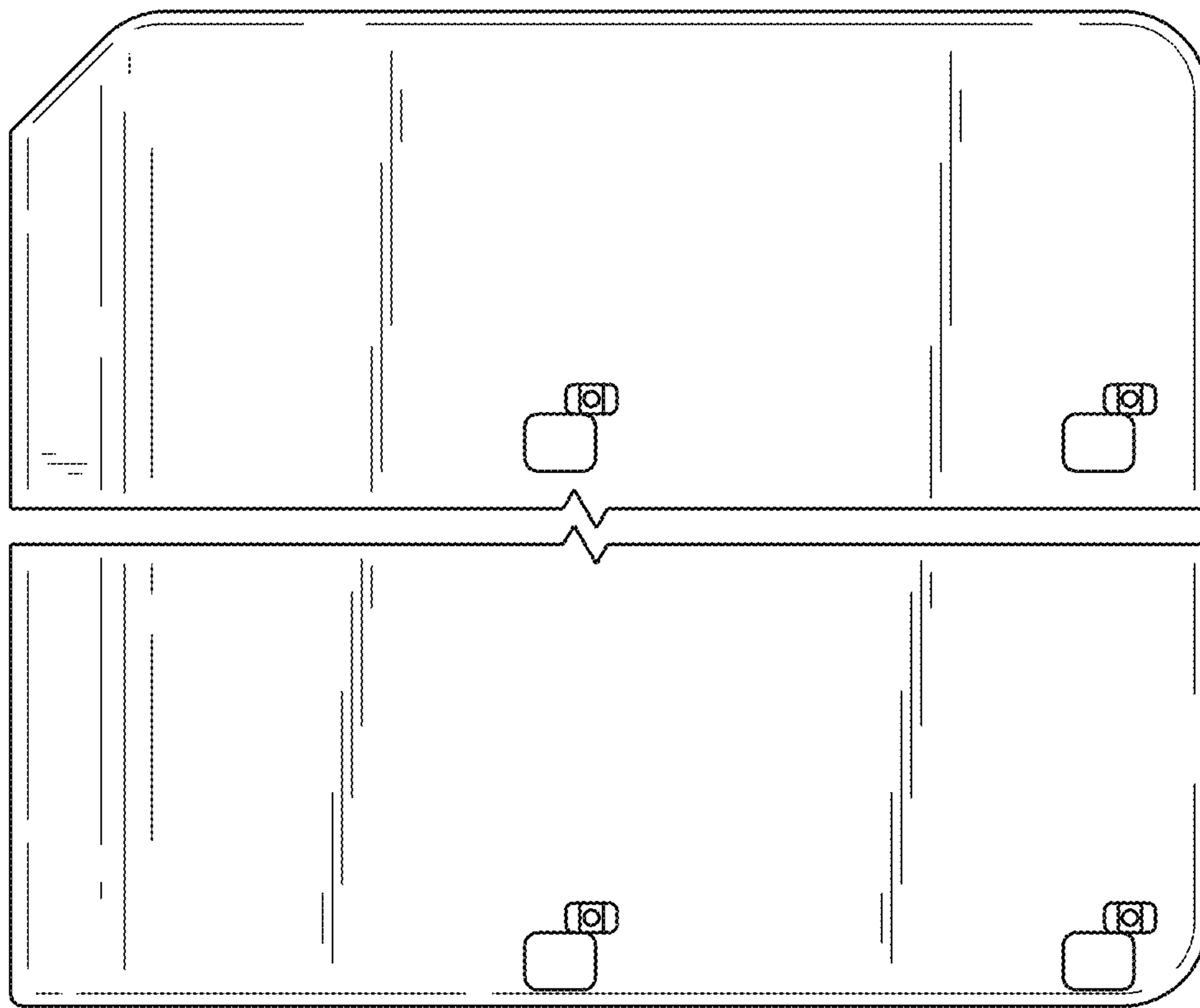


FIG. 12

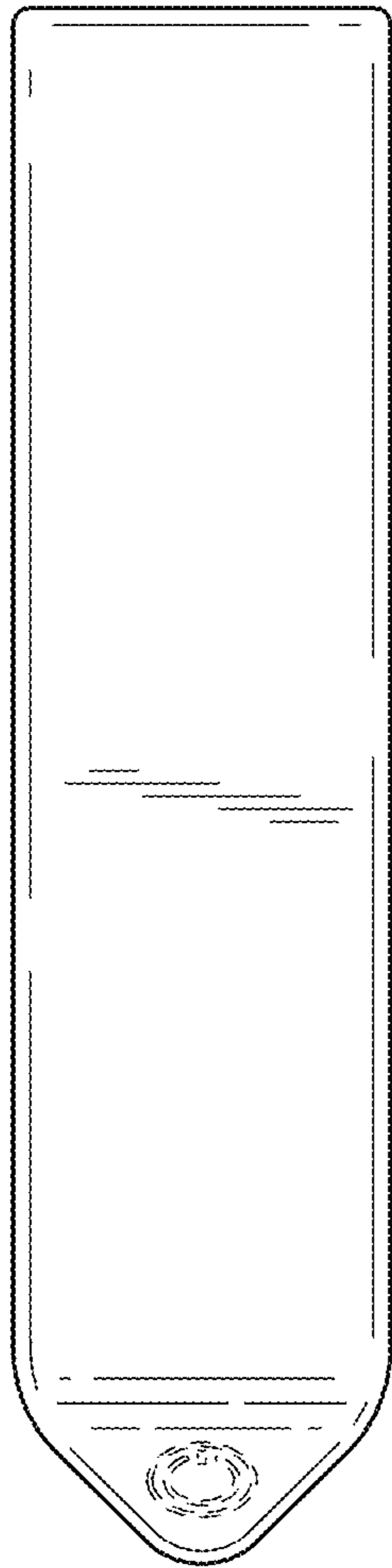


FIG. 13

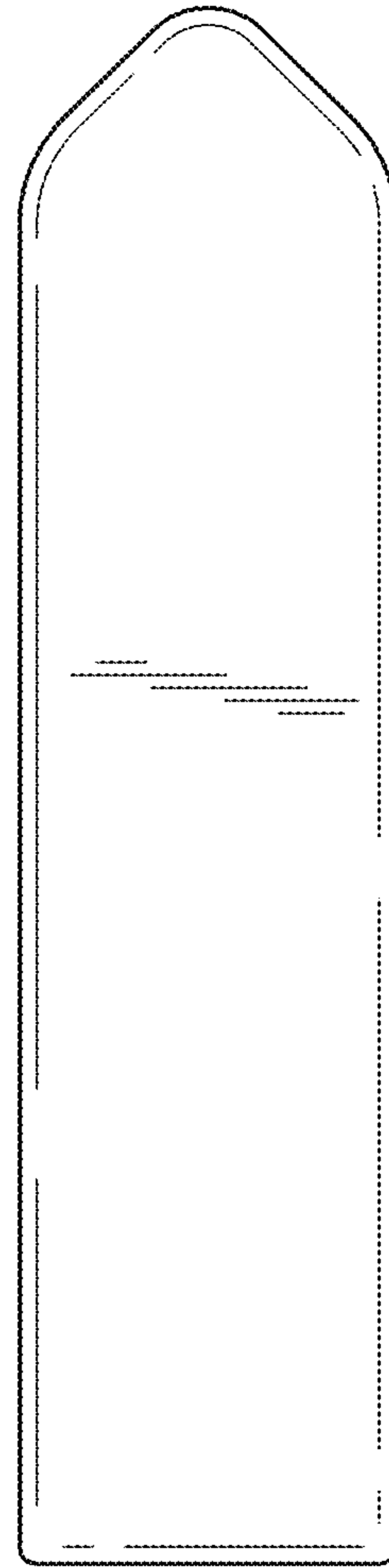


FIG. 14

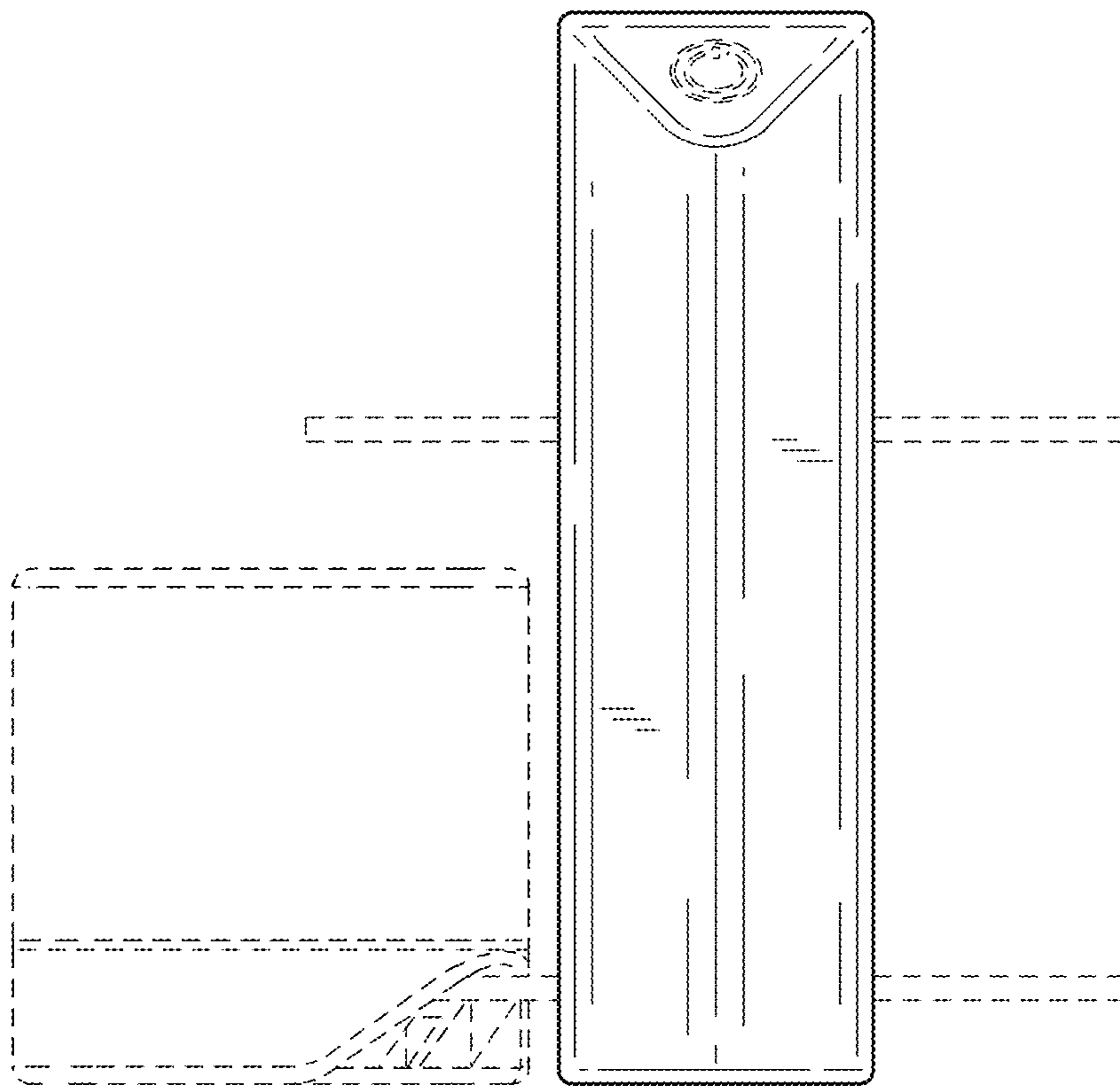


FIG. 15