



US00D787511S

(12) **United States Design Patent** (10) **Patent No.:** **US D787,511 S**
Lee et al. (45) **Date of Patent:** **** May 23, 2017**

(54) **SMART WATCH**

FOREIGN PATENT DOCUMENTS

(71) Applicant: **Samsung Electronics Co., Ltd.**,
Suwon-si (KR)

EM 001831124-0002 3/2011
KR 30-2014-0007924 2/2015

(72) Inventors: **Yongyeon Lee**, Suwon-si (KR); **Ji-Yeon Kwak**, Seoul (KR); **Haeyoon Park**, Seoul (KR); **Kio Lee**, Seoul (KR)

OTHER PUBLICATIONS

(73) Assignee: **Samsung Electronics Co., Ltd.**,
Suwon-si (KR)

Hajek, Martin. "Visualizing the future in 3D one rendering at a time". [2014] www.martinhajek.com. Feb. 5, 2014 <http://www.martinhajek.com/iwatchc/>.

(**) Term: **15 Years**

(Continued)

(21) Appl. No.: **29/554,540**

Primary Examiner — Barbara Fox

(22) Filed: **Feb. 12, 2016**

Assistant Examiner — Kristin E Reed

(30) **Foreign Application Priority Data**

(74) *Attorney, Agent, or Firm* — NSIP Law

Aug. 18, 2015 (KR) 30-2015-0041441

(51) **LOC (10) Cl.** **14-02**

(57) **CLAIM**

(52) **U.S. Cl.**
USPC **D14/344**

We claim the ornamental design for a smart watch, as shown and described.

(58) **Field of Classification Search**

DESCRIPTION

USPC D2/623, 626, 639, 878; D8/88, 356;
D10/30-39, 70, 98; D11/3, 87, 93-94,
D11/200, 201, 210, 216, 218, 221,
D11/230-231; D14/344, 138 R, 144,
D14/358; D24/167, 169, 186-187
CPC G06F 1/163; G06F 1/1628; G06F 1/1626;
G06F 1/1635; G06F 1/08; G06F 1/10;
G06F 1/04; G06F 1/14; G06F 1/3203;
A41D 1/002; H04M 1/02; H04M 1/03;
H04M 1/04; H04M 1/05; H04M 1/667;
Y02B 60/1217; H04B 1/385; H04B
1/3888; G06Q

FIG. 1 is a front perspective view of a smart watch showing our new design;
FIG. 2 is a front view thereof;
FIG. 3 is a rear view thereof;
FIG. 4 is a left-side view thereof;
FIG. 5 is a right-side view thereof;
FIG. 6 is a top view thereof;
FIG. 7 is a bottom view thereof;
FIG. 8 is a bottom rear perspective view thereof;
FIG. 9 is a cross-sectional view taken along the line of 9-9 in FIG. 2; and,
FIG. 10 is a front perspective view of the smart watch in which a wrist band is provided in dot-dot-dash broken lines to illustrate an example environment.
The dot-dot-dash broken lines illustrated in FIG. 10 are for environmental purposes only and form no part of the claimed design.

(Continued)

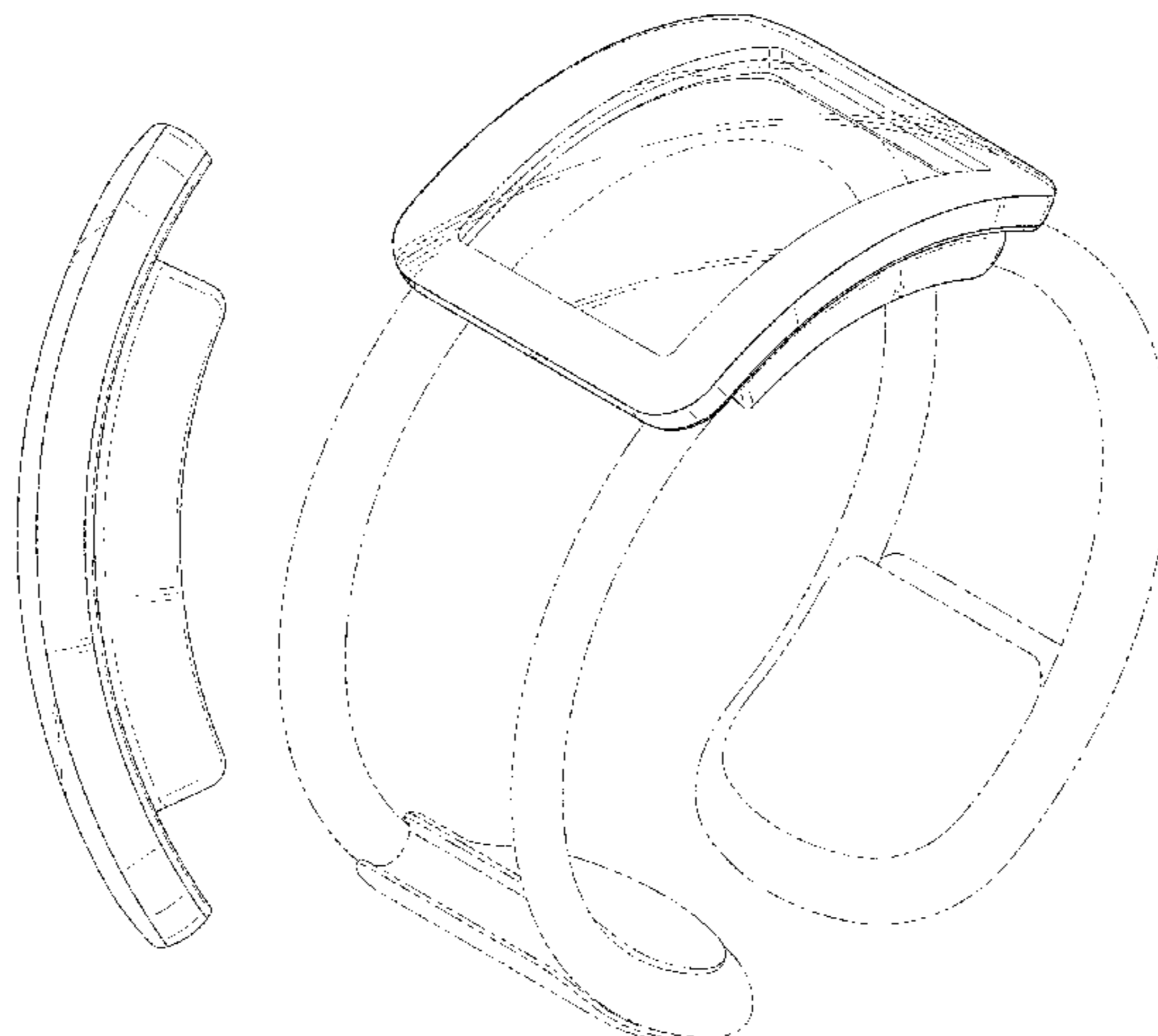
(56) **References Cited**

1 Claim, 10 Drawing Sheets

U.S. PATENT DOCUMENTS

3,006,350 A * 10/1961 Grunfeld A44C 5/003
132/297
D366,036 S * 1/1996 Houlihan D10/30

(Continued)



(58) **Field of Classification Search**
 CPC 20/10; G06Q 20/108; G06Q 20/12; G06Q
 20/145
 See application file for complete search history.

D761,141 S * 7/2016 Wimmer, IV D10/74
 D773,049 S * 11/2016 Wimmer, IV D10/103
 D773,050 S * 11/2016 Wimmer, IV D10/103
 D773,051 S * 11/2016 Wimmer, IV D10/103
 D773,052 S * 11/2016 Wimmer, IV D10/103
 9,516,771 B2 * 12/2016 Byeon H05K 5/0017
 2015/0350860 A1 * 12/2015 Wimmer H04W 4/22
 455/404.2

(56) **References Cited**

U.S. PATENT DOCUMENTS

D429,657 S * 8/2000 Baghdassarian D11/3
 D439,172 S * 3/2001 Brzezinski D10/30
 D451,116 S * 11/2001 Kono D10/31
 D466,487 S * 12/2002 Wada D10/31
 D466,488 S * 12/2002 Wada D10/31
 D645,045 S * 9/2011 Cacioppo D14/218
 D722,894 S 2/2015 Vondle et al.
 D729,654 S * 5/2015 Nuovo D10/103
 D739,027 S * 9/2015 Johnson D24/169
 D739,274 S * 9/2015 Chen D10/70
 D740,151 S * 10/2015 Harrigan D11/3
 D742,372 S * 11/2015 Christopher D14/344
 D745,868 S * 12/2015 Choi D10/32
 D757,721 S * 5/2016 Dallmeyer D14/344
 D758,363 S * 6/2016 Akana D10/30
 D761,140 S * 7/2016 Wimmer, IV D10/74

OTHER PUBLICATIONS

inDigi. “inDigi® Innovative Technology Smart Watch Bluetooth
 Bracelet Call Alert OLED Caller ID for iphone 5s Galaxy s5 (US
 Seller)”. [2016] www.amazon.com. Feb. 11, 2016 <http://www.amazon.com/inDigi%C2%AE-Innovative-Technology-Bluetooth-Bracelet/dp/B00KECYK9Q/ref=sr_1_2?ie=UTF8&qid=1455166079&sr=8-2&keywords=indigi+Innovative+Technology+Smart+Watch+Bluetooth+Bracelet>.
 “Smart Bracelet: MICA, My Intelligent Communication Acces-
 sory”. [2016] www.intel.com. Feb. 4, 2016 <<http://www.intel.com/content/www/us/en/wearables/mica-smart-bracelet.html>>.

* cited by examiner

FIG. 1

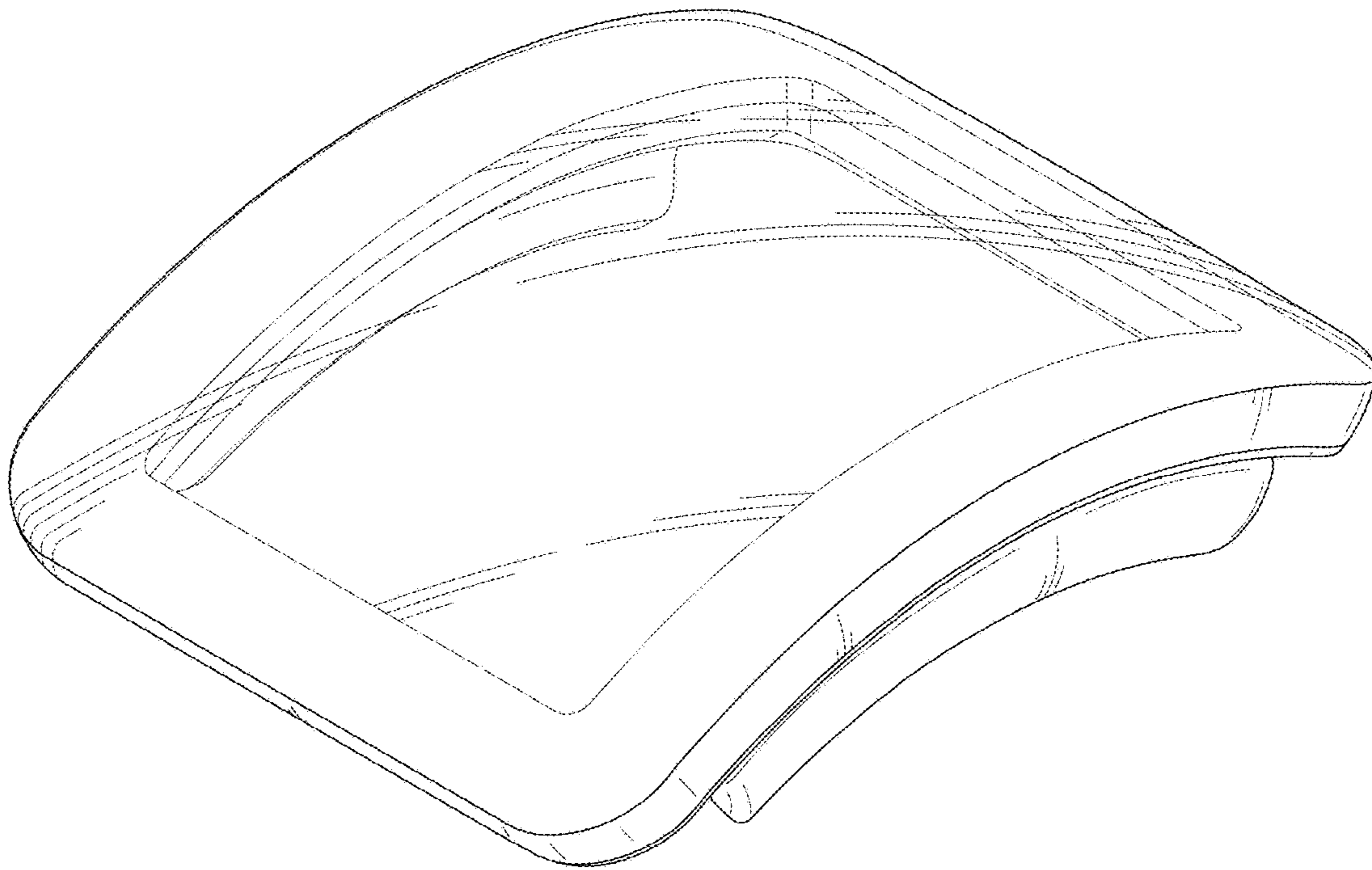


FIG. 2

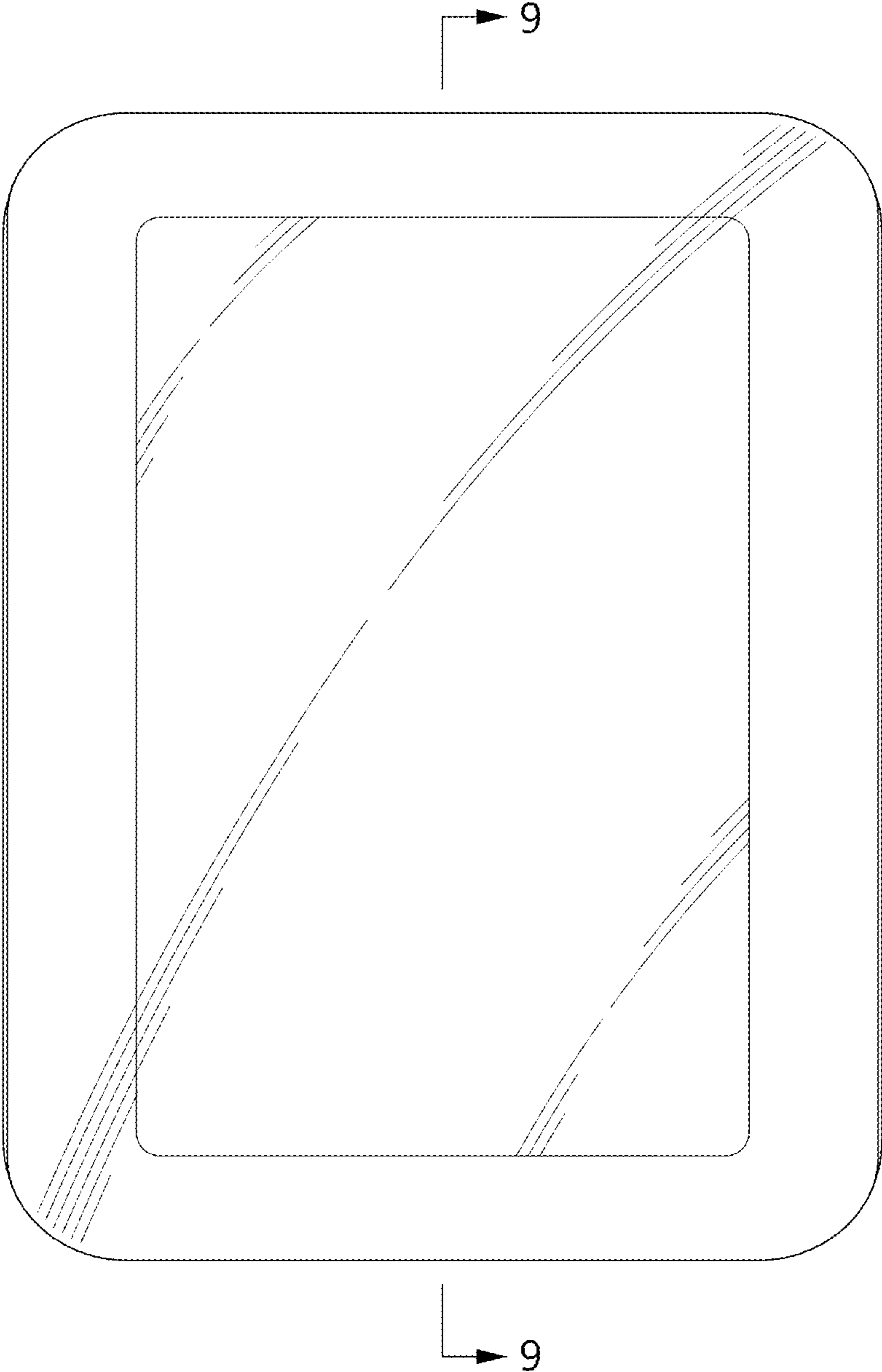


FIG. 3

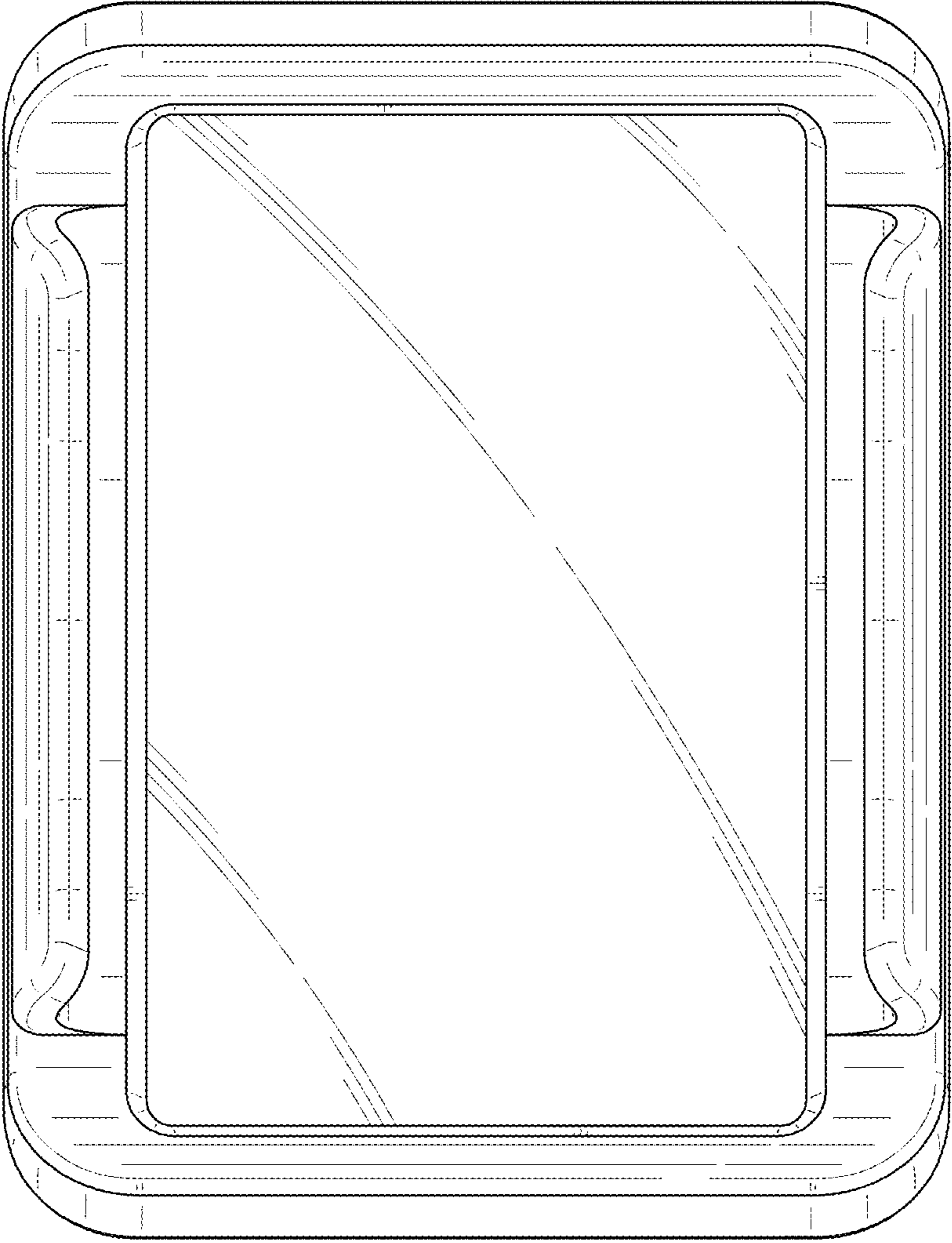


FIG. 4

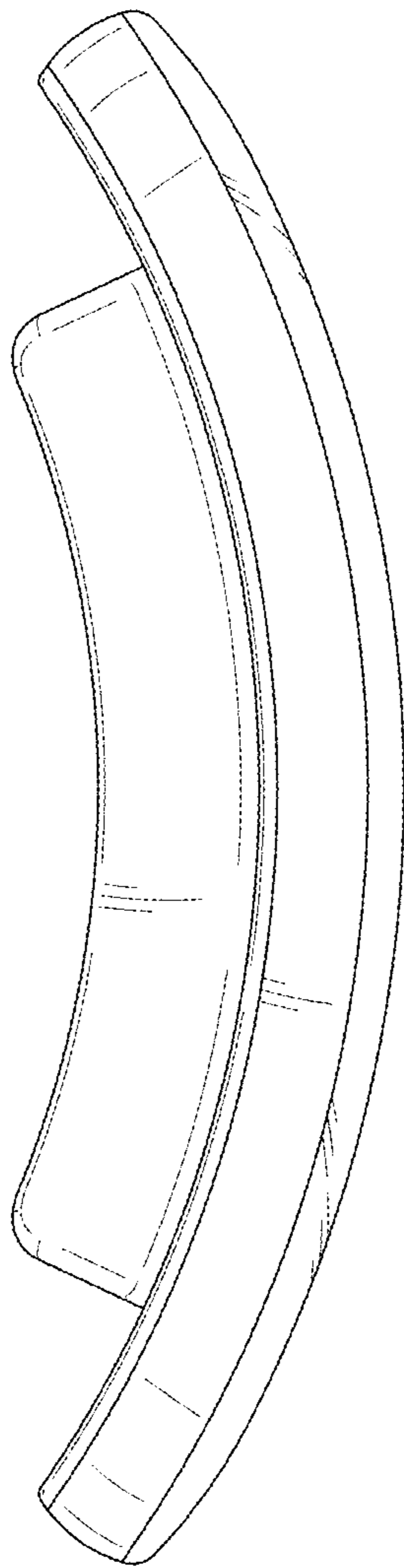


FIG. 5

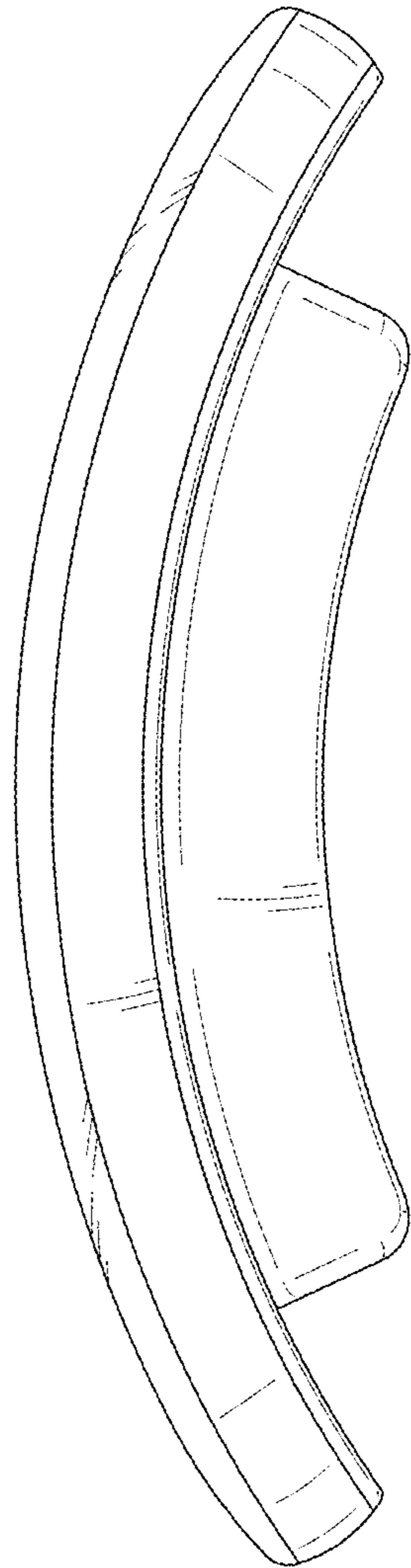


FIG. 6

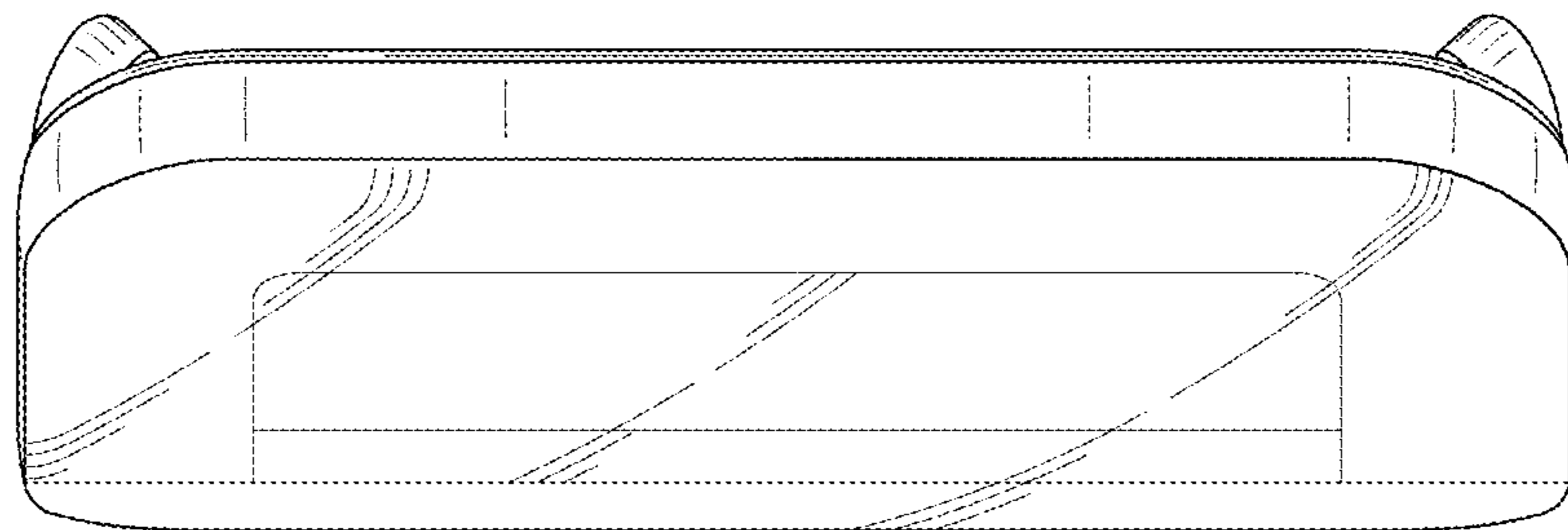


FIG. 7

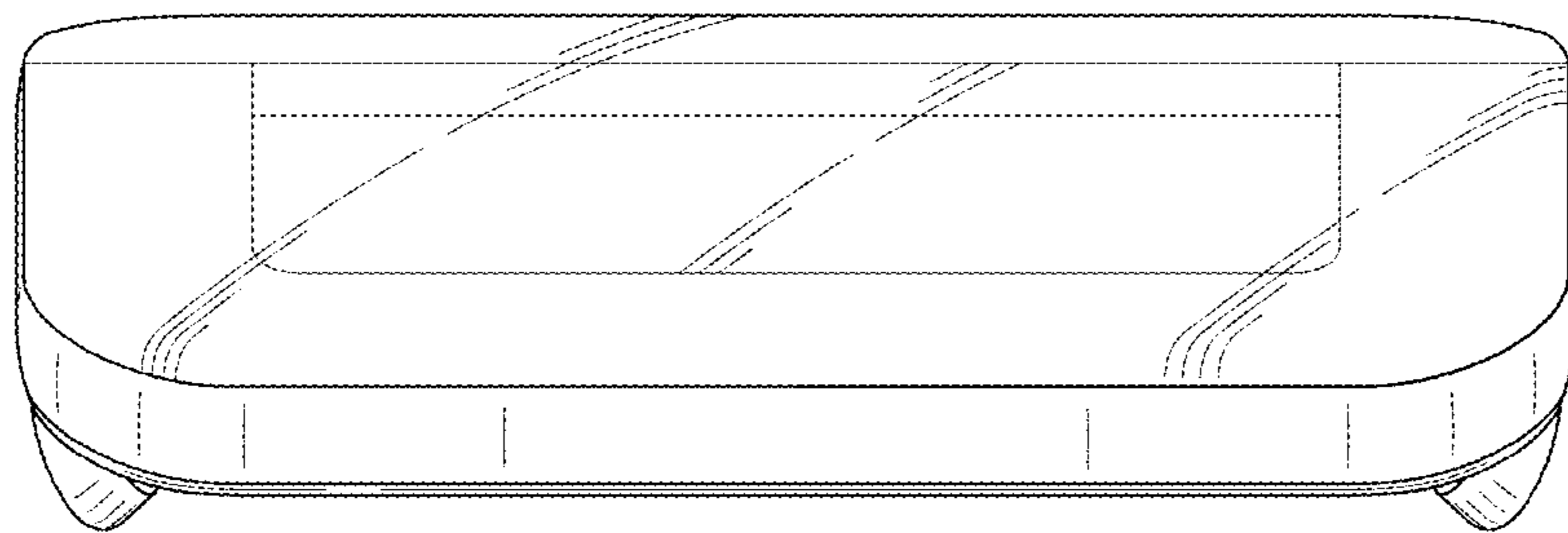


FIG. 8

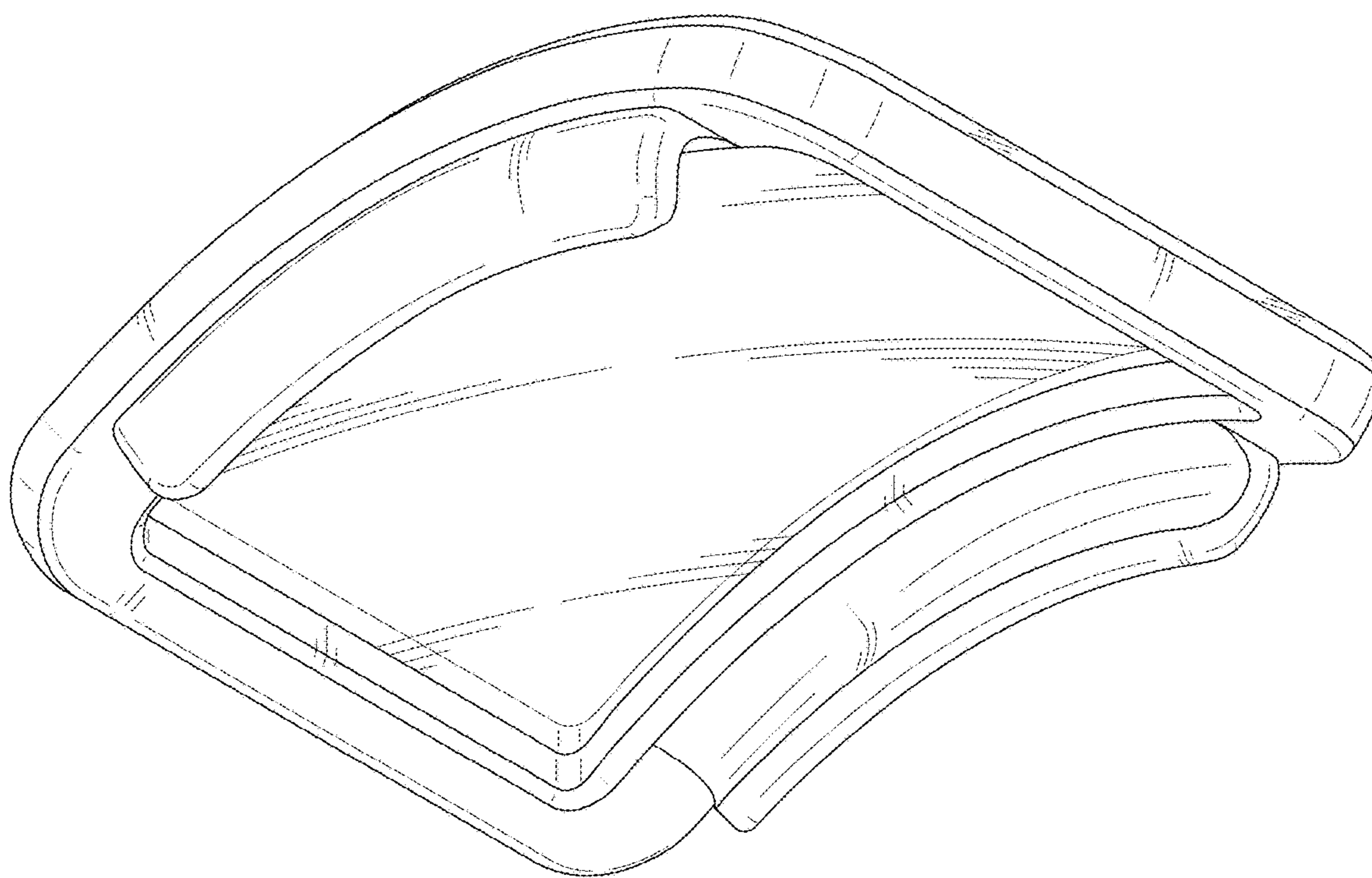


FIG. 9

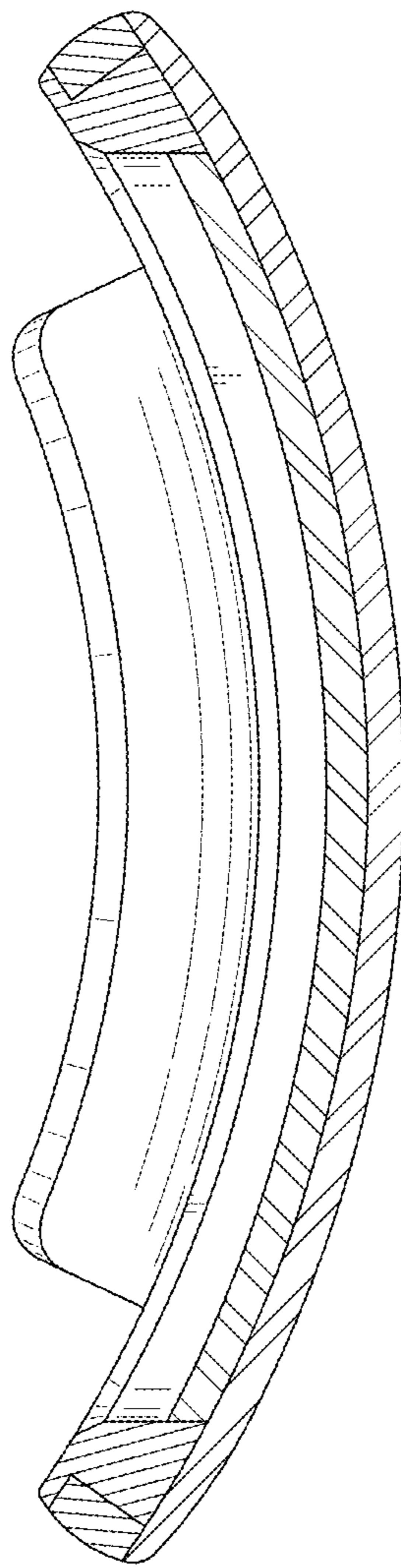


FIG. 10

