

US00D787509S

(12) **United States Design Patent**
Takiguchi

(10) **Patent No.:** **US D787,509 S**

(45) **Date of Patent:** **** May 23, 2017**

(54) **MOBILE TERMINAL**

(71) Applicant: **Panasonic Intellectual Property Management Co., Ltd., Osaka (JP)**

(72) Inventor: **Shinichi Takiguchi, Osaka (JP)**

(73) Assignee: **Panasonic Intellectual Property Management Co., Ltd., Osaka (JP)**

(**) Term: **15 Years**

(21) Appl. No.: **29/554,901**

(22) Filed: **Feb. 16, 2016**

(51) **LOC (10) Cl.** **14-02**

(52) **U.S. Cl.**
USPC **D14/341**

(58) **Field of Classification Search**
USPC D14/157, 247–258, 315–318, 341–347,
D14/420, 426, 129, 130, 496, 137, 138 R,
D14/138 AA, 138 C, 138 G, 203.1, 203.3,
D14/203.4, 203.7, 388, 389; D10/50, 65,
D10/104.1; D21/329, 330; D18/7
CPC G06F 3/04883; G06F 3/0486; G06F
3/04847; G06F 3/04845; G06F 3/04817;
G06F 3/0484; G06F 1/1613; G06F
1/1647; G06F 1/1641; H04M 1/0279;
H04M 1/0281; H04M 1/0283; A63H
33/3016

See application file for complete search history.

(56) **References Cited**

U.S. PATENT DOCUMENTS

D429,226 S	8/2000	Siddoway et al.	
D532,003 S	* 11/2006	Franck	D14/248
D664,517 S	7/2012	Sutherland et al.	
D669,892 S	* 10/2012	Hofer	D14/138 G
D675,180 S	1/2013	Zhang et al.	
D685,338 S	* 7/2013	Park	D14/138 G
D687,406 S	8/2013	Xia et al.	

D701,859 S	*	4/2014	Jeon	D14/341
D703,661 S	*	4/2014	Krause	D14/341
D705,188 S	*	5/2014	Chau	D14/138 G
D705,747 S	*	5/2014	Boucquey	D14/138 G
D729,188 S	*	5/2015	Nilsen	D14/138 G
D731,478 S	*	6/2015	Lee	D14/138 G
D731,479 S	*	6/2015	Lee	D14/138 G
D736,205 S	*	8/2015	Park	D14/138 R
D742,822 S	*	11/2015	Ju	D13/103
D743,332 S	*	11/2015	Ju	D13/103
D747,715 S		1/2016	Borgini et al.	
D775,098 S	*	12/2016	Nishikawa	D14/138 G
D779,453 S	*	2/2017	Daniel	D14/138 G
D780,148 S	*	2/2017	Nagao	D14/138 G

* cited by examiner

Primary Examiner — Barbara Fox

Assistant Examiner — Dana K Weiland

(74) *Attorney, Agent, or Firm* — Panasonic IP Management; Kerry S. Culpepper

(57) **CLAIM**

I claim the ornamental design for a mobile terminal, as shown and described.

DESCRIPTION

FIG. 1 is a front-left-top perspective view of a mobile terminal of the present invention;
FIG. 2 is a rear-right-top perspective view thereof;
FIG. 3 is a rear-left-bottom perspective view thereof;
FIG. 4 is a front view thereof;
FIG. 5 is a rear view thereof;
FIG. 6 is a left side view thereof;
FIG. 7 is a right side view thereof;
FIG. 8 is a top view thereof; and,
FIG. 9 is a bottom view thereof.

The broken lines shown in the drawings illustrate portions of the mobile terminal that form no part of the claimed design. Additionally, the unevenly broken lines in the drawings define the limits of the claimed design.

1 Claim, 9 Drawing Sheets

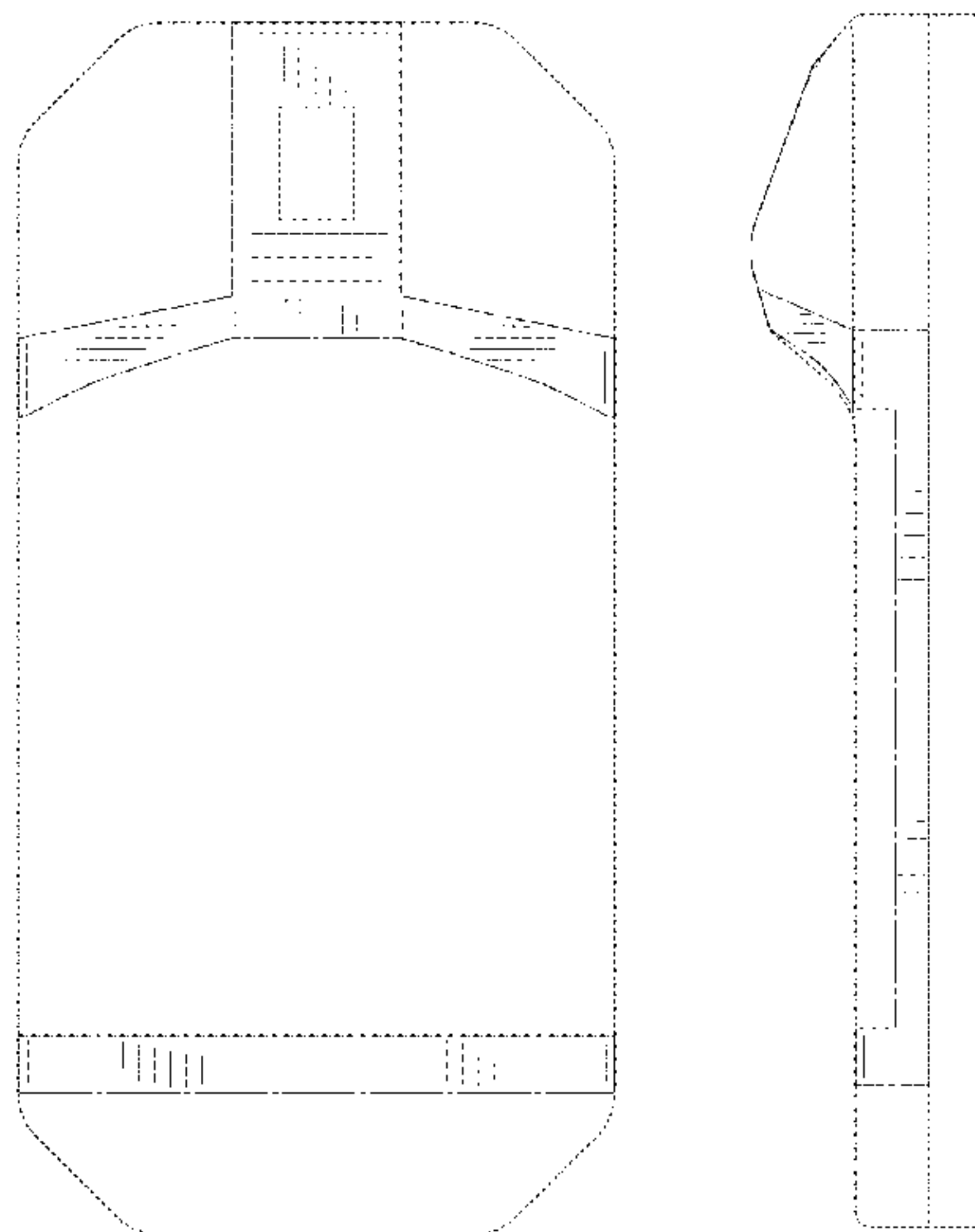


FIG. 1

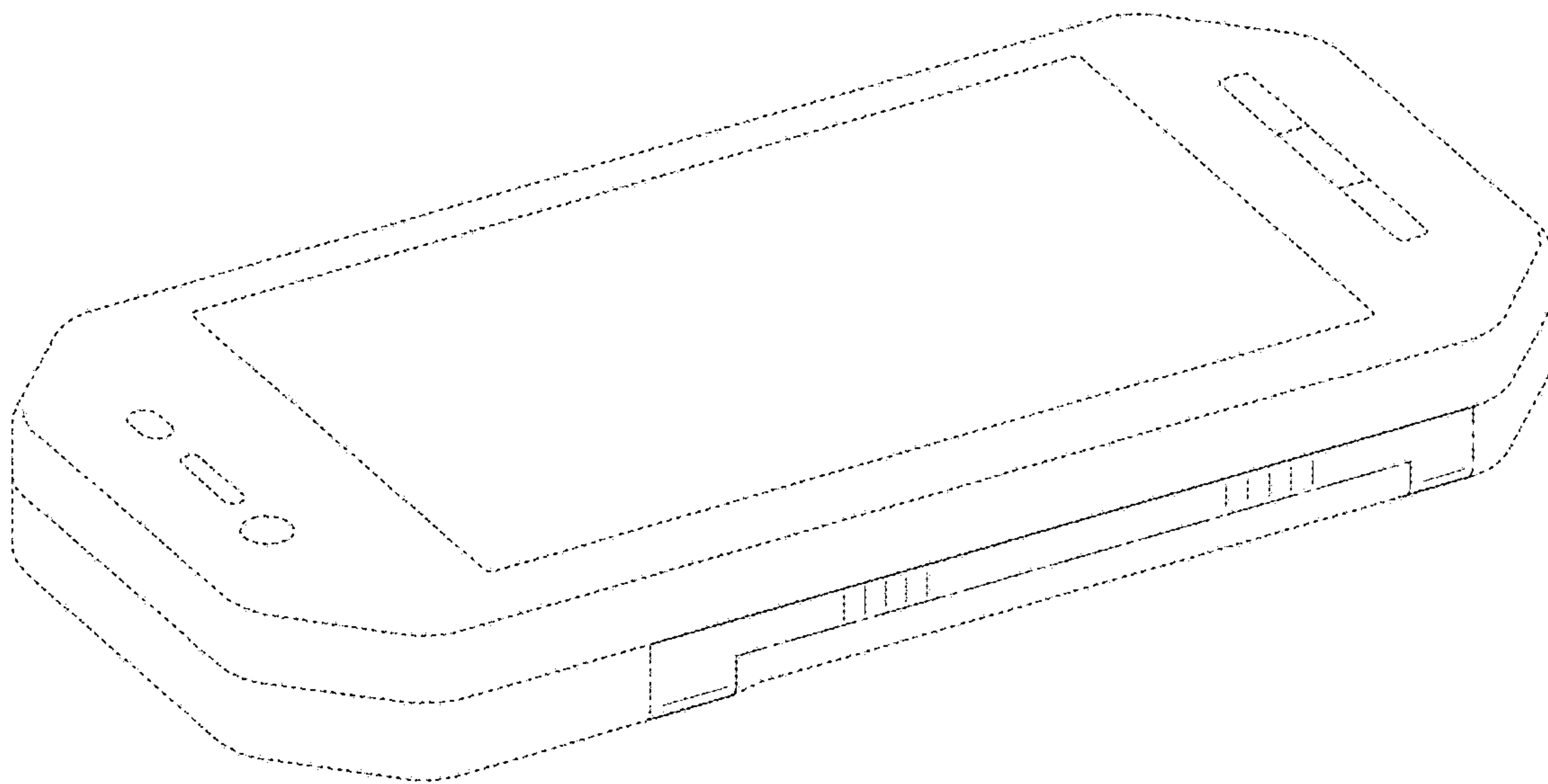


FIG. 2

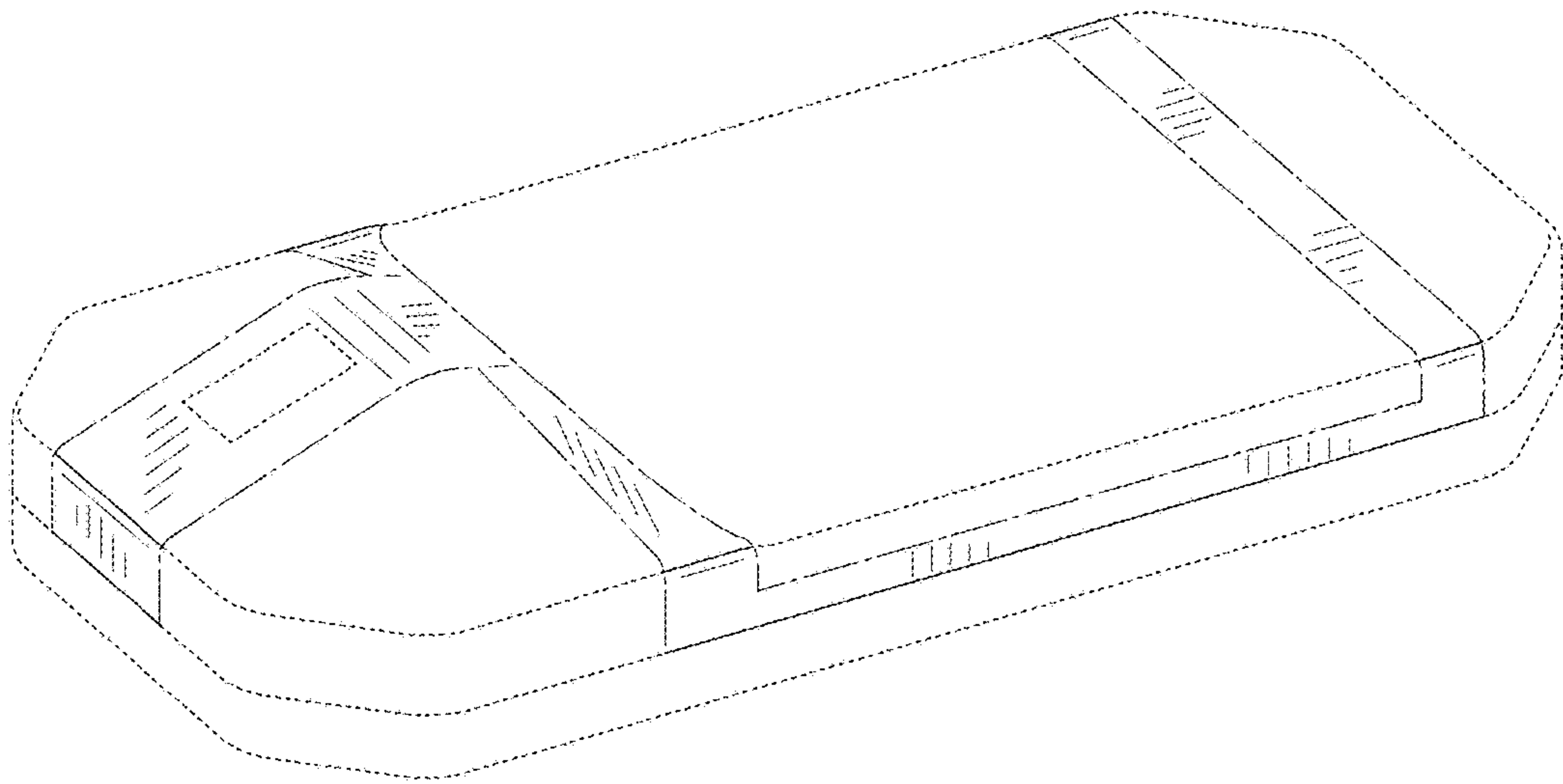


FIG. 3

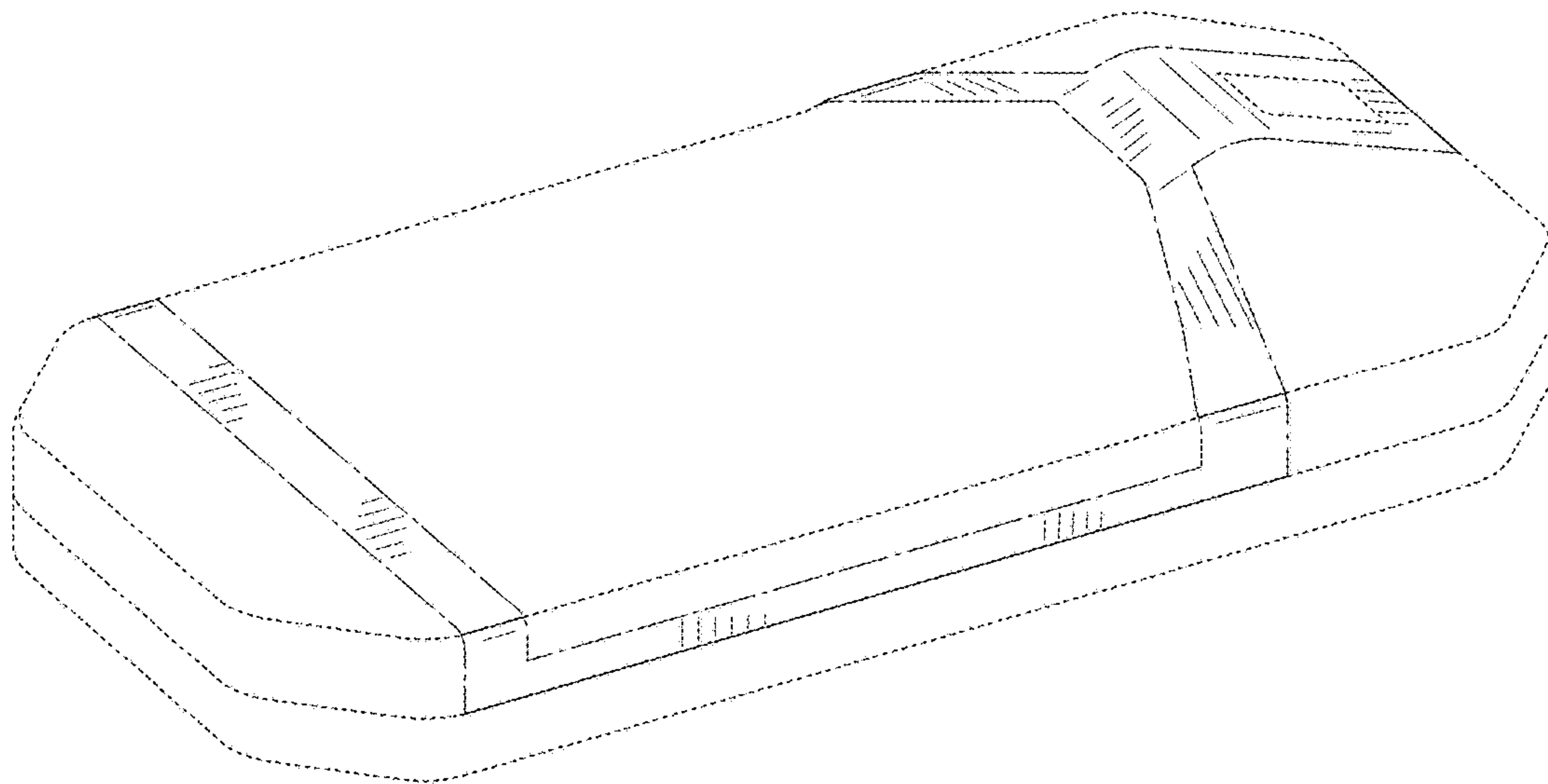


FIG. 4

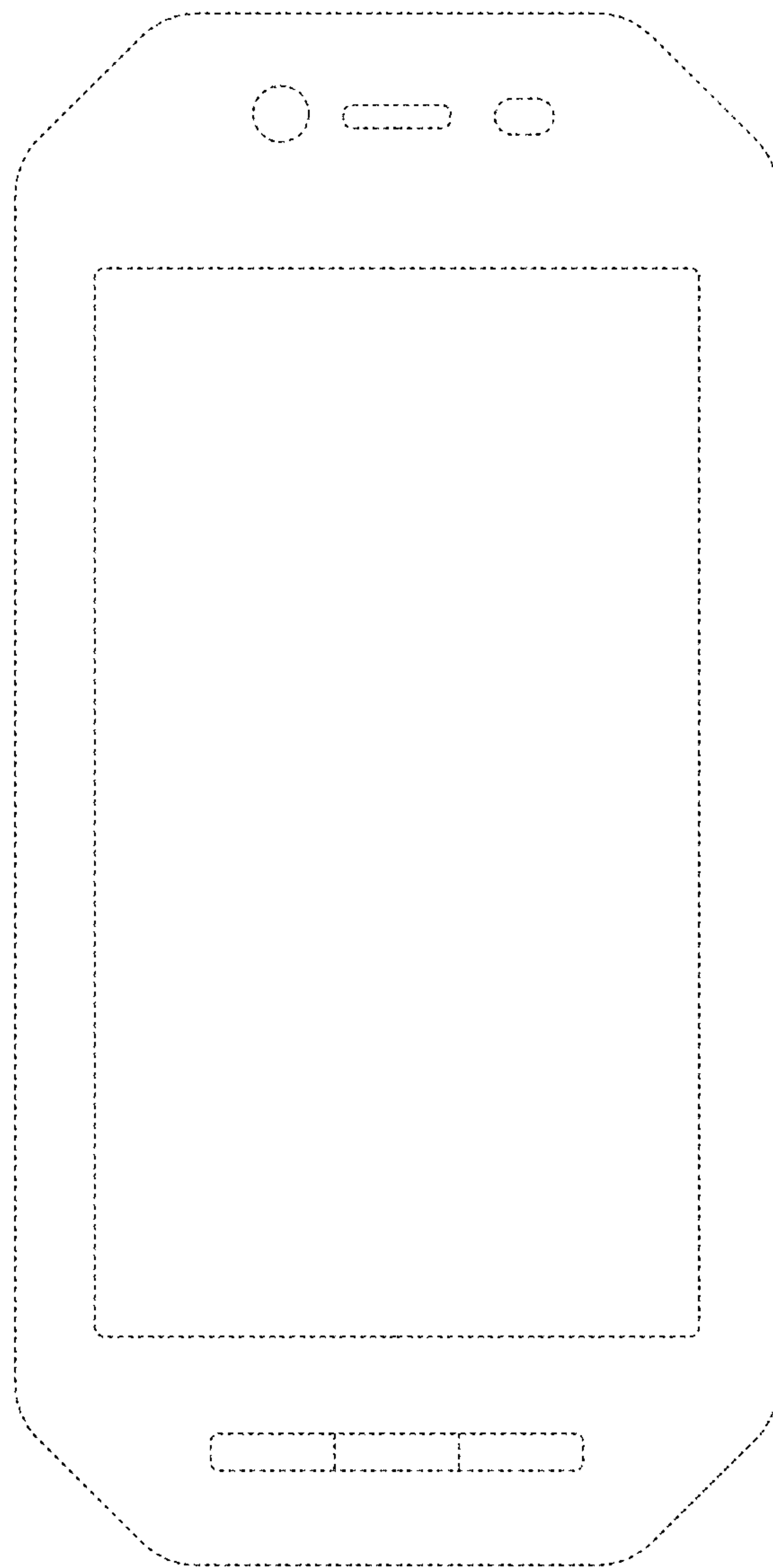


FIG. 5

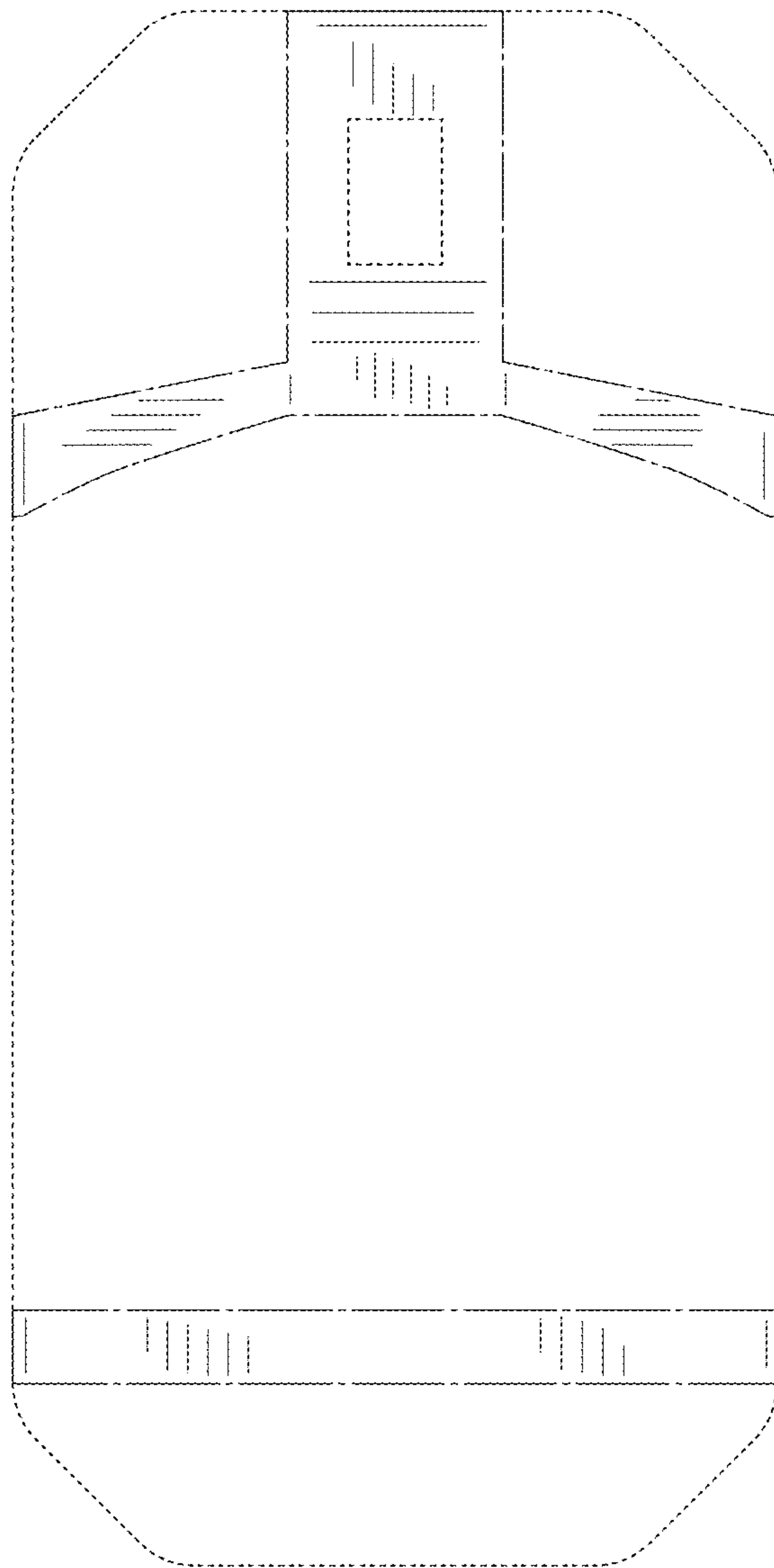


FIG. 6

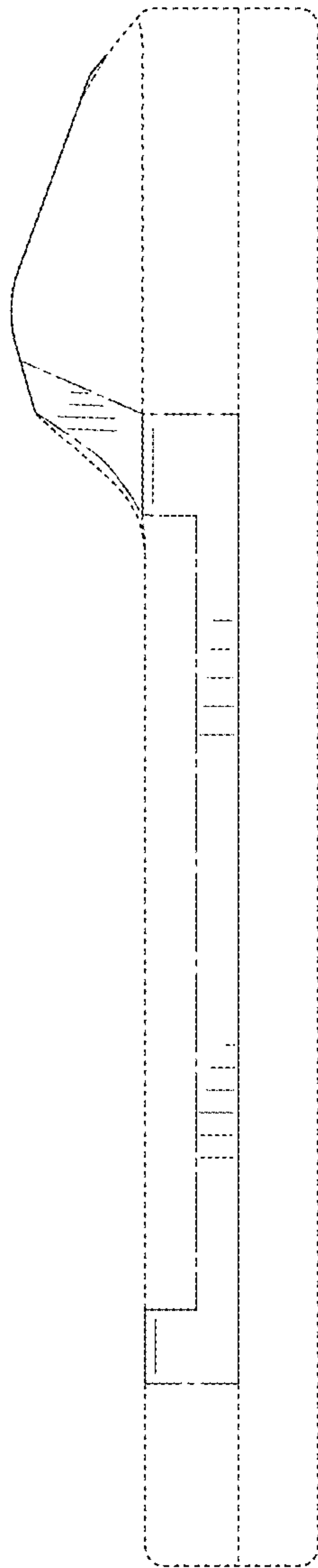


FIG. 7

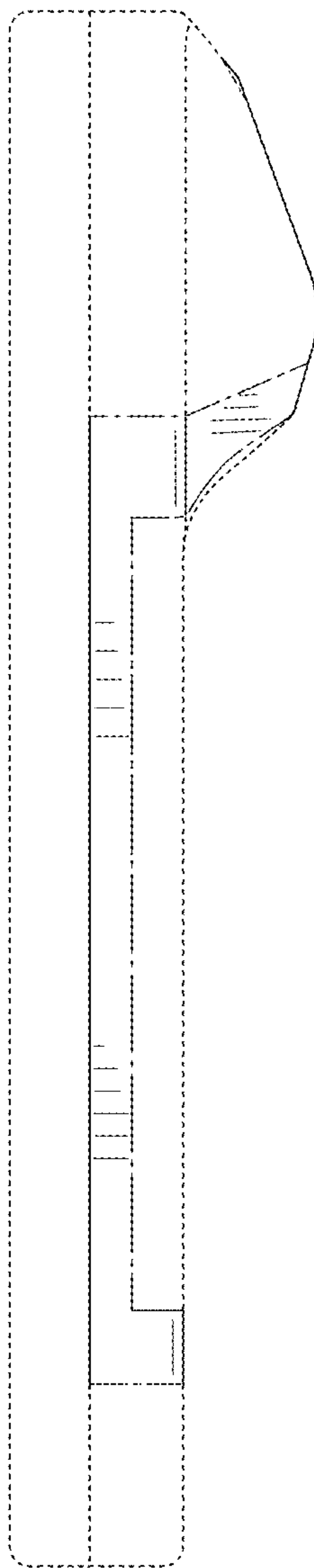


FIG. 8

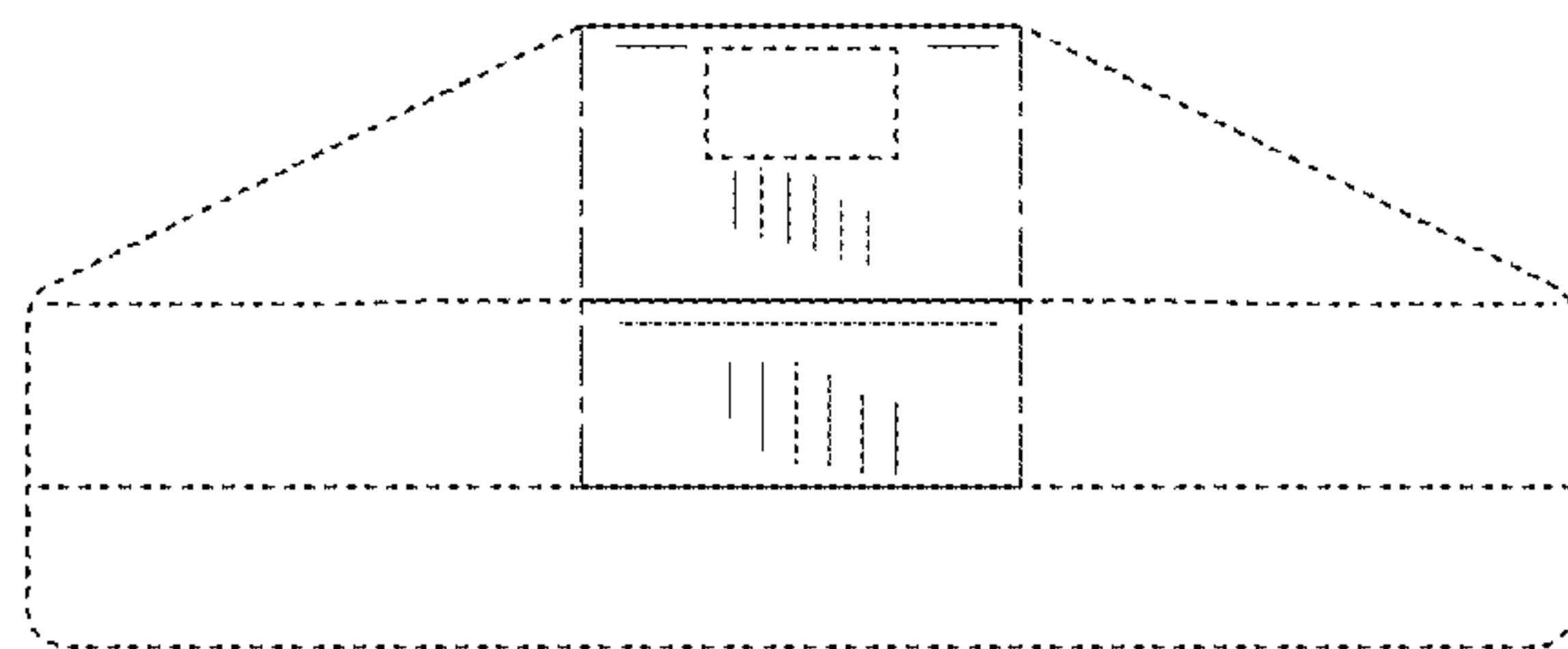


FIG. 9

