



US00D787508S

(12) **United States Design Patent** (10) **Patent No.:** **US D787,508 S**
Takiguchi (45) **Date of Patent:** **** May 23, 2017**

(54) **MOBILE TERMINAL**
(71) Applicant: **Panasonic Intellectual Property Management Co., Ltd., Osaka (JP)**
(72) Inventor: **Shinichi Takiguchi, Osaka (JP)**
(73) Assignee: **Panasonic Intellectual Property Management Co., Ltd., Osaka (JP)**
(**) Term: **15 Years**
(21) Appl. No.: **29/554,892**

D537,807 S * 3/2007 Griffin D14/155
D539,777 S * 4/2007 Pena Angarita D14/138 R
D543,201 S * 5/2007 Husgafvel D14/248
D544,462 S * 6/2007 Patel D14/155
D549,224 S * 8/2007 Fahlgren D14/248
D556,707 S * 12/2007 Fujii D14/126
D561,181 S * 2/2008 Di D14/248
D562,815 S * 2/2008 Di D14/248
D565,040 S * 3/2008 Travis D14/248
D582,914 S * 12/2008 Croley D14/341
D613,739 S * 4/2010 Wood D14/346
D626,550 S * 11/2010 Julien D14/341
D627,781 S * 11/2010 Wood D14/346
D653,233 S * 1/2012 Hofer D14/203.3
D657,358 S * 4/2012 Ferrari D14/341

(Continued)

(22) Filed: **Feb. 16, 2016**
(51) **LOC (10) Cl.** **14-02**
(52) **U.S. Cl.**
USPC **D14/341**
(58) **Field of Classification Search**
USPC D14/157, 247-258, 315-318, 341-347,
D14/420, 426, 129, 130, 496, 137, 138 R,
D14/138 AA, 138 C, 138 G, 203.1, 203.3,
D14/203.4, 203.7, 388, 389; D10/50, 65,
D10/104.1; D21/329, 330; D18/7
CPC G06F 3/04883; G06F 3/0486; G06F
3/04847; G06F 3/04845; G06F 3/04817;
G06F 3/0484; G06F 1/1613; G06F
1/1647; G06F 1/1641; H04M 1/0279;
H04M 1/0281; H04M 1/0283; A63H
33/3016
See application file for complete search history.

Primary Examiner — Barbara Fox
Assistant Examiner — Dana K Weiland
(74) *Attorney, Agent, or Firm* — Panasonic IP Management; Kerry S. Culpepper

(57) **CLAIM**

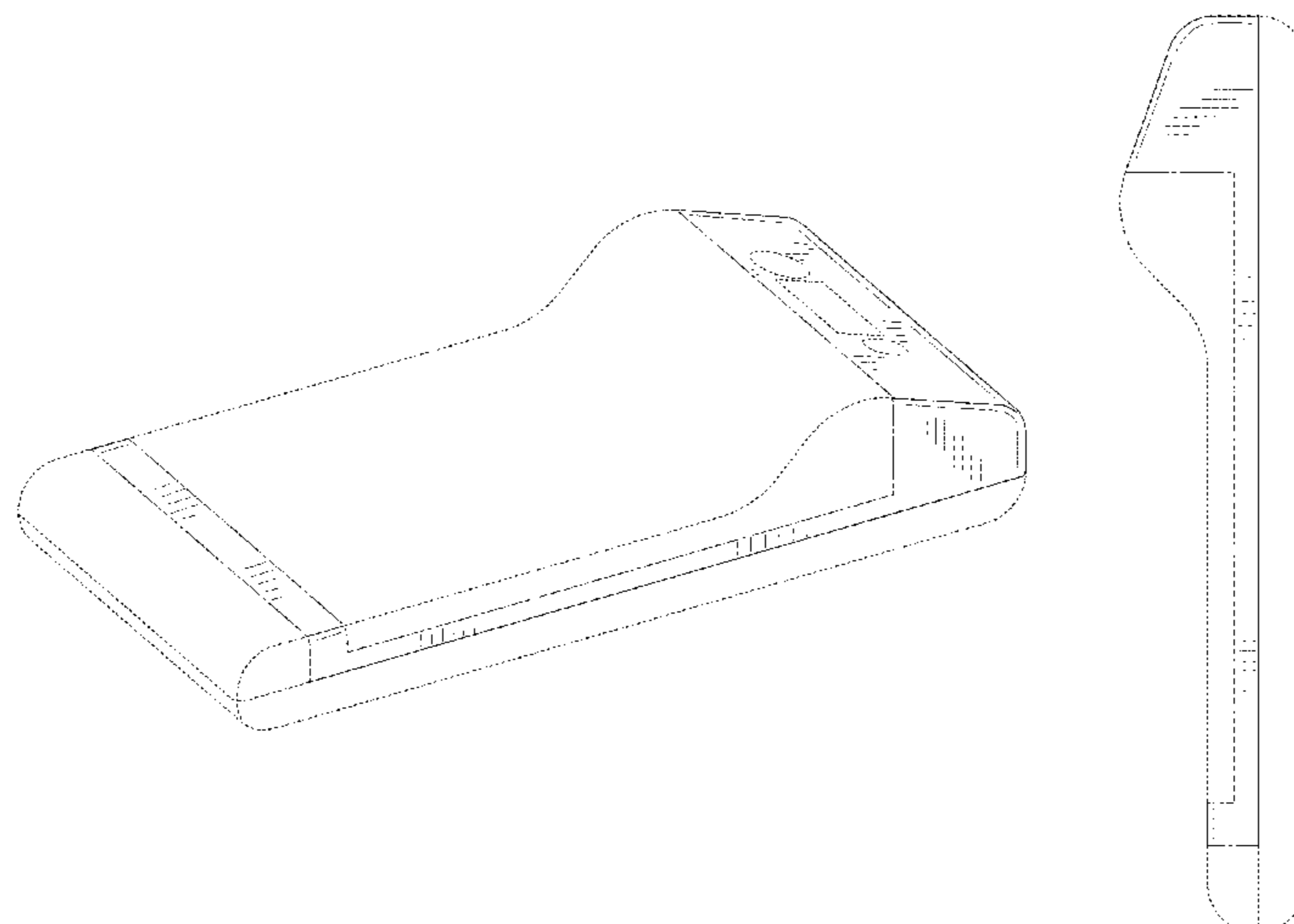
I claim the ornamental design for a mobile terminal, as shown and described.

DESCRIPTION

FIG. 1 is a front-left-top perspective view of a mobile terminal of the present invention;
FIG. 2 is a rear-right-top perspective view thereof;
FIG. 3 is a rear-left-bottom perspective view thereof;
FIG. 4 is a front view thereof;
FIG. 5 is a rear view thereof;
FIG. 6 is a left side view thereof;
FIG. 7 is a right side view thereof;
FIG. 8 is a top view thereof; and,
FIG. 9 is a bottom view thereof.
The broken lines shown in the drawings illustrate portions of the mobile terminal that form no part of the claimed design. Additionally, the unevenly broken lines in the drawings define the limits of the claimed design.

(56) **References Cited**
U.S. PATENT DOCUMENTS
D354,280 S * 1/1995 Fenton D14/137
D355,173 S * 2/1995 Fenton D14/137
D411,202 S * 6/1999 Flanagan, III D14/459
D427,587 S * 7/2000 Jacobsen D14/240
D429,226 S * 8/2000 Siddoway et al.
D477,030 S * 7/2003 Kolls D20/8
D499,722 S * 12/2004 Widiaman D14/248
D500,500 S * 1/2005 Chien D14/346

1 Claim, 9 Drawing Sheets



(56)

References Cited

U.S. PATENT DOCUMENTS

D664,517	S *	7/2012	Sutherland	D14/138	G
D675,180	S *	1/2013	Zhang	D14/138	G
D687,008	S *	7/2013	Sugioka	D14/138	AA
D687,406	S *	8/2013	Xia	D14/138	G
D692,420	S *	10/2013	McManigal	D14/341	
D714,286	S *	9/2014	Kim	D14/341	
D724,582	S *	3/2015	Kim	D14/341	
D726,136	S *	4/2015	Cho	D14/126	
D730,892	S *	6/2015	Lee	D14/138	G
D736,755	S *	8/2015	Kwak	D14/248	
D747,715	S	1/2016	Borgini et al.		
D764,458	S *	8/2016	Jobetto	D14/341	
D771,033	S *	11/2016	Jobetto	D14/341	
D773,455	S *	12/2016	Lee	D14/341	
D774,507	S *	12/2016	Borgini	D14/341	
2014/0240689	A1 *	8/2014	Arbouzov	G01S 17/023	
				356/4.01	
2015/0278557	A1 *	10/2015	Yasutomi	G06F 21/86	
				361/679.3	

* cited by examiner

FIG. 1

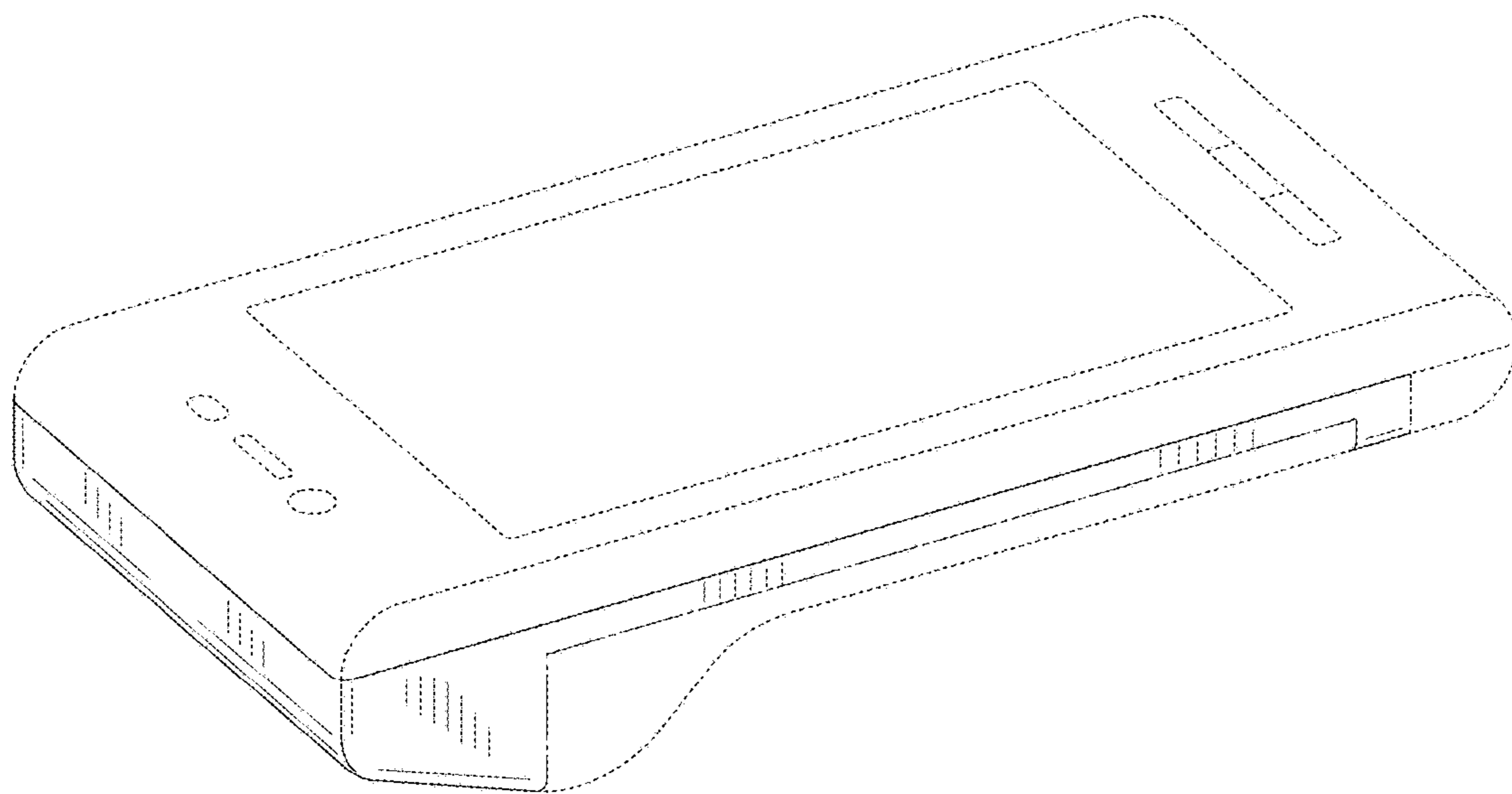


FIG. 2

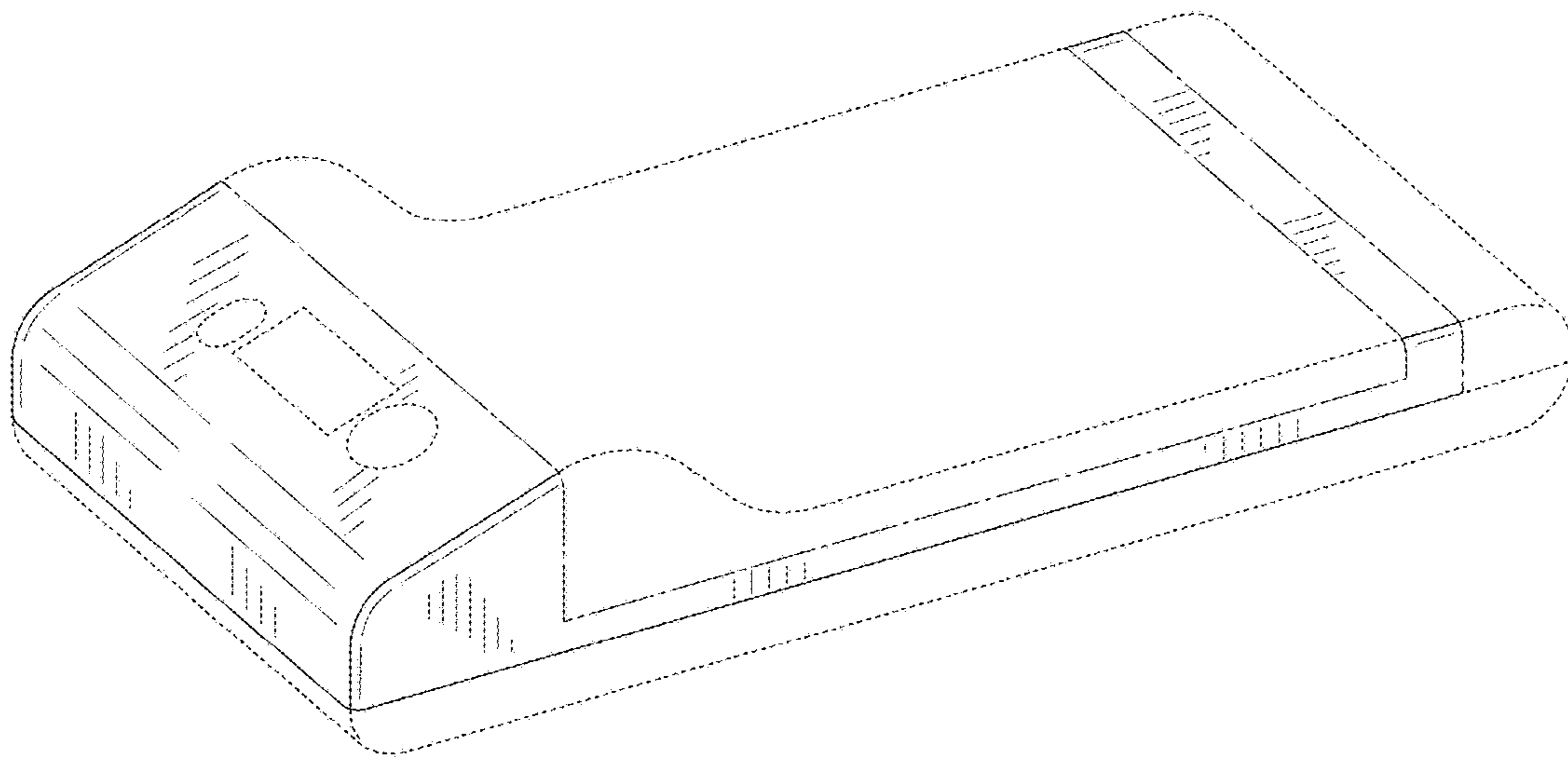


FIG. 3

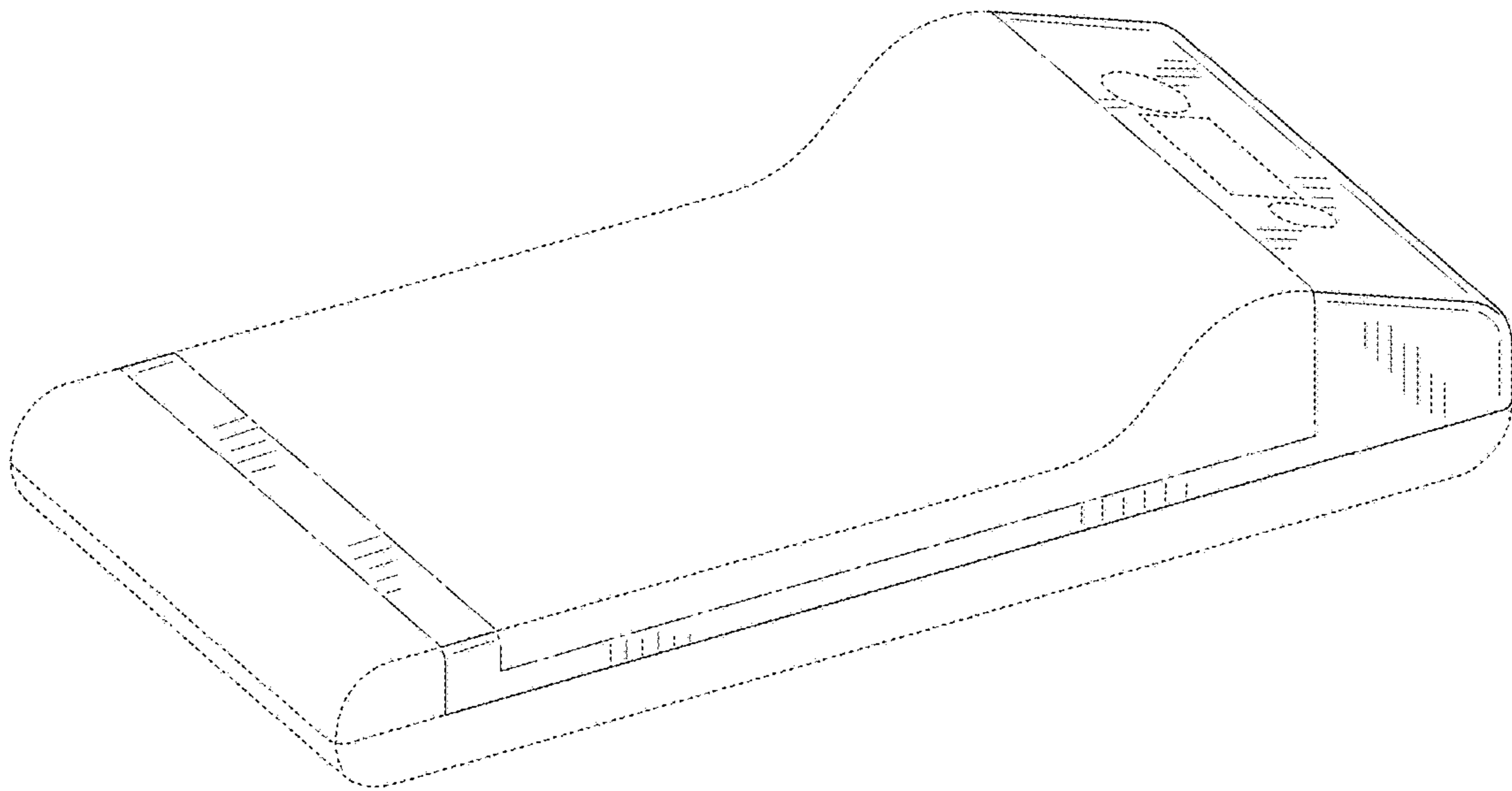


FIG. 4

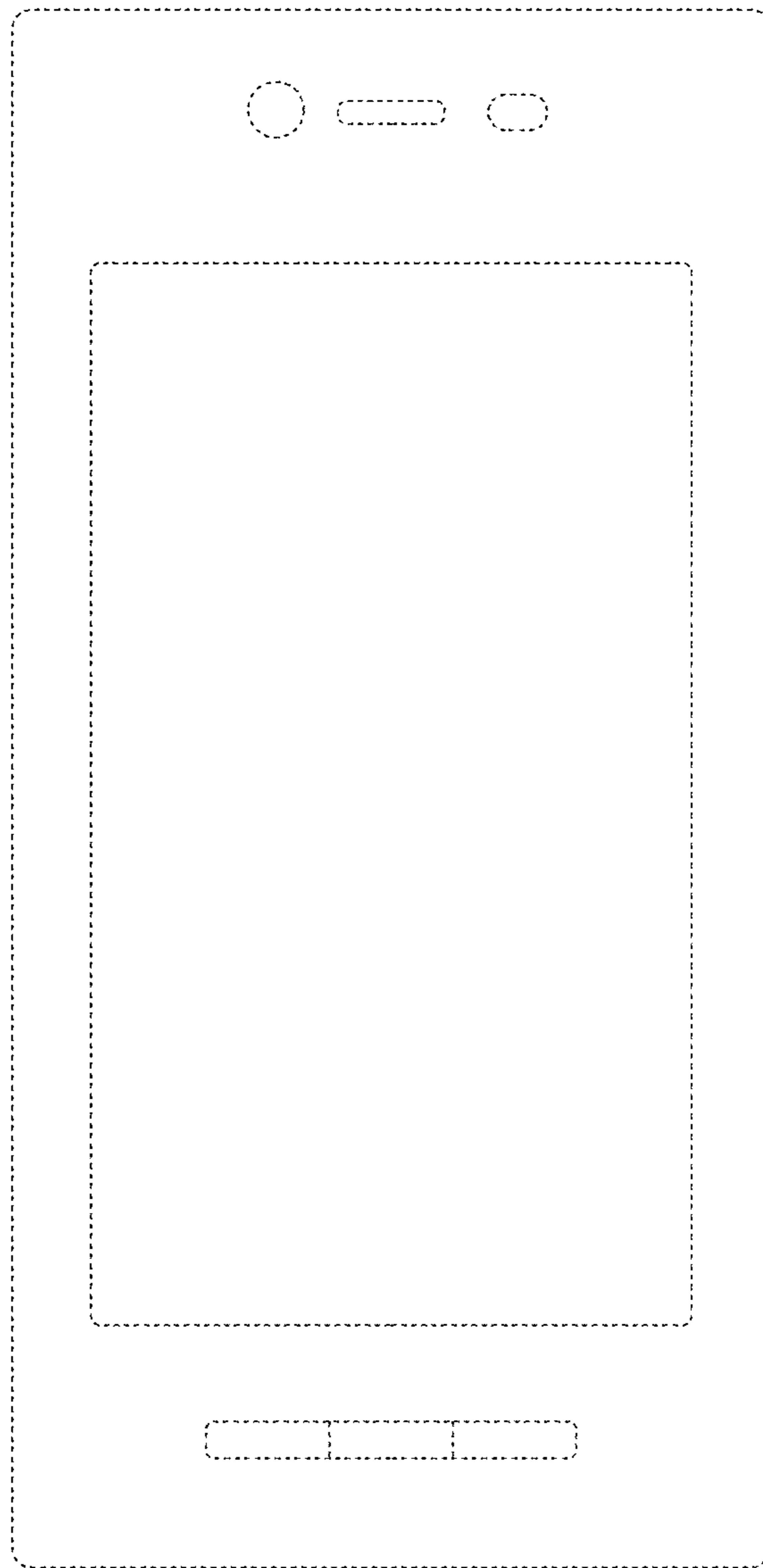


FIG. 5



FIG. 6

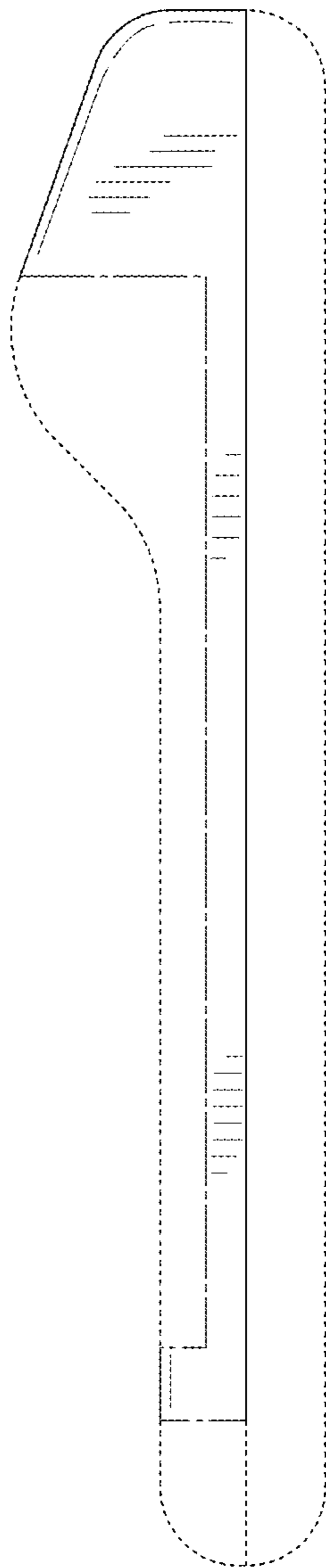


FIG. 7

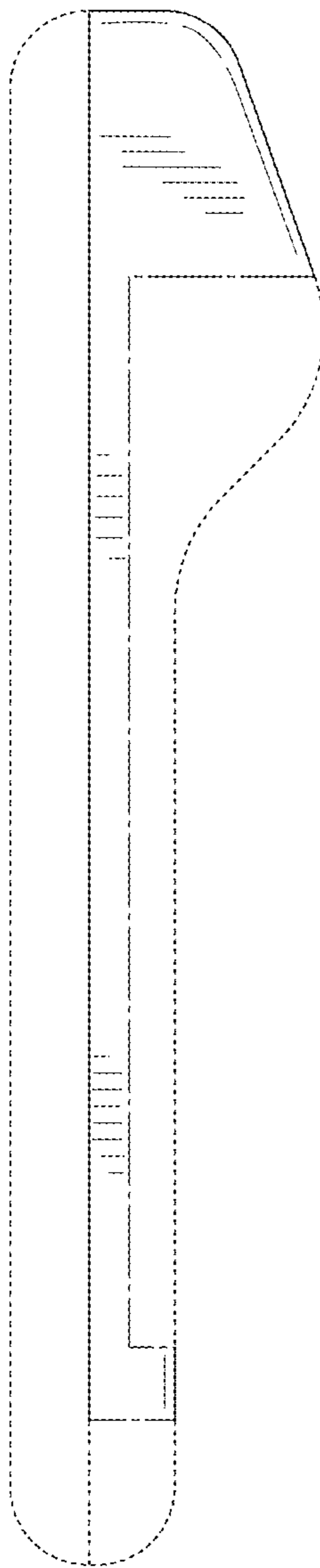


FIG. 8

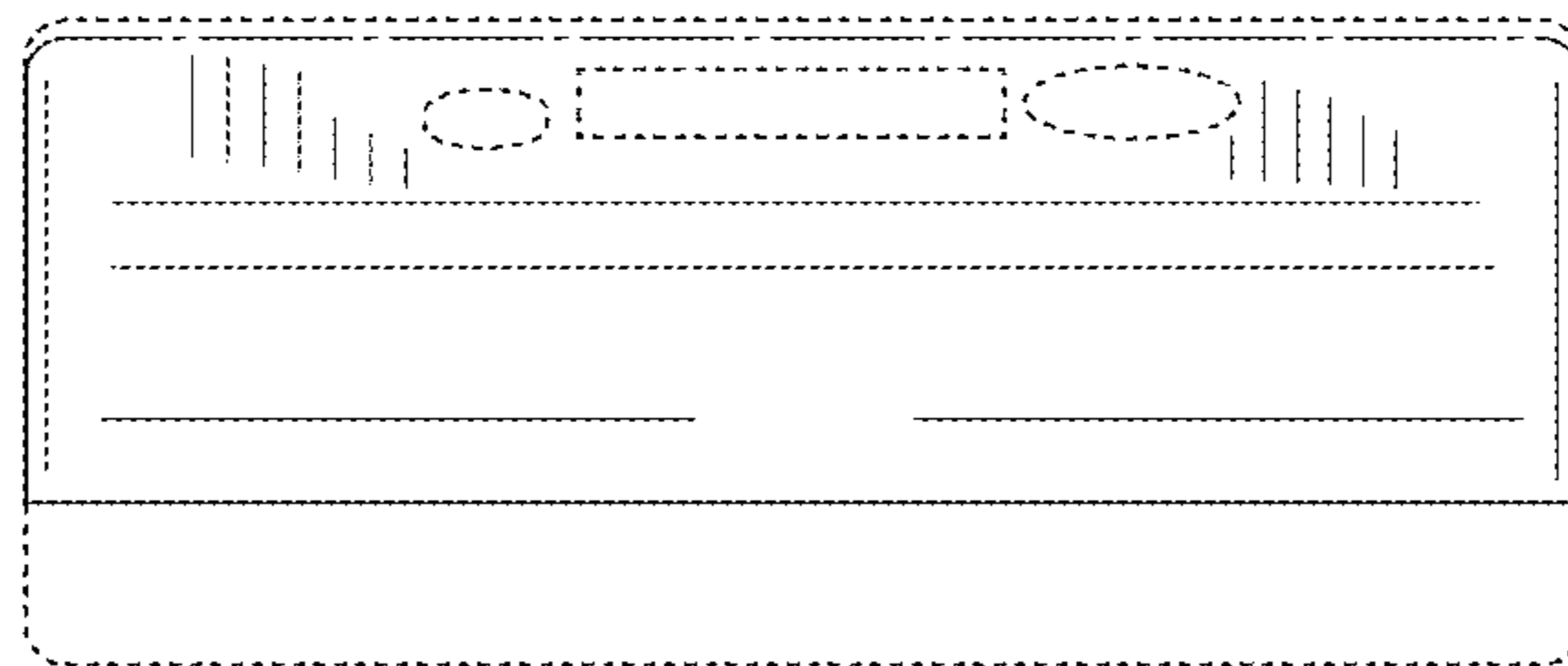


FIG. 9

