



US00D787506S

(12) **United States Design Patent** (10) **Patent No.:** **US D787,506 S**
Takiguchi (45) **Date of Patent:** **** May 23, 2017**

(54) **MOBILE TERMINAL**

(71) Applicant: **Panasonic Intellectual Property Management Co., Ltd., Osaka (JP)**

(72) Inventor: **Shinichi Takiguchi, Osaka (JP)**

(73) Assignee: **Panasonic Intellectual Property Management Co., Ltd., Osaka (JP)**

(**) Term: **15 Years**

(21) Appl. No.: **29/554,890**

(22) Filed: **Feb. 16, 2016**

(51) **LOC (10) Cl.** **14-02**

(52) **U.S. Cl.**
USPC **D14/341**

(58) **Field of Classification Search**
USPC D14/157, 247-258, 315-318, 341-347, D14/420, 426, 129, 130, 496, 137, 138 R, D14/138 AA, 138 C, 138 G, 203.1, 203.3, D14/203.4, 203.7, 388, 389; D10/50, 65, D10/104.1; D21/329, 330; D18/7
CPC G06F 3/04883; G06F 3/0486; G06F 3/04847; G06F 3/04845; G06F 3/04817; G06F 3/0484; G06F 1/1613; G06F 1/1647; G06F 1/1641; H04M 1/0279; H04M 1/0281; H04M 1/0283; A63H 33/3016

See application file for complete search history.

(56) **References Cited**

U.S. PATENT DOCUMENTS

D354,280 S *	1/1995	Fenton	D14/137
D355,173 S *	2/1995	Fenton	D14/137
D411,202 S *	6/1999	Flanagan, III	D14/459
D427,587 S *	7/2000	Jacobsen	D14/240
D429,226 S	8/2000	Siddoway et al.		
D477,030 S *	7/2003	Kolls	D20/8
D499,722 S *	12/2004	Widiaman	D14/248
D500,500 S *	1/2005	Chien	D14/346

D537,807 S *	3/2007	Griffin	D14/155
D539,777 S *	4/2007	Pena Angarita	D14/138 R
D543,201 S *	5/2007	Husgafvel	D14/248
D544,462 S *	6/2007	Patel	D14/155
D549,224 S *	8/2007	Fahlgren	D14/248
D556,707 S *	12/2007	Fujii	D14/126
D561,181 S *	2/2008	Di	D14/248
D562,815 S *	2/2008	Di	D14/248
D565,040 S *	3/2008	Travis	D14/248
D582,914 S *	12/2008	Croley	D14/341
D613,739 S *	4/2010	Wood	D14/346
D626,550 S *	11/2010	Julien	D14/341
D627,781 S *	11/2010	Wood	D14/346
D653,233 S *	1/2012	Hofer	D14/203.3
D657,358 S *	4/2012	Ferrari	D14/341

(Continued)

Primary Examiner — Barbara Fox

Assistant Examiner — Dana K Weiland

(74) *Attorney, Agent, or Firm* — Panasonic IP Management; Kerry S. Culpepper

(57) **CLAIM**

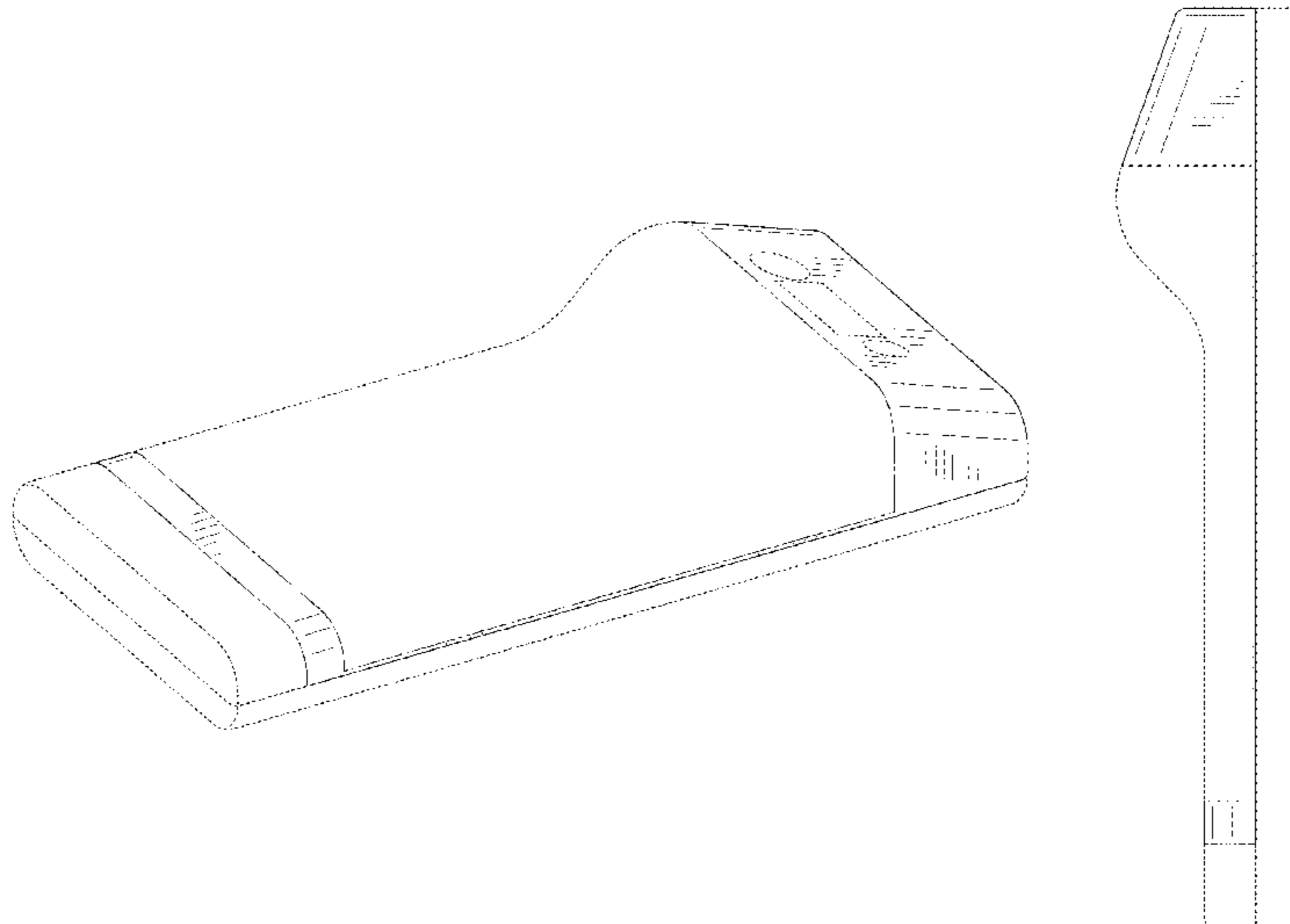
I claim the ornamental design for a mobile terminal, as shown and described.

DESCRIPTION

FIG. 1 is a front-left-top perspective view of a mobile terminal of the present invention;
FIG. 2 is a rear-right-top perspective view thereof;
FIG. 3 is a rear-left-bottom perspective view thereof;
FIG. 4 is a front view thereof;
FIG. 5 is a rear view thereof;
FIG. 6 is a left side view thereof;
FIG. 7 is a right side view thereof;
FIG. 8 is a top view thereof; and,
FIG. 9 is a bottom view thereof.

The broken lines shown in the drawings illustrate portions of the mobile terminal that form no part of the claimed design. Additionally, the unevenly broken lines in the drawings define the limits of the claimed design.

1 Claim, 9 Drawing Sheets



(56)

References Cited

U.S. PATENT DOCUMENTS

D664,517 S * 7/2012 Sutherland D14/138 G
D675,180 S * 1/2013 Zhang D14/138 G
D687,008 S * 7/2013 Sugioka D14/138 AA
D687,406 S * 8/2013 Xia D14/138 G
D692,420 S * 10/2013 McManigal D14/341
D714,286 S * 9/2014 Kim D14/341
D724,582 S * 3/2015 Kim D14/341
D726,136 S * 4/2015 Cho D14/126
D730,892 S * 6/2015 Lee D14/138 G
D736,755 S * 8/2015 Kwak D14/248
D747,715 S 1/2016 Borgini et al.
D764,458 S * 8/2016 Jobetto D14/341
D771,033 S * 11/2016 Jobetto D14/341
D773,455 S * 12/2016 Lee D14/341
D774,507 S * 12/2016 Borgini D14/341
2014/0240689 A1 * 8/2014 Arbouzov G01S 17/023
356/4.01
2015/0278557 A1 * 10/2015 Yasutomi G06F 21/86
361/679.3

* cited by examiner

FIG. 1

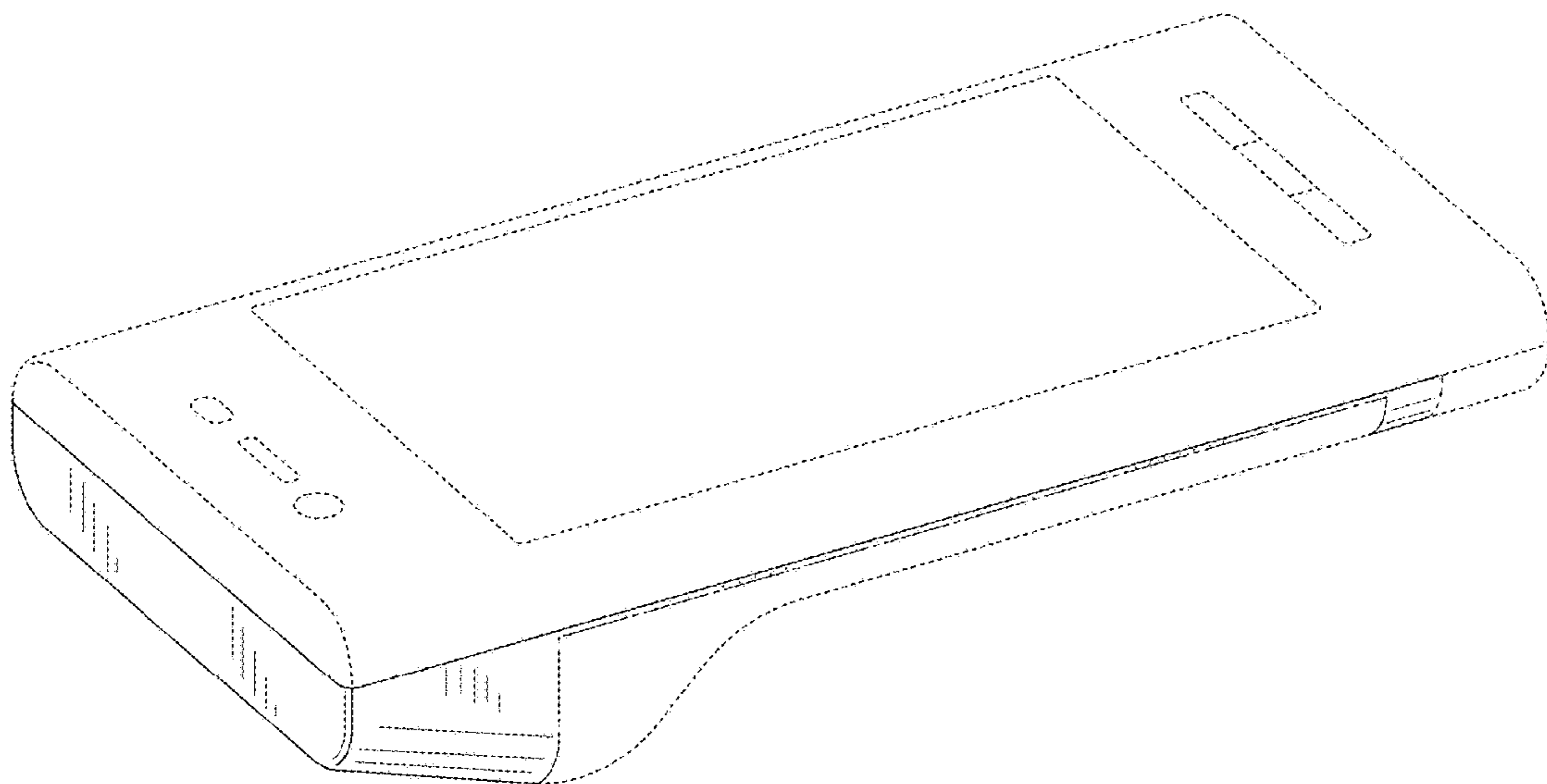


FIG. 2

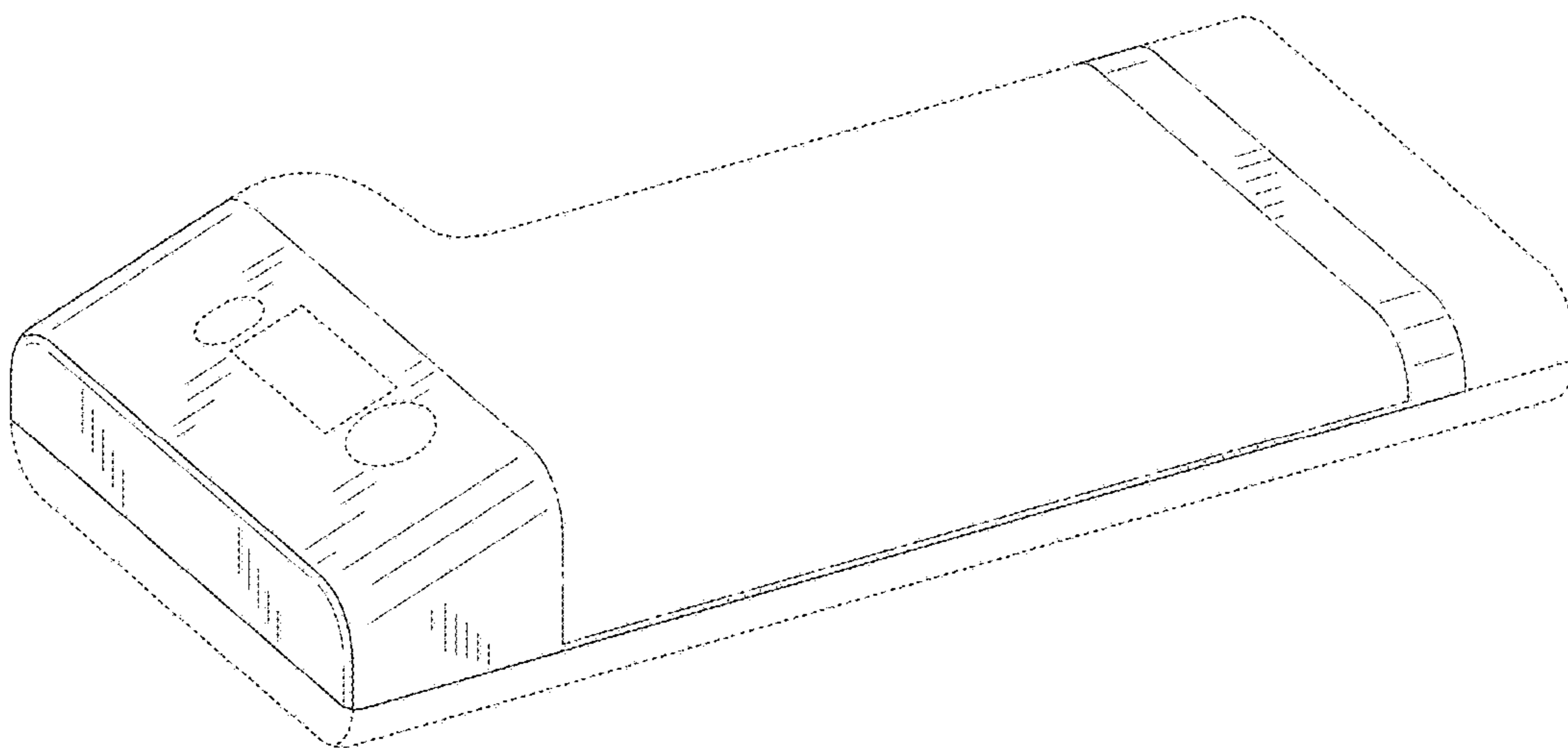


FIG. 3

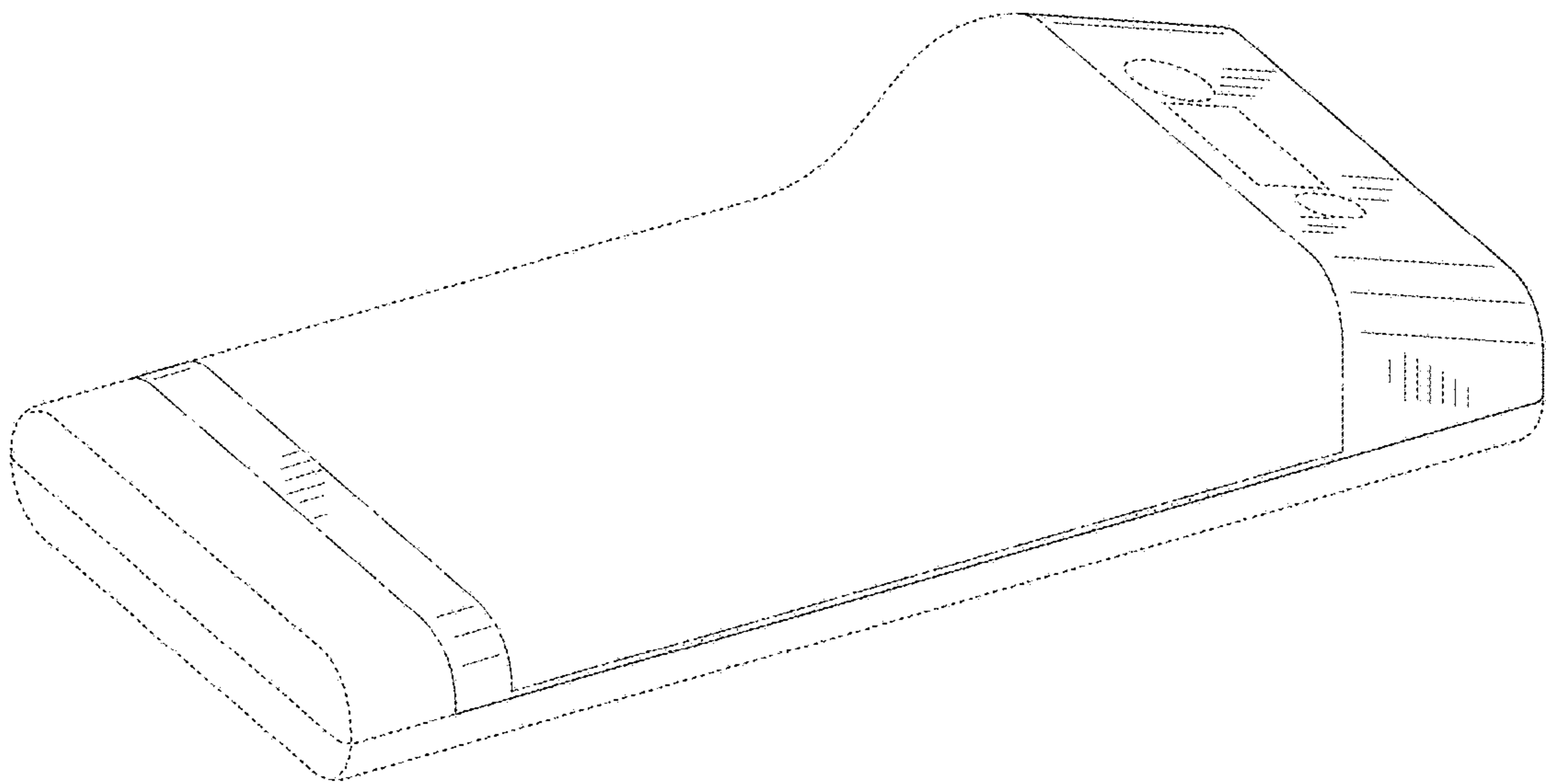


FIG. 4

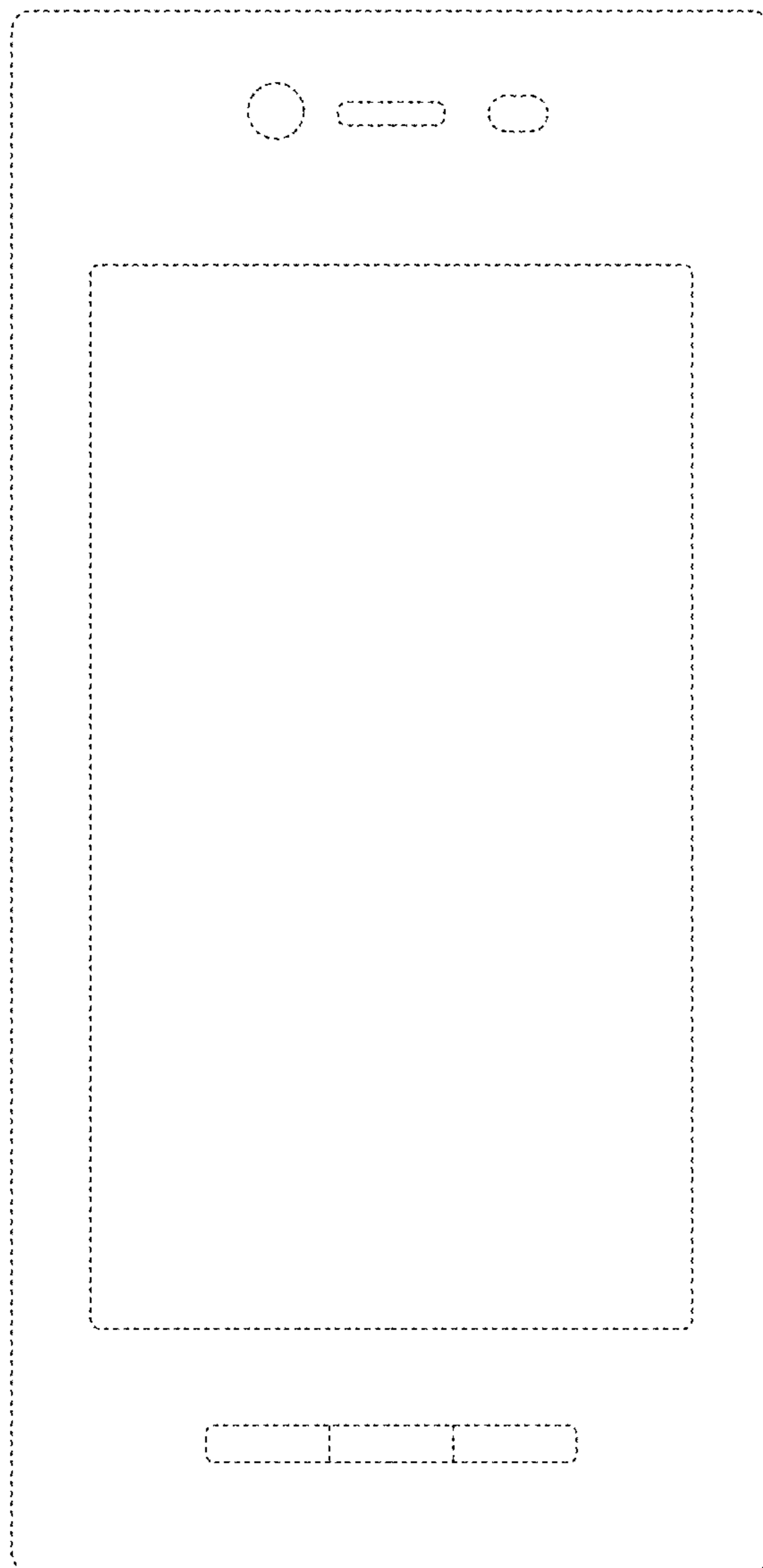


FIG. 5

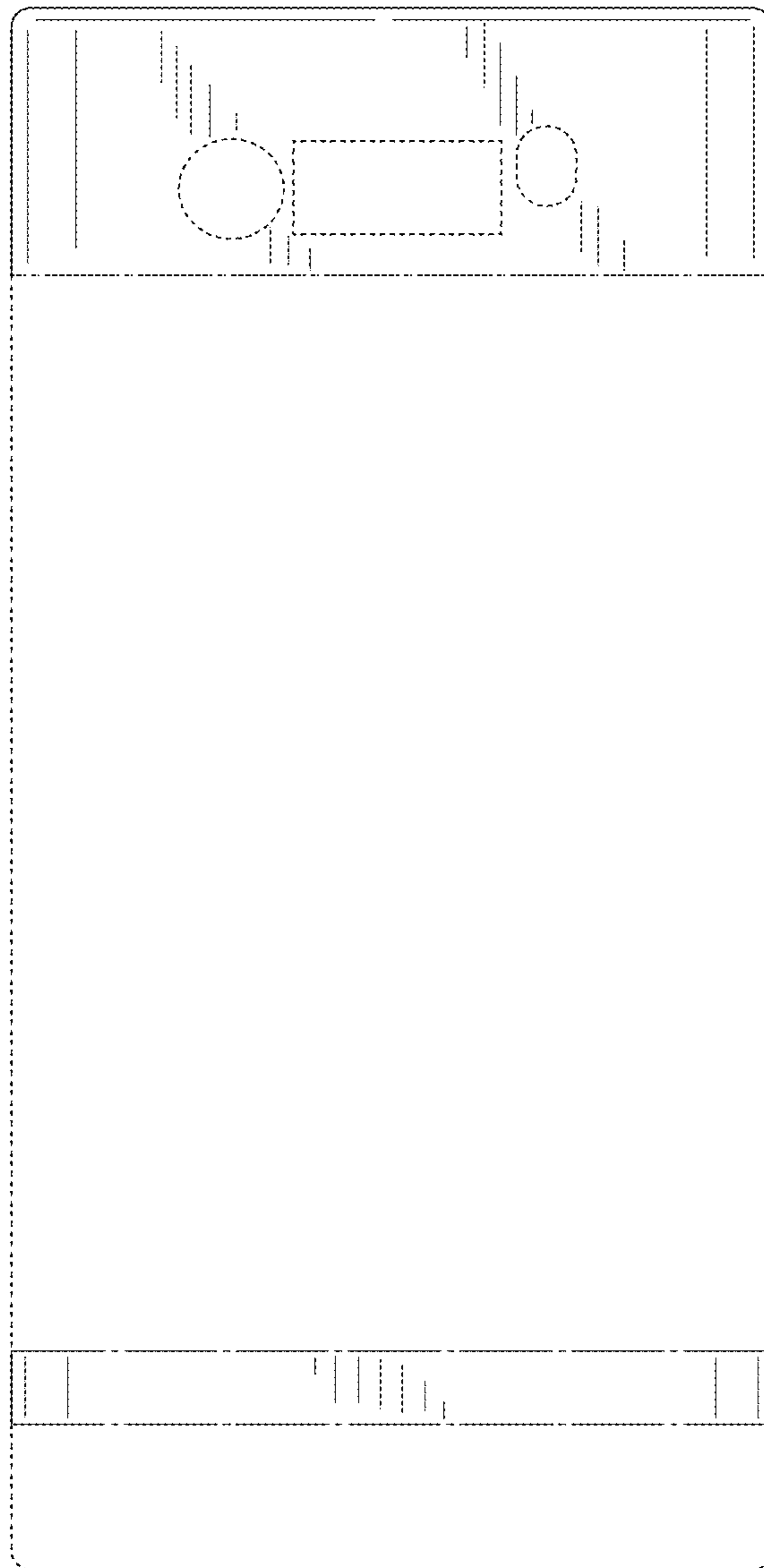


FIG. 6

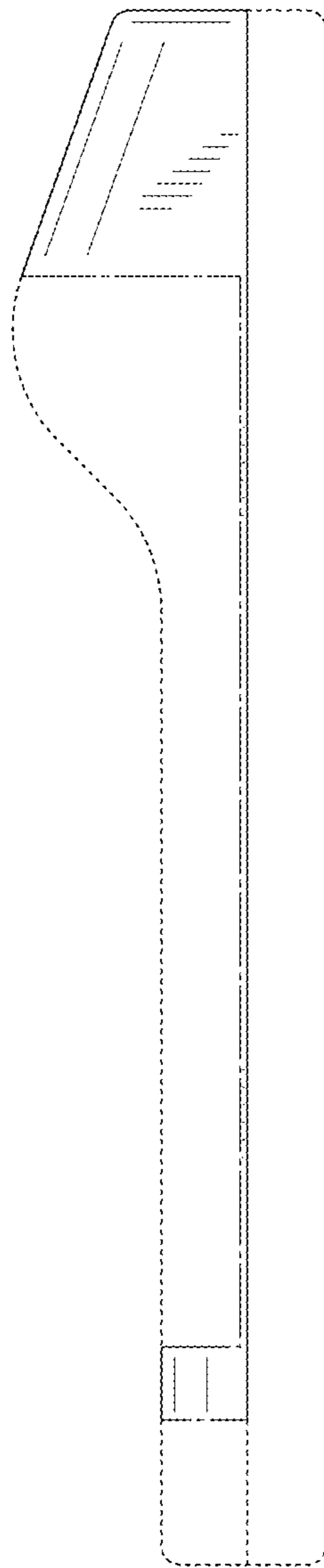


FIG. 7

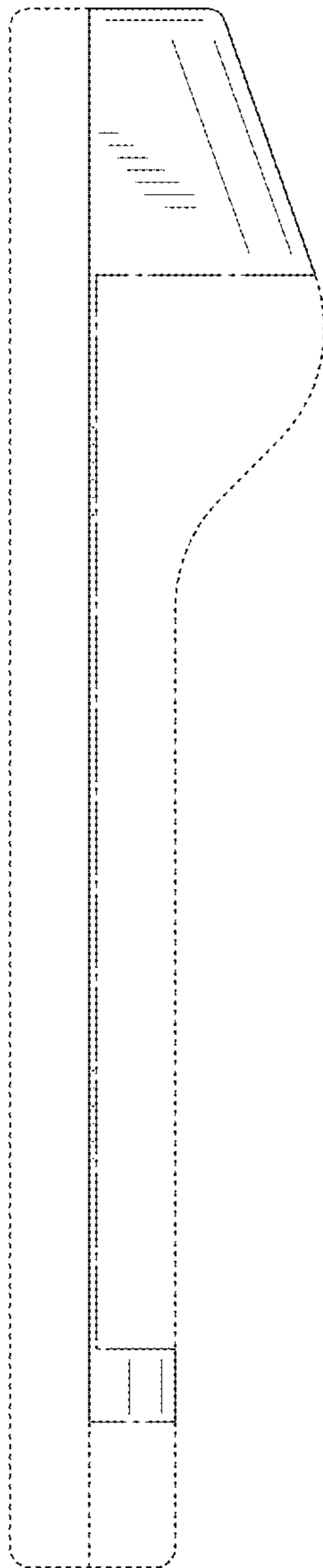


FIG. 8

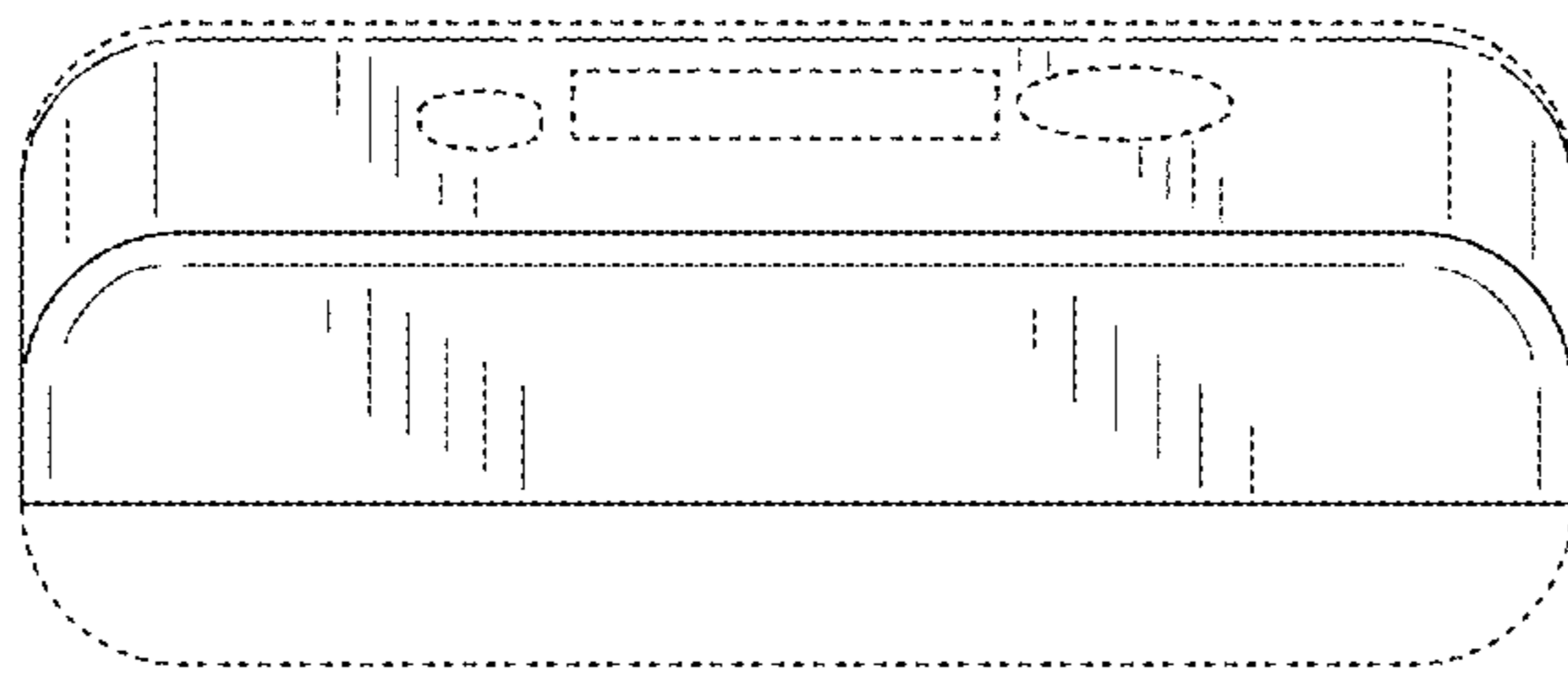


FIG. 9

