



US00D787505S

(12) **United States Design Patent**
Kim et al.

(10) **Patent No.:** **US D787,505 S**

(45) **Date of Patent:** **** May 23, 2017**

(54) **ELECTRONIC DEVICE**

H04M 1/72519; H04M 2201/38; H04M
2250/22; G06F 15/00

See application file for complete search history.

(71) Applicant: **Samsung Electronics Co., Ltd.**,
Suwon-si (KR)

(56) **References Cited**

(72) Inventors: **Sung-Kwon Kim**, Seoul (KR);
Kwan-Eui Hong, Yongin-si (KR);
Sang-Min Hyun, Seoul (KR)

U.S. PATENT DOCUMENTS

D356,120 S * 3/1995 Allen D21/335
D543,183 S * 5/2007 Cho D14/138 AA
D658,186 S * 4/2012 Akana D14/440
D713,848 S * 9/2014 Akana D14/440

(Continued)

(73) Assignee: **SAMSUNG ELECTRONICS CO., LTD.**,
Suwon-si (KR)

FOREIGN PATENT DOCUMENTS

(**) Term: **15 Years**

JP 1259802 1/2006
JP 1375534 12/2009

(Continued)

(21) Appl. No.: **29/541,259**

Primary Examiner — Garth Rademaker

Assistant Examiner — Katie Stofko Mroczka

(22) Filed: **Oct. 1, 2015**

(74) *Attorney, Agent, or Firm* — McAndrews Held &
Malloy, Ltd.

(30) **Foreign Application Priority Data**

Apr. 15, 2015 (KR) 30-2015-0019141

(51) **LOC (10) Cl.** **14-02**

(52) **U.S. Cl.**
USPC **D14/341**

(58) **Field of Classification Search**

USPC D14/341–347, 137, 138 R, 138 AA,
D14/138 C, 138 G, 496, 203.1, 203.3,
D14/203.4, 203.7, 129, 130, 147, 218,
D14/248, 389, 388, 426, 420, 440;
D10/65, 104.1; D18/6, 7; D21/324, 329,
D21/330; 455/556.1, 556.2, 566, 575.1,
455/90.3; 379/433.04, 433.01, 433.06,
379/916; 345/173, 901, 905;
361/679.26, 670.3, 679.55, 679.56
CPC H04M 1/00; H04M 11/066; H04M 1/2478;

(57) **CLAIM**

The ornamental design for an electronic device, as shown
and described.

DESCRIPTION

FIG. 1 is a front perspective view of our new design for an
electronic device in a first folded position;
FIG. 2 is a front view thereof;
FIG. 3 is a rear view thereof;
FIG. 4 is a left-side elevation view thereof;
FIG. 5 is a right-side elevation view thereof;
FIG. 6 is a top plan view thereof;
FIG. 7 is a bottom plan view thereof; and
FIG. 8 is a rear perspective view of the electronic device in
an unfolded position;
FIG. 9 is a top plan view of the electronic device in a second
folded position;
FIG. 10 is a top plan view of the electronic device in a third
folded position; and,

(Continued)

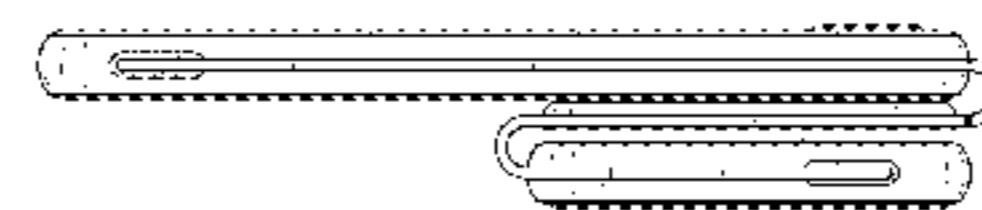
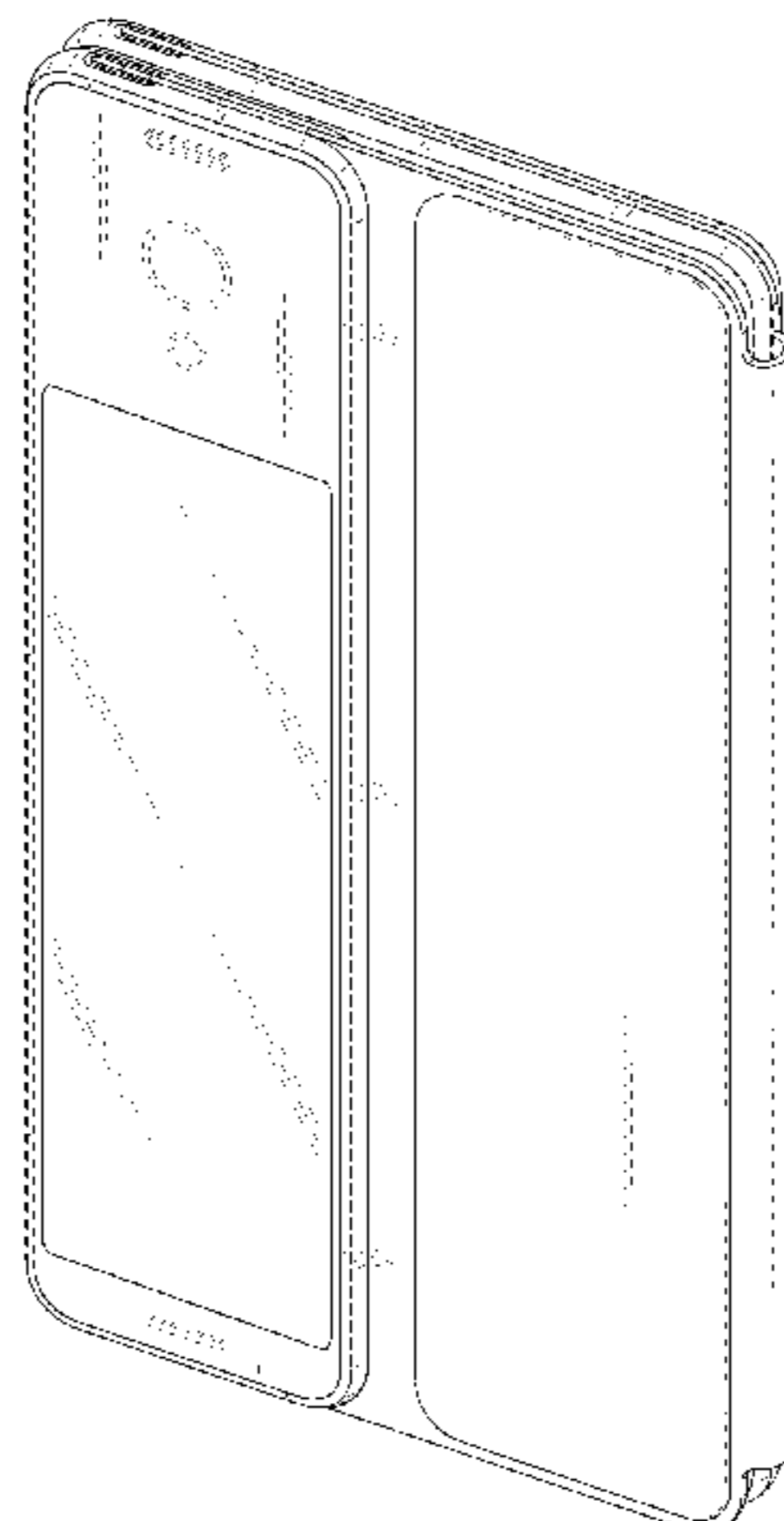


FIG. 11 is a top plan view of the electronic device in a fourth folded position.

The dashed broken lines in the figures represent portions of the electronic device that form no part of the claimed design.

1 Claim, 7 Drawing Sheets

(56)

References Cited

U.S. PATENT DOCUMENTS

D726,731 S *	4/2015	Kim	D14/440
D749,571 S *	2/2016	Park	D14/203.4
D749,573 S *	2/2016	Park	D14/203.4
D750,632 S *	3/2016	Diebel	D14/440
D755,766 S *	5/2016	Kim	D14/250
D756,341 S *	5/2016	Kim	D14/250
D761,267 S *	7/2016	Chen	D14/345
D763,839 S *	8/2016	Shin	D14/250
D765,086 S *	8/2016	Lee	D14/440
D765,630 S *	9/2016	Harata	D14/250
2013/0233762 A1 *	9/2013	Balaji	B65D 25/00 206/736

FOREIGN PATENT DOCUMENTS

KR	300420450	7/2006
KR	300756028	8/2014

* cited by examiner

FIG. 1

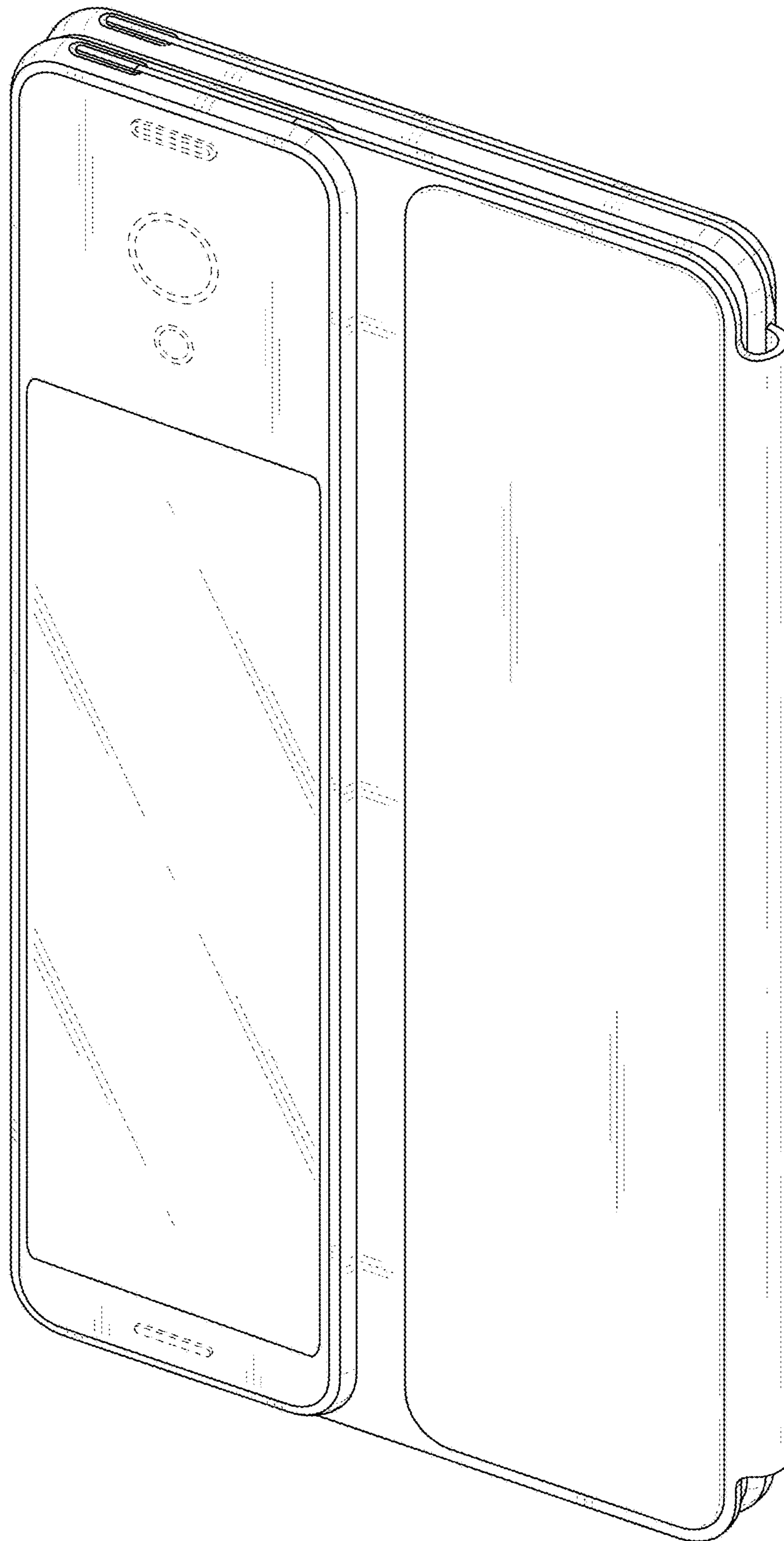


FIG. 2

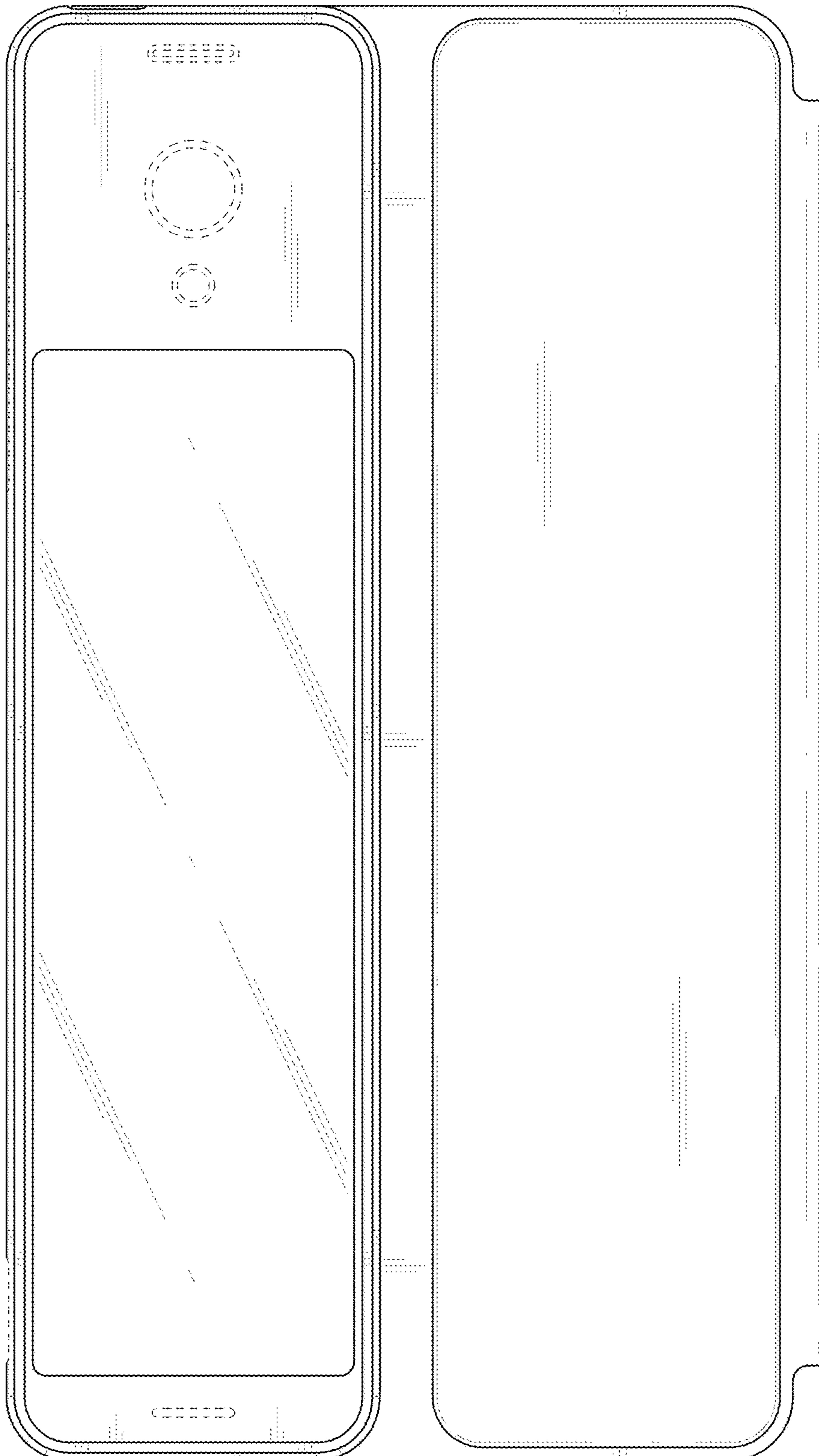


FIG. 3

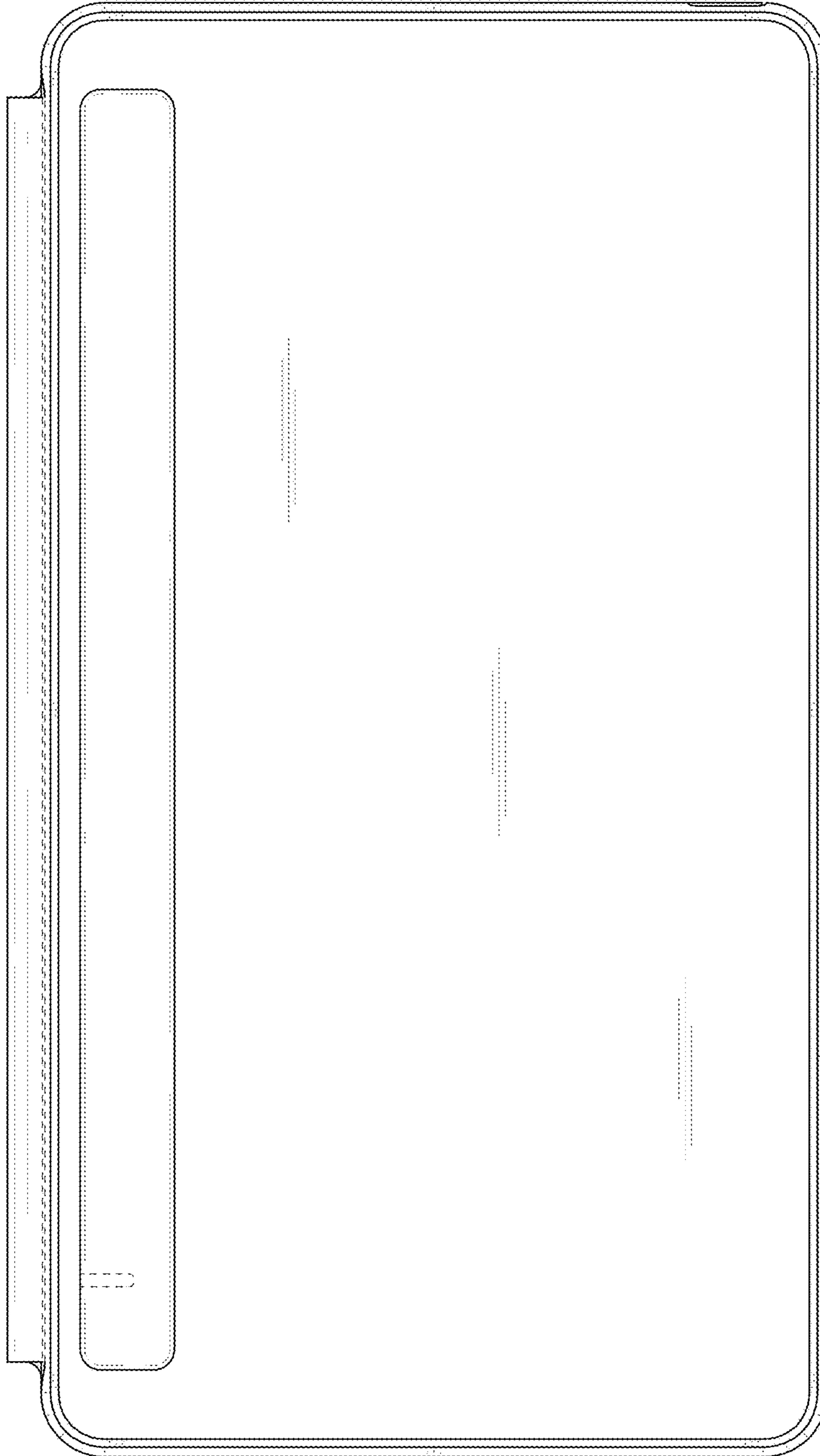


FIG. 4

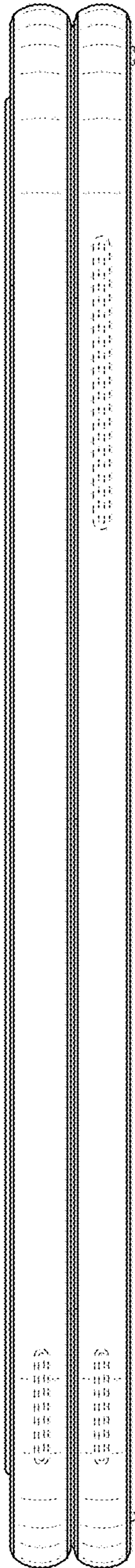


FIG. 5

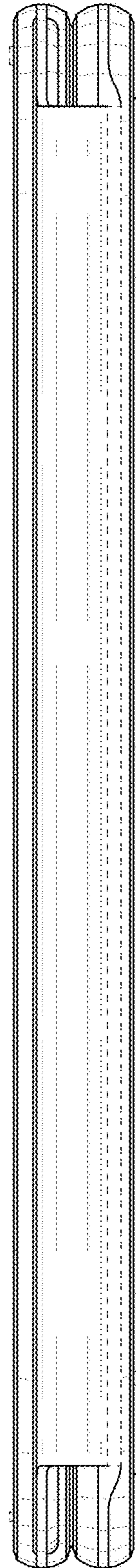


FIG. 6

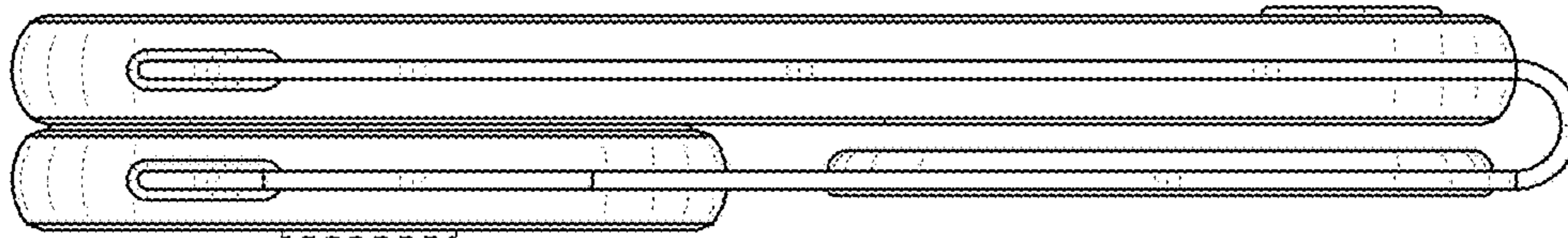


FIG. 7

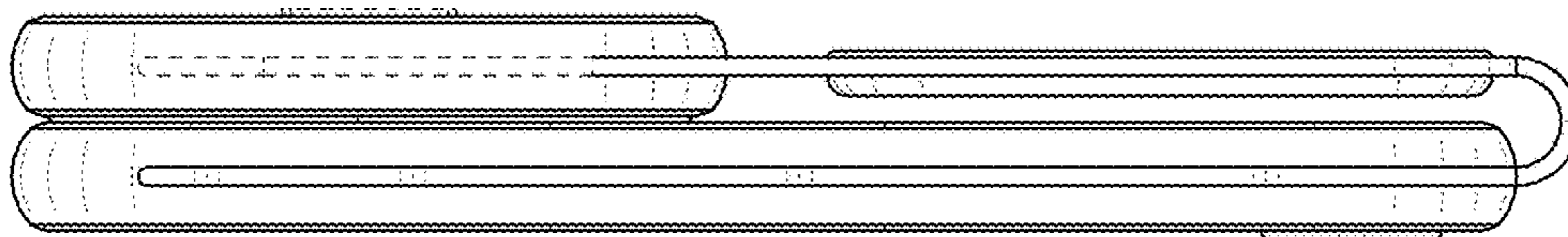


FIG. 8

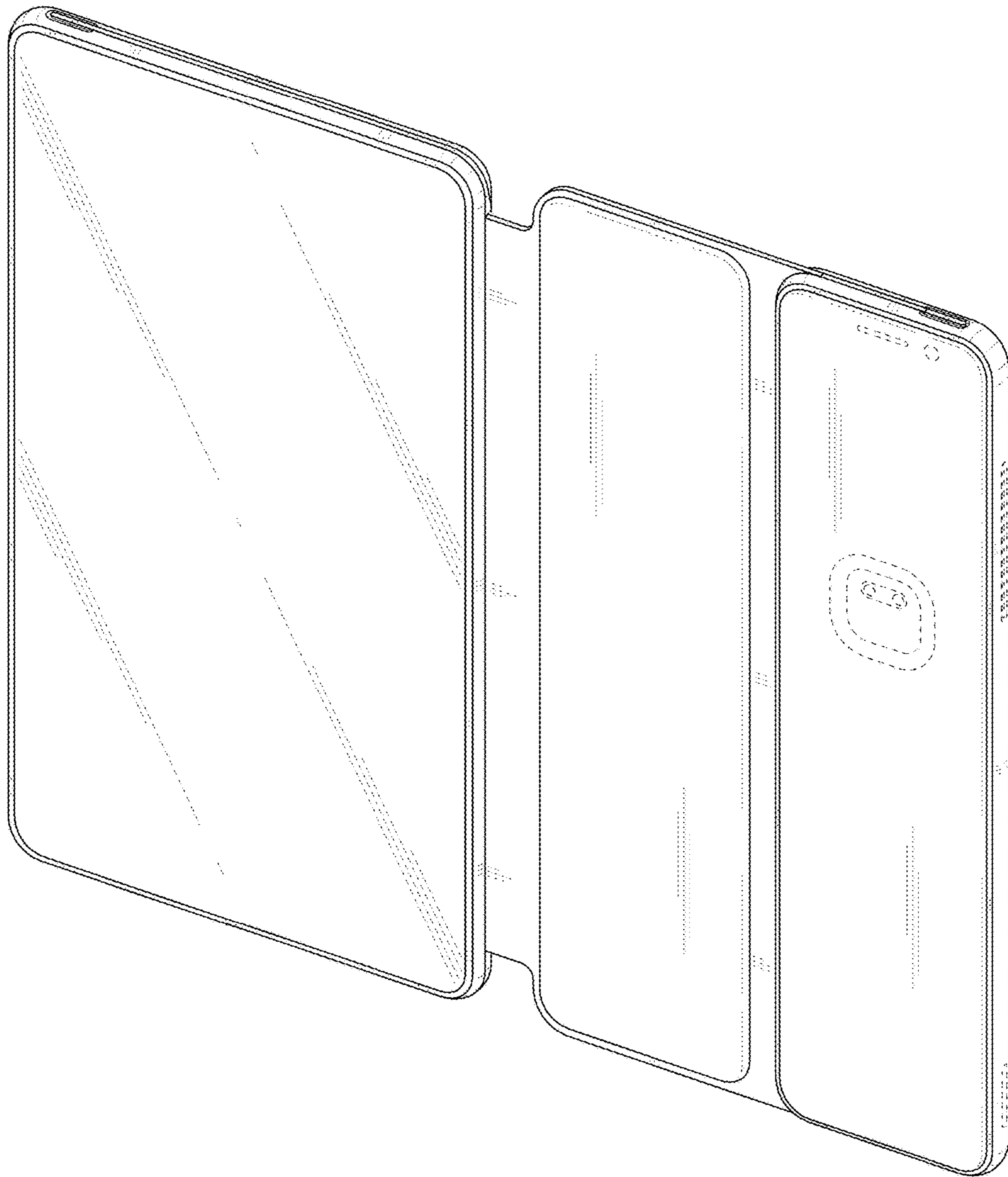


FIG. 9

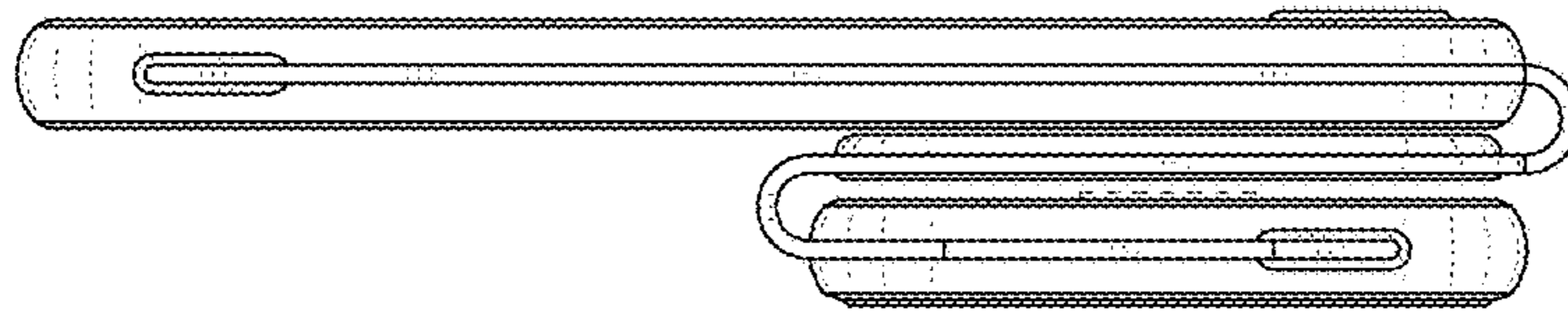


FIG. 10

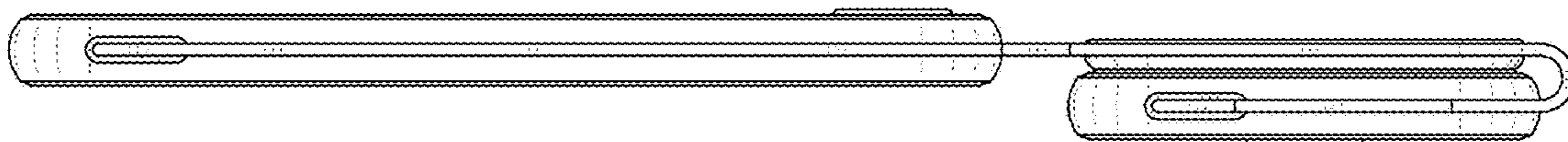


FIG. 11

