



US00D787503S

(12) **United States Design Patent** (10) **Patent No.:** **US D787,503 S**  
**Bai et al.** (45) **Date of Patent:** **\*\* May 23, 2017**

(54) **NOTEBOOK COMPUTER**

(56) **References Cited**

(71) Applicants: **Yun Bai**, Taipei (TW); **Ming-Chung Liu**, Taipei (TW); **Wang-Hung Yeh**, Taipei (TW); **Yu-Wen Cheng**, Taipei (TW); **Yu-Ning Chang**, Taipei (TW); **Hsin-Chieh Fang**, Taipei (TW)

U.S. PATENT DOCUMENTS

6,067,224 A \* 5/2000 Nobuchi ..... G06F 1/1688  
361/679.21  
D426,543 S \* 6/2000 Oross ..... D14/330  
7,916,889 B2 \* 3/2011 Takakusaki ..... G06F 1/1616  
361/679.09  
2005/0069159 A1 \* 3/2005 Nakazato ..... G06F 1/1616  
381/306  
2007/0166019 A1 \* 7/2007 Kitahara ..... G06F 1/1616  
396/51  
2008/0285218 A1 \* 11/2008 Iijima ..... G06F 1/1616  
361/679.08

(72) Inventors: **Yun Bai**, Taipei (TW); **Ming-Chung Liu**, Taipei (TW); **Wang-Hung Yeh**, Taipei (TW); **Yu-Wen Cheng**, Taipei (TW); **Yu-Ning Chang**, Taipei (TW); **Hsin-Chieh Fang**, Taipei (TW)

\* cited by examiner

(73) Assignee: **COMPAL ELECTRONICS, INC.**, Taipei (TW)

*Primary Examiner* — Freda S Nunn

(\*\*) Term: **15 Years**

(74) *Attorney, Agent, or Firm* — Jianq Chyun IP Office

(21) Appl. No.: **29/555,373**

(57) **CLAIM**

(22) Filed: **Feb. 22, 2016**

The ornamental design for a notebook computer, as shown and described.

(51) **LOC (10) Cl.** ..... **14-02**

**DESCRIPTION**

(52) **U.S. Cl.**

USPC ..... **D14/315**

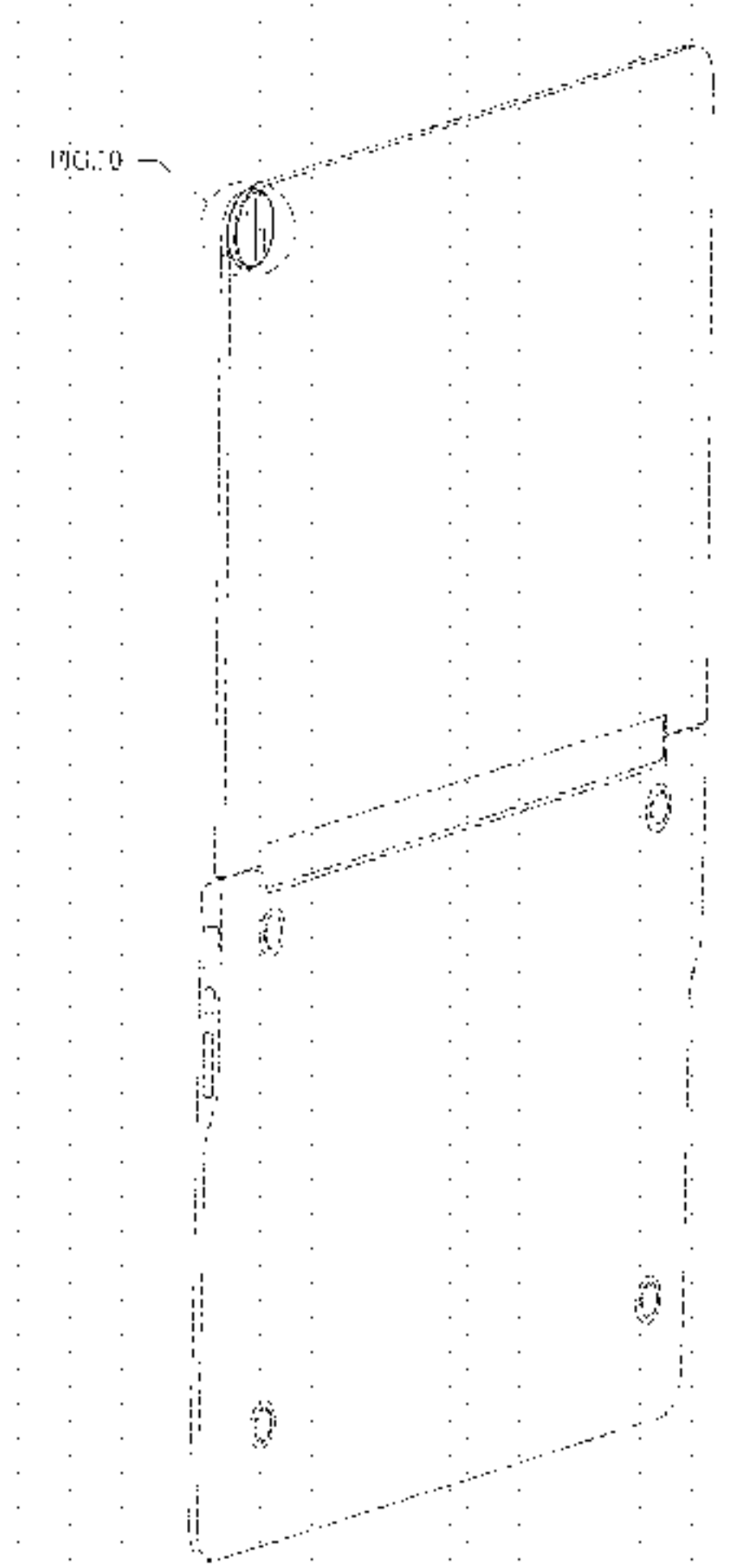
(58) **Field of Classification Search**

USPC .... D14/315–327, 172, 204, 209.1, 210, 214, D14/215, 221, 261; D18/1, 2, 7, 11; 235/145 A, 145 R; 341/22, 23; 345/104, 345/156, 168, 169, 173; 361/679.08, 361/679.09, 679.11, 679.26, 679.27  
CPC ..... G06F 1/16; G06F 1/1616; G06F 1/1626; G06F 1/1632; G06F 1/1613; G06F 1/1601; G06F 1/1618; G06F 1/162; G06F 1/166; G06F 1/1654; G06F 1/1681; G06F 1/1637; G06F 1/1688; G06F 1/1656; H01R 35/02; H03M 11/00; G09B 13/04; H03K 17/94; G09G 5/00; F16M 11/10; H05K 5/00; H05K 1/16; H04M 1/0237; H04R 1/02; H04R 5/02; H04B 1/00

See application file for complete search history.

FIG. 1 is a perspective view of a notebook computer showing our new design;  
FIG. 2 is an another perspective view thereof;  
FIG. 3 is a front view thereof;  
FIG. 4 is a rear view thereof;  
FIG. 5 is a left side view thereof;  
FIG. 6 is a right side view thereof;  
FIG. 7 is a top view thereof;  
FIG. 8 is a bottom view thereof;  
FIG. 9 is an enlarged view of an indicated portion of FIG. 1; and,  
FIG. 10 is an enlarged view of an indicated portion of FIG. 2.

(Continued)



The broken line showing of portions of the notebook computer is for the purpose of illustrating unclaimed portions of the notebook computer and forms no part of the claimed design.

**1 Claim, 8 Drawing Sheets**

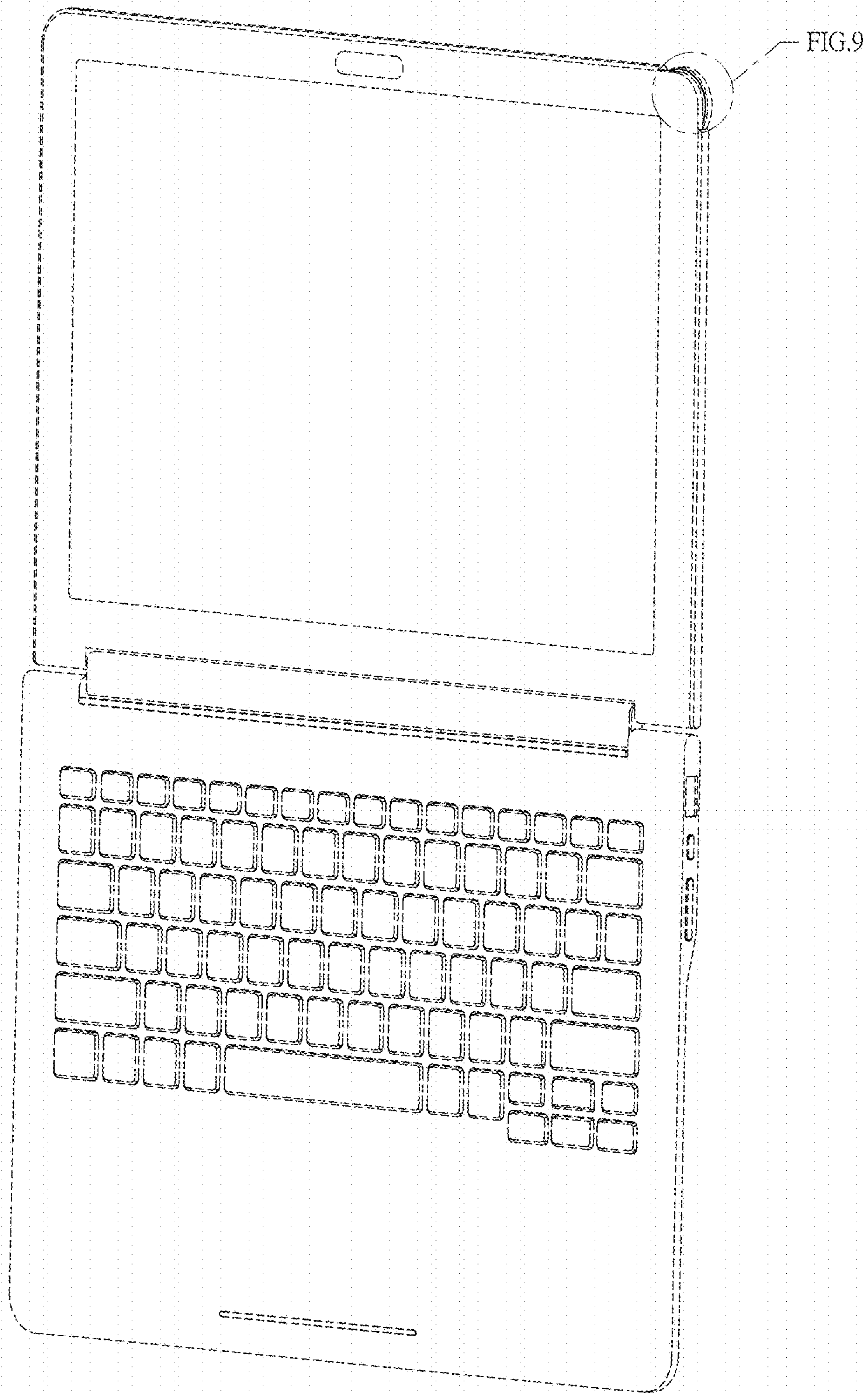


FIG. 1

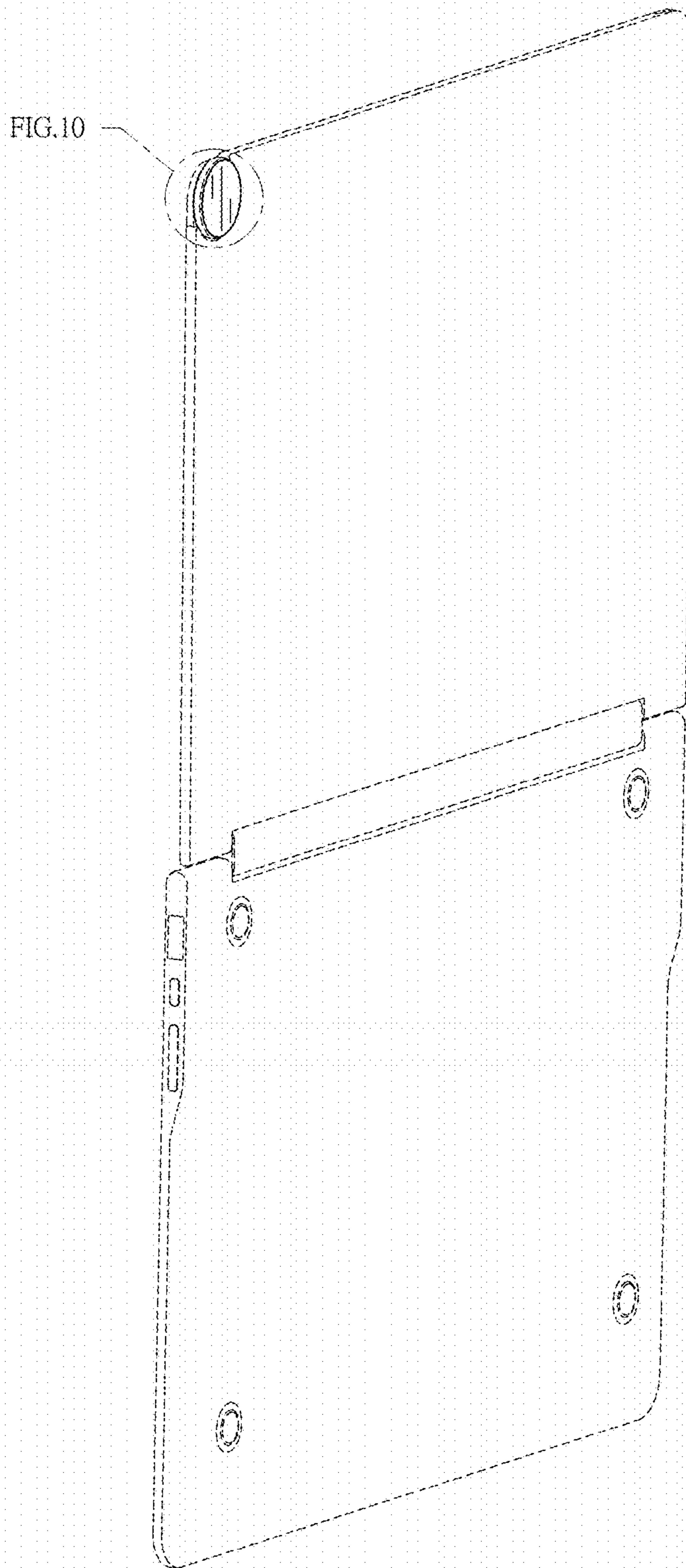


FIG. 2



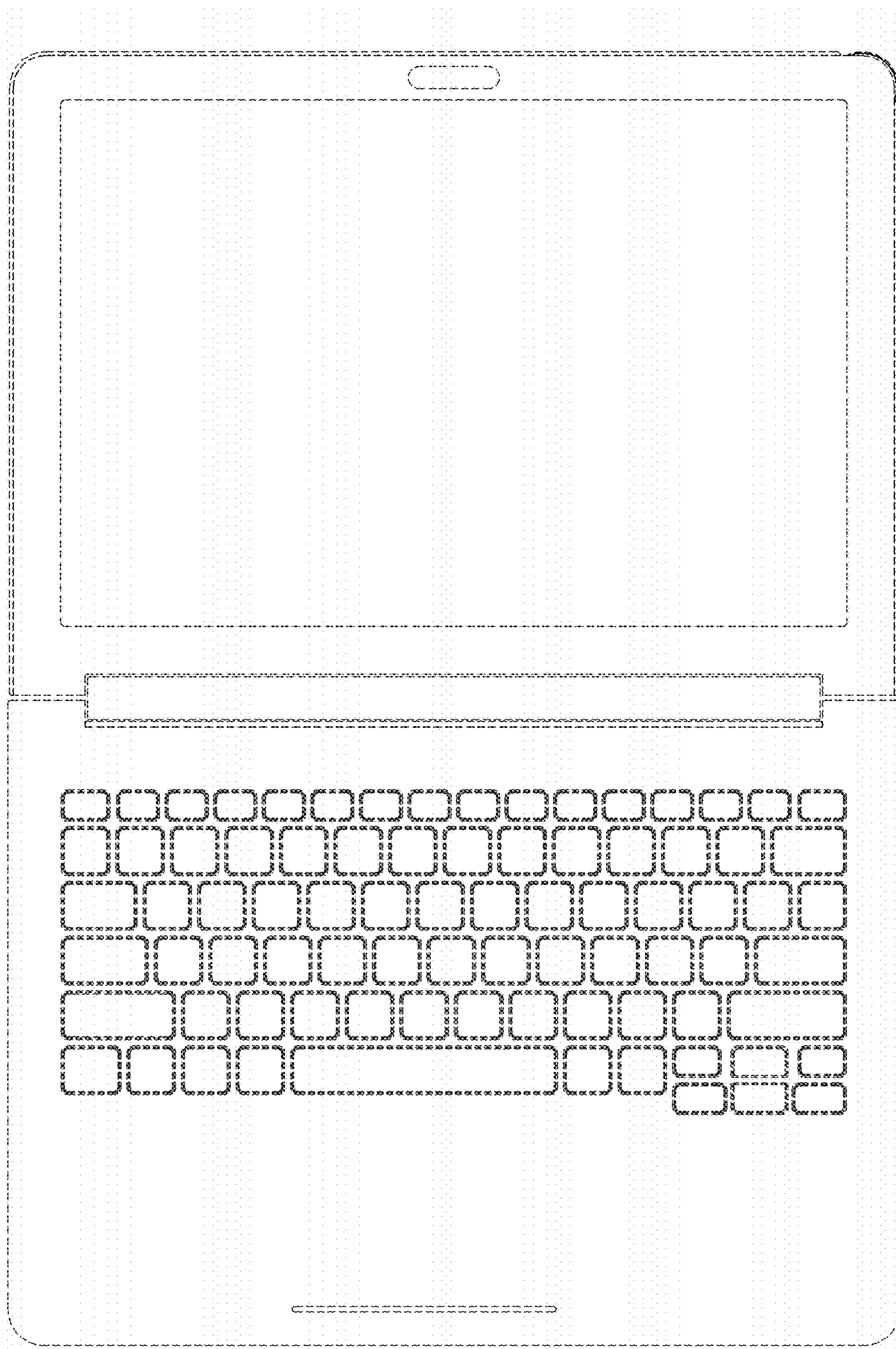


FIG. 3

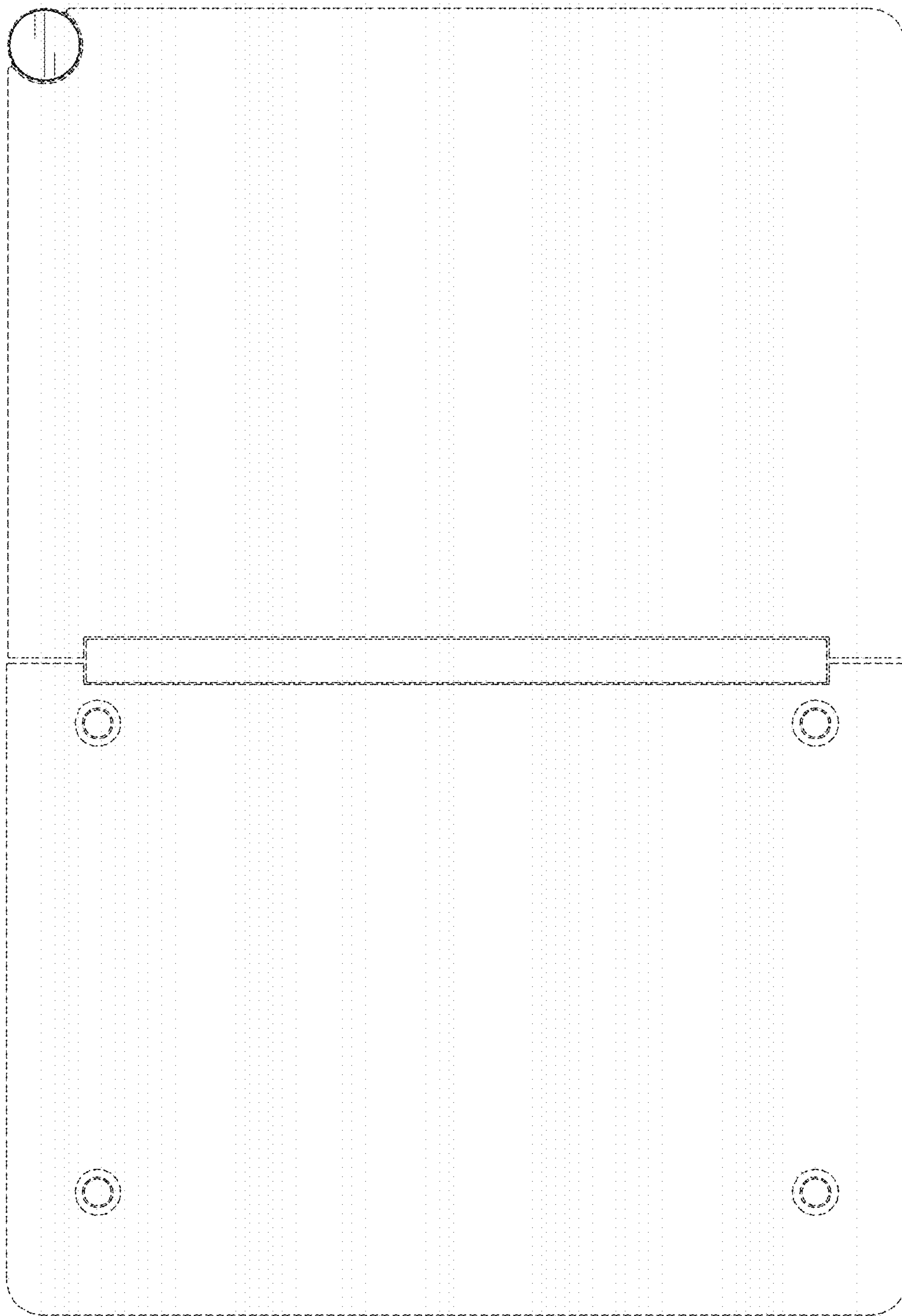


FIG. 4

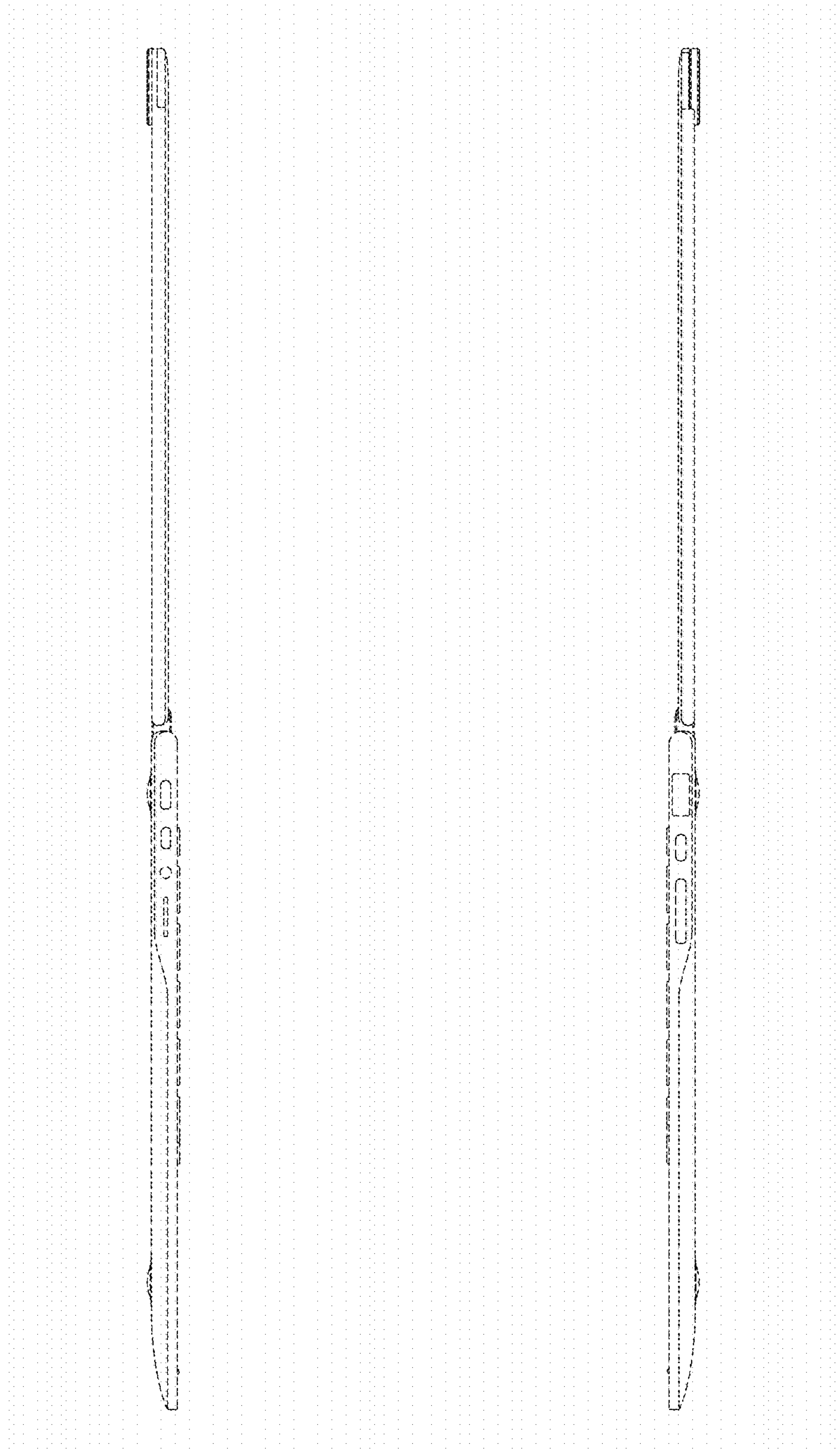


FIG. 5

FIG. 6

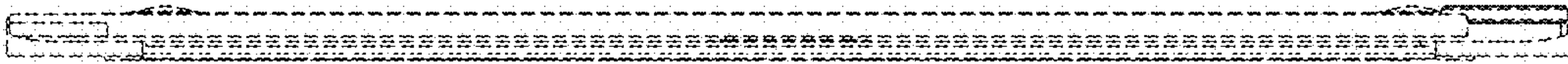


FIG. 7

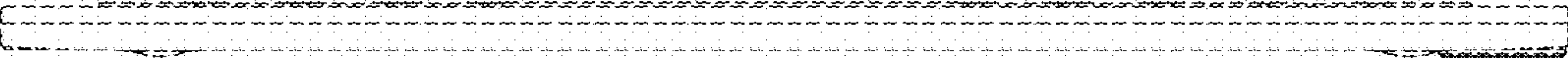


FIG. 8



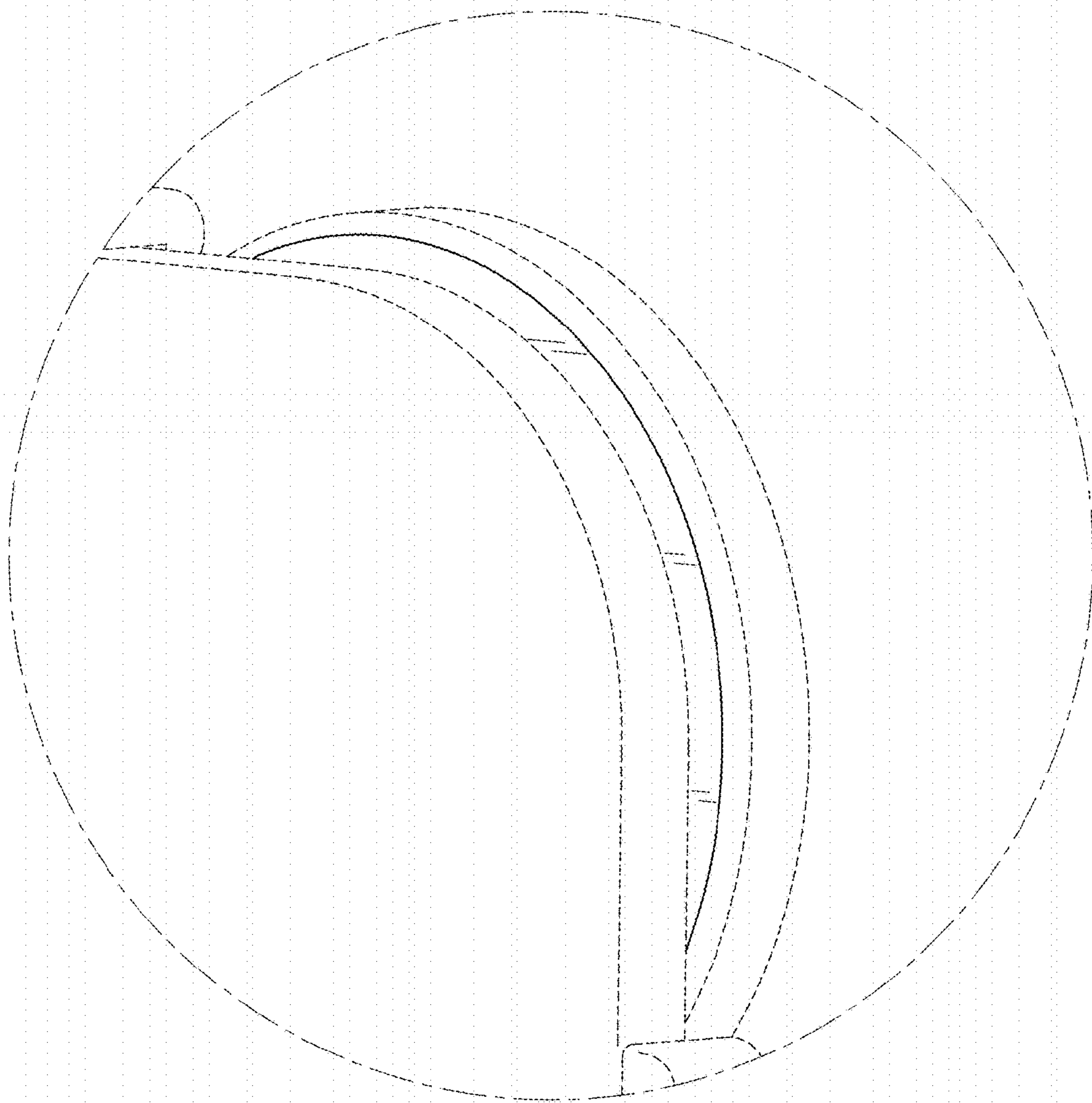


FIG. 9

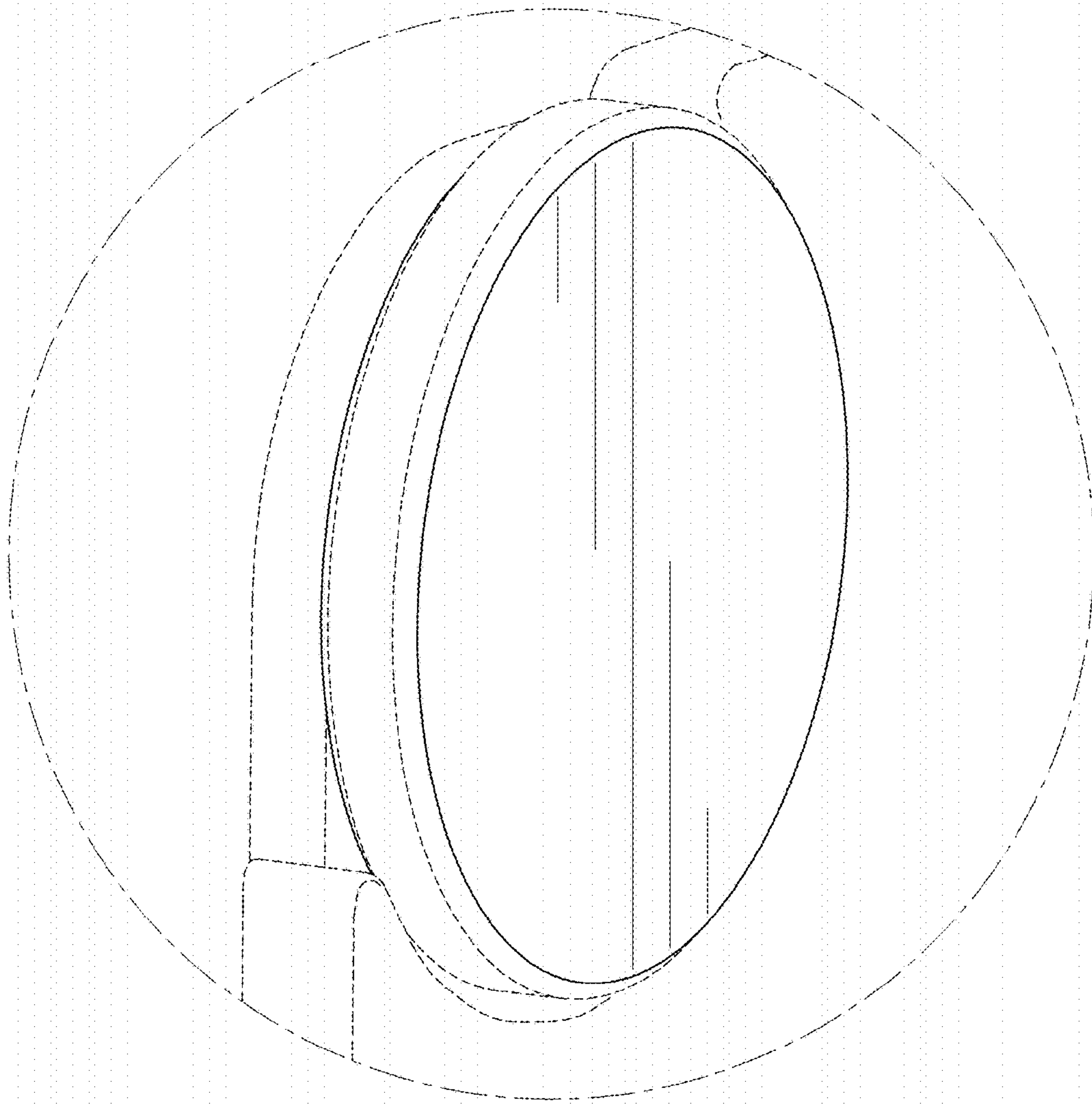


FIG. 10