

US00D787501S

(12) **United States Design Patent**
Cheng et al.

(10) **Patent No.:** **US D787,501 S**

(45) **Date of Patent:** **** May 23, 2017**

(54) **NOTEBOOK COMPUTER WITH SPEAKER**

(71) Applicants: **Yu-Wen Cheng**, Taipei (TW);
Ming-Chung Liu, Taipei (TW);
Yu-Ning Chang, Taipei (TW)

(72) Inventors: **Yu-Wen Cheng**, Taipei (TW);
Ming-Chung Liu, Taipei (TW);
Yu-Ning Chang, Taipei (TW)

(73) Assignee: **COMPAL ELECTRONICS, INC.**,
Taipei (TW)

(**) Term: **15 Years**

(21) Appl. No.: **29/548,376**

(22) Filed: **Dec. 14, 2015**

(51) **LOC (10) Cl.** **14-02**

(52) **U.S. Cl.**
USPC **D14/315**

(58) **Field of Classification Search**
USPC D14/315-327, 172, 204, 209.1, 210, 214,
D14/215, 261, 221; D18/1, 2, 7, 11;
235/145 A, 145 R; 341/22, 23; 345/104,
345/156, 168, 169, 173; 361/679.08,
361/679.09, 679.11, 679.26, 679.27
CPC G06F 1/16; G06F 1/1616; G06F 1/1626;
G06F 1/1632; G06F 1/1613; G06F
1/1601; G06F 1/1618; G06F 1/162; G06F
1/166; G06F 1/1654; G06F 1/1681; G06F
1/1637; G06F 1/1688; G06F 1/1656;
H01R 35/02; H03M 11/00; G09B 13/04;
H03K 17/94; G09G 5/00; F16M 11/10;
H05K 5/00; H05K 1/16; H04M 1/0237;
H04R 1/02; H04R 5/02; H04B 1/00
See application file for complete search history.

(56) **References Cited**

U.S. PATENT DOCUMENTS

6,067,224 A * 5/2000 Nobuchi G06F 1/1688
361/679.21
D426,543 S * 6/2000 Oross D14/330

7,916,889 B2 * 3/2011 Takakusaki G06F 1/1616
361/679.09
2005/0069159 A1 * 3/2005 Nakazato G06F 1/1616
381/306
2007/0166019 A1 * 7/2007 Kitahara G06F 1/1616
396/51
2008/0285218 A1 * 11/2008 Iijima G06F 1/1616
361/679.08

* cited by examiner

Primary Examiner — Freda S Nunn

(74) *Attorney, Agent, or Firm* — Jianq Chyun IP Office

(57) **CLAIM**

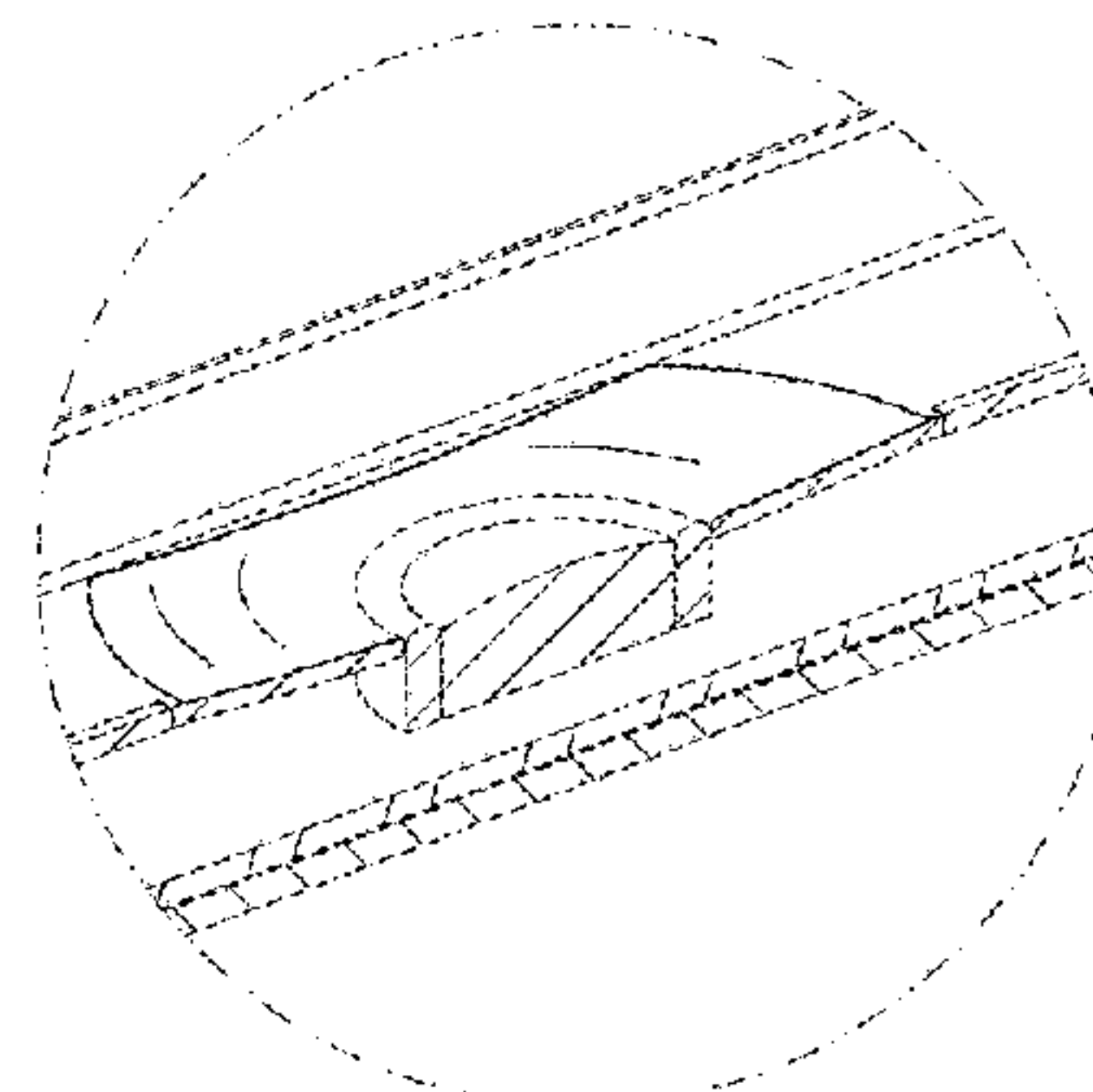
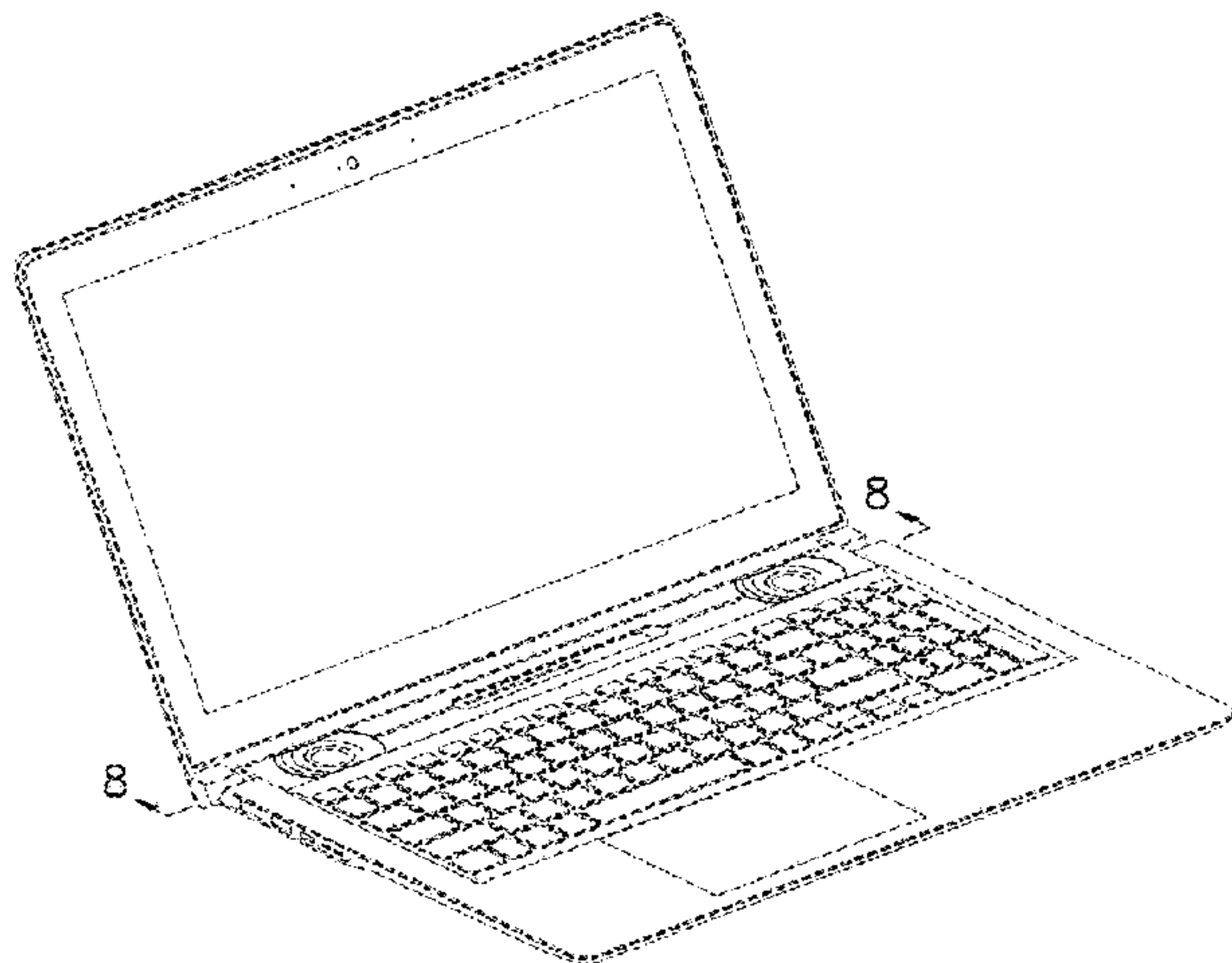
The ornamental design for a notebook computer with speaker, as shown and described.

DESCRIPTION

FIG. 1 is a perspective view of a notebook computer with speaker showing our new design;
FIG. 2 is a front view thereof;
FIG. 3 is a rear view thereof;
FIG. 4 is a left side view thereof;
FIG. 5 is a right side view thereof;
FIG. 6 is a top view thereof;
FIG. 7 is a bottom view thereof;
FIG. 8 is a cross-section view thereof, taken along the line 8-8 of FIG. 1;
FIG. 9 is an enlarged view of an indicated portion of FIG. 8;
FIG. 10 is a cross-section view thereof, taken along the line 10-10 of FIG. 2; and,
FIG. 11 is an enlarged view of an indicated portion of FIG. 10.

The dashed broken lines in the figures indicate portions of the notebook computer with speaker and form no part of the claimed design.

1 Claim, 7 Drawing Sheets



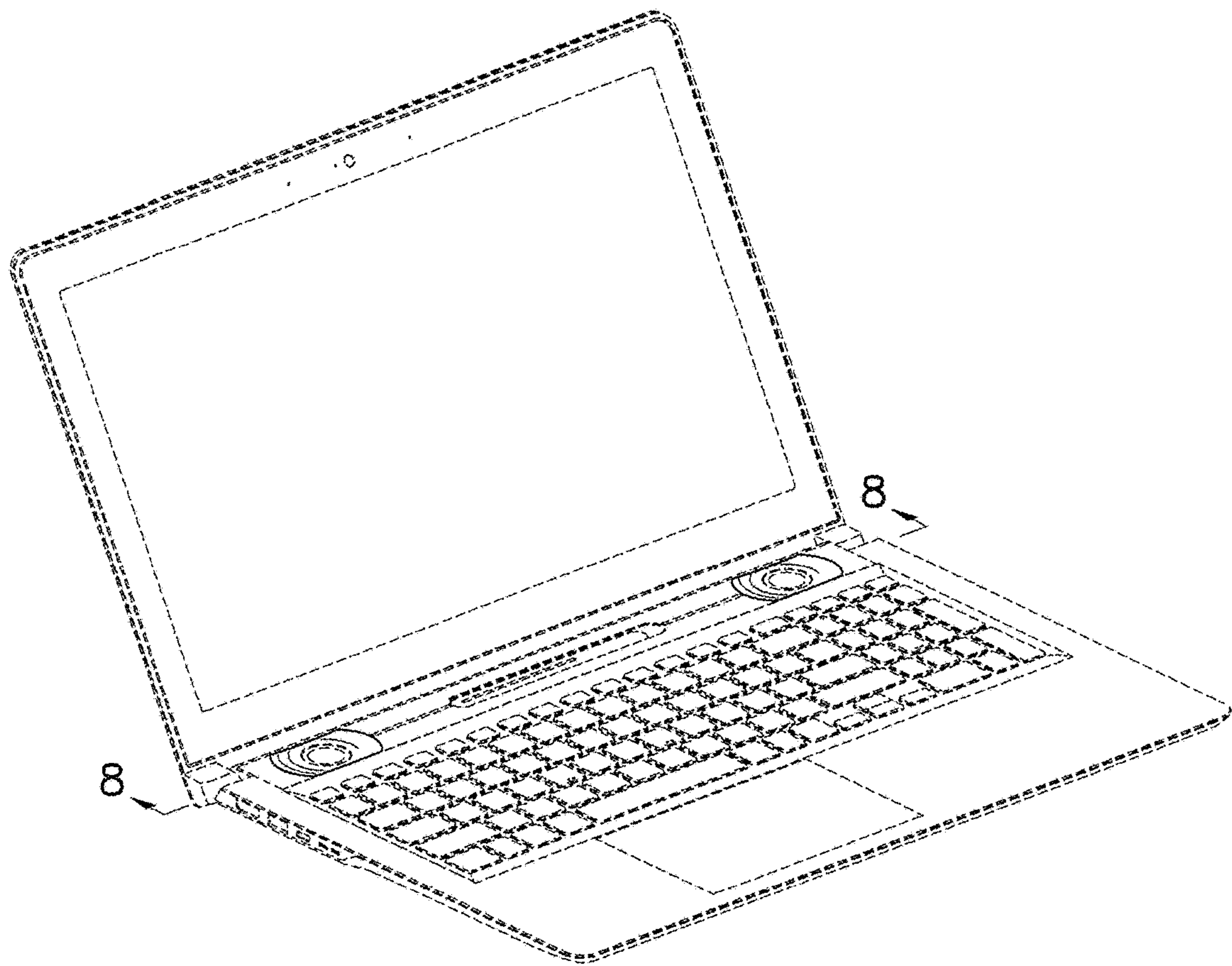


FIG. 1

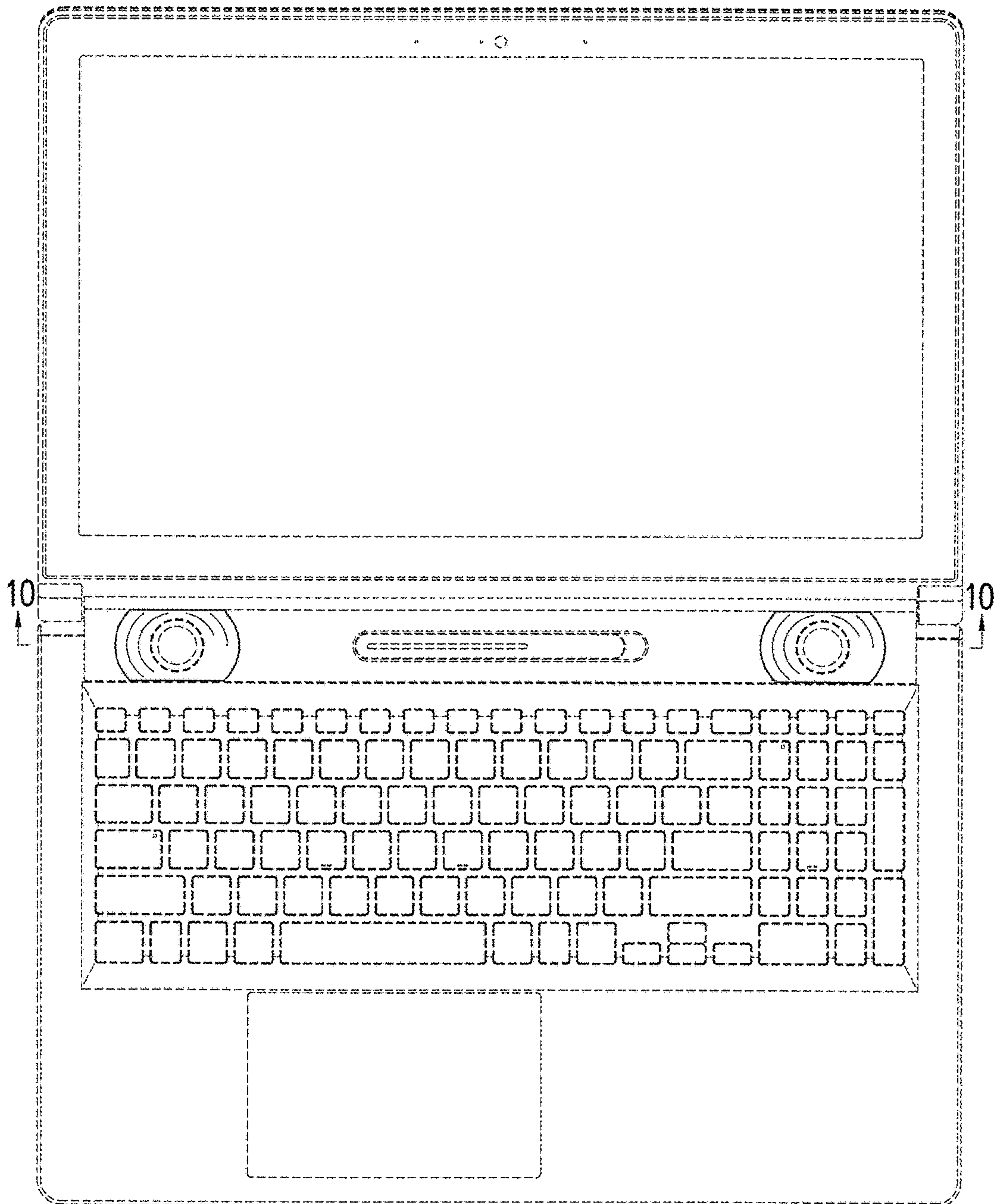


FIG. 2

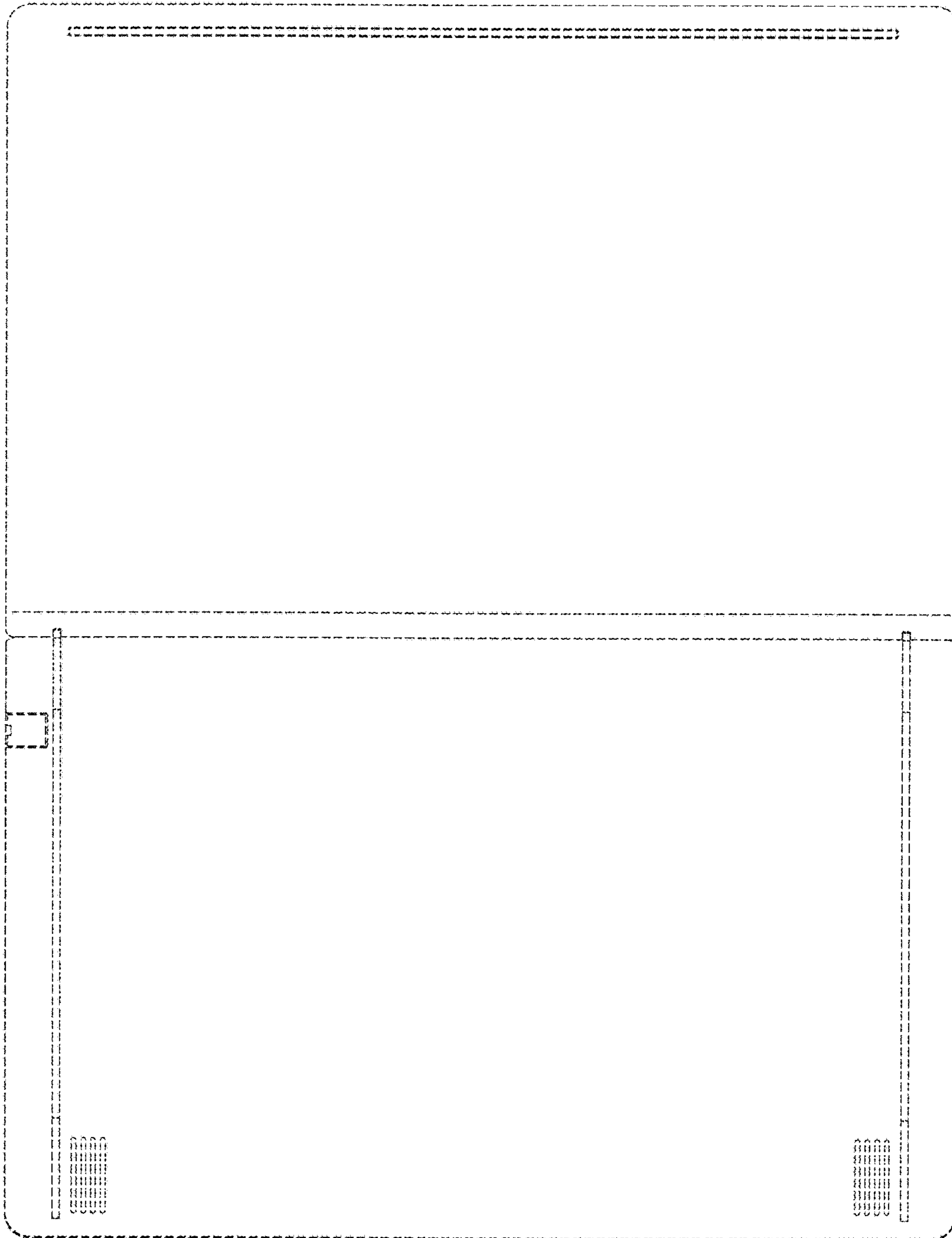


FIG. 3



FIG. 4



FIG. 5



FIG. 6

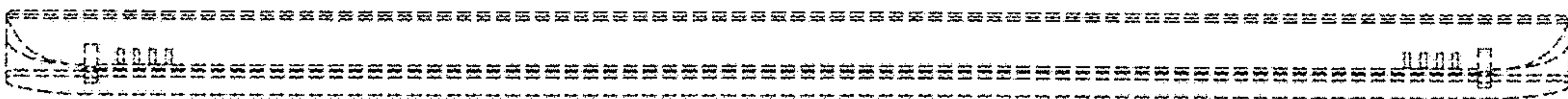


FIG. 7

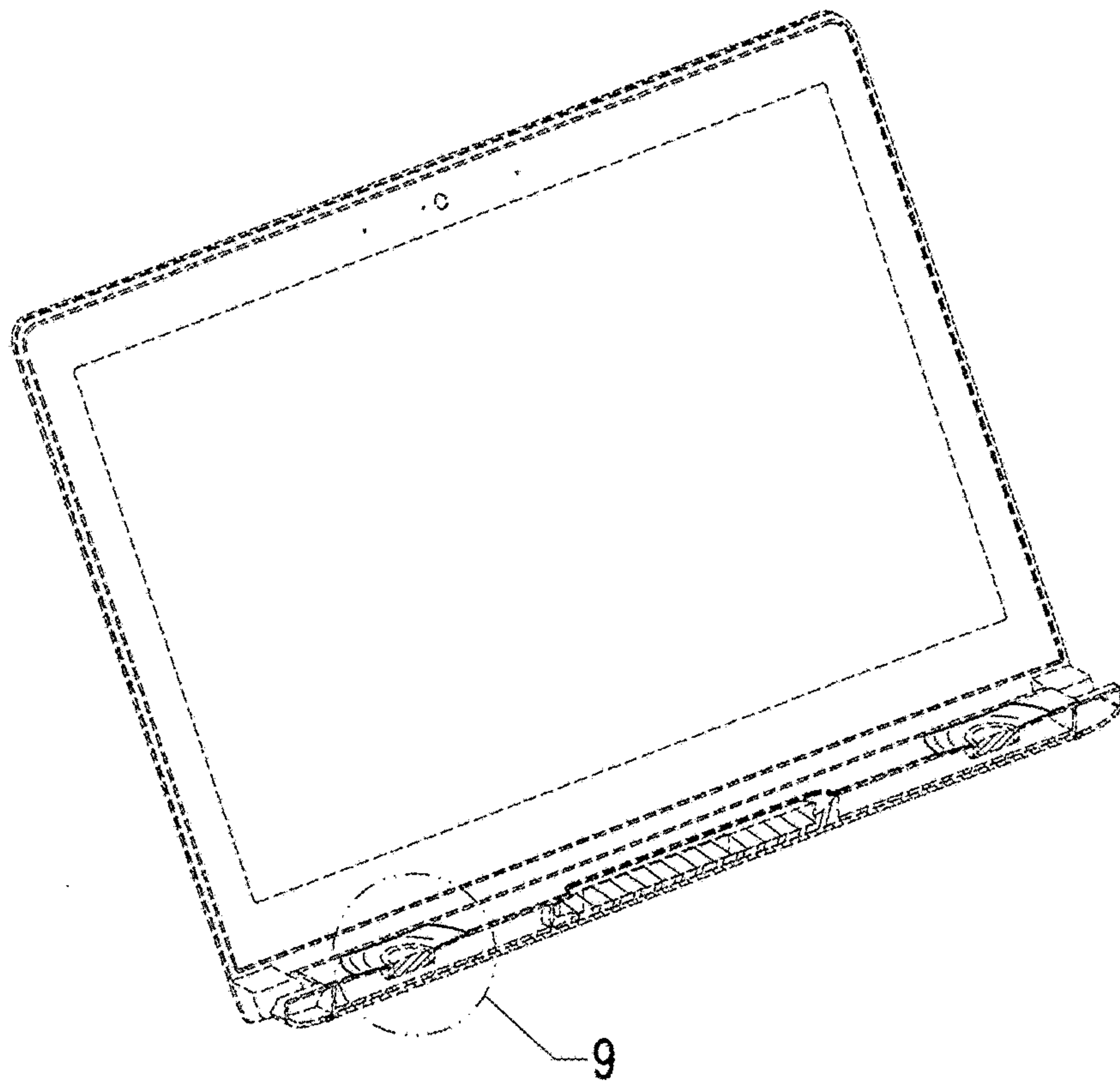


FIG. 8

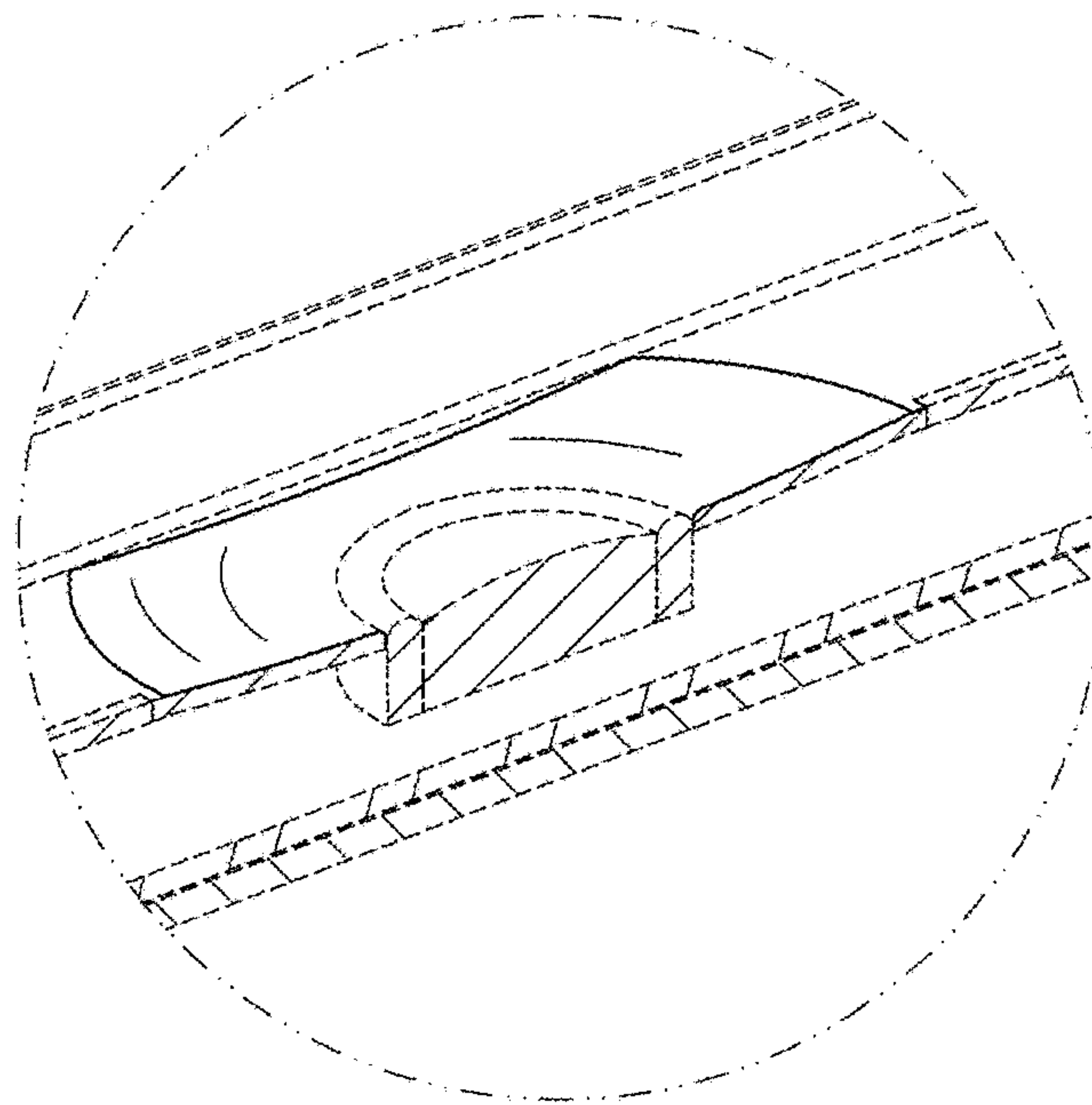


FIG. 9

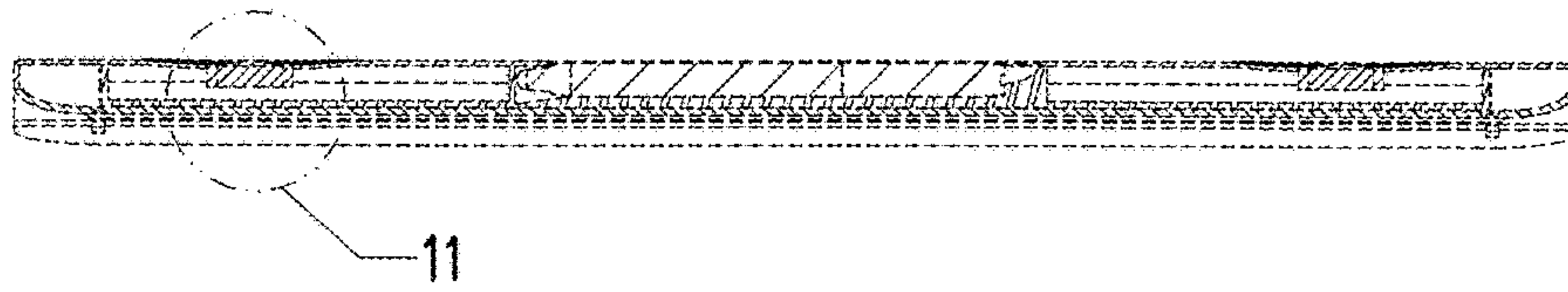


FIG. 10

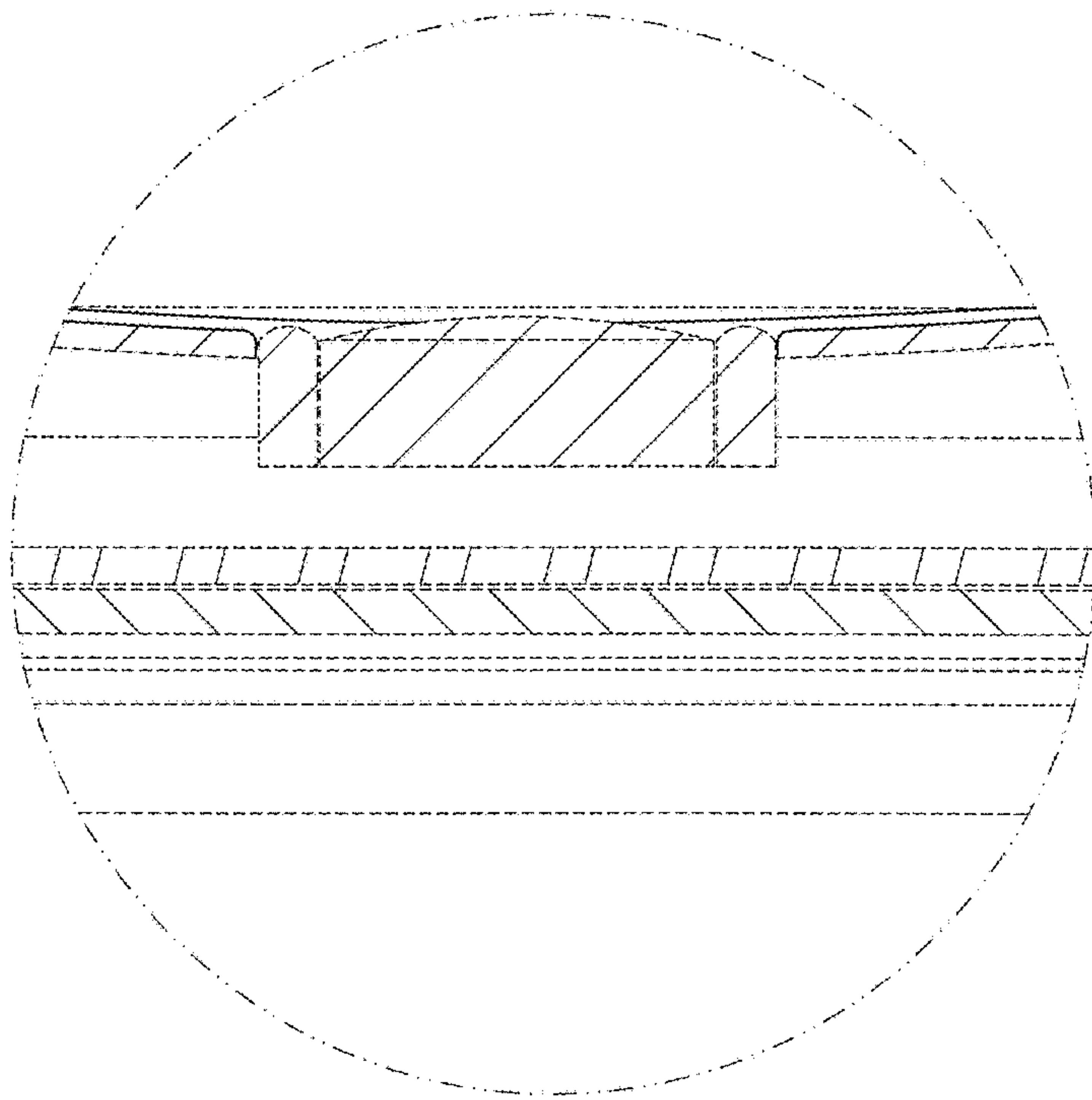


FIG. 11