



US00D787499S

(12) **United States Design Patent**
Lee et al.

(10) **Patent No.:** **US D787,499 S**
(45) **Date of Patent:** **** May 23, 2017**

(54) **ELECTRONIC STICK HOLDER FOR
SMARTPHONE, CAMERA, OR THE LIKE**

(71) Applicant: **IOTTIE, INC.**, New York, NY (US)

(72) Inventors: **Kyu Seop Lee**, Basking Ridge, NJ
(US); **Phisitsuk Paul Sukphisit**,
Englewood, NJ (US); **Jeremy
Leeds-Frank**, Glen Head, NY (US)

(73) Assignee: **IOTTIE, INC.**, New York, NY (US)

(**) Term: **15 Years**

(21) Appl. No.: **29/530,429**

(22) Filed: **Jun. 16, 2015**

(51) **LOC (10) Cl.** **14-03**

(52) **U.S. Cl.**
USPC **D14/253**

(58) **Field of Classification Search**

USPC D14/253, 251, 252, 447, 451, 452, 440,
D14/434, 458, 432, 439, 457, 460, 238.1,
D14/140, 142, 149, 217, 148, 140.8,
D14/140.11, 209.1, 151, 140.9, 250, 238;
D13/107, 108; D12/415, 223, 114, 420,
D12/417, 407, 177; D3/218;
D16/242-245, 250, 237, 203, 214, 219;
D8/349; D6/675, 672, 673, 675.4, 553,
D6/676, 310, 406.3, 406.4, 406.5, 406.6,
D6/407, 567, 300, 682.3, 396; 248/459,
248/460; 224/483; D24/223; D9/457;
348/375, 376; D21/466
CPC B60R 2011/0008; B60R 11/02; B60R
11/0241; B60R 11/0258; B60R 11/0252;
B60R 2011/0294; F16M 11/00; F16M
11/04; F16M 11/041; F16M 11/02; F16M
11/06; F16M 13/00; H04M 1/02; H04M

(Continued)

(56) **References Cited**

U.S. PATENT DOCUMENTS

D670,284 S * 11/2012 Choi D14/253
D671,110 S * 11/2012 Choi D14/253

(Continued)

Primary Examiner — Susan Bennett Hattan

Assistant Examiner — Janice Hallmark

(74) *Attorney, Agent, or Firm* — Lucas & Mercanti, LLP

(57) **CLAIM**

The ornamental design for electronic stick holder for smart-
phone, camera, or the like, as shown and described.

DESCRIPTION

FIG. 1 is a first front perspective view of an electronic stick holder for smartphone, camera, or the like showing our new design;

FIG. 2 is a front view of an electronic stick holder for smartphone, camera, or the like showing our new design;

FIG. 3 is a rear view of an electronic stick holder for smartphone, camera, or the like showing our new design;

FIG. 4 is a first side view of an electronic stick holder for smartphone, camera, or the like showing our new design;

FIG. 5 is a second side view of an electronic stick holder for smartphone, camera, or the like showing our new design;

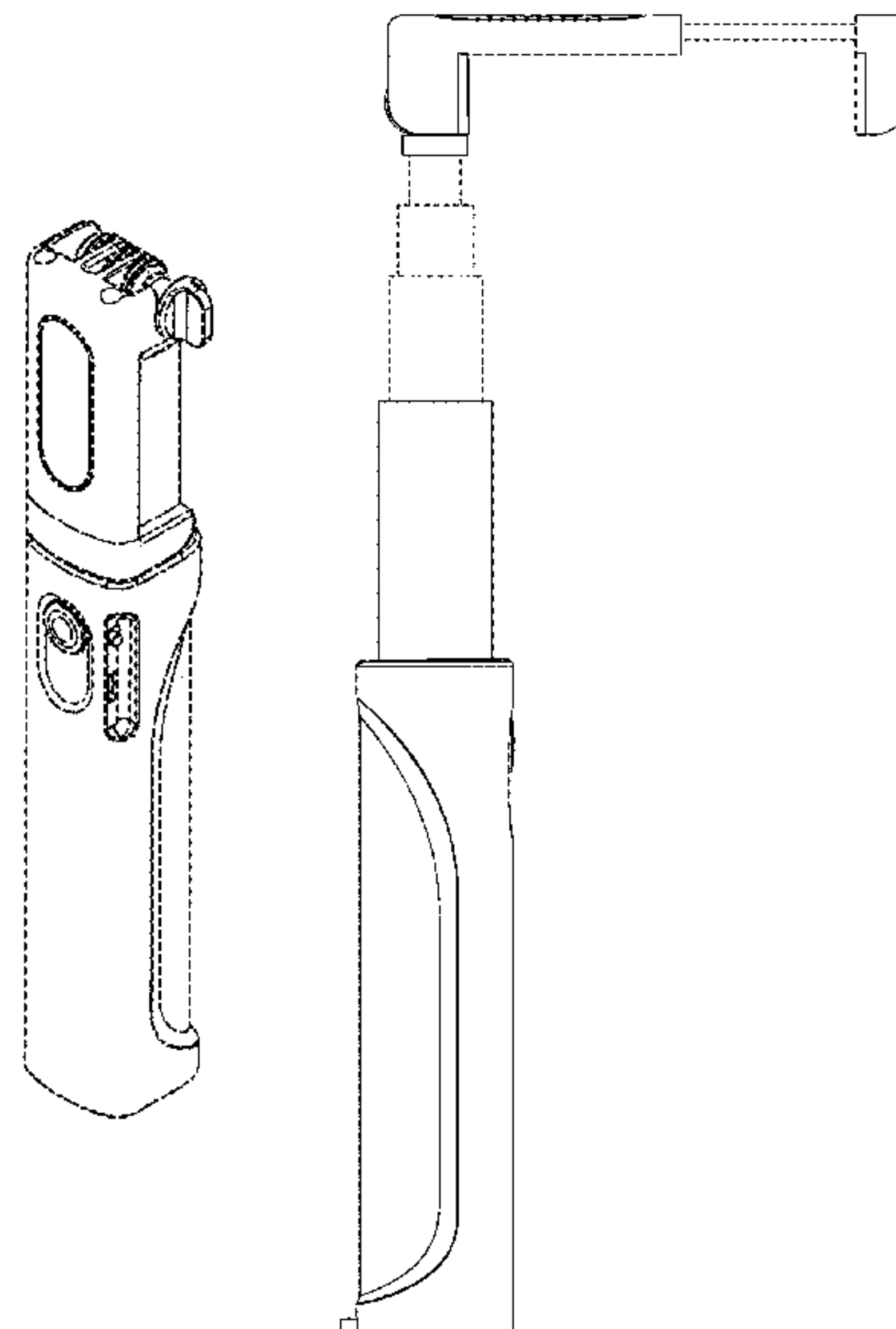
FIG. 6 is a second side view of an electronic stick holder for smartphone, camera, or the like in an alternate position of use, shown for clarity of disclosure;

FIG. 7 is a top view of an electronic stick holder for smartphone, camera, or the like showing our new design; and,

FIG. 8 is a bottom view of an electronic stick holder for smartphone, camera, or the like showing our new design.

The broken lines in the drawings depict parts of the electronic stick holder for smartphone, camera, or the like that form no part of the claimed design.

1 Claim, 8 Drawing Sheets



(58) **Field of Classification Search**

CPC .. 1/04; H04M 1/11; H04M 1/12; A47F 7/022;
B62J 11/00; H05K 7/00; G03B 17/56

See application file for complete search history.

(56) **References Cited**

U.S. PATENT DOCUMENTS

D678,387	S *	3/2013	Stump	D16/244
D714,775	S *	10/2014	Yoo	D14/253
D715,791	S *	10/2014	Yu	D14/253
D720,344	S *	12/2014	Yu	D14/253
D723,024	S *	2/2015	Yoo	D14/253
9,170,473	B1 *	10/2015	Li	G03B 17/561
D747,399	S *	1/2016	Stump	D16/243
9,332,170	B1 *	5/2016	Khalili	H04N 5/2251
2010/0200710	A1 *	8/2010	Shenouda	F16M 13/00 248/157
2013/0176412	A1 *	7/2013	Chen	H04N 7/183 348/77
2014/0313358	A1 *	10/2014	Yu	H04N 5/23222 348/211.7

* cited by examiner

FIGURE 1

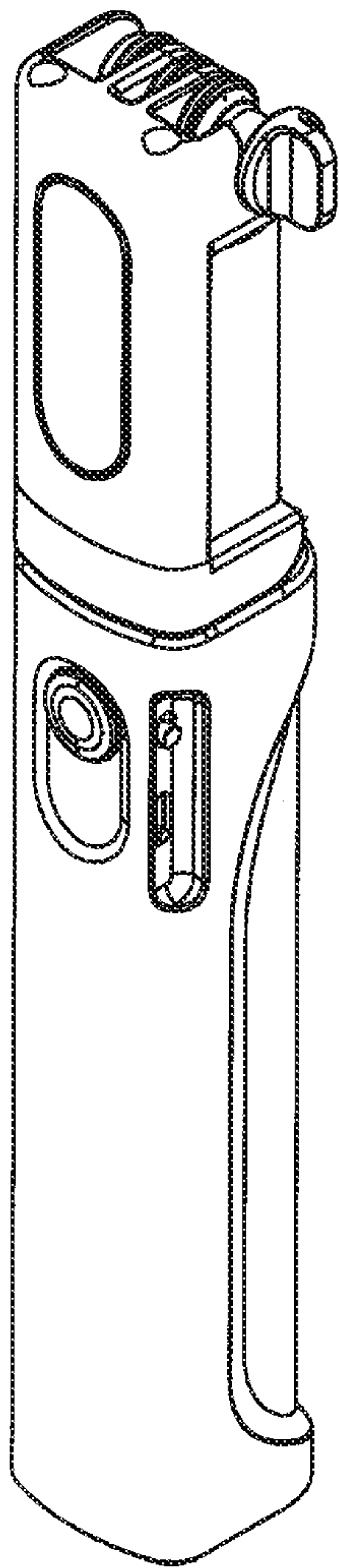


FIGURE 2

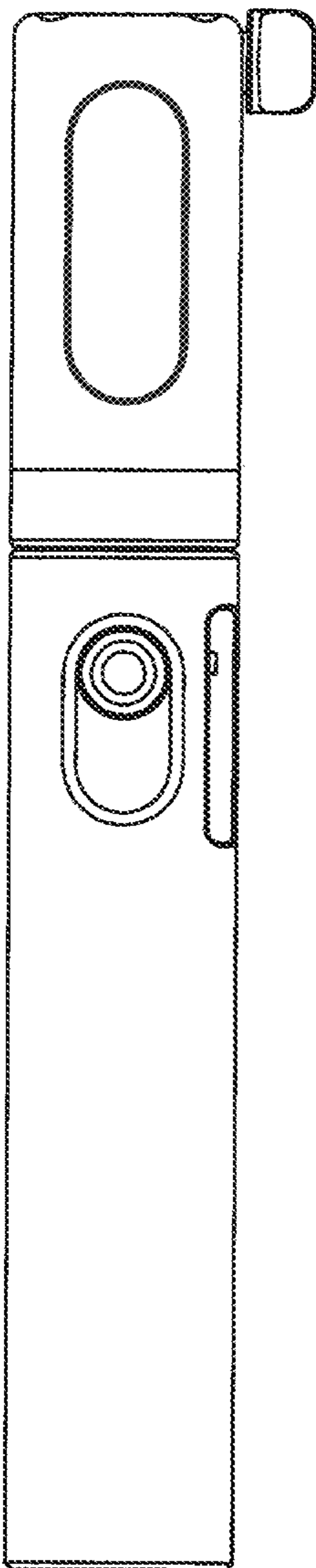


FIGURE 3

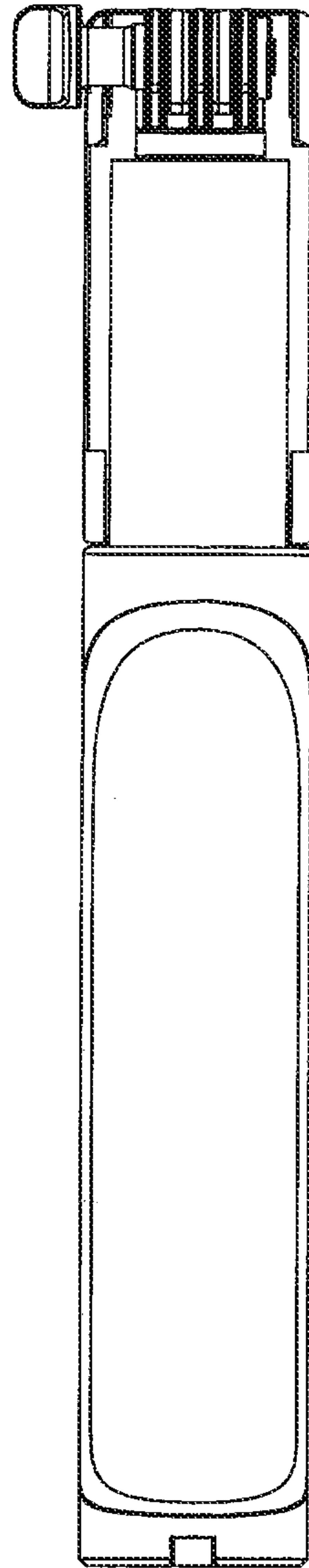


FIGURE 4

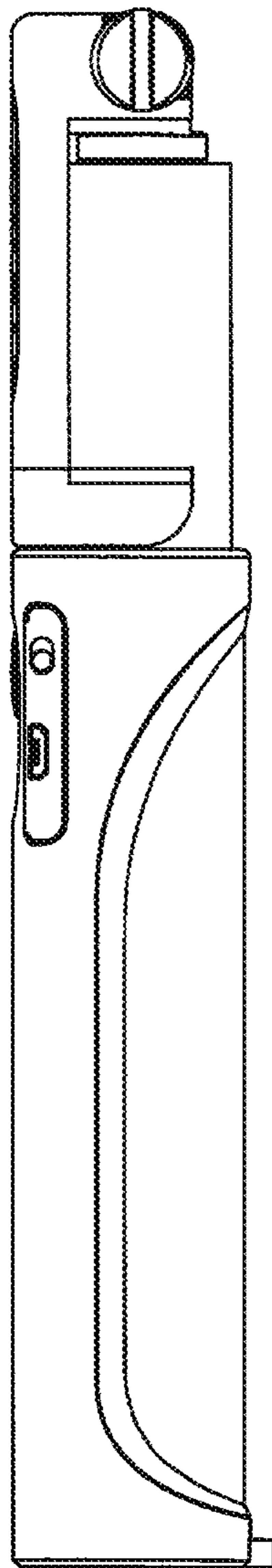


FIGURE 5

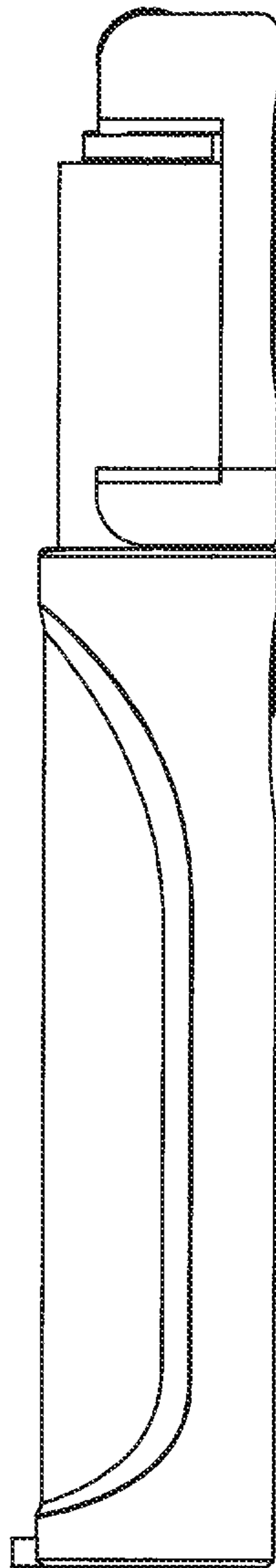


FIGURE 6

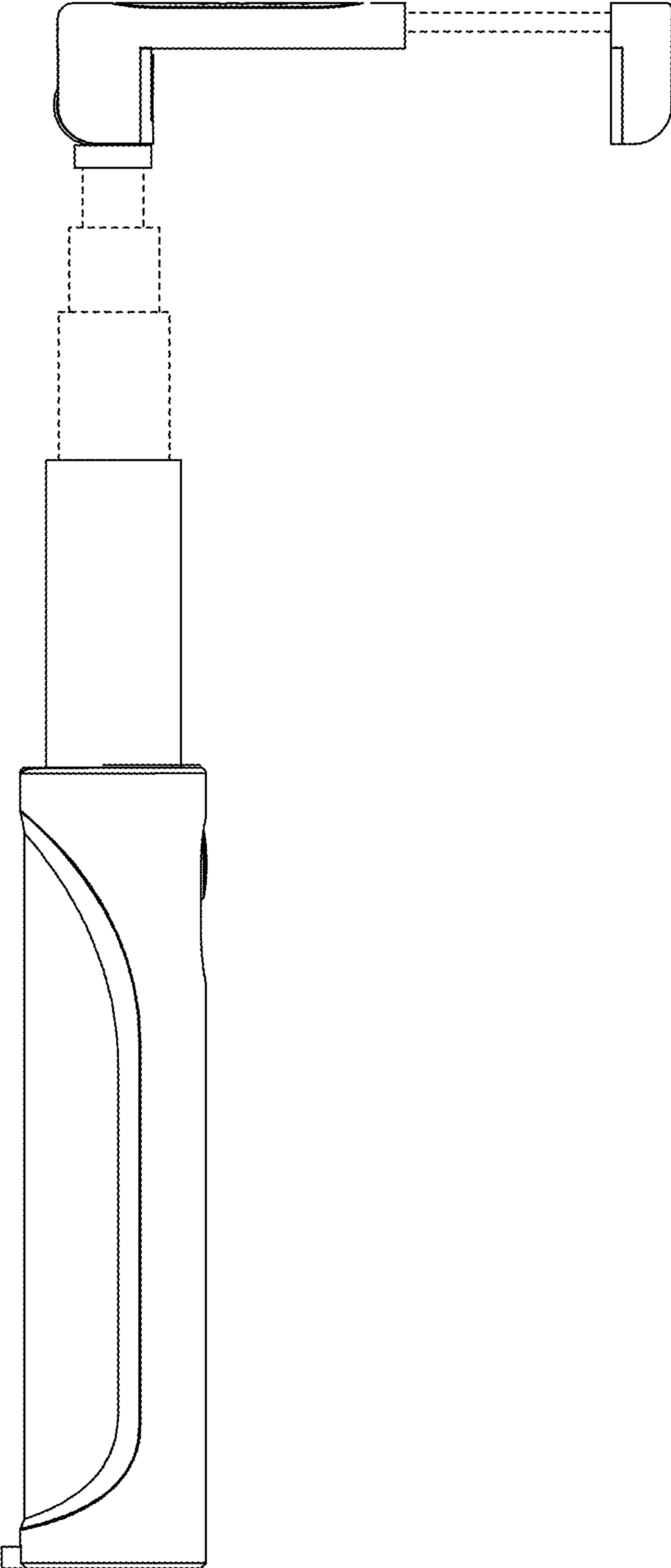


FIGURE 7

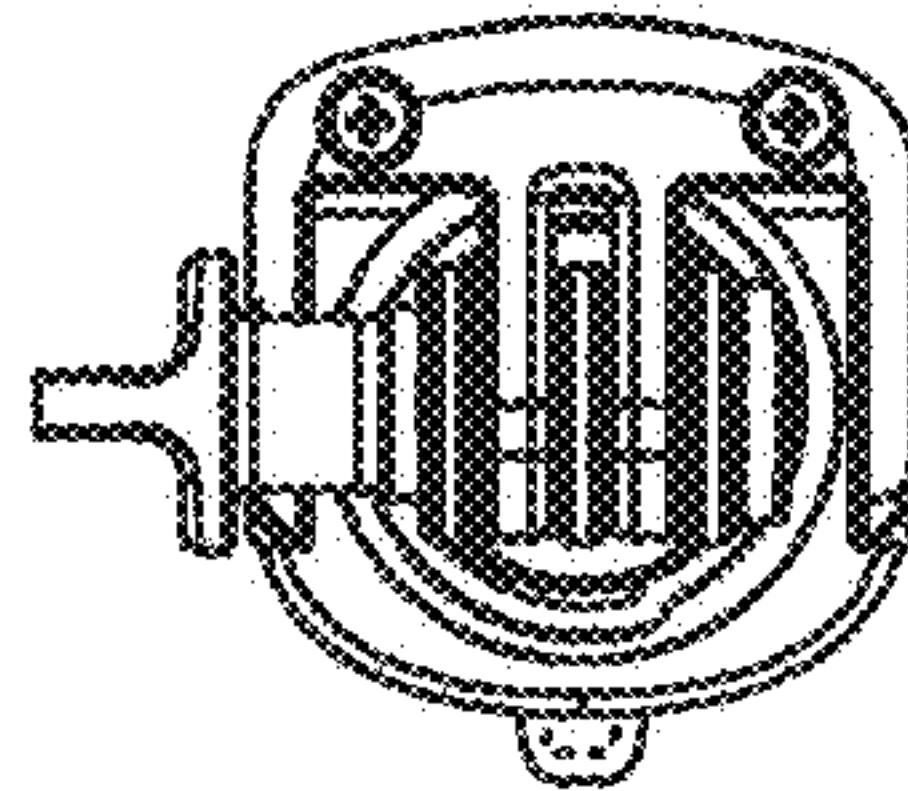


FIGURE 8

