



US00D787498S

(12) **United States Design Patent**
Chen

(10) **Patent No.:** **US D787,498 S**

(45) **Date of Patent:** **** May 23, 2017**

- (54) **CASE FOR ELECTRONIC COMMUNICATIONS DEVICE**
- (71) Applicant: **Jinliang Chen**, Shenzhen (CN)
- (72) Inventor: **Jinliang Chen**, Shenzhen (CN)
- (**) Term: **15 Years**
- (21) Appl. No.: **29/577,841**
- (22) Filed: **Sep. 15, 2016**
- (51) **LOC (10) Cl.** **14-03**
- (52) **U.S. Cl.**
USPC **D14/250**
- (58) **Field of Classification Search**
USPC D14/238.1, 440, 203.3–203.7, 217, 240,
D14/447, 250, 251–253, 248, 496, 391;
D3/201, 218, 247, 269, 273, 301, 303;
D13/103, 107–108, 119
CPC H04B 1/3888; H04M 1/0283; H04M 1/0202;
A45C 1/06; A45C 2011/002; A45C 11/00;
A45C 13/02; A45F 2005/026; A45F
2200/0525; A45F 2200/0516
See application file for complete search history.

D714,274 S *	9/2014	Jung	D14/250
D724,070 S *	3/2015	Su	D14/250
D735,182 S *	7/2015	Watkins	D14/250
D739,394 S *	9/2015	Rayner	D14/250
D741,844 S *	10/2015	Rayner	D14/250
9,264,089 B2 *	2/2016	Tages	H04M 1/185
D756,340 S *	5/2016	Babichenko	D14/250
D765,629 S *	9/2016	Watt	D14/250
D765,632 S *	9/2016	Northrup	D14/250
D765,644 S *	9/2016	Witter	D14/250
D766,819 S *	9/2016	Gjovik	D13/103
D772,211 S *	11/2016	Poon	D14/250
D772,857 S *	11/2016	Poon	D14/250
2015/0382495 A1 *	12/2015	Lim	A45C 11/00 206/523
2016/0106202 A1 *	4/2016	Ford	A45C 13/1069 224/267

* cited by examiner

Primary Examiner — Carla Jobe Wright
(74) *Attorney, Agent, or Firm* — Novoclaims Patent Services LLC; Mei Lin Wong

(57) **CLAIM**

The ornamental design for a case for electronic communications device, as shown and described.

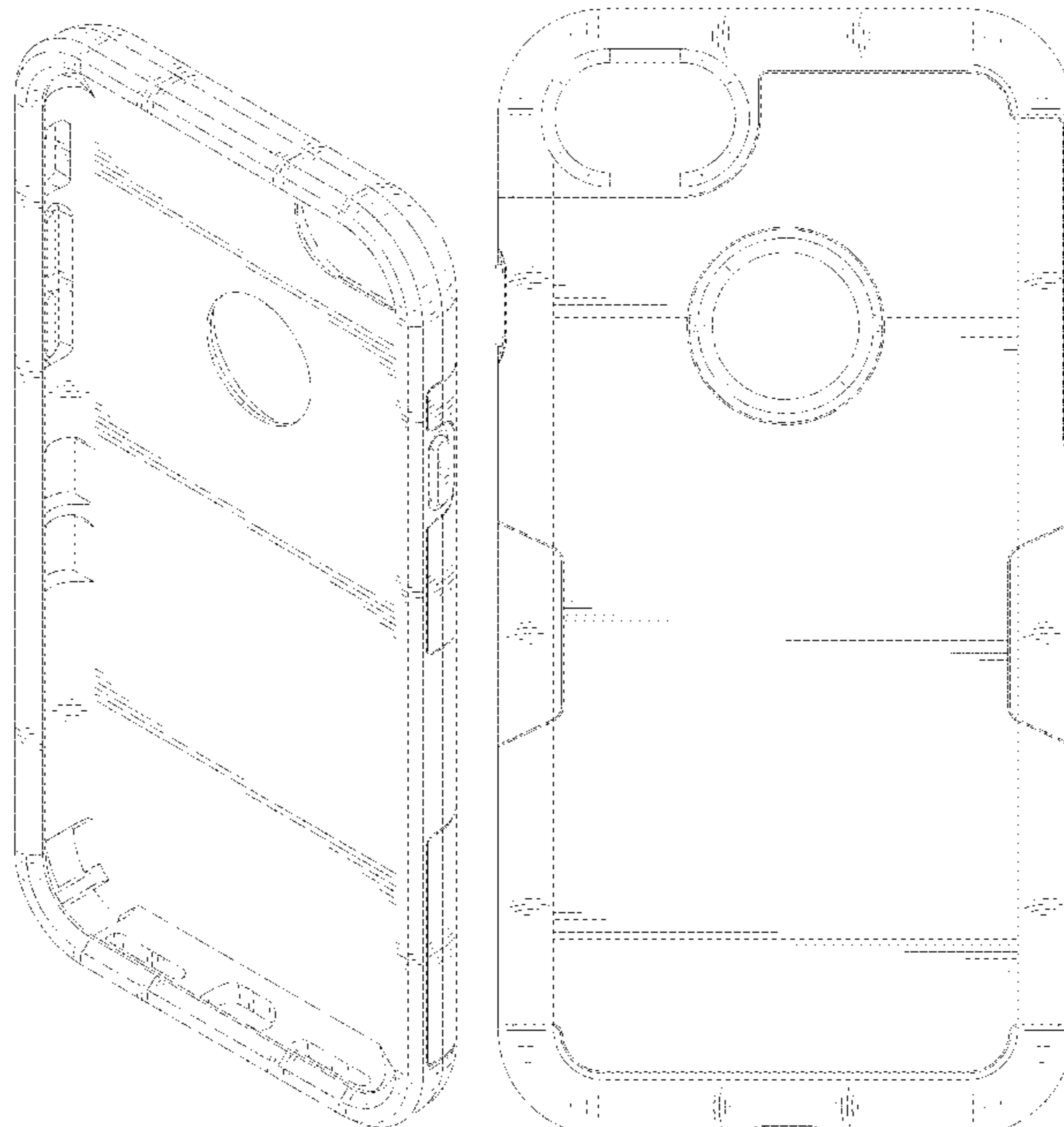
DESCRIPTION

FIG. 1 is a front perspective view of a case for electronic communications device showing my new design.
FIG. 2 is a rear perspective view thereof.
FIG. 3 is a front elevation view thereof.
FIG. 4 is a rear elevation view thereof.
FIG. 5 is a left-side elevation view thereof.
FIG. 6 is a right-side elevation view thereof.
FIG. 7 is a top plan view thereof; and,
FIG. 8 is a bottom plan view thereof.

1 Claim, 8 Drawing Sheets

(56) **References Cited**
U.S. PATENT DOCUMENTS

D681,619 S *	5/2013	Smith	D14/250
D687,027 S *	7/2013	Melanson	D14/250
D689,852 S *	9/2013	Azoulay	D14/250
D691,124 S *	10/2013	Yang	D14/250
D700,598 S *	3/2014	Kim	D14/250
D703,652 S *	4/2014	Melanson	D14/250
D703,654 S *	4/2014	Melanson	D14/250
D703,655 S *	4/2014	Melanson	D14/250
D710,347 S *	8/2014	Esses	D14/250
D712,386 S *	9/2014	Lu	D14/250



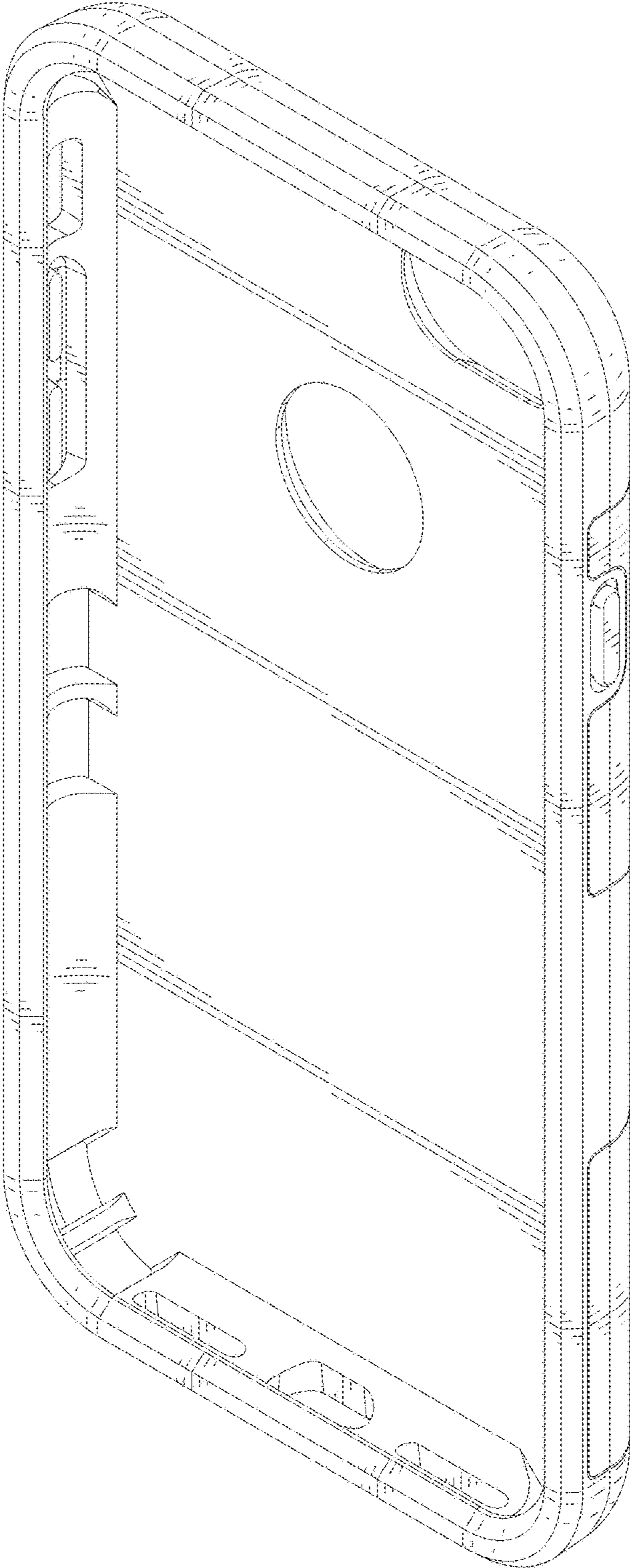


FIG.1

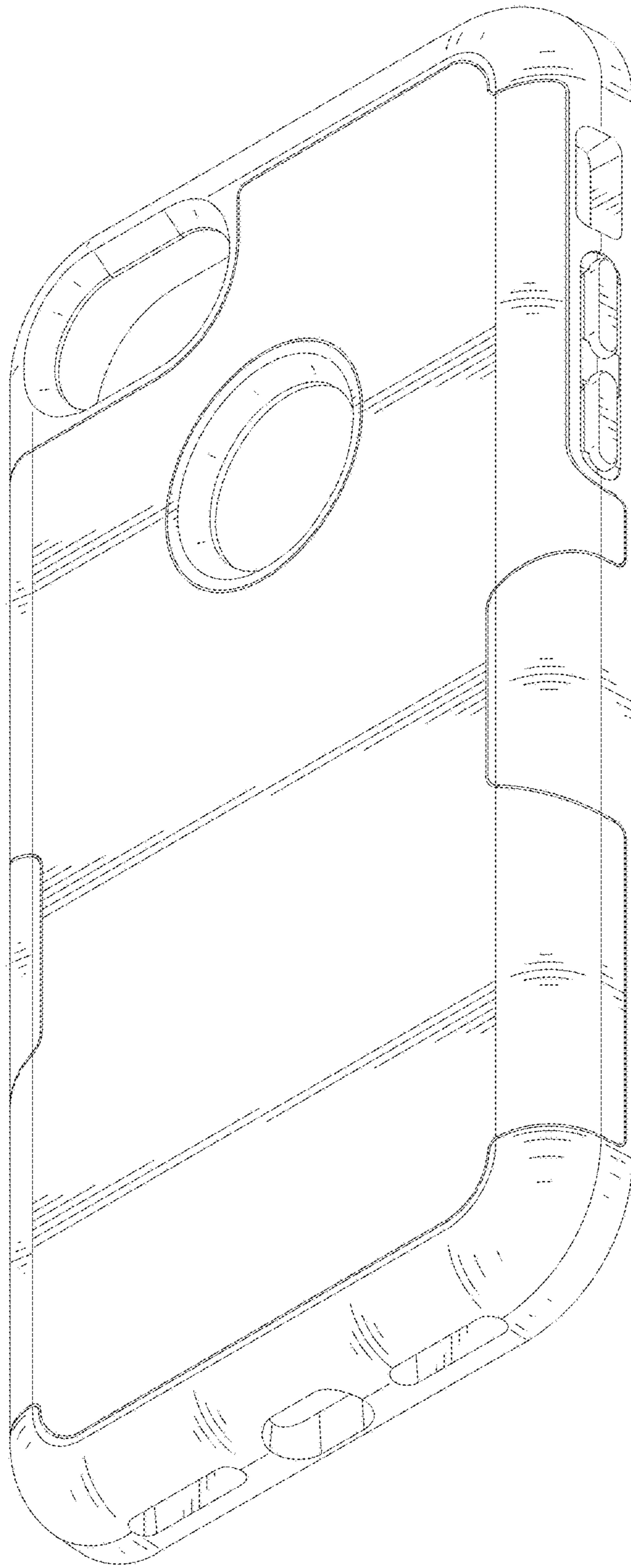


FIG.2

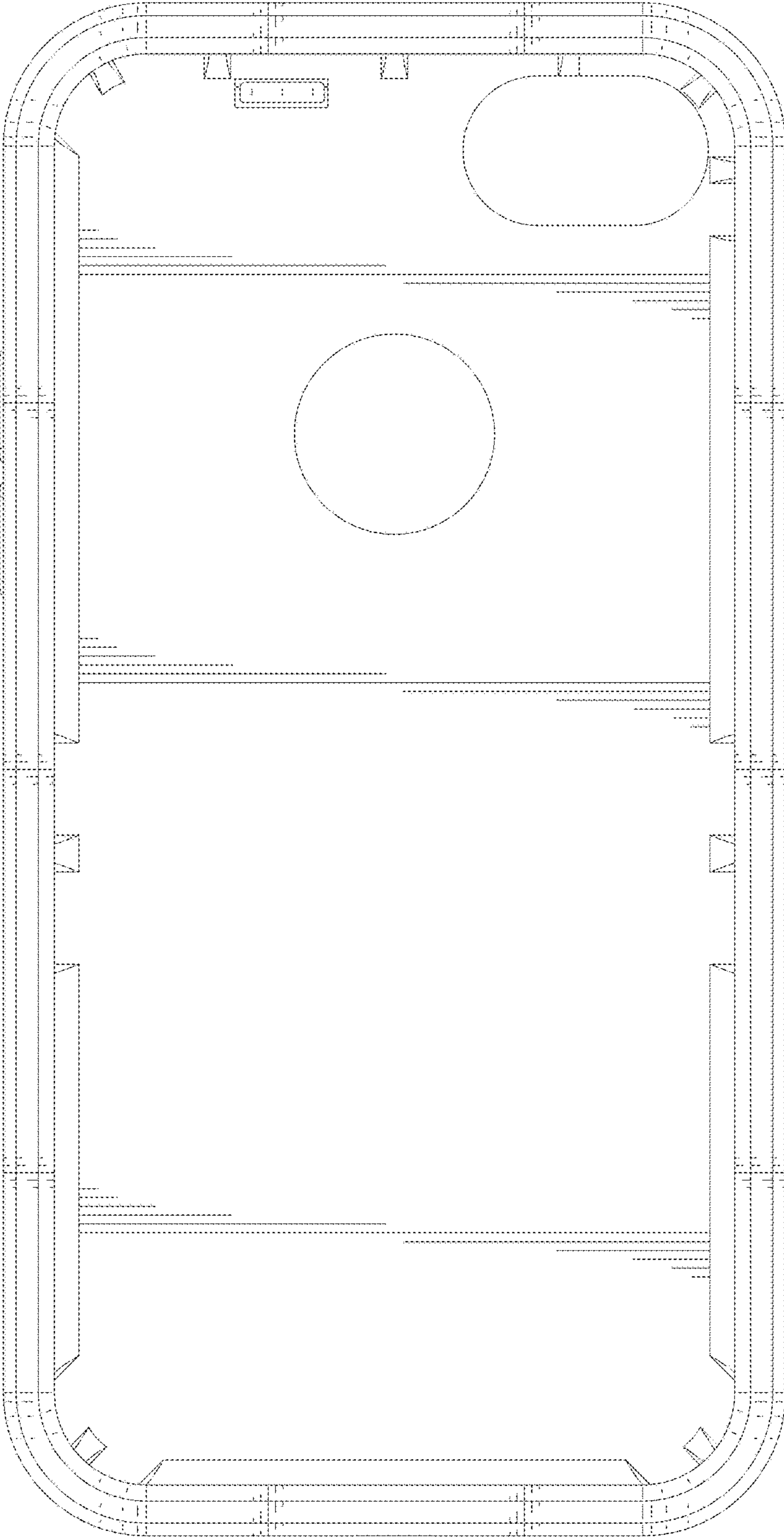


FIG.3

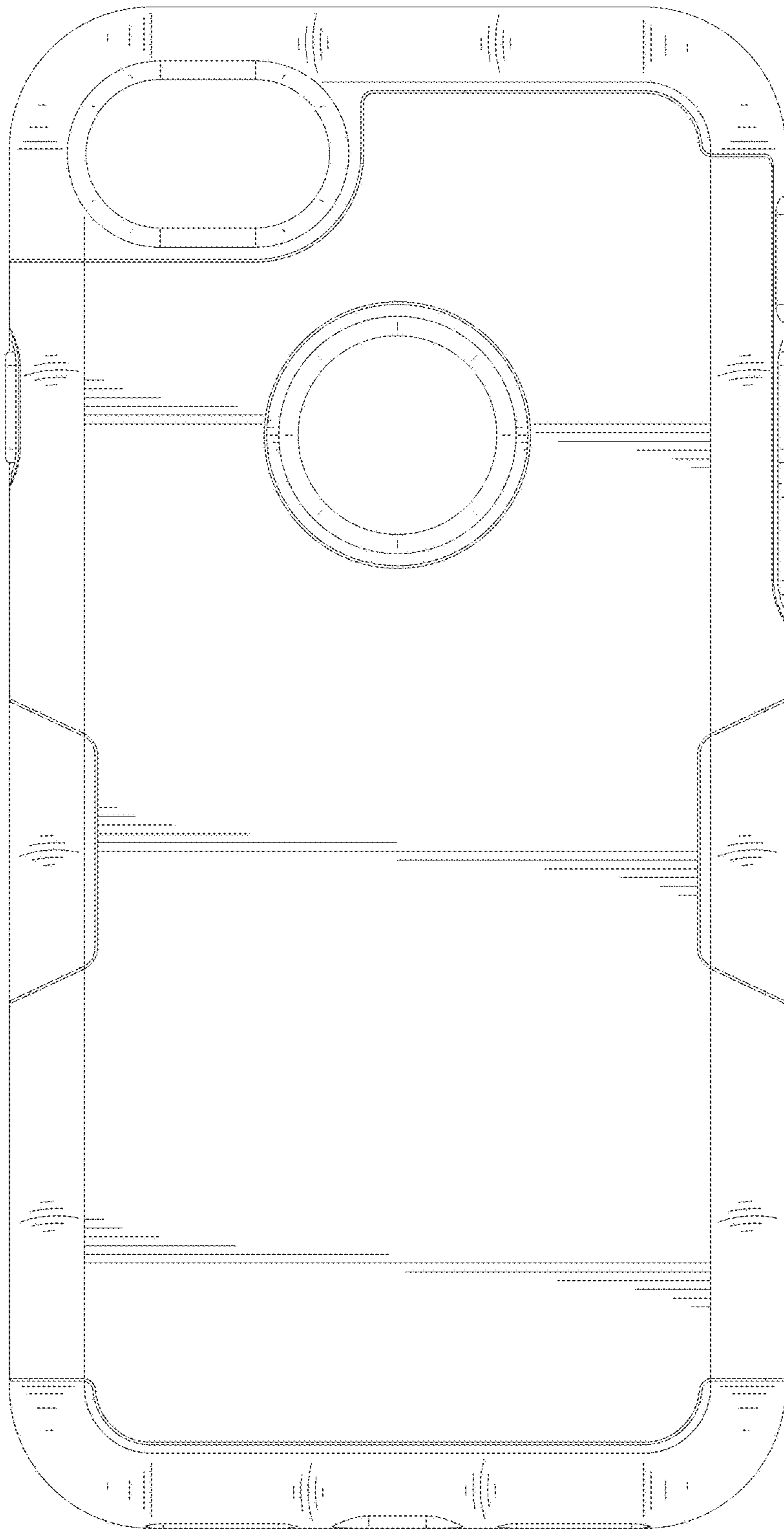


FIG.4

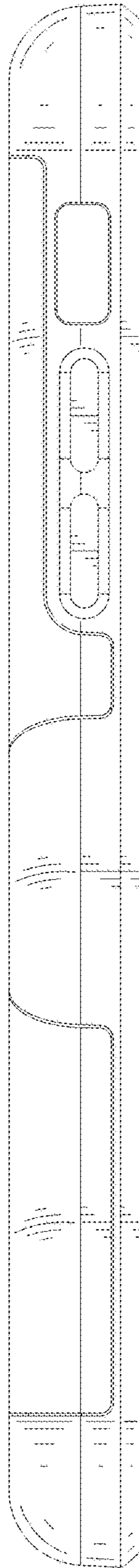


FIG.5

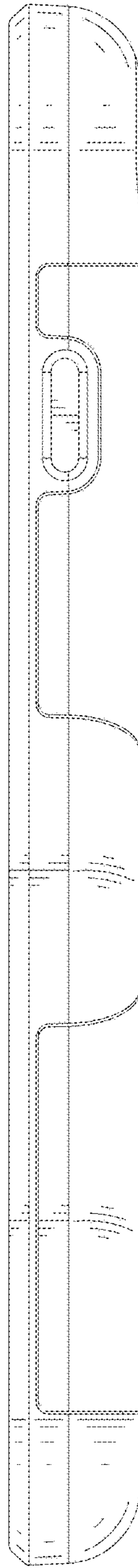


FIG.6

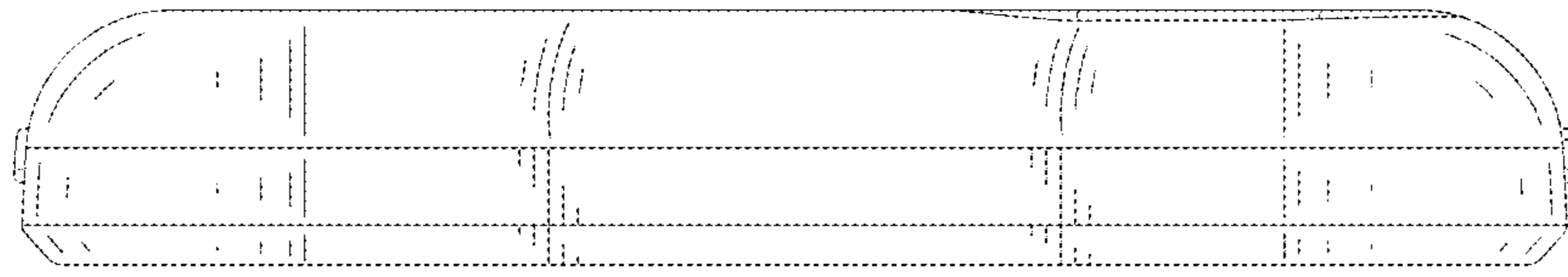


FIG.7

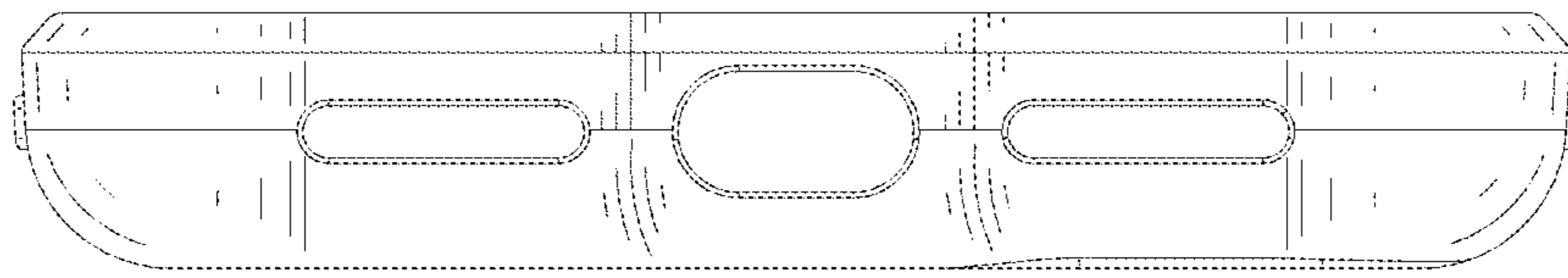


FIG.8