



US00D787485S

(12) **United States Design Patent** (10) **Patent No.:** **US D787,485 S**
Lam et al. (45) **Date of Patent:** **** May 23, 2017**

(54) **MOUNTING ASSEMBLY FOR USE IN MOUNTING AUDIO/VISUAL DEVICES OR THE LIKE**

- (71) Applicant: **Peerless Industries, Inc.**, Aurora, IL (US)
- (72) Inventors: **Derrick Lam**, Cicero, IL (US);
Christopher Brown, Lombard, IL (US)
- (73) Assignee: **PEERLESS INDUSTRIES, INC.**, Aurora, IL (US)
- (**) Term: **15 Years**
- (21) Appl. No.: **29/567,634**
- (22) Filed: **Jun. 10, 2016**

Related U.S. Application Data

- (62) Division of application No. 29/520,052, filed on Mar. 10, 2015, now Pat. No. Des. 763,236.
- (51) **LOC (10) Cl.** **14-03**
- (52) **U.S. Cl.**
 USPC **D14/239**
- (58) **Field of Classification Search**
 USPC D14/239, 371, 136, 374-377; D8/363, D8/373, 349, 394; 248/465, 917-924, 248/123.11; 348/825, 827, 836, 837, 838, 348/180, 184, 325, 739; 600/443; D6/477-479, 407, 474, 460, 461, 468; 312/7.2; 341/12; 345/87, 104, 133, 156, 345/168, 169, 173; 720/605, 669, 600, 720/655; 369/99, 197; 455/344-347; 349/1, 2, 11, 62; 108/59, 91, 92, 96; 211/40, 41.12, 42, 49.1, 50, 85.2, 90.04, 211/187, 190, 119.003, 134.153, 87.01, 211/71.01
- CPC A47B 43/00; G03B 1/00
- See application file for complete search history.

(56) **References Cited**

U.S. PATENT DOCUMENTS

- D530,595 S 10/2006 Lam et al.
 7,152,836 B2 12/2006 Pfister et al.
 D539,566 S 4/2007 Anderson
 D593,080 S 5/2009 Russell et al.

(Continued)

Primary Examiner — Randall Gholson

(74) *Attorney, Agent, or Firm* — Foley & Lardner LLP

(57) **CLAIM**

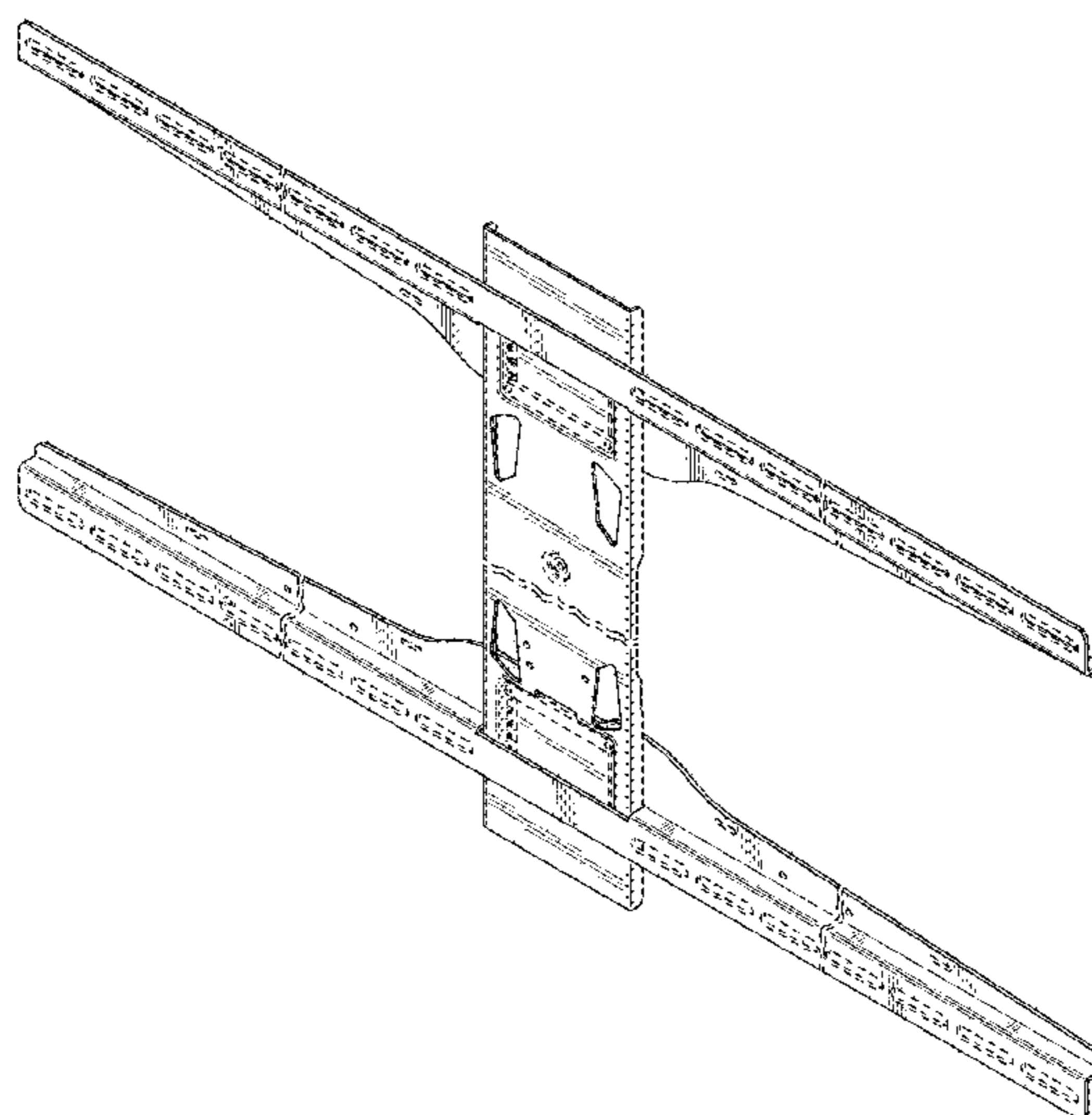
We claim the ornamental design for a mounting assembly for use in mounting audio/visual devices or the like, as shown and described.

DESCRIPTION

FIG. 1 is a top, front, right perspective view of one embodiment of the claimed design;
 FIG. 2 is a front elevation view thereof;
 FIG. 3 is a rear elevation view thereof;
 FIG. 4 is a top plan view thereof;
 FIG. 5 is a bottom plan view thereof;
 FIG. 6 is a left side elevation view thereof;
 FIG. 7 is a right side elevation view thereof;
 FIG. 8 is a top, front, right perspective view of another embodiment of the claimed design;
 FIG. 9 is a front elevation view thereof;
 FIG. 10 is a rear elevation view thereof;
 FIG. 11 is a top plan view thereof;
 FIG. 12 is a bottom plan view thereof;
 FIG. 13 is a left side elevation view thereof; and,
 FIG. 14 is a right side elevation view thereof.

The ornamental design which is claimed is shown in solid lines in the drawings. The broken lines formed by dashes show unclaimed subject matter and form no part of the claimed design. The broken away symbols in the drawings indicate the appearance of any portion of the article between the break lines that forms no part of the claimed design.

1 Claim, 8 Drawing Sheets



(56)

References Cited

U.S. PATENT DOCUMENTS

| | | | | |
|--------------|------|---------|----------------|----------------------|
| D595,277 | S | 6/2009 | Bremmon et al. | |
| D598,458 | S | 8/2009 | Li | |
| 7,722,002 | B2 | 5/2010 | O'Keene et al. | |
| D624,061 | S | 9/2010 | Smith et al. | |
| D627,787 | S | 11/2010 | Grey et al. | |
| 7,823,850 | B1 | 11/2010 | Lam et al. | |
| D631,875 | S | 2/2011 | Skull et al. | |
| 7,963,489 | B2 | 6/2011 | O'Keene et al. | |
| D641,369 | S | 7/2011 | Skull et al. | |
| D643,421 | S | 8/2011 | Russell et al. | |
| 8,079,311 | B2 * | 12/2011 | Whalen | F16M 11/00 108/42 |
| 8,128,049 | B2 | 3/2012 | Walters | |
| 8,154,885 | B2 | 4/2012 | Anderson | |
| D703,643 | S | 4/2014 | Badillo et al. | |
| D747,724 | S * | 1/2016 | Kulkarni | D14/452 |
| 2012/0261362 | A1 | 10/2012 | Skull et al. | |

* cited by examiner

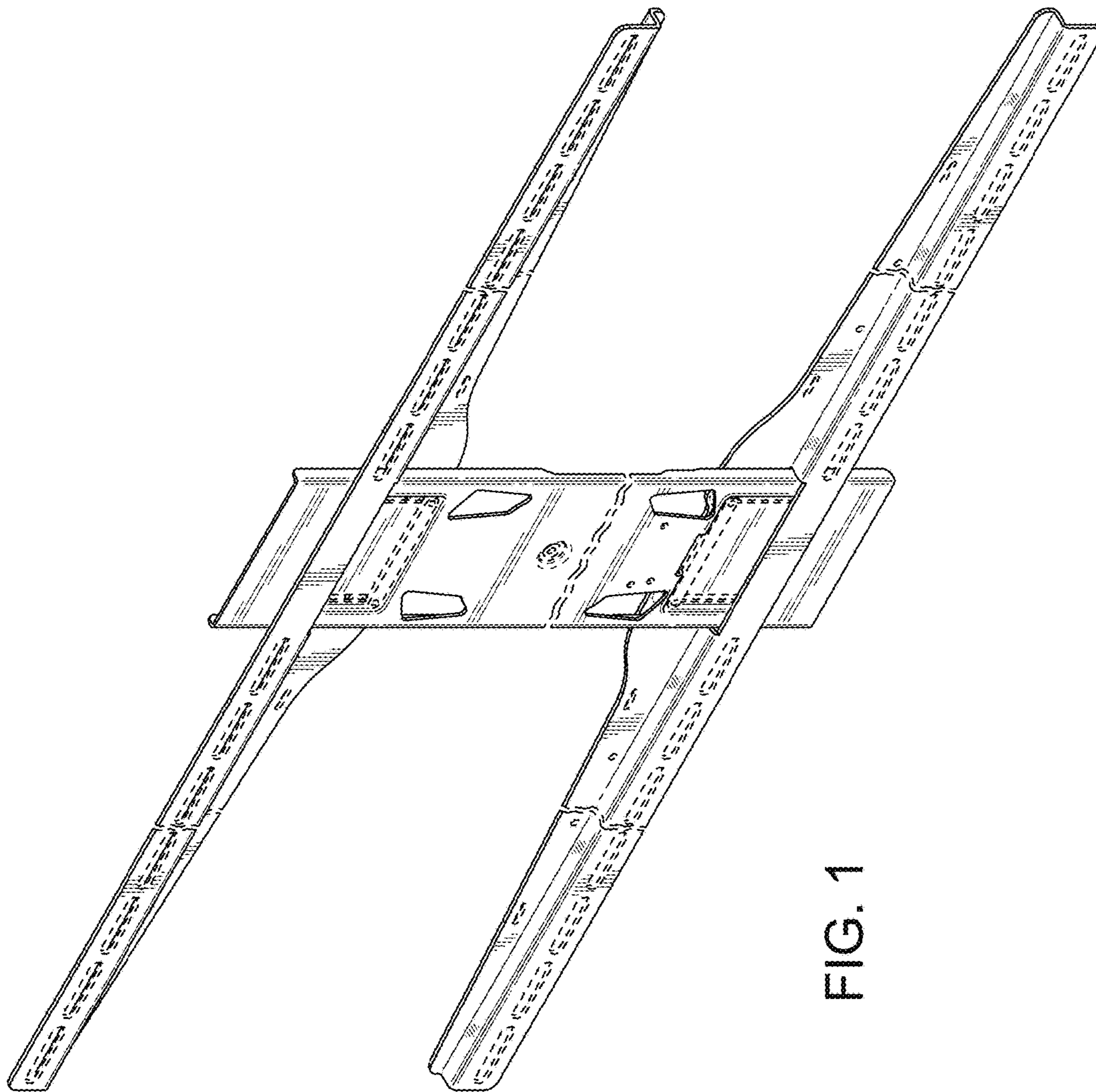


FIG. 1

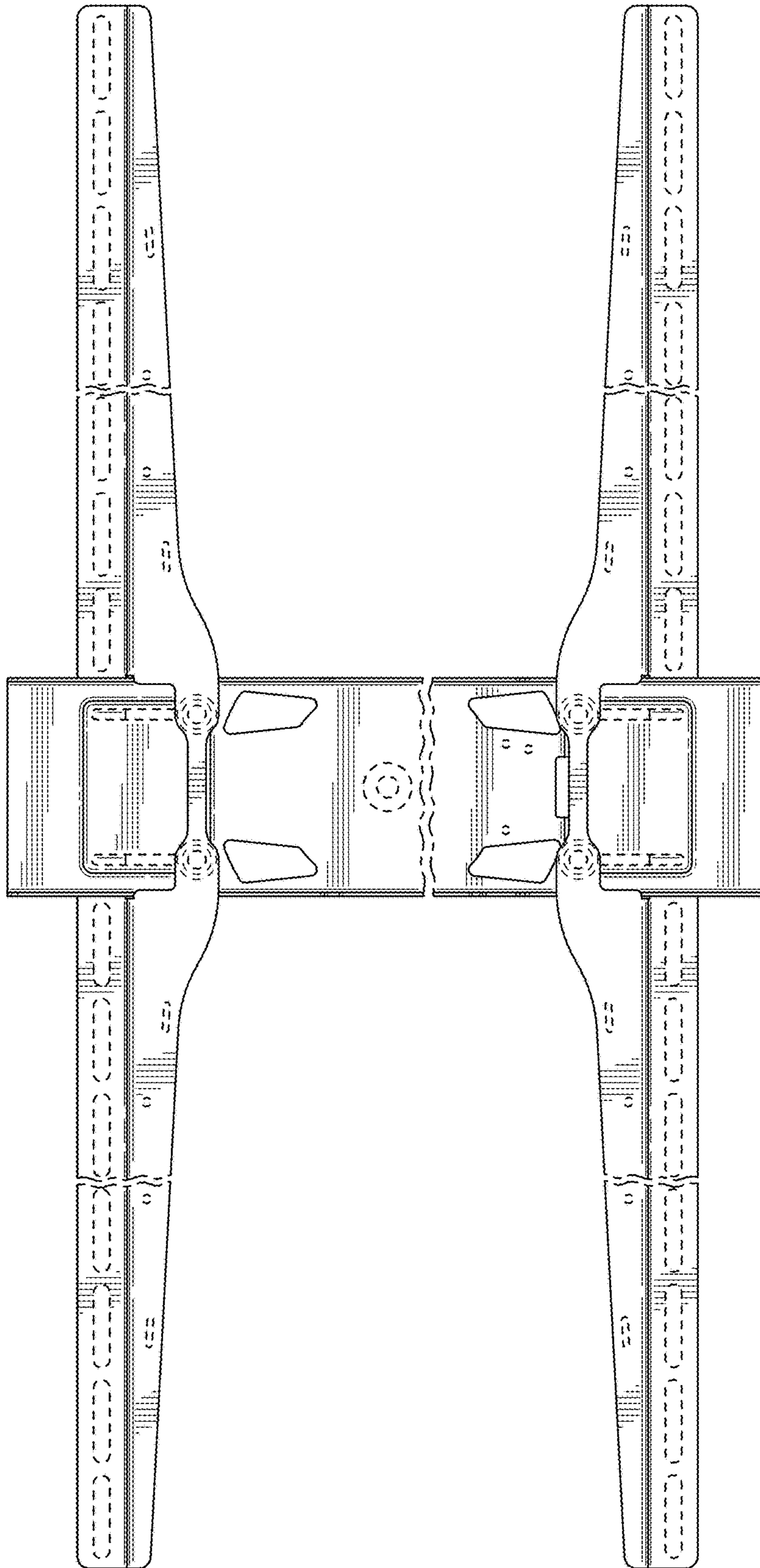


FIG. 3

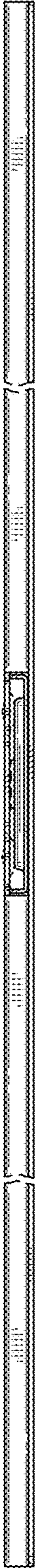


FIG. 4

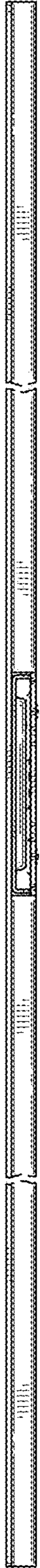


FIG. 5



FIG. 6

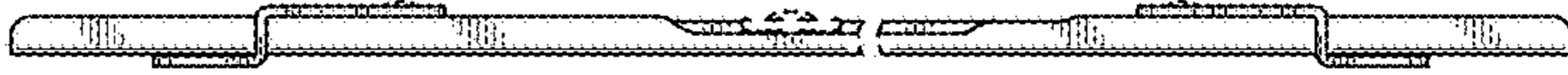


FIG. 7

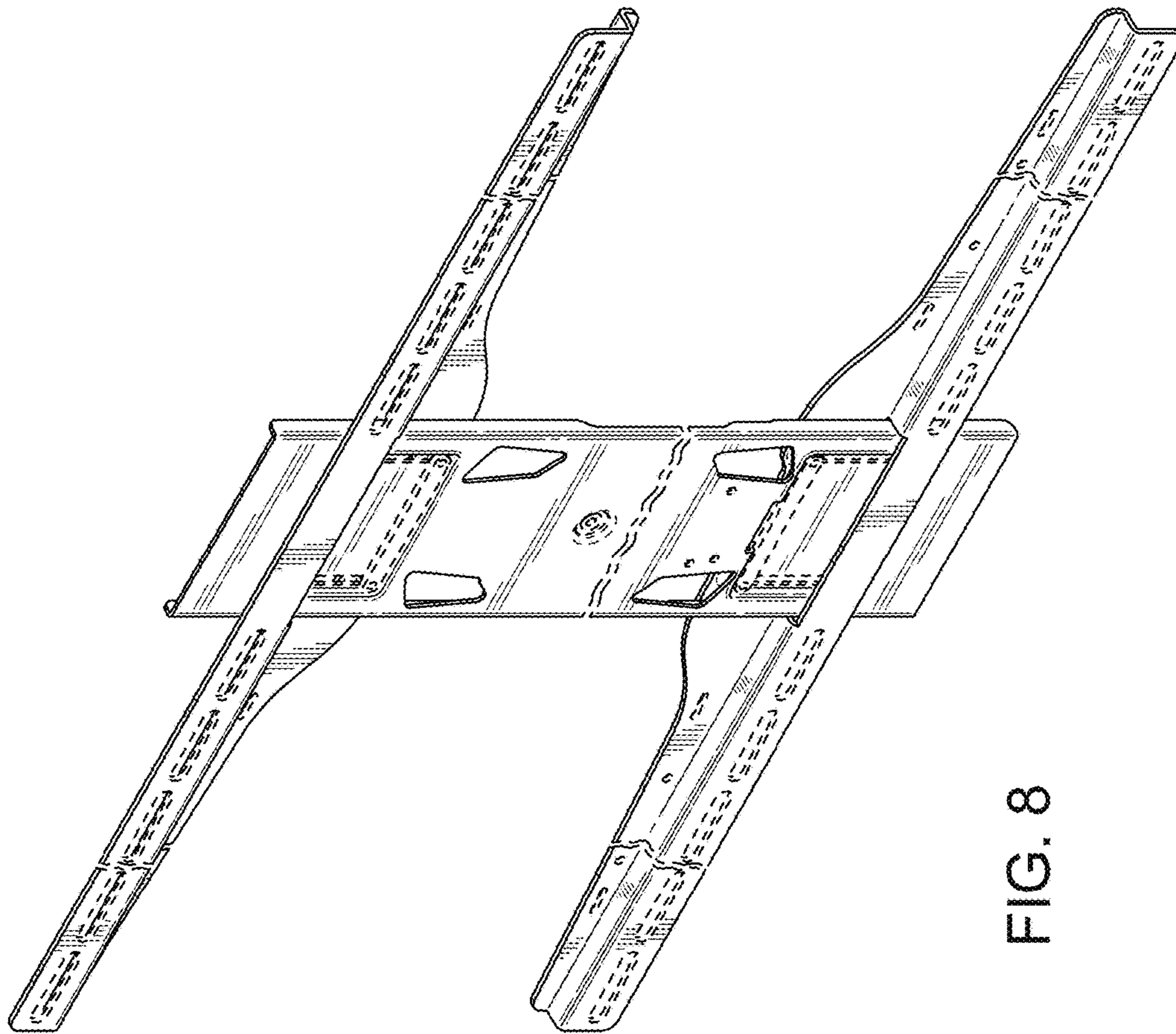


FIG. 8

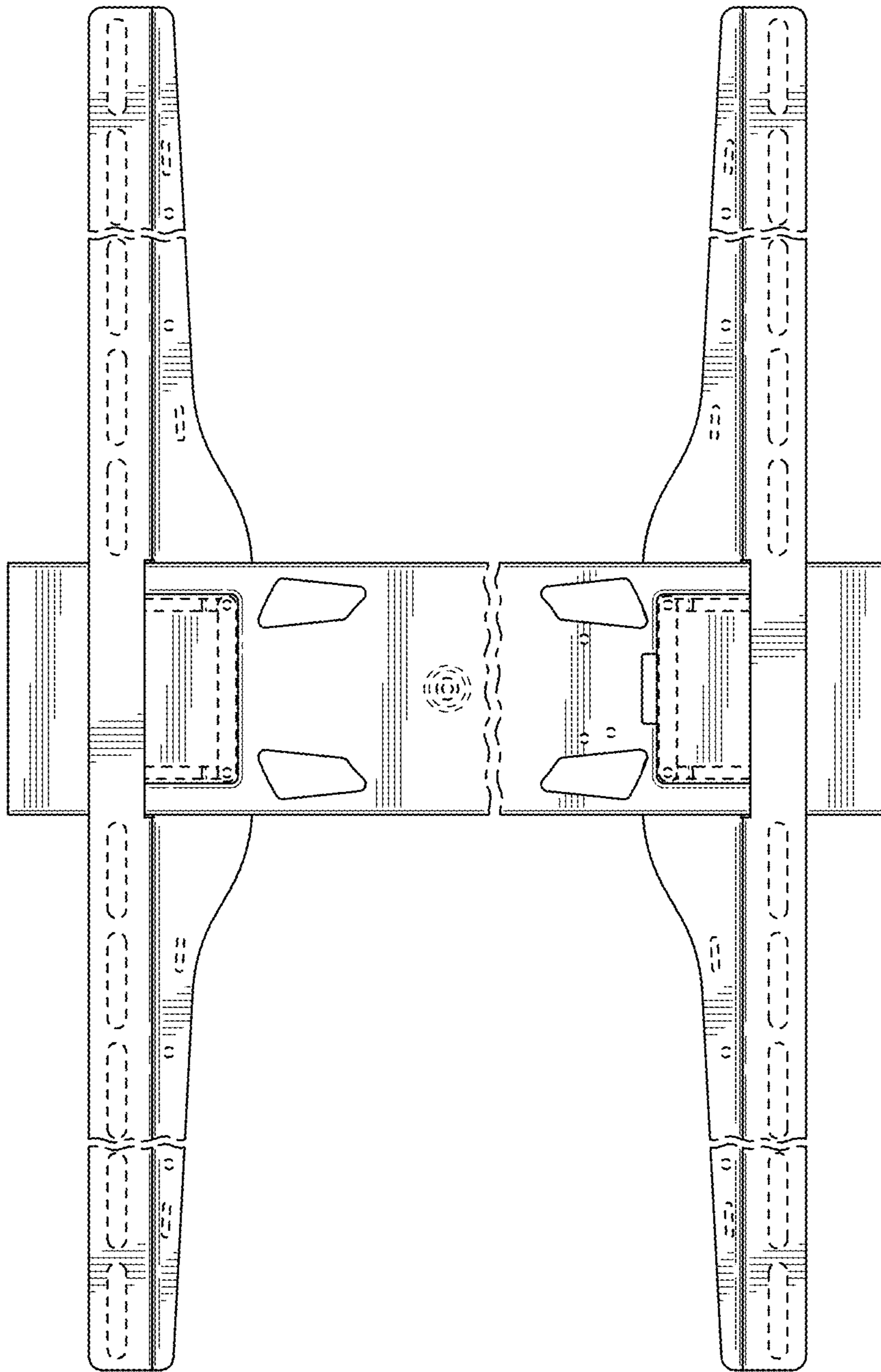


FIG. 9

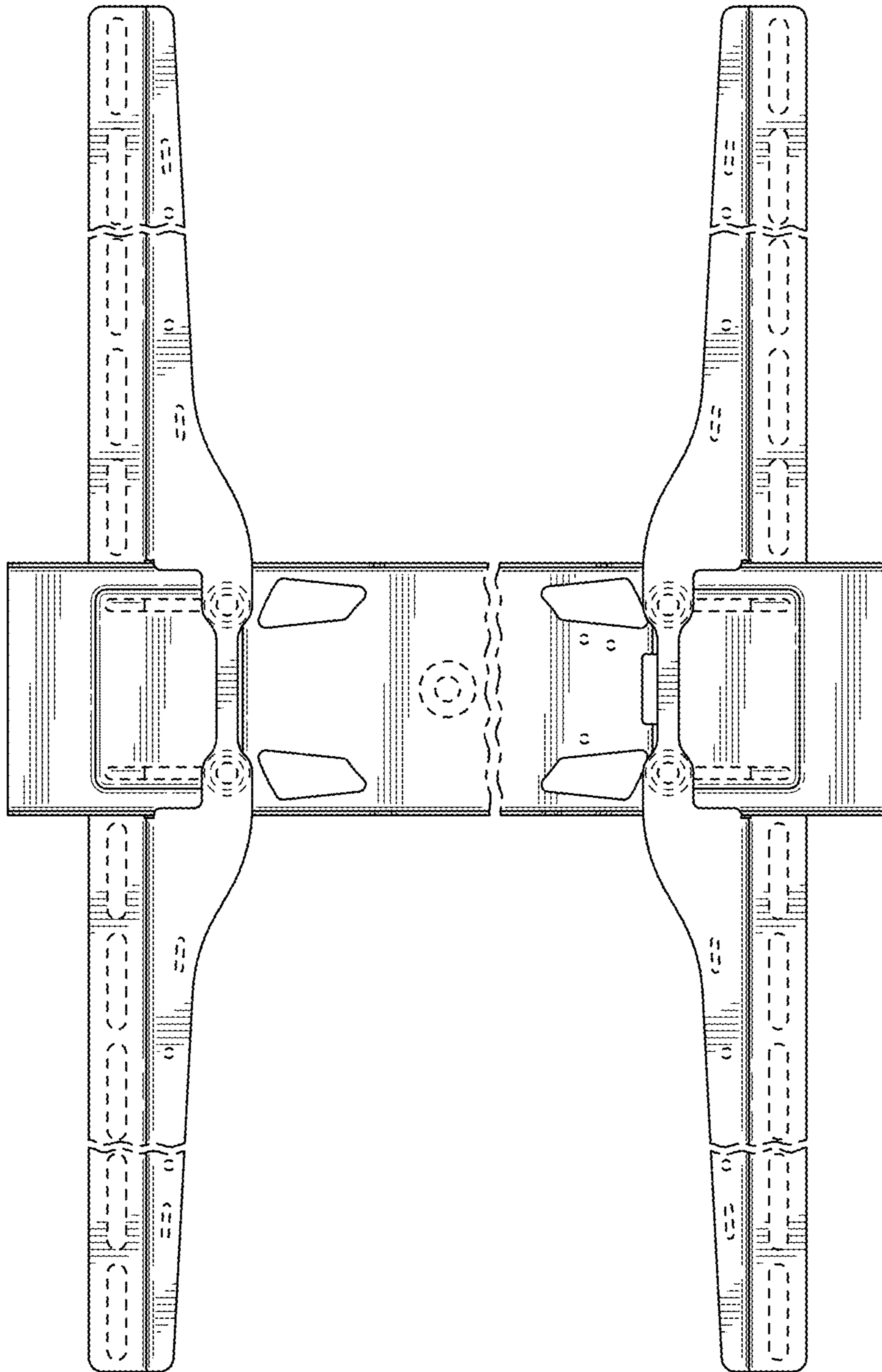


FIG. 10



FIG. 11



FIG. 12



FIG. 13

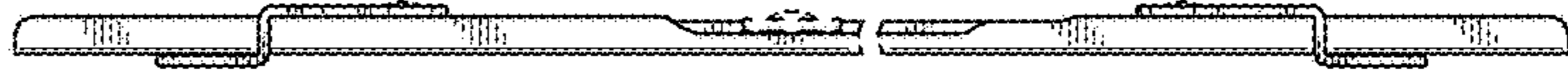


FIG. 14