



US00D787483S

(12) **United States Design Patent**  
**Forster**

(10) **Patent No.:** **US D787,483 S**

(45) **Date of Patent:** **\*\* May 23, 2017**

(54) **ANTENNA DESIGN**  
(71) Applicant: **Avery Dennison Retail Information Services, LLC**, Mentor, OH (US)  
(72) Inventor: **Ian J. Forster**, Essex (GB)  
(73) Assignee: **EVERY DENNISON RETAIL INFORMATION SERVICES, LLC**, Westborough, MA (US)

(\*\*) Term: **15 Years**

(21) Appl. No.: **29/563,196**

(22) Filed: **May 3, 2016**

(51) **LOC (10) Cl.** ..... **14-03**

(52) **U.S. Cl.**  
USPC ..... **D14/230**

(58) **Field of Classification Search**  
USPC ..... D14/138, 230–238.1, 299, 358;  
D12/42–43; D13/182; D8/396;  
248/68.1  
CPC ..... H01L 33/48; H01L 33/486; H01L 23/02;  
H05K 5/00; H01Q 13/10; H01Q 7/00;  
F16L 3/2235; F16L 3/227; Y10T  
403/7141

See application file for complete search history.

(56) **References Cited**

**U.S. PATENT DOCUMENTS**

D380,140 S \* 6/1997 Siemens ..... D25/199  
5,791,654 A \* 8/1998 Gaines ..... H05K 9/0015  
174/357

D535,647 S \* 1/2007 Hall ..... D14/230  
D587,693 S \* 3/2009 Ohshima ..... D14/230  
D684,564 S \* 6/2013 Forster ..... D14/230  
D704,169 S \* 5/2014 Forster ..... D14/230  
D710,338 S \* 8/2014 Forster ..... D14/230  
D710,833 S \* 8/2014 Zheng ..... D14/230  
D716,241 S \* 10/2014 Kouchi ..... D13/182  
D716,275 S \* 10/2014 Forster ..... D14/230  
D733,531 S \* 7/2015 Tonthat ..... D8/354  
D736,074 S \* 8/2015 Soliman ..... D8/394  
D771,601 S \* 11/2016 Chen ..... D14/230

\* cited by examiner

*Primary Examiner* — Catherine Tuttle

*Assistant Examiner* — Mary Malley

(74) *Attorney, Agent, or Firm* — Avery Dennison Retail Information Services, LLC

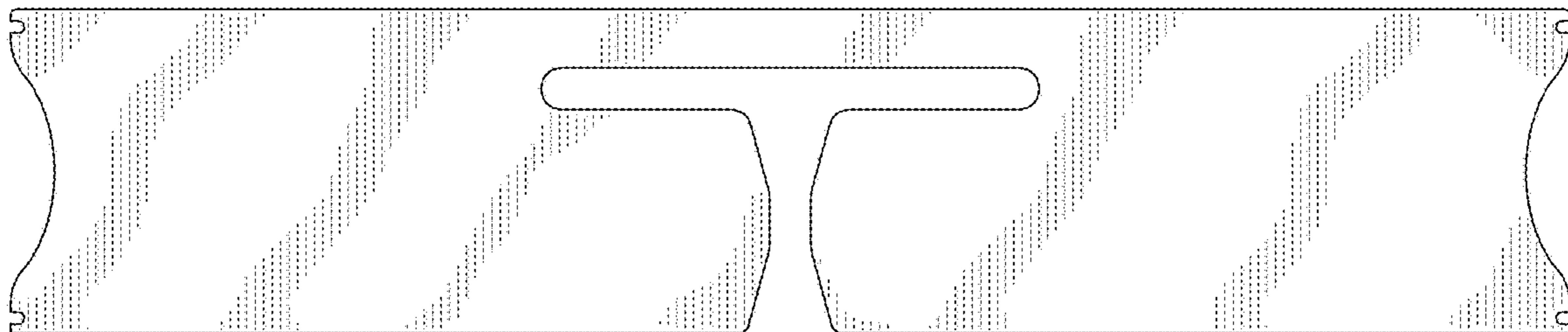
(57) **CLAIM**

The ornamental design for an antenna, as shown and described.

**DESCRIPTION**

FIG. 1 is an isometric view of our new antenna design; and, FIG. 2 is a top view of the new antenna design.

**1 Claim, 2 Drawing Sheets**



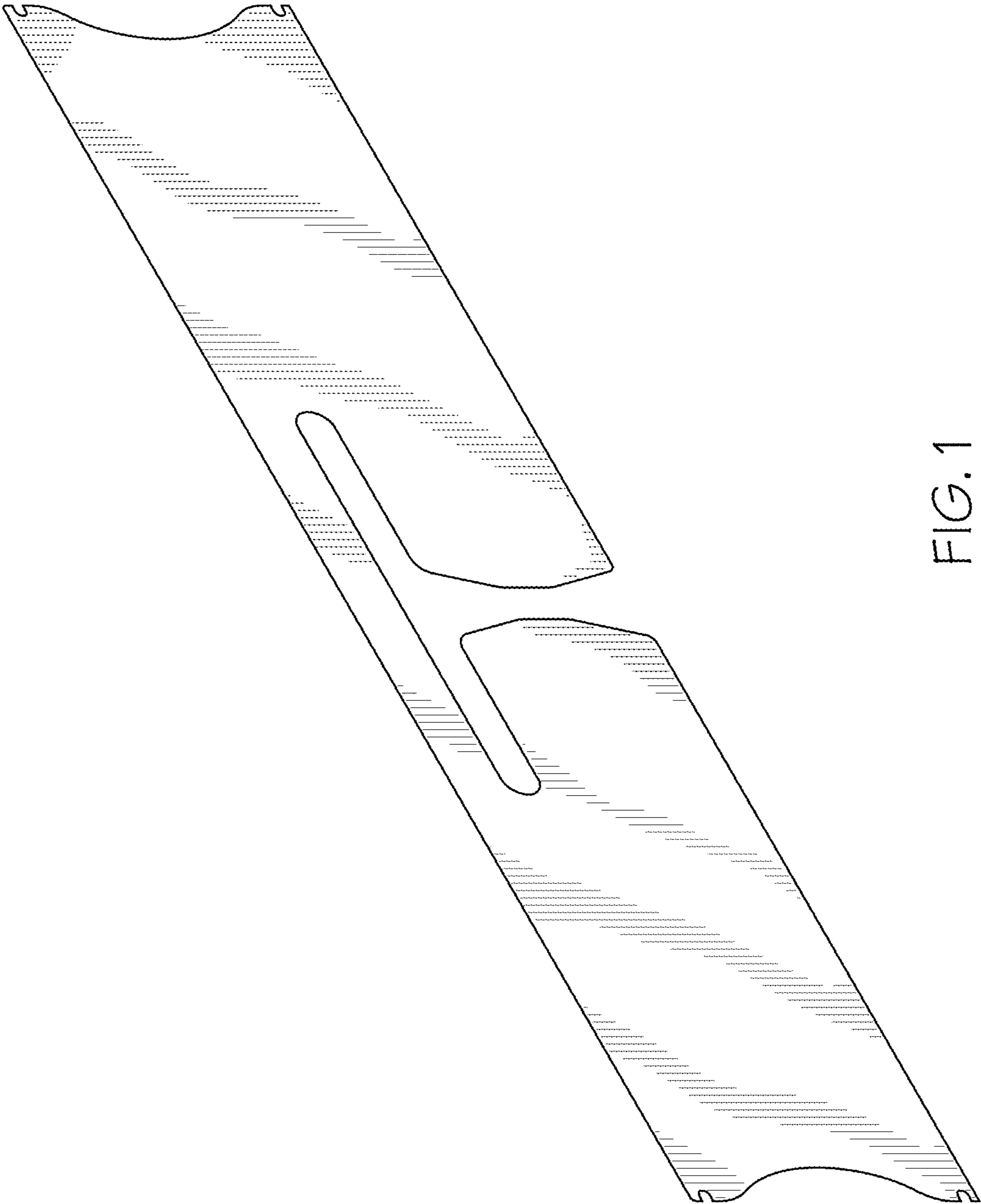


FIG. 1

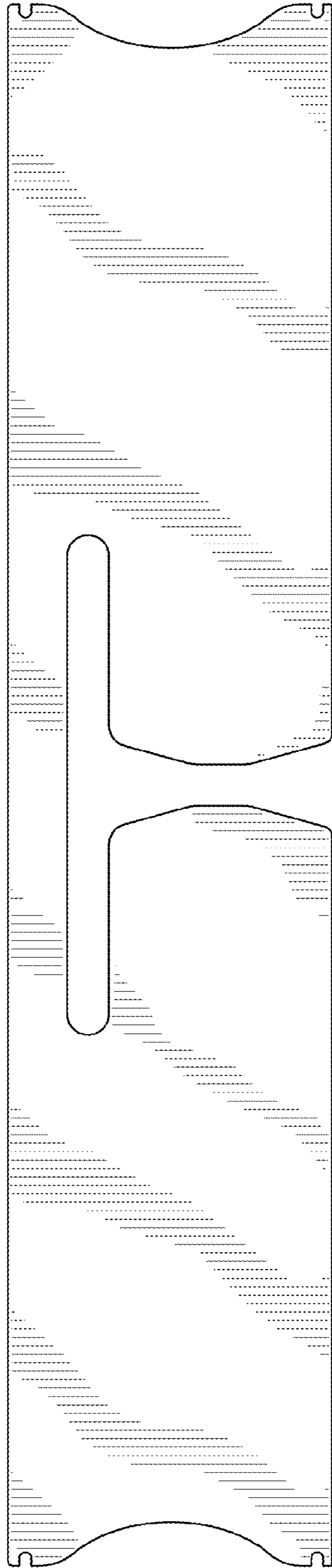


FIG. 2