



US00D787482S

(12) **United States Design Patent**
Jang et al.

(10) **Patent No.:** **US D787,482 S**
(45) **Date of Patent:** **** May 23, 2017**

(54) **ANTENNA**

(71) Applicant: **Samsung Electronics Co., Ltd.**,
Suwon-si (KR)
(72) Inventors: **Moonjung Jang**, Gunpo-si (KR);
Jihyun Moon, Gwangmyeong-si (KR);
Eun-ae Lee, Seoul (KR)
(73) Assignee: **Samsung Electronics Co., Ltd.**,
Suwon-si (KR)
(**) Term: **15 Years**

(21) Appl. No.: **29/541,571**

(22) Filed: **Oct. 6, 2015**

(30) **Foreign Application Priority Data**

Jul. 28, 2015 (KR) 30-2015-0038057

(51) **LOC (10) Cl.** **14-03**

(52) **U.S. Cl.**
USPC **D14/230**

(58) **Field of Classification Search**

USPC D14/138, 230–238.1, 299, 358;
D12/42–43, 345, 400; D13/182; D8/396;
248/68.1; 343/711–713, 700 R–705, 819,
343/871–908, 795, 840, 841, 846, 725;
D6/682; D22/147; D25/67; 455/91,
455/128, 269, 345, 562.1, 575.9
CPC F16L 3/2235; F16L 3/227; F16L 3/221;
Y10T 403/7141; H01L 33/48; H01L
33/486; H01L 23/02; H05K 5/00; H05K
11/00; H01Q 13/10; H01Q 7/00; H01Q
9/285; H01Q 19/30; H01Q 19/12; H01Q
1/38; H01Q 1/42; H01Q 1/28; H01Q
1/3275; H01Q 1/1235; H01Q 1/1228;
H01Q 1/1207; H01Q 1/52; H01Q 1/281;
H01Q

(Continued)

(56) **References Cited**

U.S. PATENT DOCUMENTS

4,173,187 A * 11/1979 Steverding B64G 1/58
244/117 A
5,521,610 A * 5/1996 Rodal H01Q 9/285
343/797

(Continued)

FOREIGN PATENT DOCUMENTS

CN 201330379620 3/2014
CN 303348057 * 8/2015

(Continued)

OTHER PUBLICATIONS

Spectracom. “GPS/GNSS Antennas and Accessories”. [2016] www.
spectracom.com Jan. 6, 2016 <<http://spectracom.com/products-services/precision-timing/gpsgnss-antennas-and-accessories#>>.

(Continued)

Primary Examiner — Catherine Tuttle

Assistant Examiner — Mary Malley

(74) *Attorney, Agent, or Firm* — NSIP Law

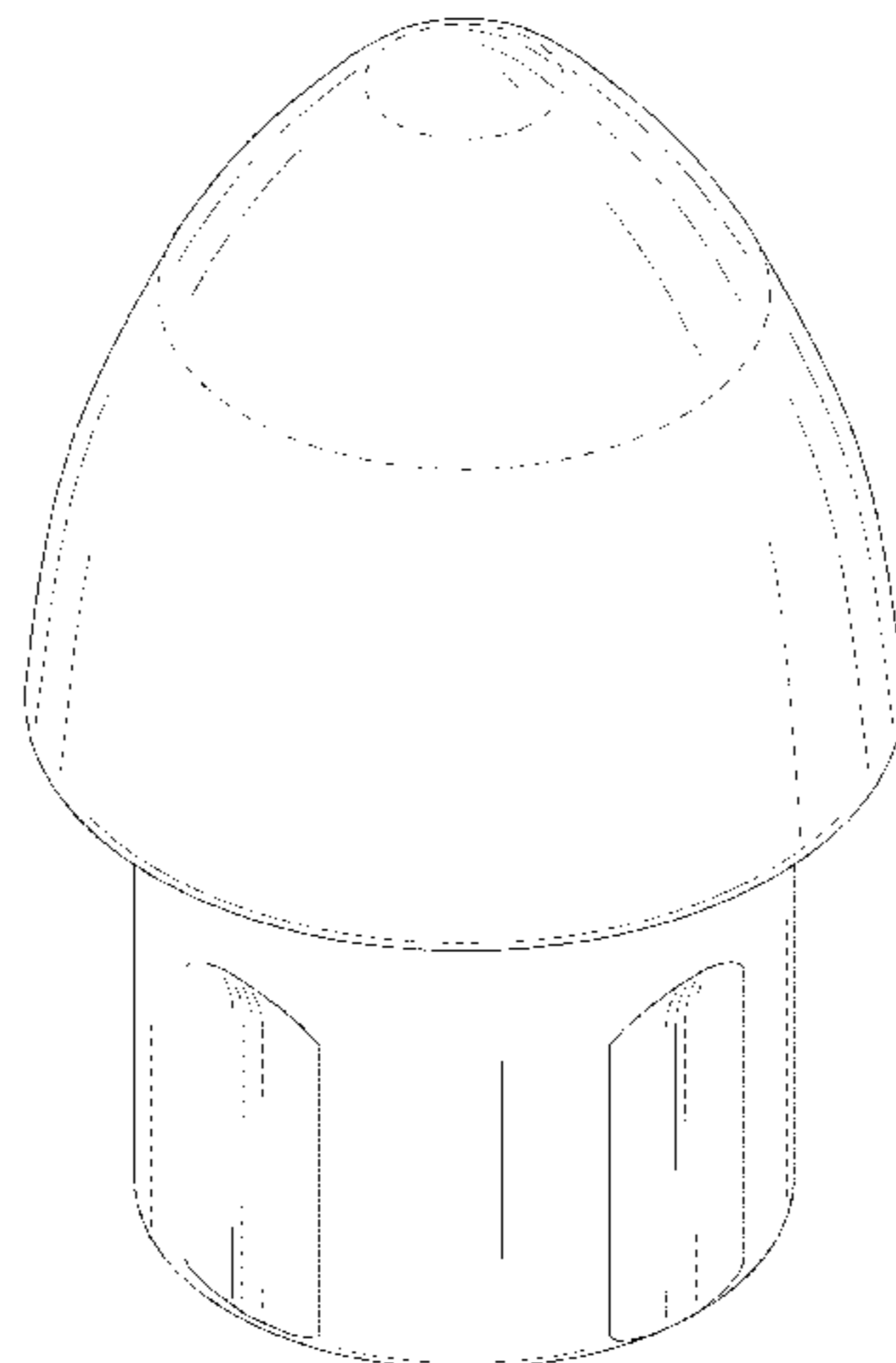
(57) **CLAIM**

We claim the ornamental design for an antenna, as shown
and described.

DESCRIPTION

FIG. 1 is a front perspective view of an antenna showing our
new design;
FIG. 2 is a front view thereof;
FIG. 3 is a rear view thereof;
FIG. 4 is a left-side view thereof;
FIG. 5 is a right-side view thereof;
FIG. 6 is a top view thereof;
FIG. 7 is a bottom view thereof; and,
FIG. 8 is a rear perspective view thereof.
The broken lines in the figures show portions of the antenna
which form no part of the claimed design.

1 Claim, 8 Drawing Sheets



(58) **Field of Classification Search**

CPC 1/08; H01Q 1/1242; H01Q 1/125; H01Q 21/06; H01Q 1/18; H01Q 1/32; H01Q 1/24; H01Q 1/36; B64C 7/00; B64C 1/36; B64G 1/222; E04B 1/3441; E04B 1/1903; E04G 11/48; E04G 7/14; E04C 3/005; E04C 3/08; A63B 1/00; C04B 35/584; F41H 11/02; F42B 15/34; F42B 10/46; G01C 21/005; G01S 7/03

See application file for complete search history.

2002/0066827	A1 *	6/2002	Hyde	B64C 1/36 244/134 R
2009/0314890	A1 *	12/2009	Koehler	B64C 1/36 244/119
2010/0295749	A1 *	11/2010	Vanliere	H01Q 1/42 343/872
2013/0321225	A1 *	12/2013	Pettus	H01Q 3/08 343/765
2014/0217248	A1 *	8/2014	Kato	H01Q 1/12 248/162.1
2014/0285394	A1 *	9/2014	Truthan	H01Q 1/242 343/860

(56)

References Cited

U.S. PATENT DOCUMENTS

5,652,631	A *	7/1997	Bullen	H01Q 1/281 343/753
6,745,981	B1 *	6/2004	Rainer	B64C 1/36 244/118.1
8,167,213	B1 *	5/2012	Stimeck	F42B 5/025 235/451
9,028,103	B2 *	5/2015	Lee	F21K 9/135 362/294
D773,443	S *	12/2016	Sano	D14/230
D775,612	S *	1/2017	Sano	D14/230

FOREIGN PATENT DOCUMENTS

FR	GB 2446707	A *	8/2008	G01S 7/03
WO	WO 9203693	A1 *	3/1992	F24B 10/44
WO	WO 9427339	A1 *	11/1994	B63B 22/18
WO	D087795-001	*	3/2016		

OTHER PUBLICATIONS

Meinberg "GPSANT: GPS Antenna/Converter Unit" [2016] www.meinbergglobal.com Jan. 6, 2016 <<https://www.meinbergglobal.com/english/products/gps-antenna-converter.htm>>.

* cited by examiner

FIG. 1

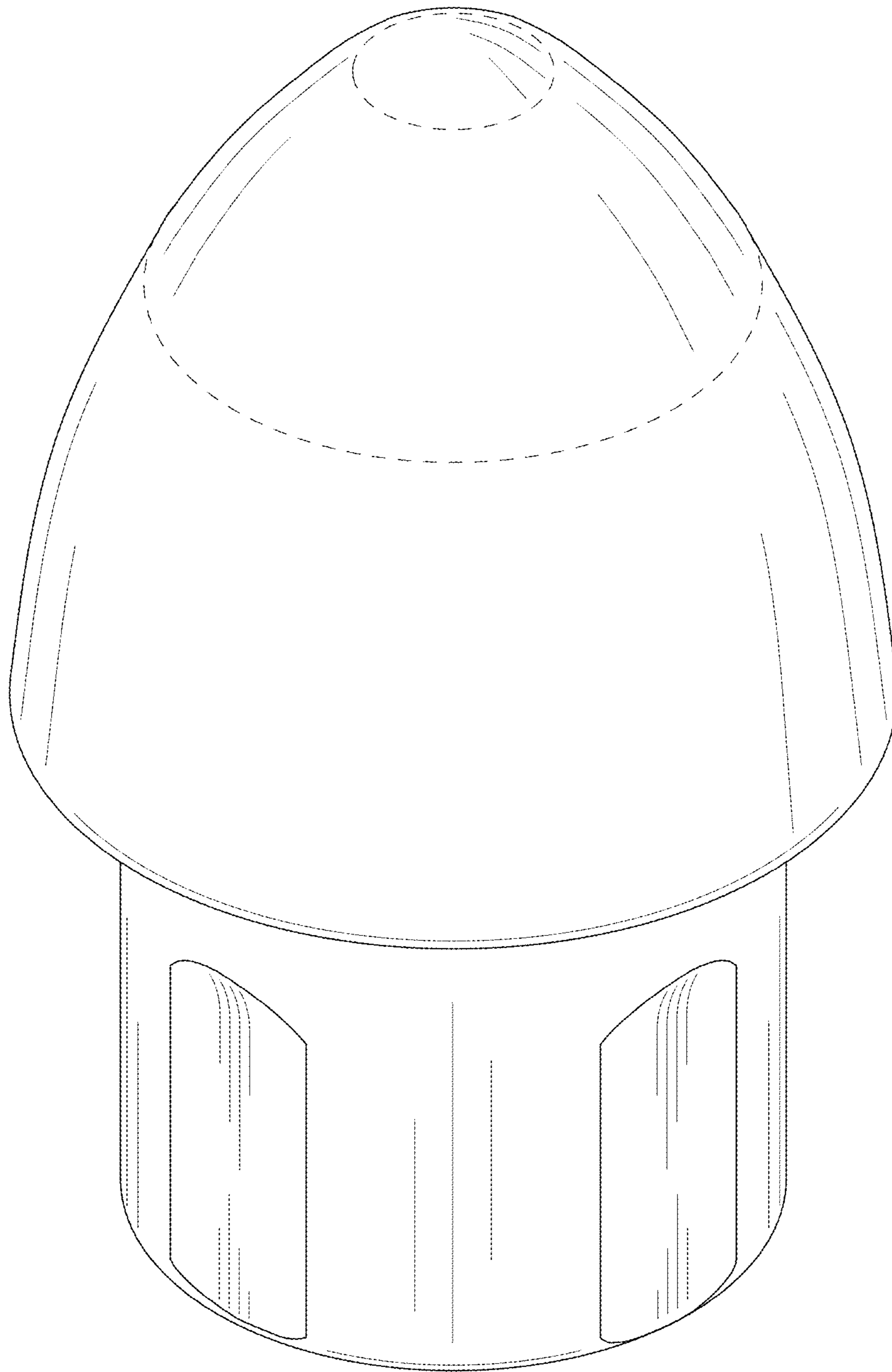


FIG. 2

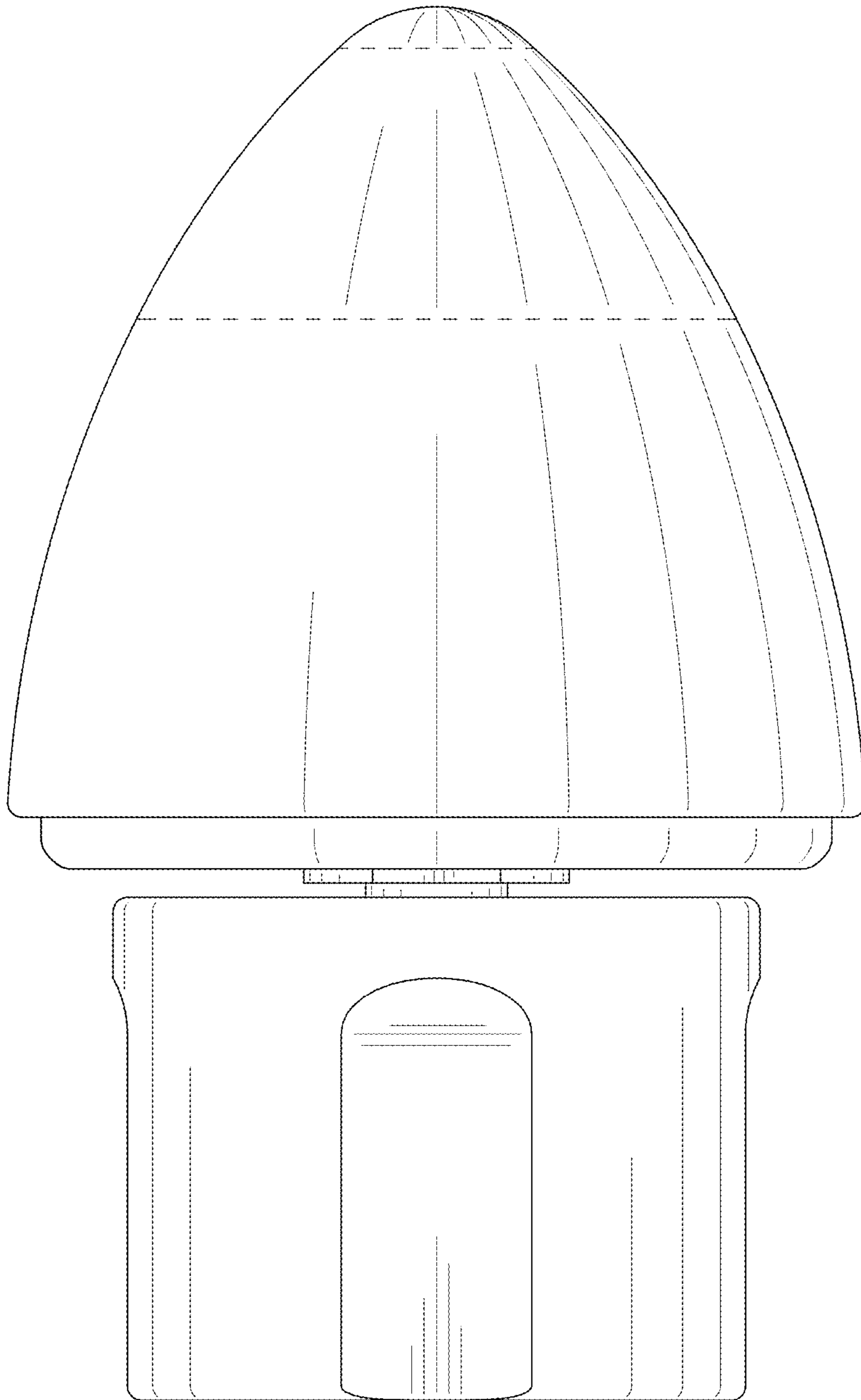


FIG. 3

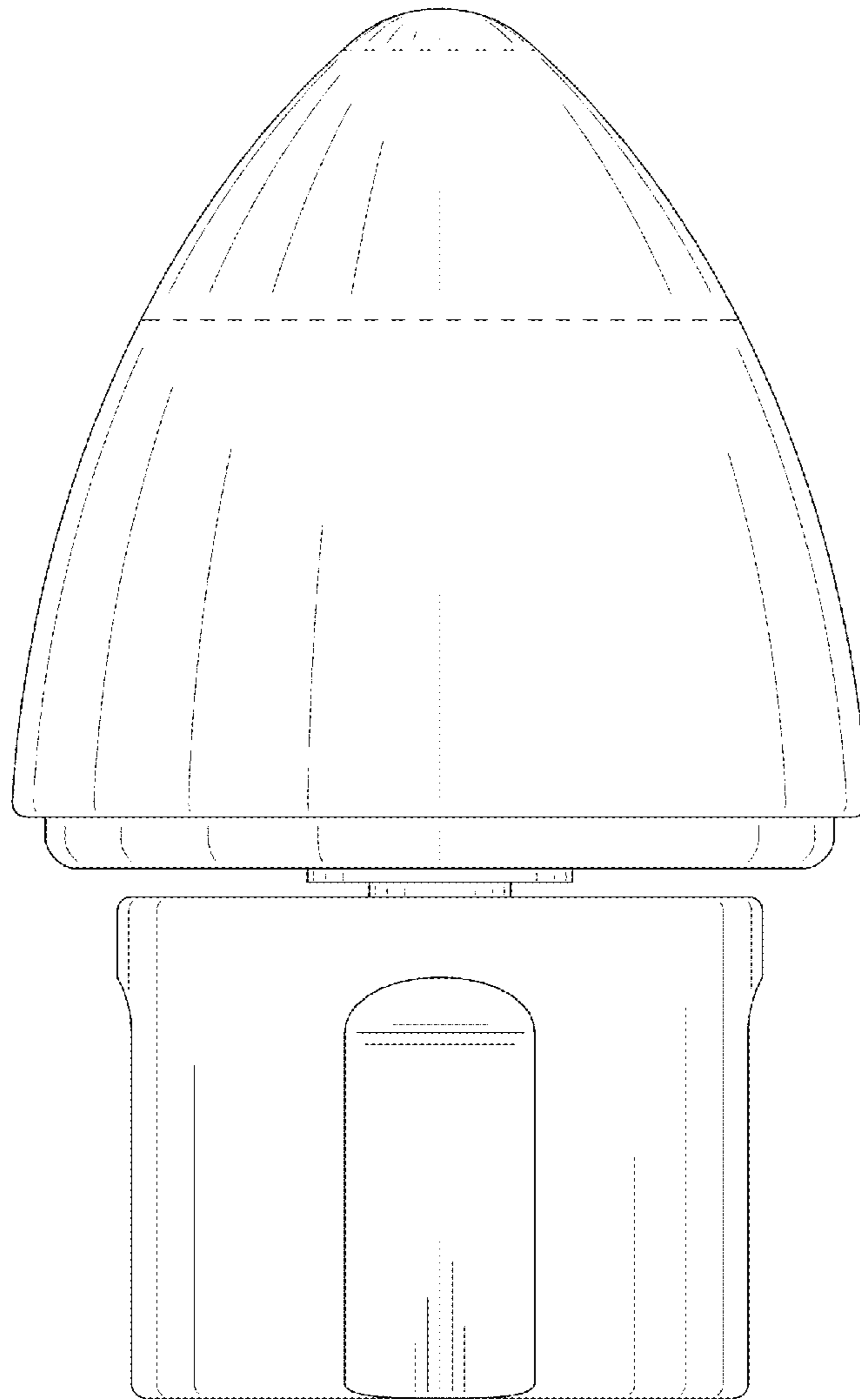


FIG. 4

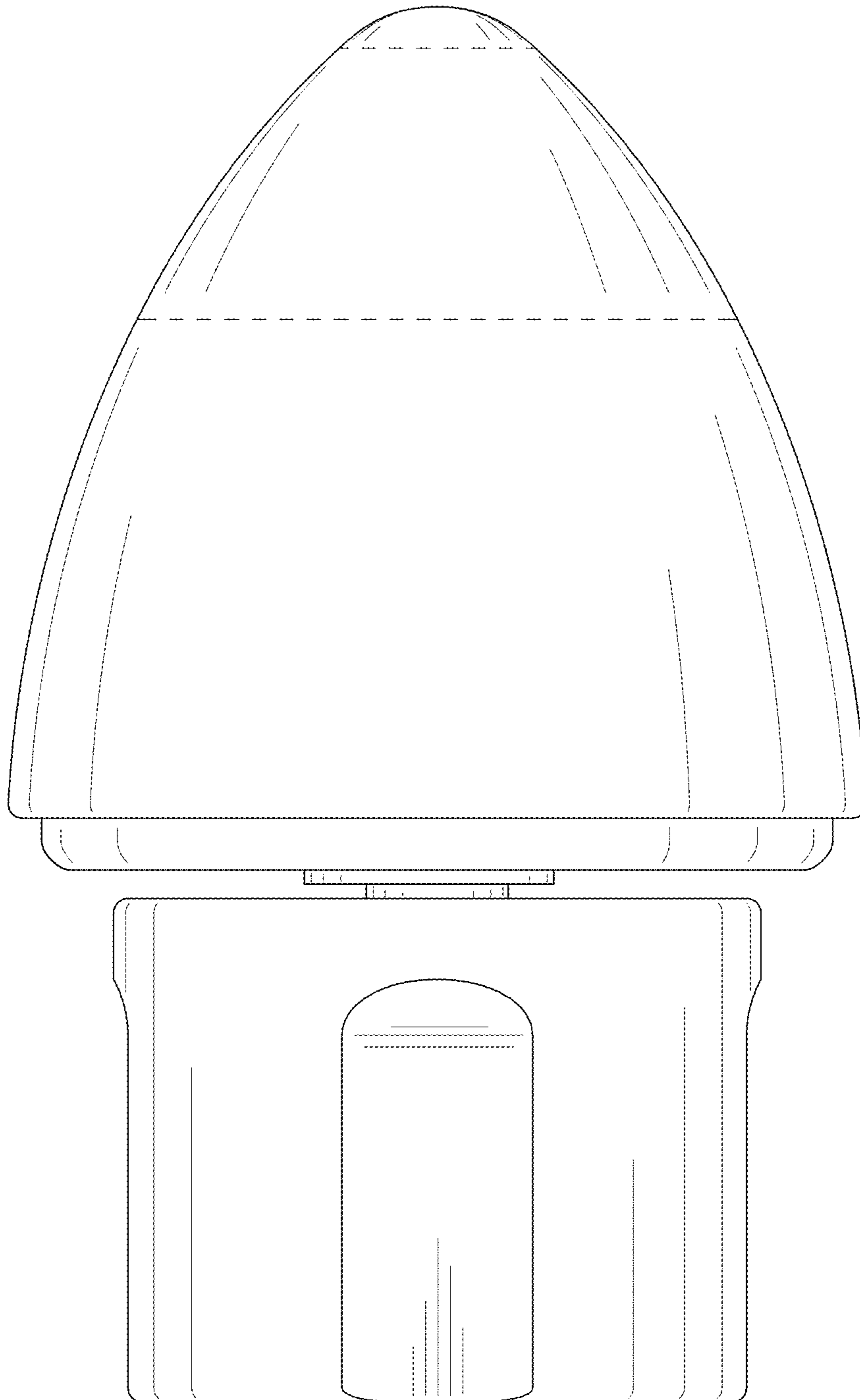


FIG. 5

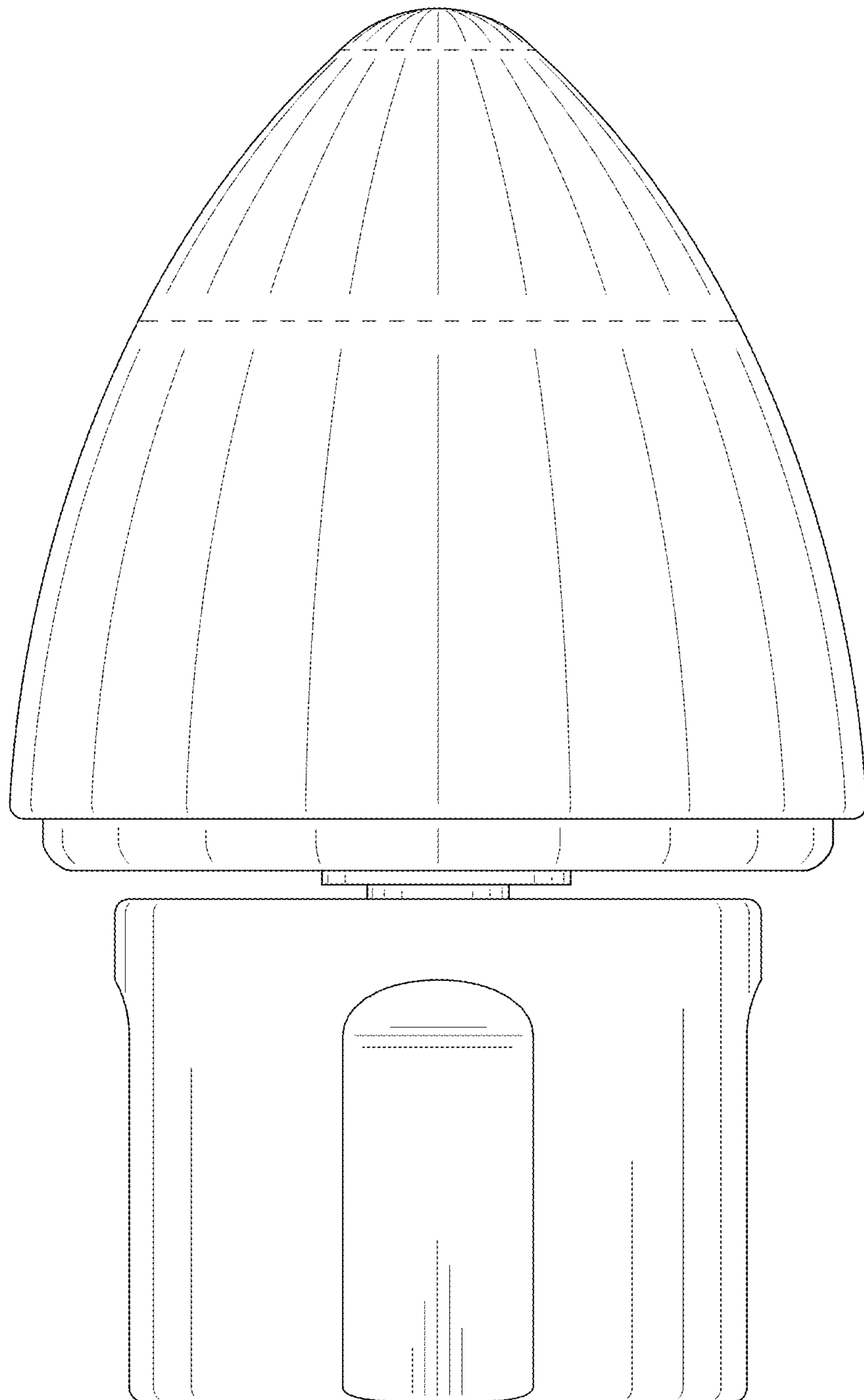


FIG. 6

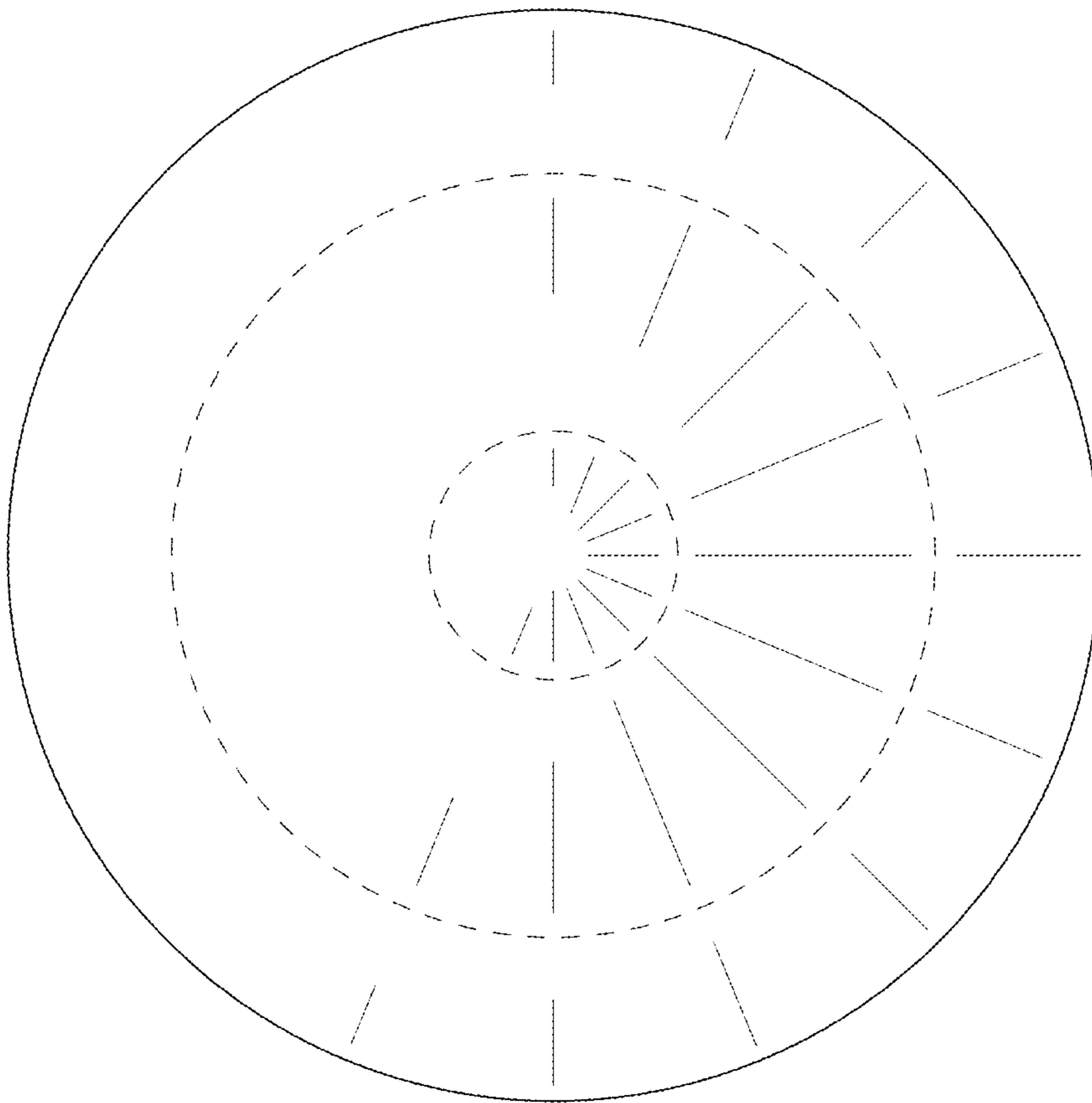


FIG. 7

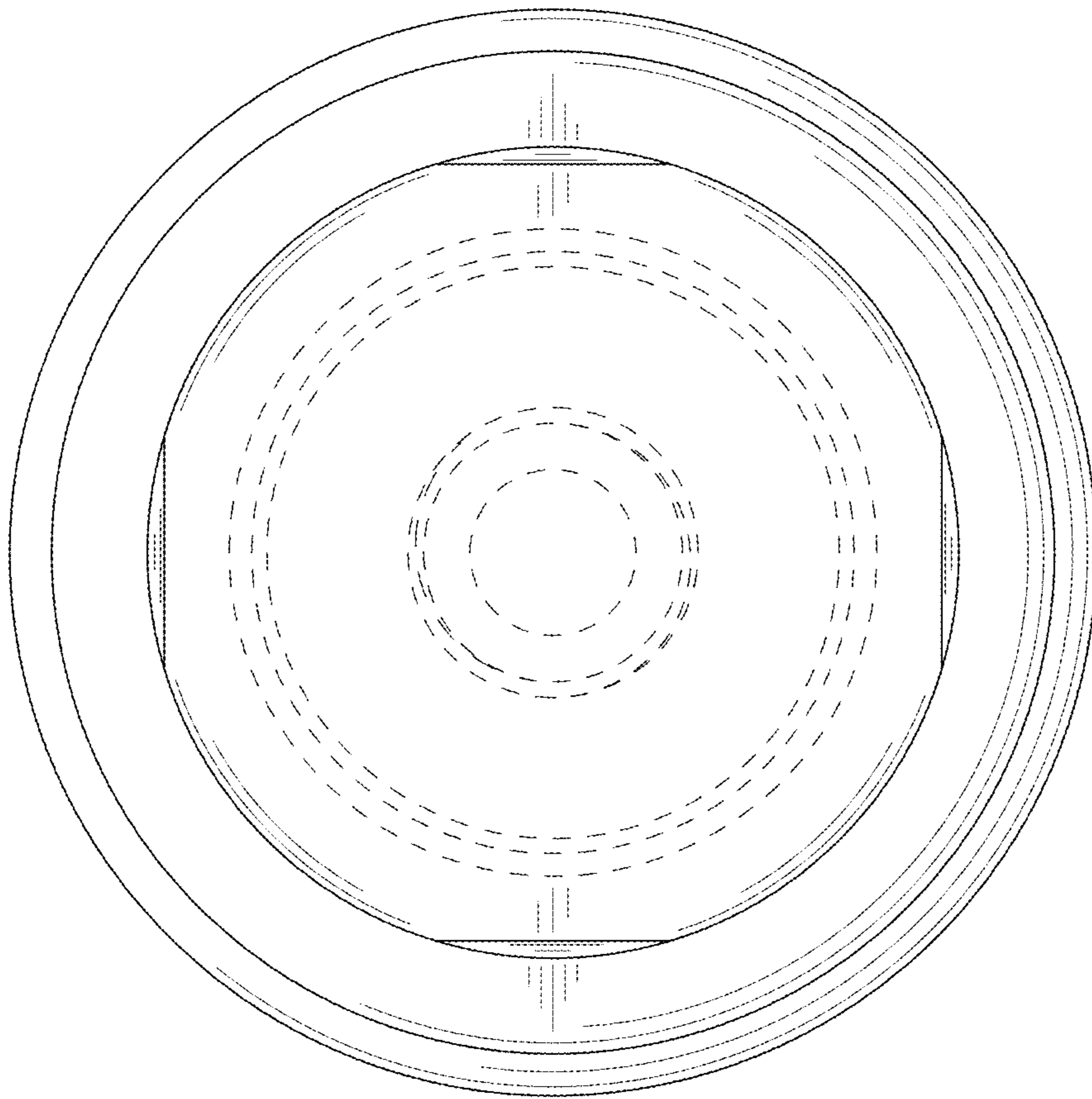


FIG. 8

