



US00D787481S

(12) **United States Design Patent**
Tyssø et al.

(10) **Patent No.:** **US D787,481 S**

(45) **Date of Patent:** **** May 23, 2017**

- (54) **MICROPHONE SUPPORT**
- (71) Applicant: **Cisco Technology, Inc.**, San Jose, CA (US)
- (72) Inventors: **Jorunn Tyssø**, Oslo (NO); **Amanda Maria Magnusson**, Lillestrøm (NO); **Øystein Ellingsrud Hansen**, Oslo (NO); **Johan Ludvig Nielsen**, Oslo (NO)
- (73) Assignee: **Cisco Technology, Inc.**, San Jose, CA (US)
- (**) Term: **15 Years**
- (21) Appl. No.: **29/543,165**
- (22) Filed: **Oct. 21, 2015**
- (51) **LOC (10) Cl.** **14-01**
- (52) **U.S. Cl.**
USPC **D14/229**; D14/226
- (58) **Field of Classification Search**
USPC ... D14/229, 225, 345, 434, 447, 209, 209.1, D14/214, 217, 240, 236, 132; 181/144–145, 147–148, 150, 153, 159, 181/198–199; 381/300–302, 306, 333, 381/345, 361–364, 386–388
CPC G06F 1/16; G06F 1/1628; G06F 1/1613; G06F 1/1626; H04R 1/02; H04N 5/64
See application file for complete search history.

- (56) **References Cited**
U.S. PATENT DOCUMENTS
2,434,860 A * 1/1948 Oxley A47G 1/141 248/444.1
D222,269 S * 10/1971 Gibson D14/229
3,809,352 A * 5/1974 Mathias A47B 23/042 248/444.1
4,160,999 A * 7/1979 Claggett G08B 13/19619 348/151

- 4,504,910 A * 3/1985 Araki B60R 7/081 340/995.26
- D279,674 S * 7/1985 Harley D14/251
- D285,067 S 8/1986 Delbuck
- 4,828,944 A * 5/1989 Yabe H01M 2/1044 220/326
- D306,583 S * 3/1990 Krolopp D13/184
- 4,944,481 A * 7/1990 Yurchenco F16M 11/10 16/308
- 5,064,161 A * 11/1991 Anderson A47B 81/06 248/317
- 5,179,367 A * 1/1993 Shimizu G09F 7/18 248/317

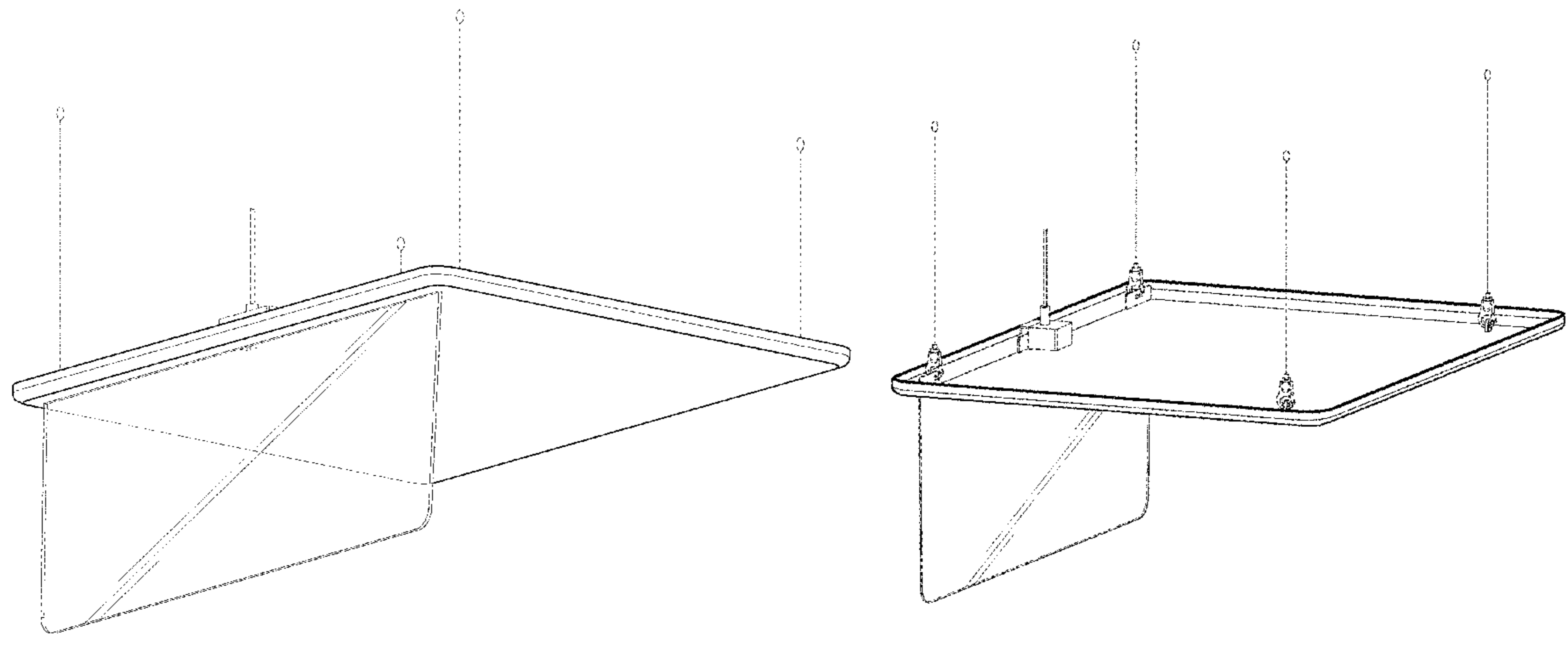
(Continued)

Primary Examiner — Paula Greene
(74) *Attorney, Agent, or Firm* — Edell, Shapiro & Finnan, LLC

(57) **CLAIM**
The ornamental design for a microphone support, as shown and described.

DESCRIPTION
FIG. 1 is a bottom perspective view of a microphone support;
FIG. 2 is a top perspective view of the microphone support of FIG. 1;
FIG. 3 is a top plan view of the microphone support of FIG. 1;
FIG. 4 is a bottom plan view of the microphone support of FIG. 1;
FIG. 5 is a front elevation view of the microphone support of FIG. 1;
FIG. 6 is a rear elevation view of the microphone support of FIG. 1;
FIG. 7 is a first side elevation view of the microphone support of FIG. 1; and,
FIG. 8 is a second side elevation view of the microphone support of FIG. 1.
Any portions shown using dashed lines are for illustrative purposes only and form no part of the claimed design.

1 Claim, 7 Drawing Sheets



(56)

References Cited

U.S. PATENT DOCUMENTS

5,193,220 A * 3/1993 Ichinohe H03J 1/00
307/127
D341,592 S 11/1993 Queen
D359,051 S 6/1995 Hirschhorn
5,467,106 A * 11/1995 Salomon B64D 11/0015
345/87
5,651,525 A * 7/1997 Yang A47B 23/002
248/444.1
D409,597 S * 5/1999 Rosen D14/132
5,946,055 A * 8/1999 Rosen B60K 35/00
224/311
D435,024 S * 12/2000 Rosen D14/132
6,292,236 B1 * 9/2001 Rosen B60R 11/0235
224/311
D472,773 S * 4/2003 Samartgis D7/629
D474,173 S 5/2003 Right et al.
D474,174 S 5/2003 Right et al.
6,633,347 B2 * 10/2003 Kitazawa B60K 35/00
248/919

D514,554 S 2/2006 Arndt et al.
7,148,874 B2 * 12/2006 Anzai F16M 11/10
345/156
D584,612 S * 1/2009 Ianello D9/435
D603,398 S * 11/2009 Watson D14/345
D617,310 S 6/2010 Tatara et al.
D636,724 S * 4/2011 Nomi D13/108
D636,749 S 4/2011 Kucera
8,170,256 B2 * 5/2012 Enstad H04R 1/342
381/338
D705,160 S * 5/2014 Ormesher D13/108
D711,369 S * 8/2014 Eriksson D14/341
D727,259 S * 4/2015 Hwang D13/108
D727,909 S * 4/2015 Woodman D14/434
D730,349 S 5/2015 Burmeister-Brown et al.
D746,285 S * 12/2015 Okabe D14/345
D763,858 S * 8/2016 Fluckiger D14/440
D769,234 S * 10/2016 Rami D14/253
2013/0020216 A1 * 1/2013 Chiou G06F 1/1626
206/320

* cited by examiner

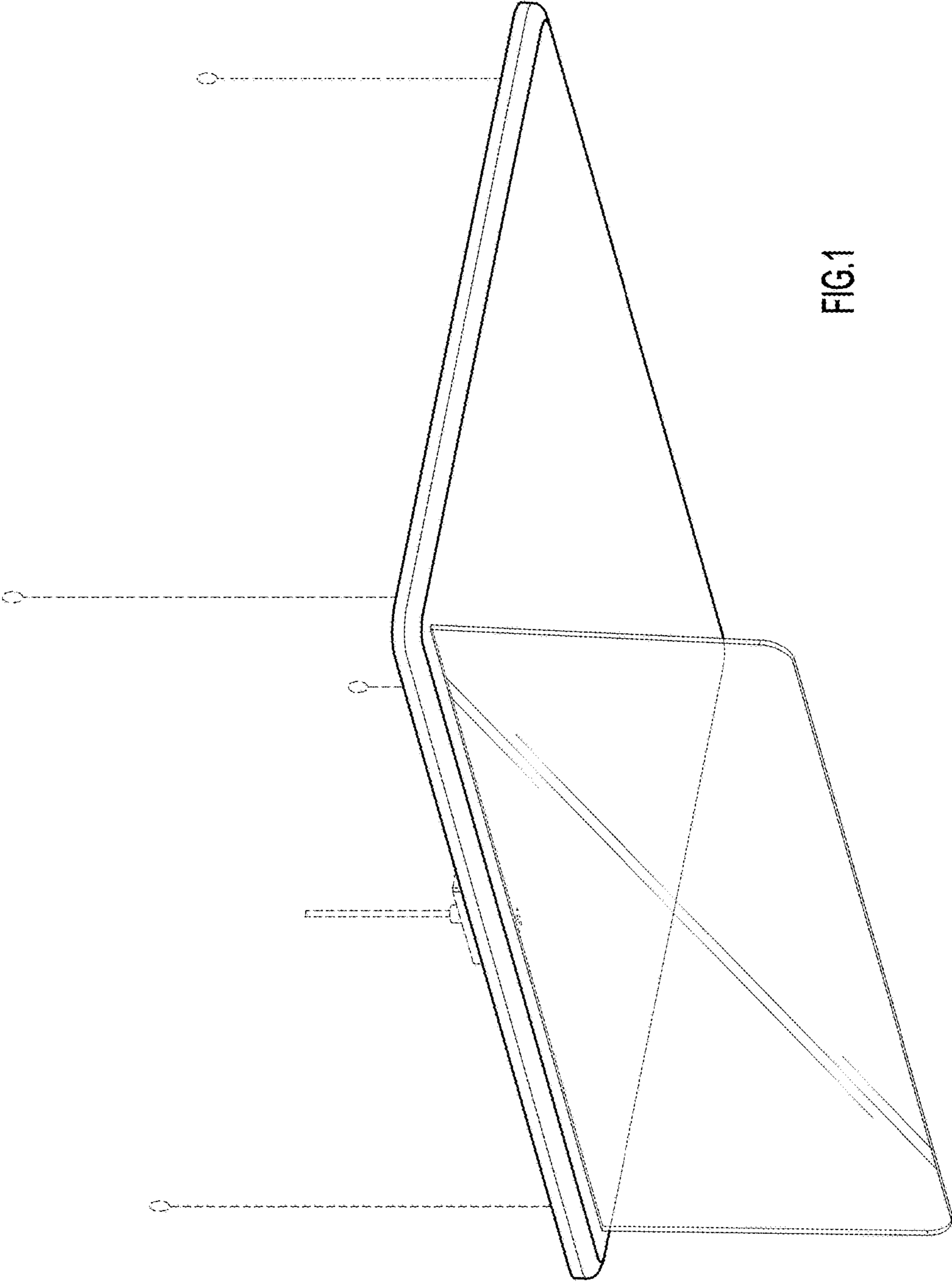


FIG.1

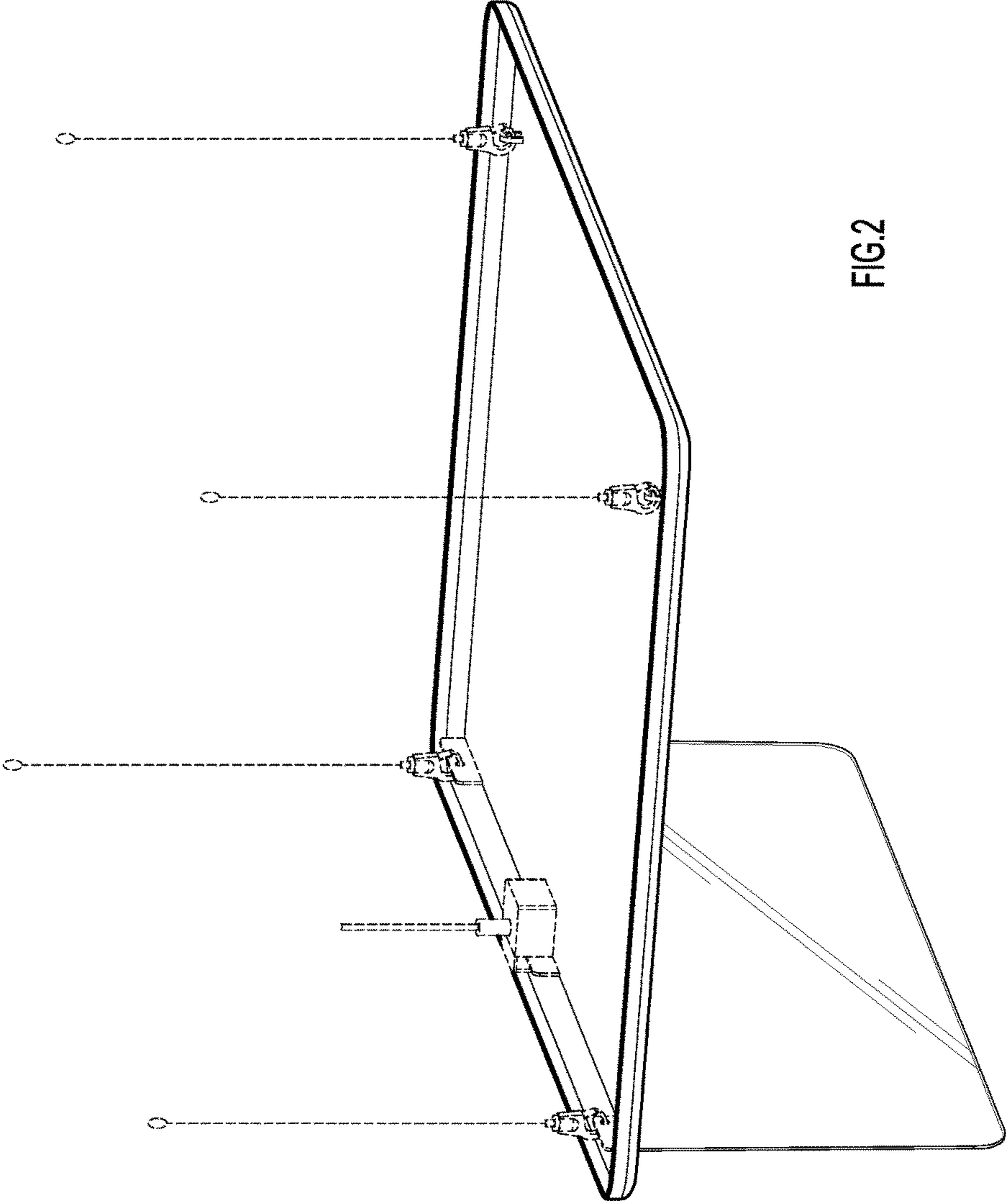


FIG.2

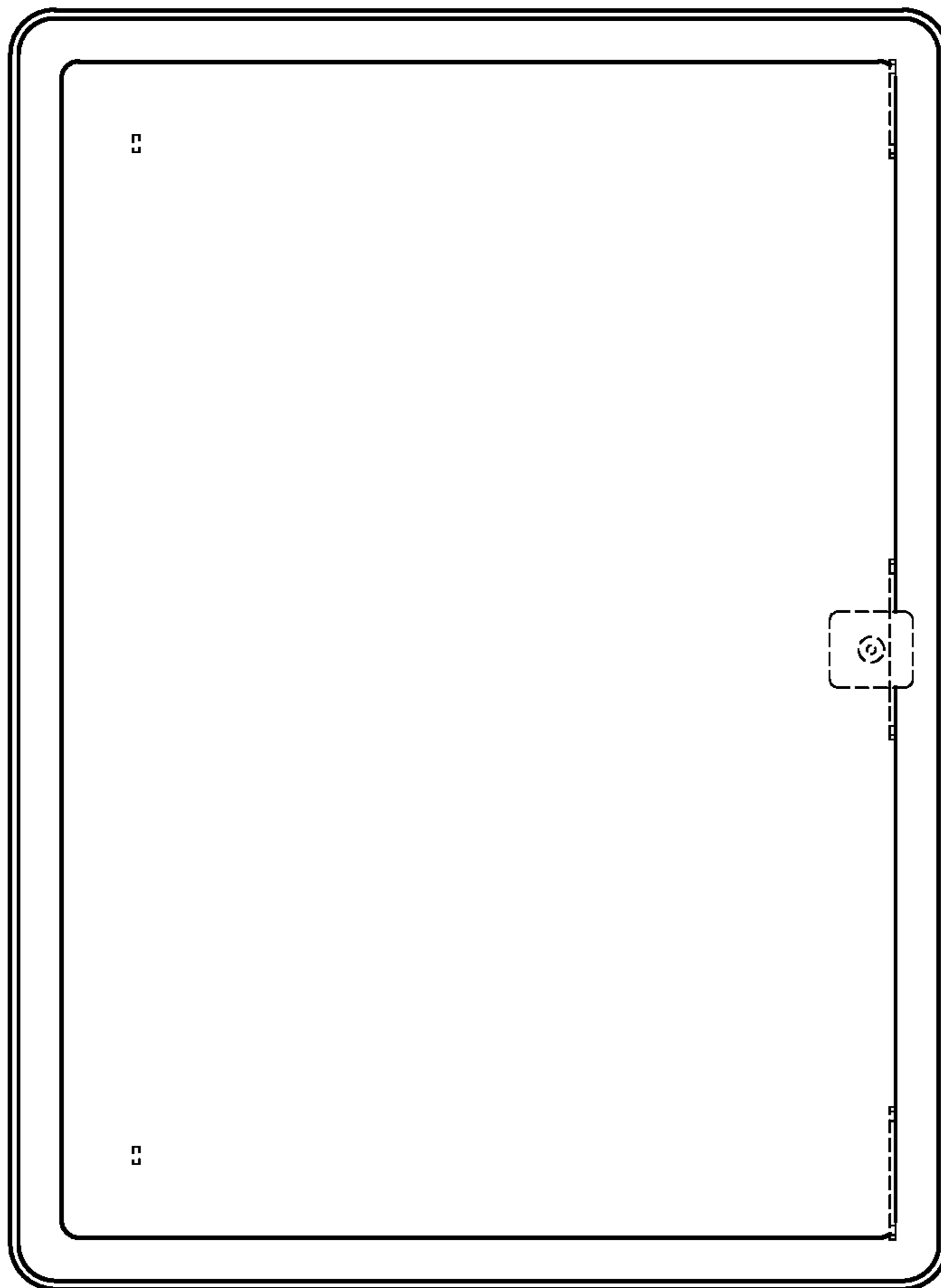


FIG.3

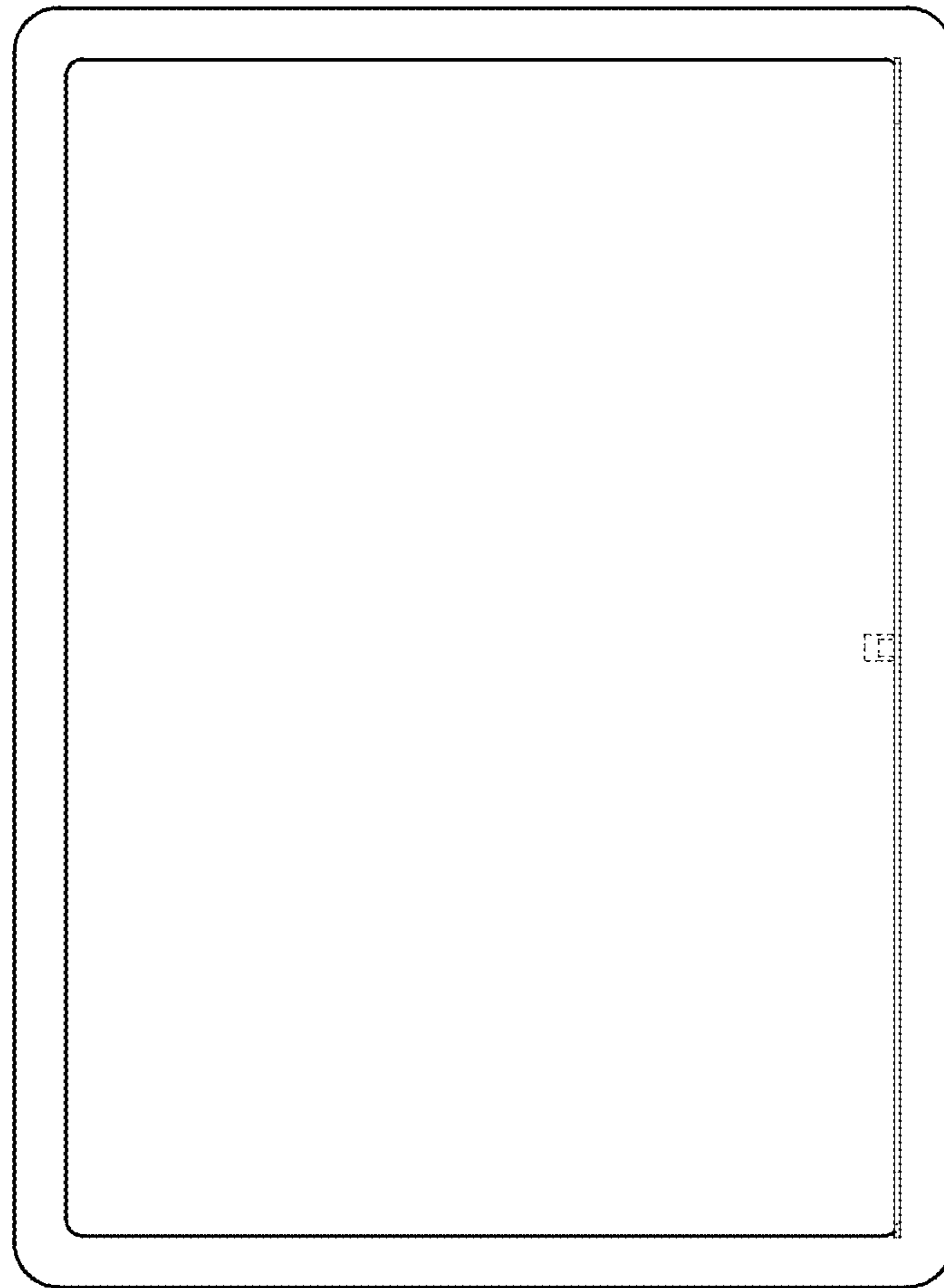


FIG.4

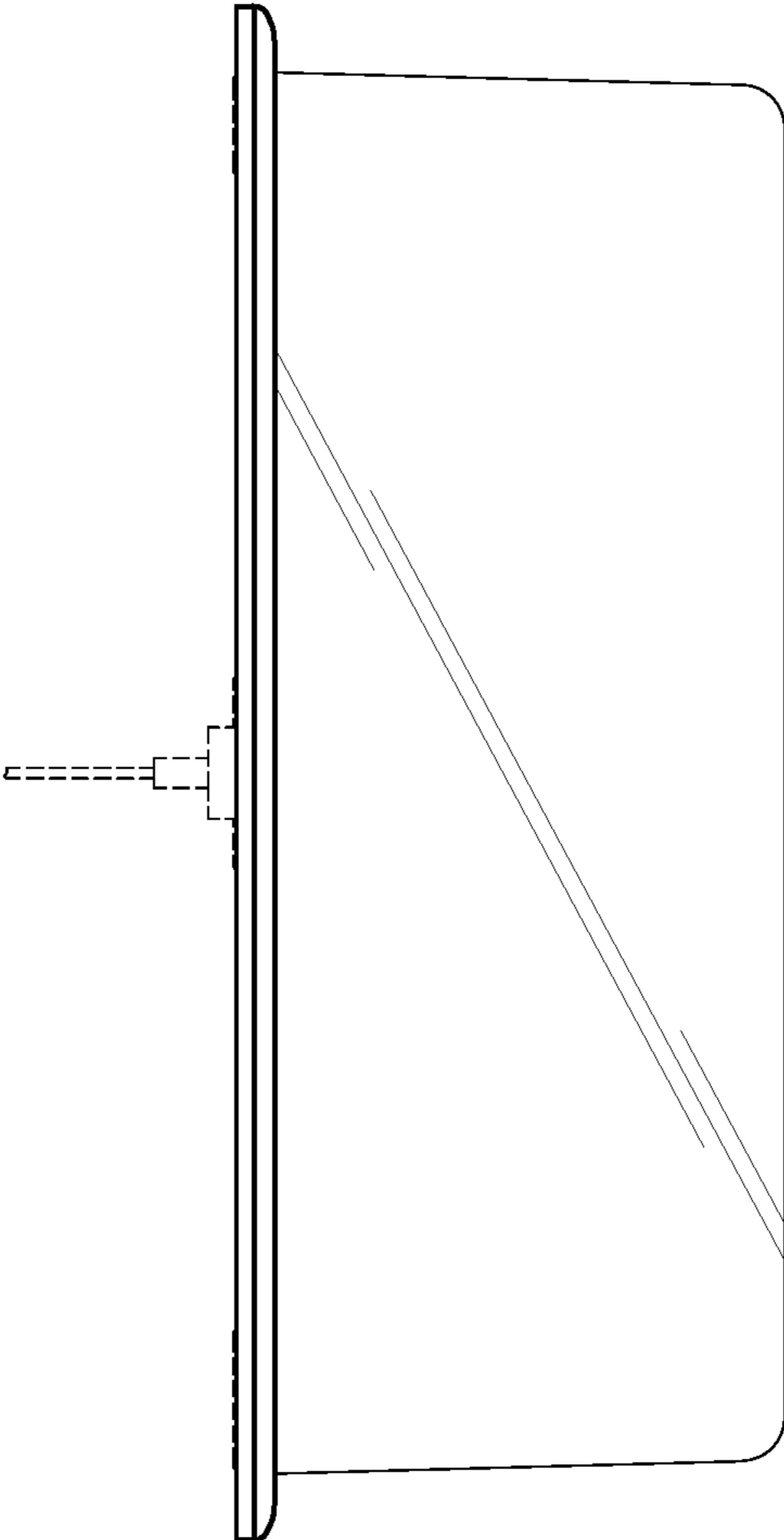


FIG.5

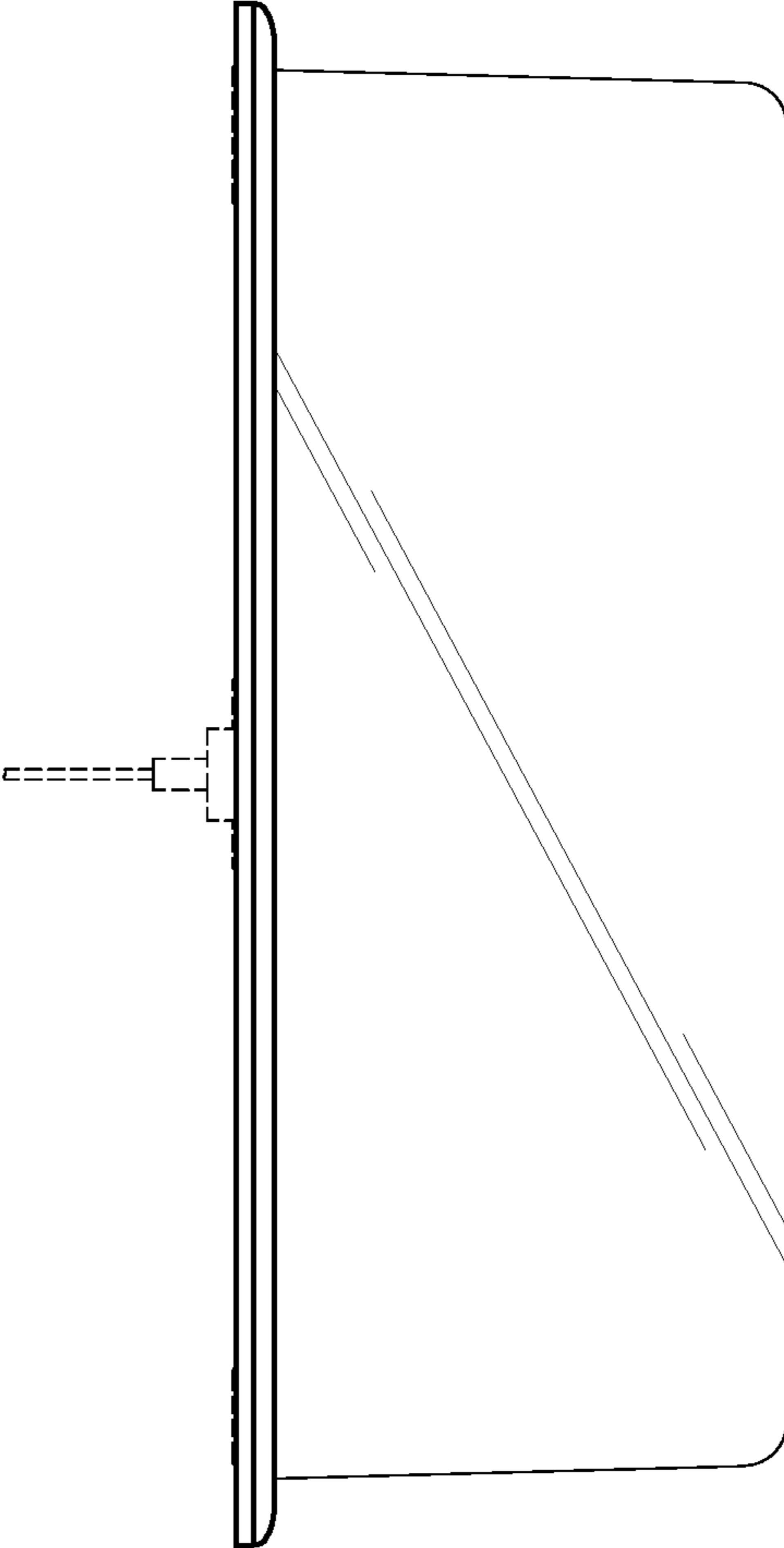


FIG.6

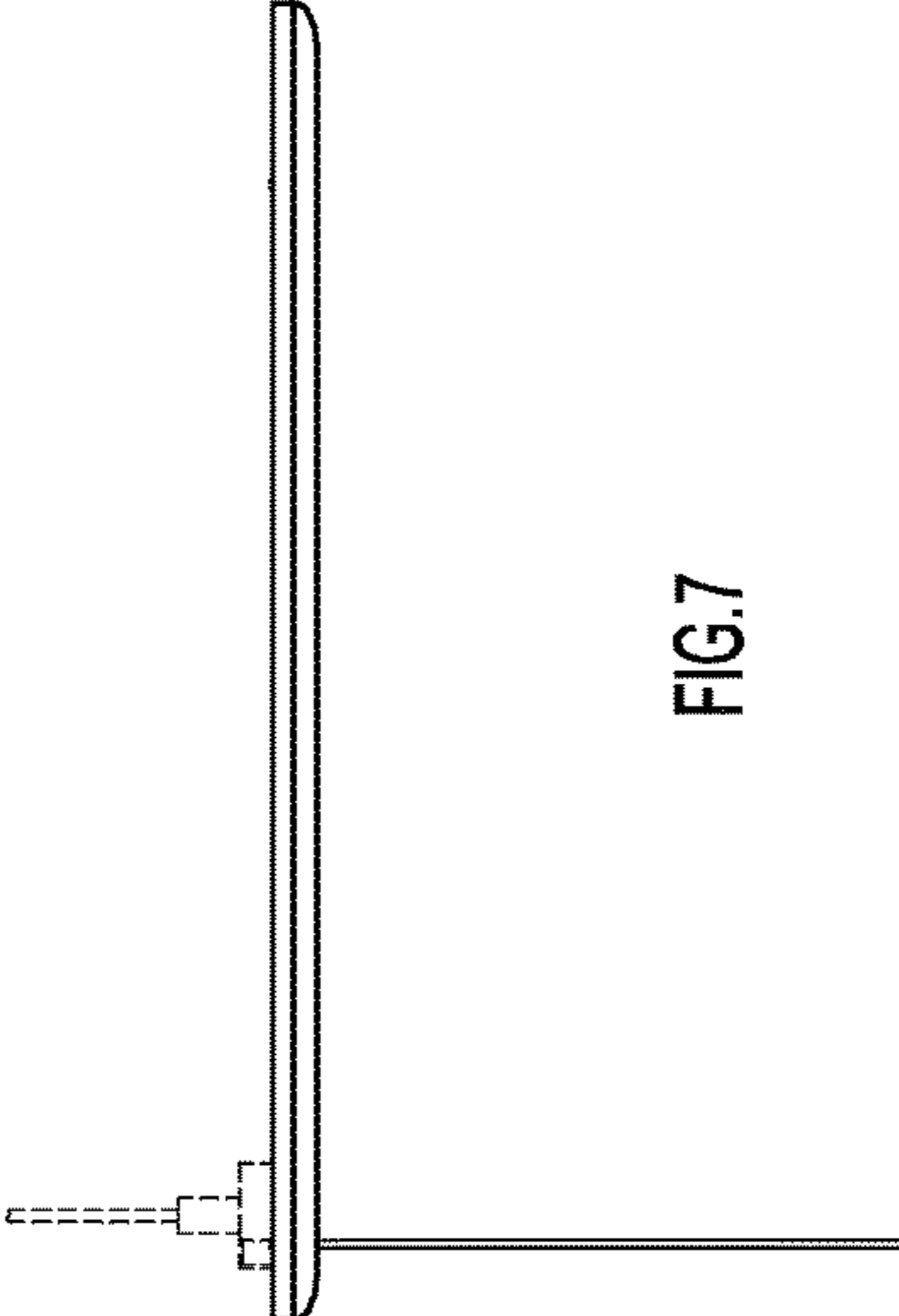


FIG.7

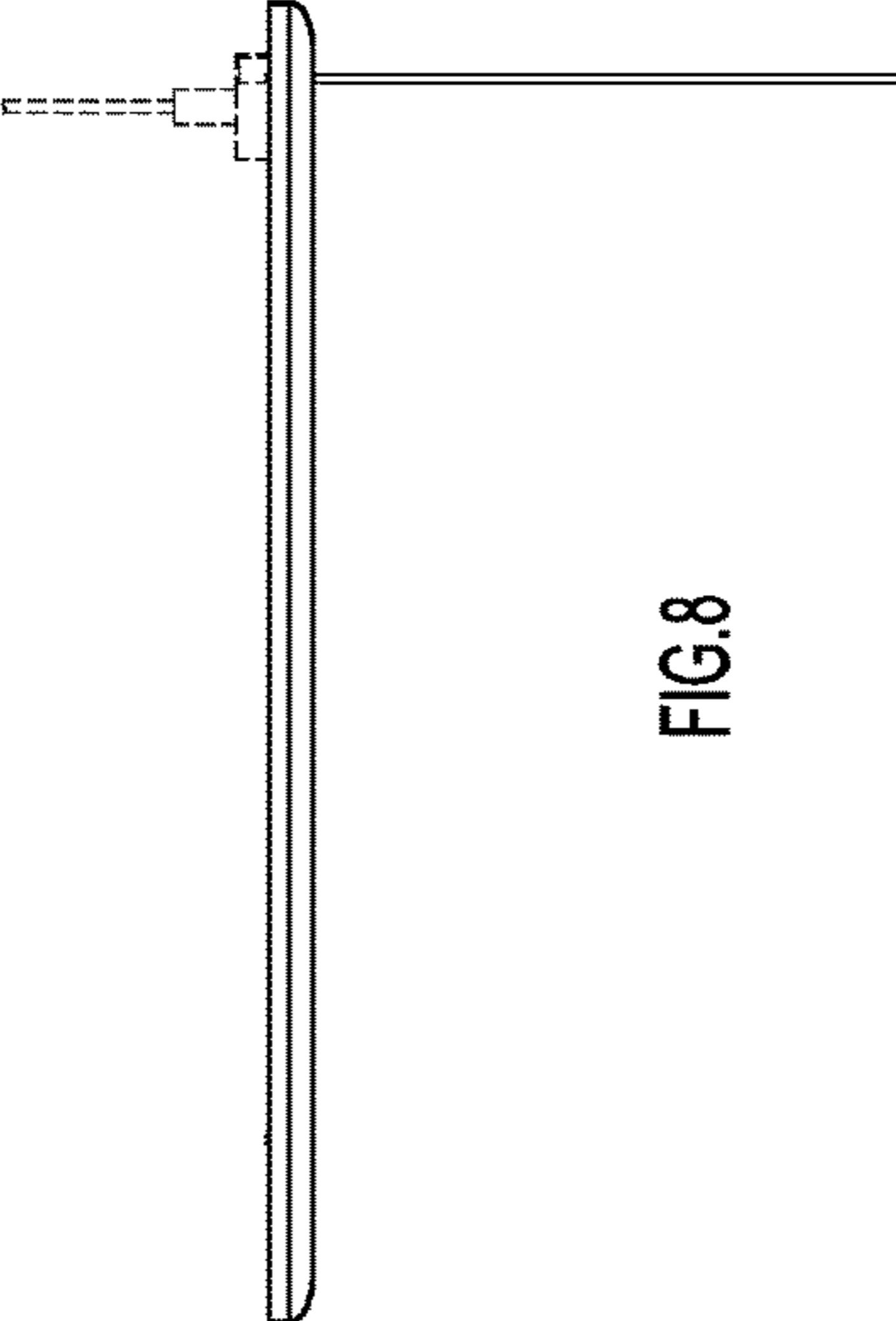


FIG.8