



US00D787478S

(12) **United States Design Patent**  
**Wu et al.**

(10) **Patent No.:** **US D787,478 S**  
(45) **Date of Patent:** **\*\* May 23, 2017**

- (54) **COMMUNICATIONS HEADSET**
- (71) Applicant: **Plantronics, Inc.**, Santa Cruz, CA (US)
- (72) Inventors: **Chang-Chih Wu**, Taipei (TW);  
**Hsu-Yang Wei**, Taipei (TW);  
**Shao-Chun Sung**, Taipei (TW)
- (73) Assignee: **Plantronics, Inc.**, Santa Cruz, CA (US)
- (\*\*) Term: **15 Years**
- (21) Appl. No.: **29/537,532**
- (22) Filed: **Aug. 26, 2015**

**Related U.S. Application Data**

- (62) Division of application No. 29/501,381, filed on Sep. 3, 2014, now Pat. No. Des. 754,639.
- (51) **LOC (10) Cl.** ..... **14-01**
- (52) **U.S. Cl.**  
USPC ..... **D14/223**
- (58) **Field of Classification Search**  
USPC ..... D14/223, 205, 138 AA, 138 AB;  
181/129, 130, 135; 379/430, 431;  
381/380, 381; 455/90.3, 575.1  
CPC ..... H04R 25/00; H04R 1/10; H04R 5/033;  
H04R 5/0335  
See application file for complete search history.

(56) **References Cited**

**U.S. PATENT DOCUMENTS**

4,949,081 A	8/1990	Keller	
6,590,566 B2	7/2003	Abe	
D538,271 S	3/2007	Kim et al.	
D538,792 S	3/2007	Kim et al.	
D539,787 S *	4/2007	Kim	D14/223
D542,267 S	5/2007	Cha et al.	
D550,215 S *	9/2007	Udagawa	D14/223
D565,033 S	3/2008	Goransson	
D568,301 S *	5/2008	Kim	D14/205
D569,289 S	5/2008	Bender	

D575,277 S *	8/2008	Gaarde	D14/205
D580,900 S *	11/2008	Wong	D14/138 AA
D581,396 S *	11/2008	Wikel	D14/206
D582,897 S *	12/2008	Christopher	D14/223
D590,377 S *	4/2009	Bradford	D14/223
D598,900 S *	8/2009	Wikel	D14/223
D602,894 S	10/2009	Lepoutier et al.	
D604,722 S	11/2009	Mistry	

(Continued)

**FOREIGN PATENT DOCUMENTS**

KR	30-2012-0000470	4/2012
KR	30-0684263	3/2013

**OTHER PUBLICATIONS**

English translation of Taiwan IPO Search Report, mailed Jan. 8, 2016 for corresponding Taiwan design application (1 page).

*Primary Examiner* — Paula Greene

(57) **CLAIM**

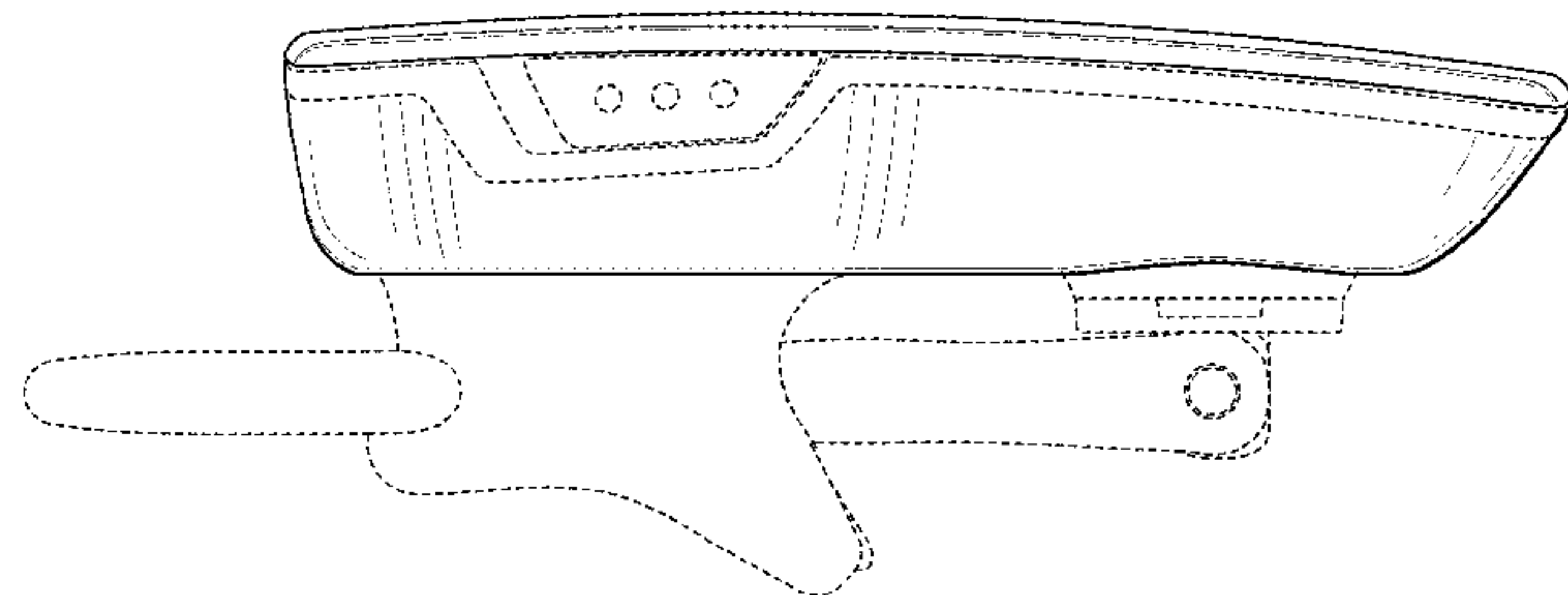
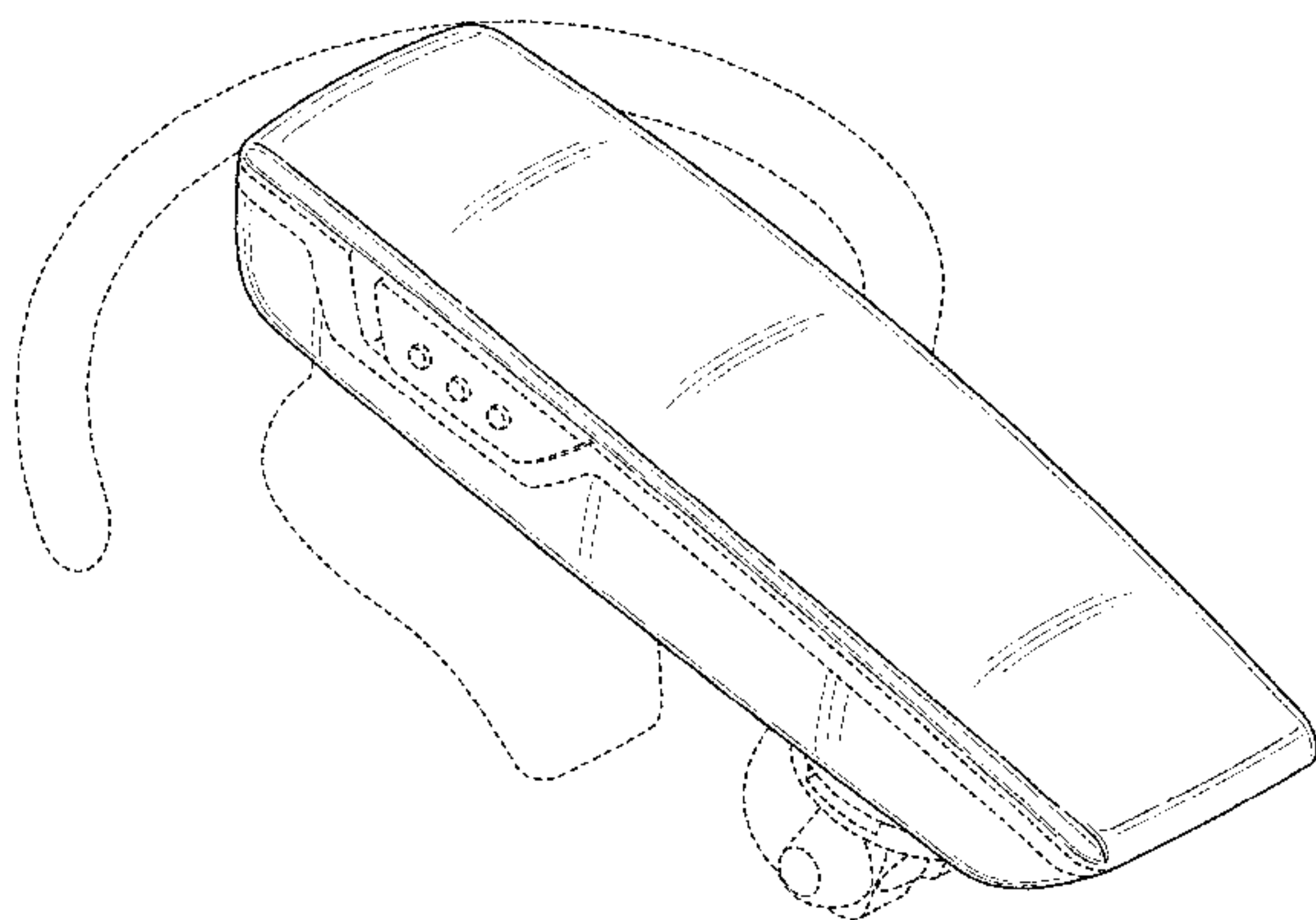
The ornamental design for a communications headset, as shown and described.

**DESCRIPTION**

FIG. 1 is a top-left perspective view of a communications headset showing my new design;  
FIG. 2 is a top-right perspective view thereof;  
FIG. 3 is a top view thereof;  
FIG. 4 is a bottom view thereof;  
FIG. 5 is a back view thereof;  
FIG. 6 is a front view thereof;  
FIG. 7 is a right side view thereof; and,  
FIG. 8 is a left side view thereof.

The broken lines in the drawings, including those immediately adjacent to the shaded areas, represent unclaimed features for an exemplary headset in which the design is embodied; the broken lines form no part of the claimed design.

**1 Claim, 6 Drawing Sheets**



(56)

**References Cited**

## U.S. PATENT DOCUMENTS

D609,698 S 2/2010 Ng  
D618,221 S \* 6/2010 Fahrendorff ..... D14/223  
D620,927 S 8/2010 Li  
7,778,410 B2 8/2010 Liu et al.  
D625,710 S 10/2010 Yang  
D625,711 S 10/2010 Yang  
D625,712 S 10/2010 Yang  
D625,713 S 10/2010 Yang  
D631,037 S 1/2011 Park et al.  
D636,381 S \* 4/2011 Liner ..... D14/223  
D637,183 S \* 5/2011 March ..... D14/223  
D637,184 S \* 5/2011 March ..... D14/223  
D640,242 S 6/2011 Fahrendorff et al.  
D649,957 S \* 12/2011 Fahrendorff ..... D14/223  
D656,490 S \* 3/2012 Birger ..... D14/223  
D657,781 S 4/2012 Yang  
D664,125 S \* 7/2012 Koch ..... D14/223  
D664,950 S 8/2012 Rye et al.  
8,270,915 B2 \* 9/2012 Sanford ..... H01Q 1/243  
343/904  
8,285,208 B2 \* 10/2012 Terlizzi ..... H04M 1/05  
379/428.02  
D671,096 S \* 11/2012 Song ..... D14/223  
D675,600 S 2/2013 Koch  
D680,101 S 4/2013 Koch  
D691,120 S \* 10/2013 Koch ..... D14/223  
D693,796 S \* 11/2013 Birger ..... D14/223  
D710,830 S \* 8/2014 Birger ..... D14/223  
D726,693 S 4/2015 Behar et al.  
D746,267 S \* 12/2015 Birger ..... D14/223  
D754,639 S \* 4/2016 Wu ..... D14/223  
D761,769 S \* 7/2016 Harper ..... D14/223  
D772,203 S \* 11/2016 Zeng ..... D14/223

\* cited by examiner

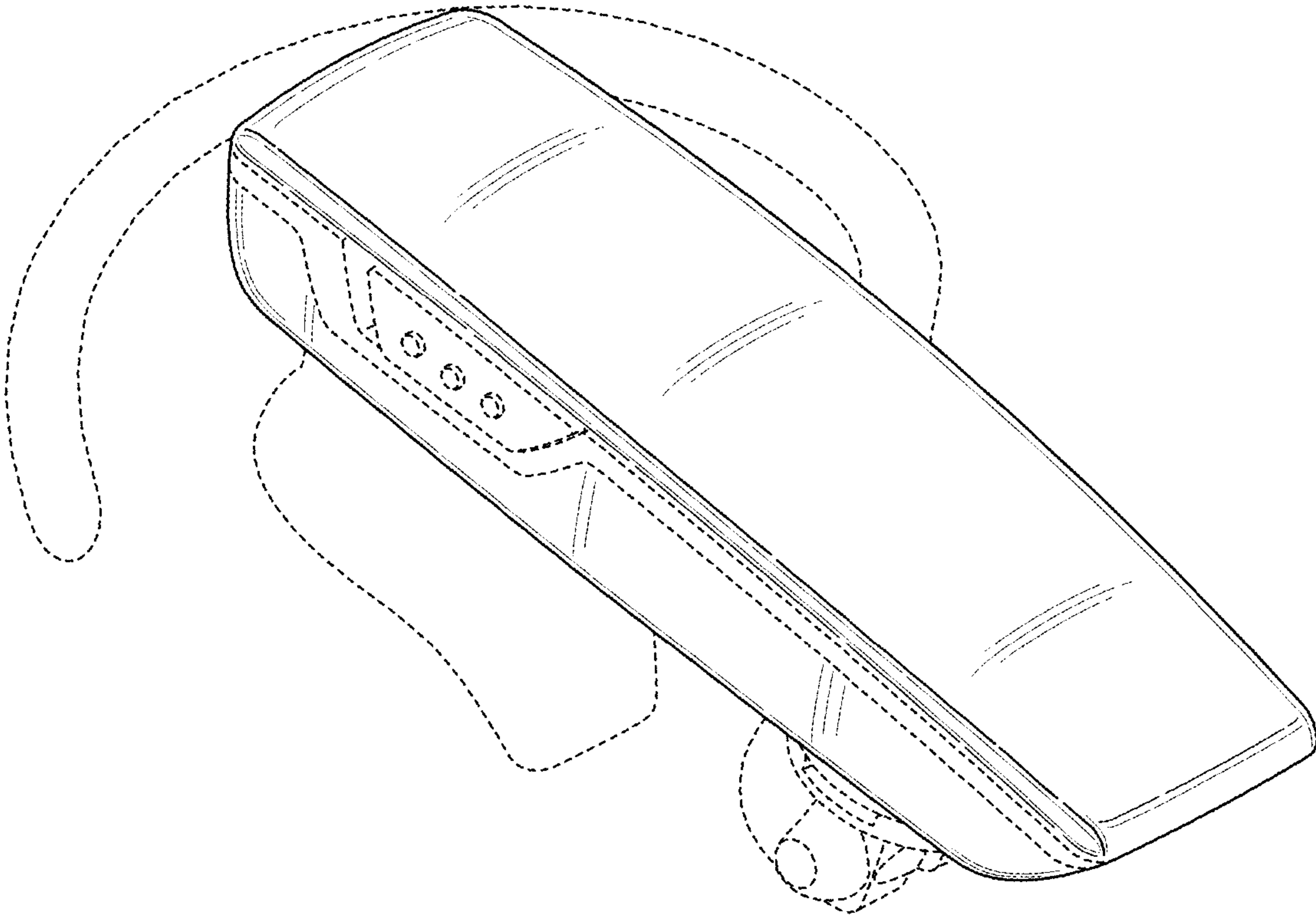


FIG. 1

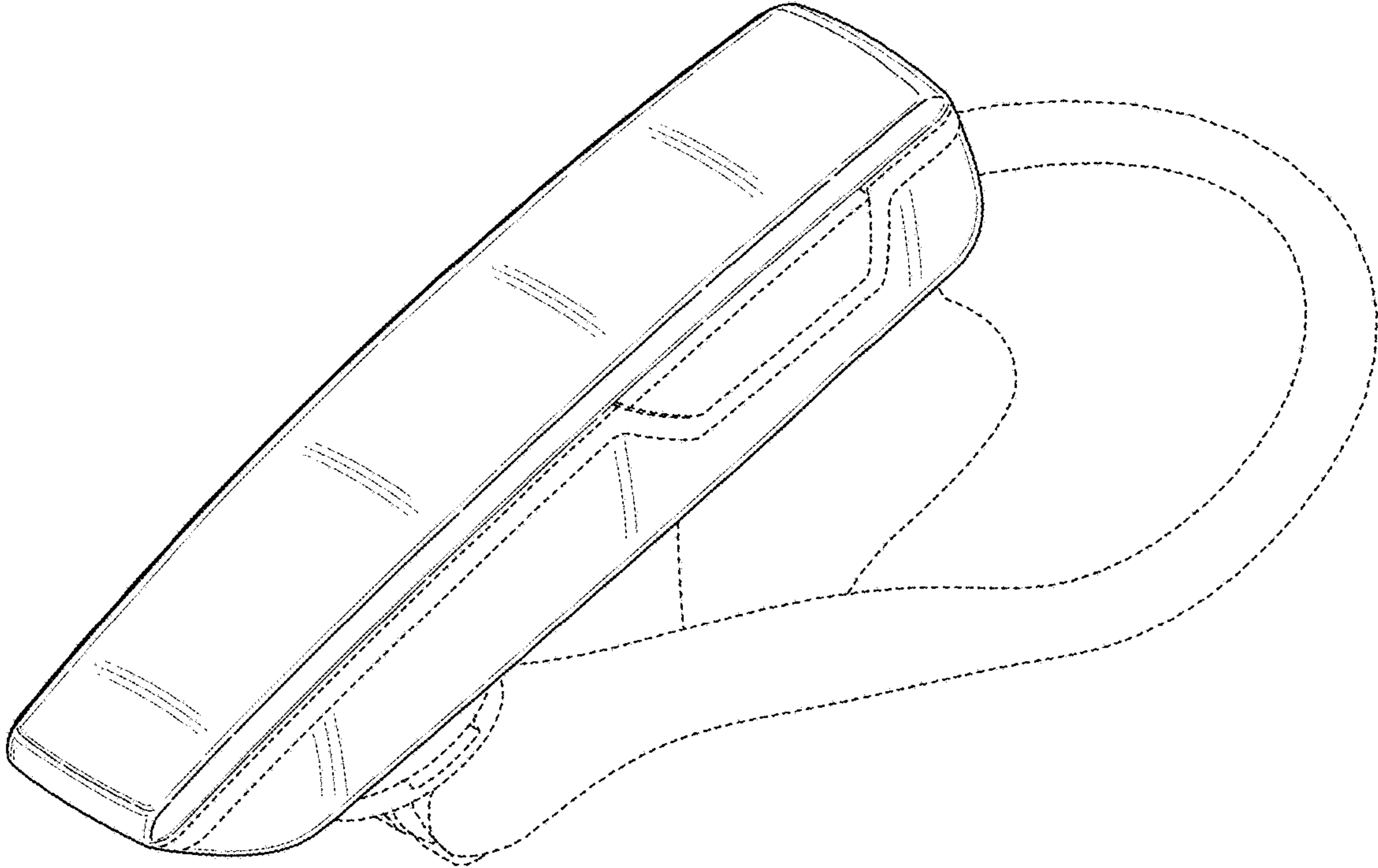


FIG. 2

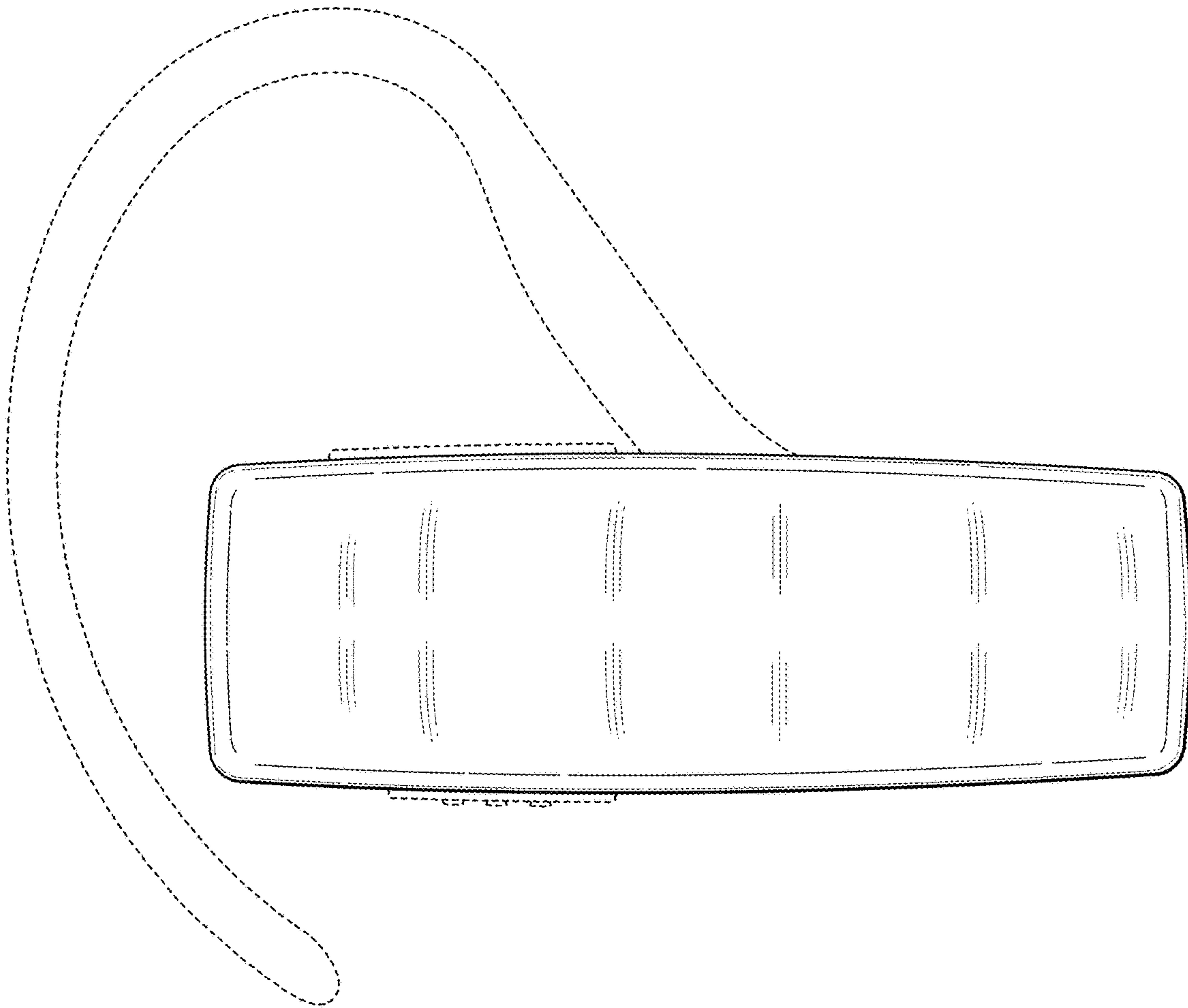


FIG. 3



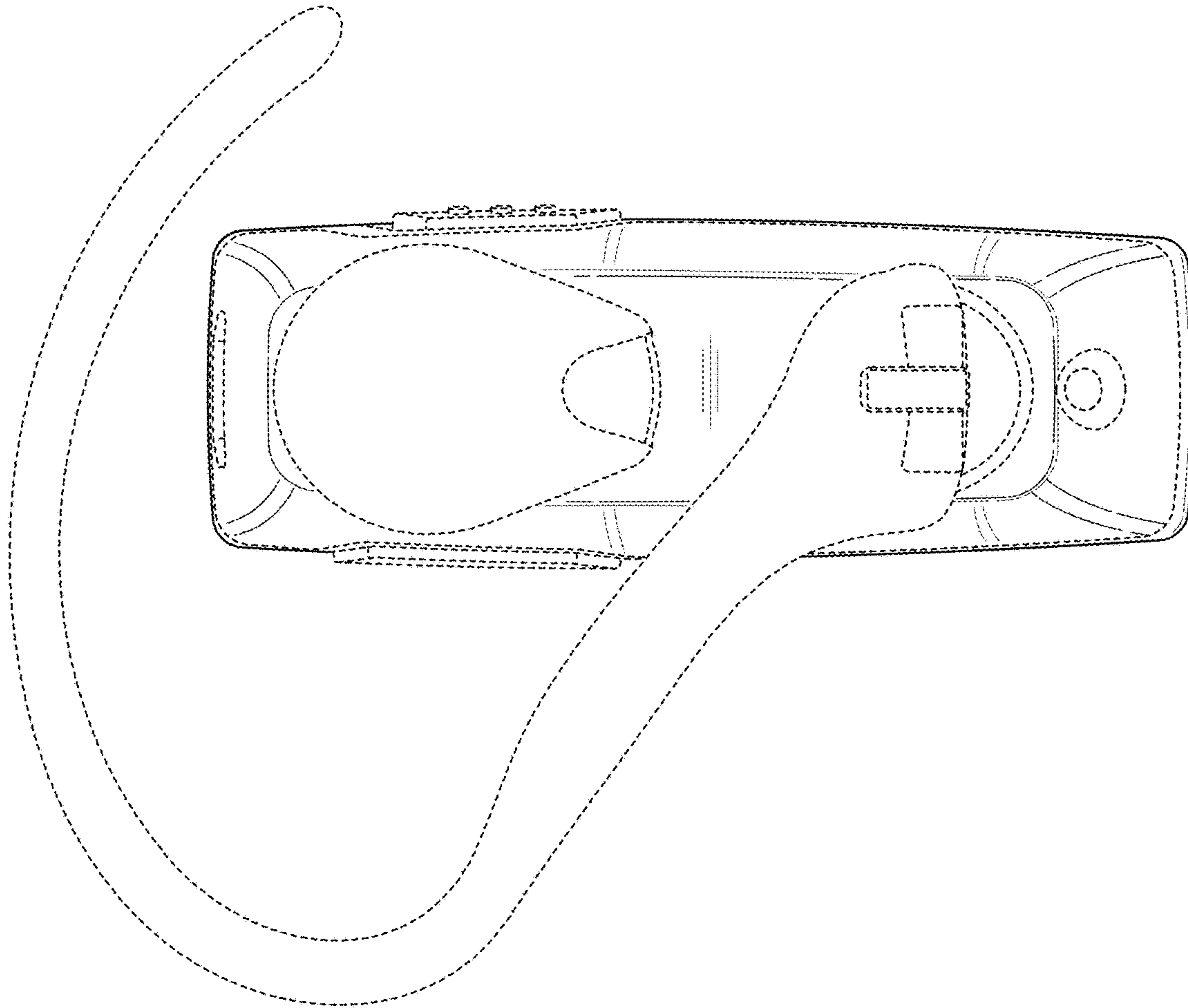


FIG. 4

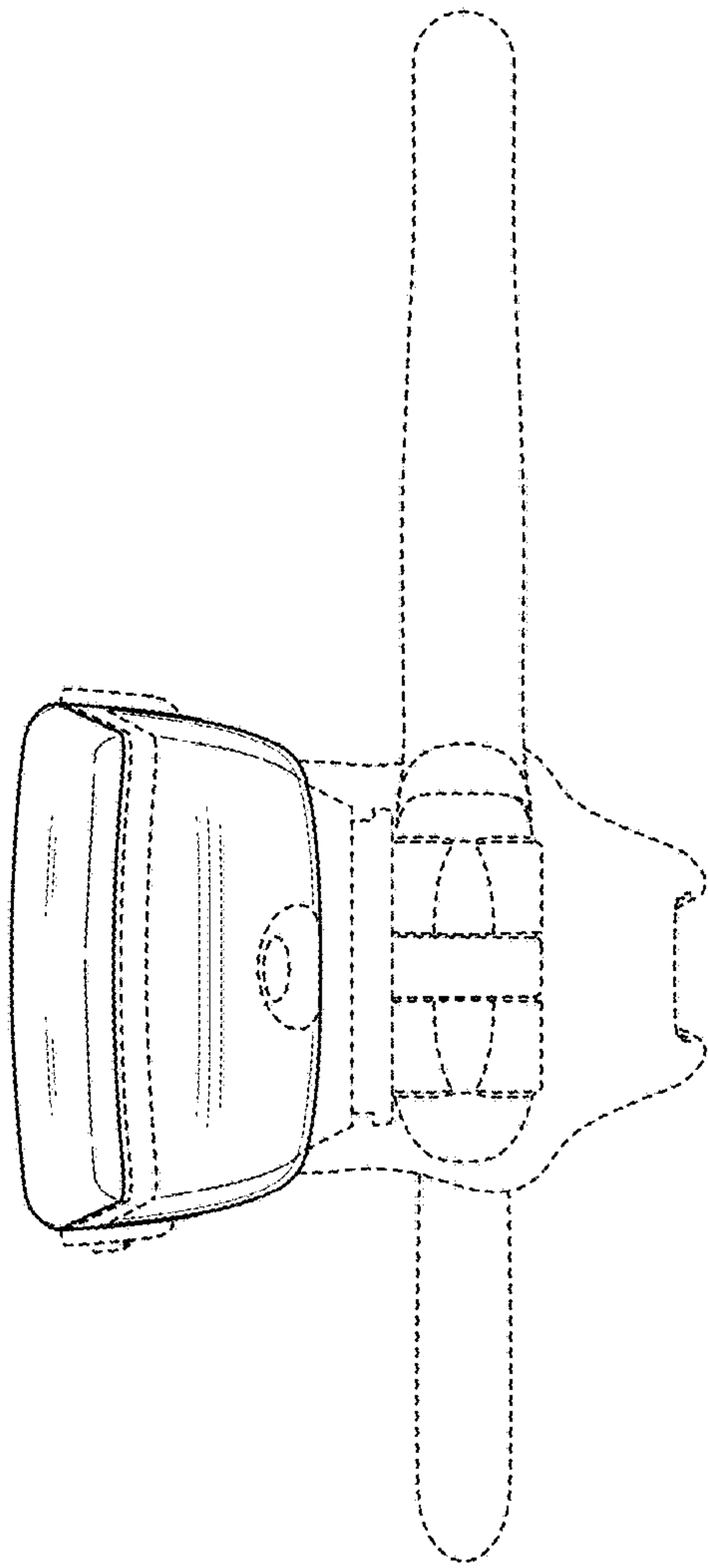


FIG. 5

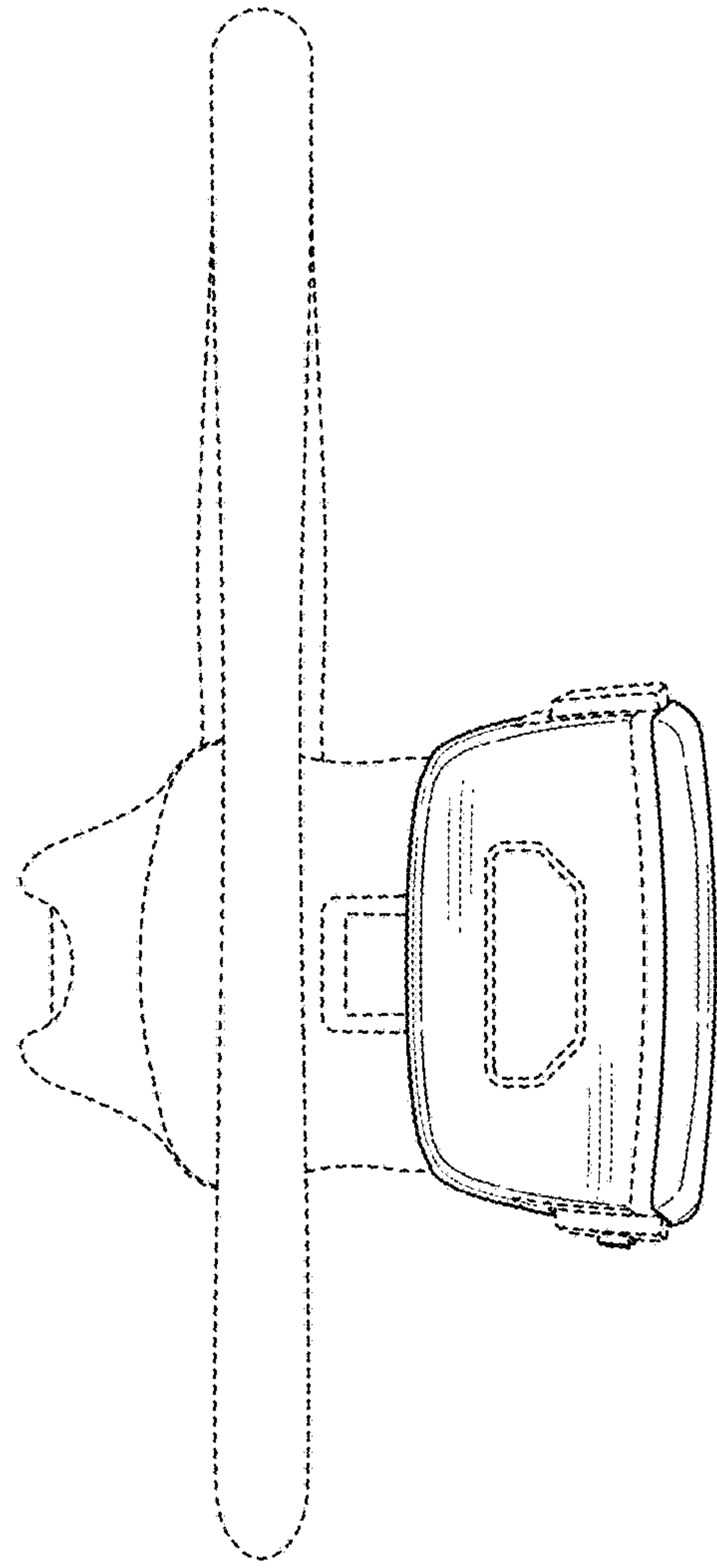


FIG. 6

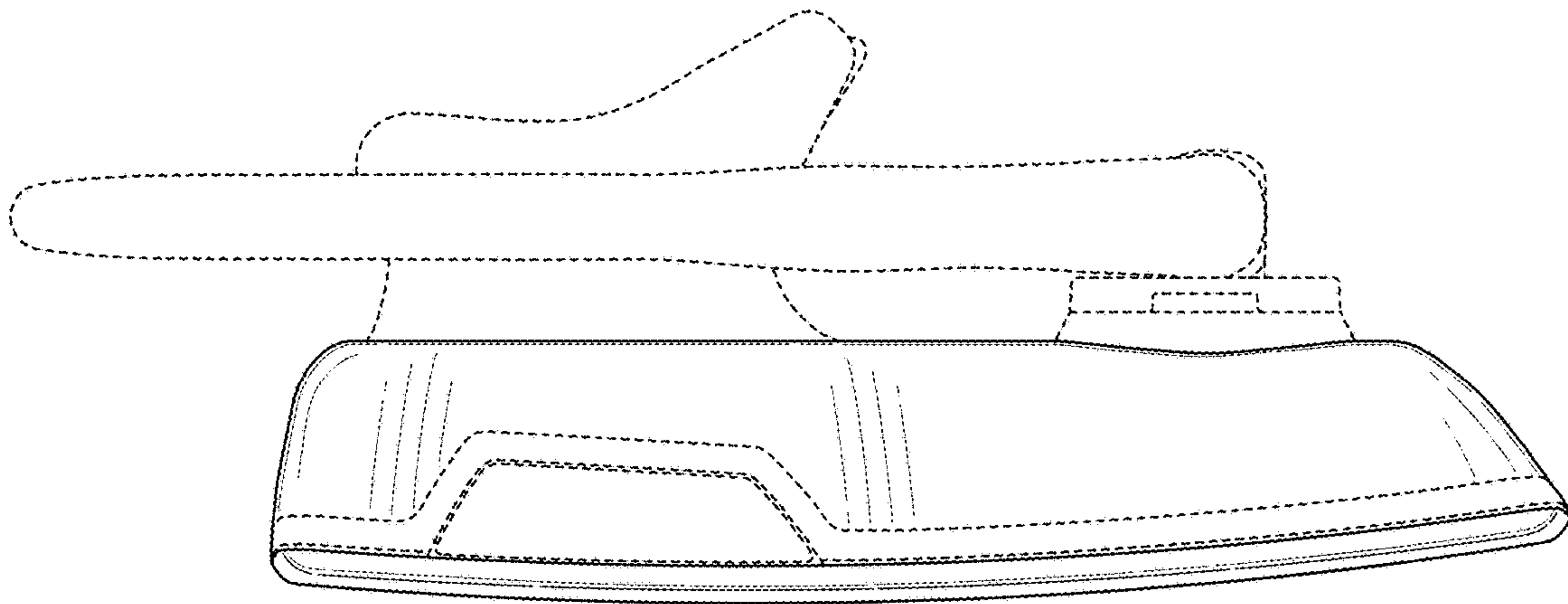


FIG. 7

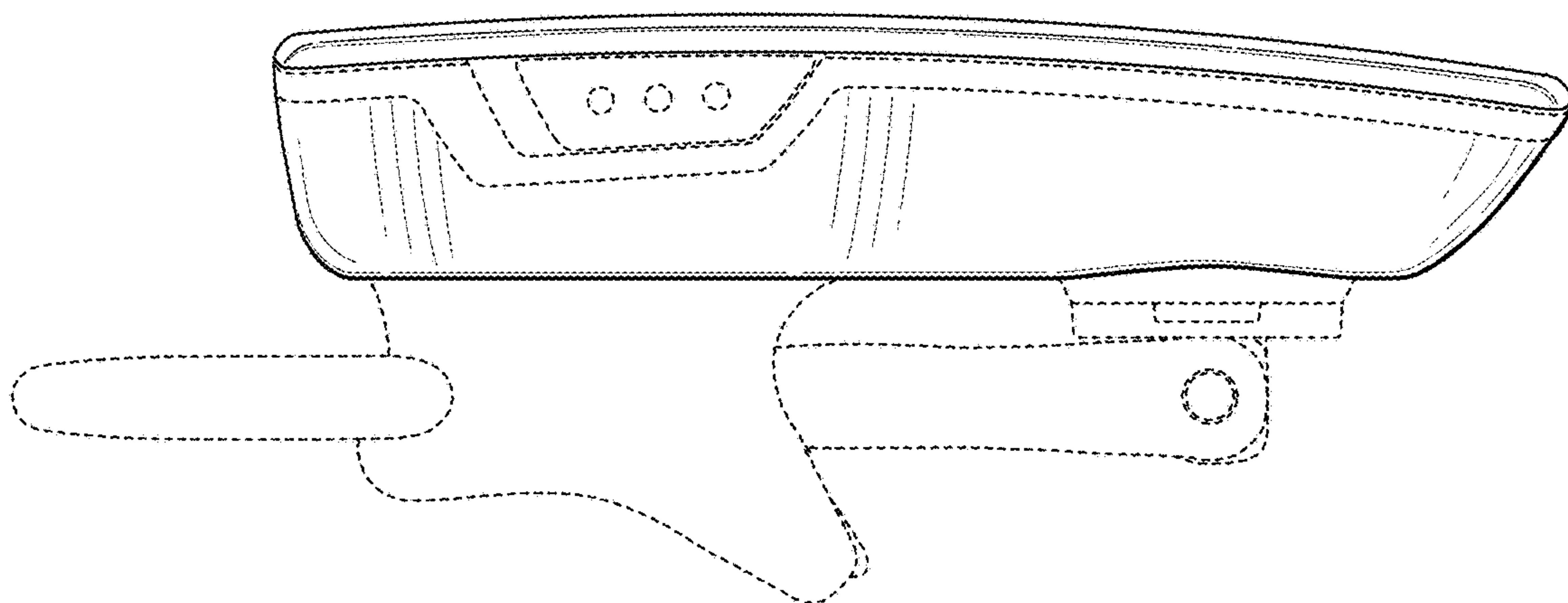


FIG. 8