



US00D787477S

(12) **United States Design Patent** (10) **Patent No.:** **US D787,477 S**
Lee (45) **Date of Patent:** **** May 23, 2017**

(54) **EARPHONE**

(71) Applicant: **GN Netcom A/S**, Ballerup (DK)

(72) Inventor: **Chang Ho Lee**, Ballerup (DK)

(73) Assignee: **GN Netcom A/S** (DK)

(**) Term: **14 Years**

(21) Appl. No.: **29/502,297**

(22) Filed: **Sep. 14, 2014**

(30) **Foreign Application Priority Data**

Jun. 13, 2014 (EM) 002481929-0001
Jun. 13, 2014 (EM) 002481929-0002

(51) **LOC (10) Cl.** **14-01**

(52) **U.S. Cl.**
USPC **D14/223**

(58) **Field of Classification Search**
USPC D14/223, 205, 206; 181/129, 130, 135;
379/430, 431; 381/380, 381; 455/90.1,
455/575.2
CPC H04R 25/00
See application file for complete search history.

(56) **References Cited**

U.S. PATENT DOCUMENTS

D477,822 S * 7/2003 Komiyama D14/223
D538,270 S * 3/2007 Kim et al. D14/223
D584,283 S * 1/2009 Soetejo D14/205
D584,293 S * 1/2009 Kim et al. D14/223
D594,443 S * 6/2009 Lee D14/223
D606,971 S * 12/2009 Christopher et al. D14/205
7,708,110 B2 * 5/2010 Leong et al. 181/135
D624,529 S * 9/2010 Huang D14/223

D631,470 S * 1/2011 Yoneyama et al. D14/223
D637,182 S * 5/2011 Lee et al. D14/223
D643,418 S * 8/2011 Lee et al. D14/223
D664,951 S * 8/2012 Ang et al. D14/223
D670,275 S * 11/2012 Tompkin et al. D14/223
D676,026 S * 2/2013 Lee et al. D14/223
D691,580 S * 10/2013 Cho D14/205
D700,905 S * 3/2014 Pavitsich D14/223
D711,356 S * 8/2014 Yang D14/223
D711,858 S * 8/2014 Yang D14/223
D712,382 S * 9/2014 Brunner et al. D14/223

* cited by examiner

Primary Examiner — Paula Greene

(74) *Attorney, Agent, or Firm* — Altera Law Group, LLC

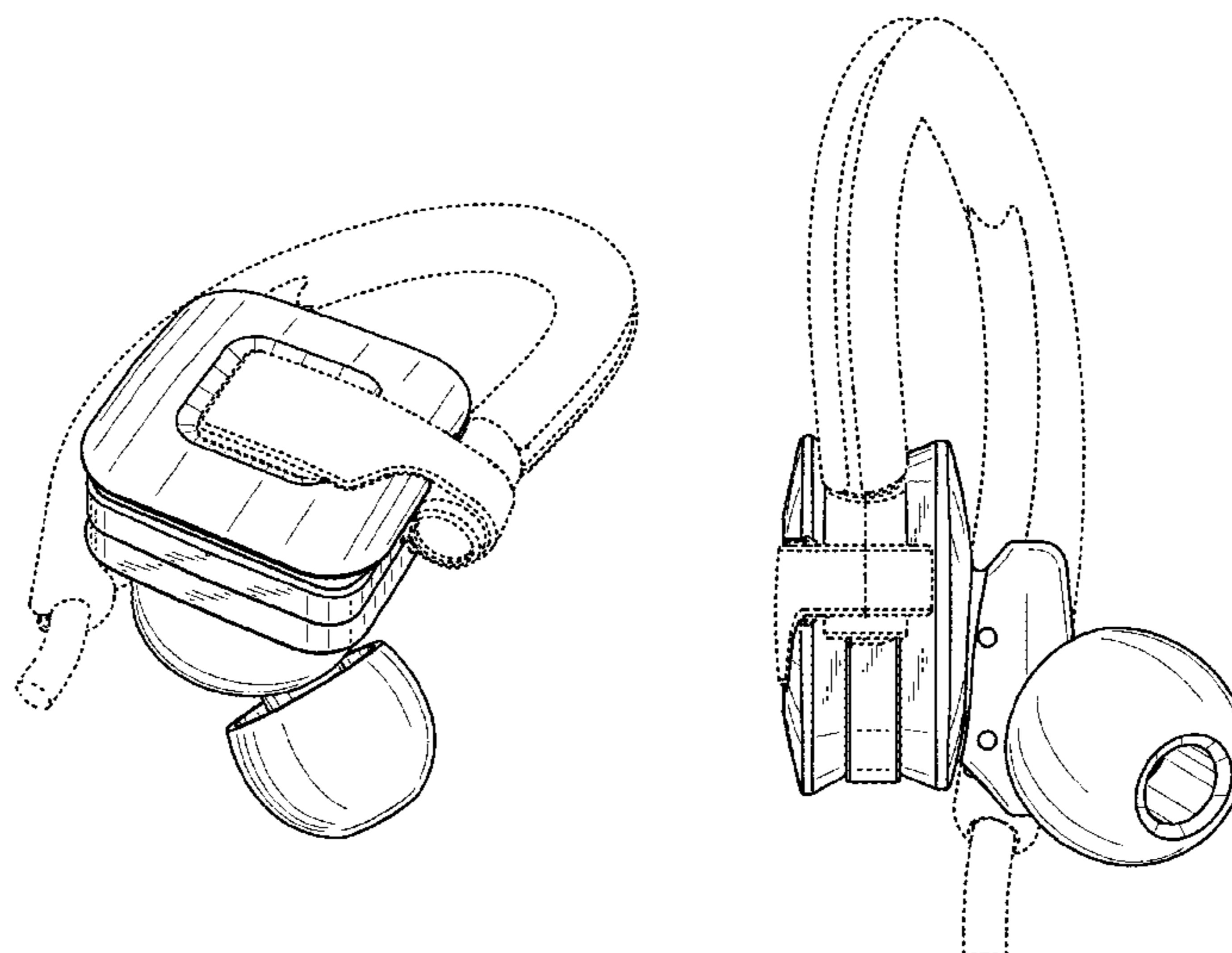
(57) **CLAIM**

The ornamental design for an earphone, as shown and described.

DESCRIPTION

FIG. 1 is a perspective view of an earphone showing my new design;
FIG. 2 is a front view thereof;
FIG. 3 is a back view thereof;
FIG. 4 is a side view thereof;
FIG. 5 is the opposite side view thereof;
FIG. 6 is a top plan view thereof;
FIG. 7 is a bottom plan view thereof;
FIG. 8 is another perspective view thereof;
FIG. 9 is a front view thereof;
FIG. 10 is a back view thereof;
FIG. 11 is a side elevational view thereof;
FIG. 12 is another side elevational view thereof;
FIG. 13 is a top view thereof; and,
FIG. 14 is a bottom view thereof.
The broken lines form no part of the claimed design.

1 Claim, 8 Drawing Sheets



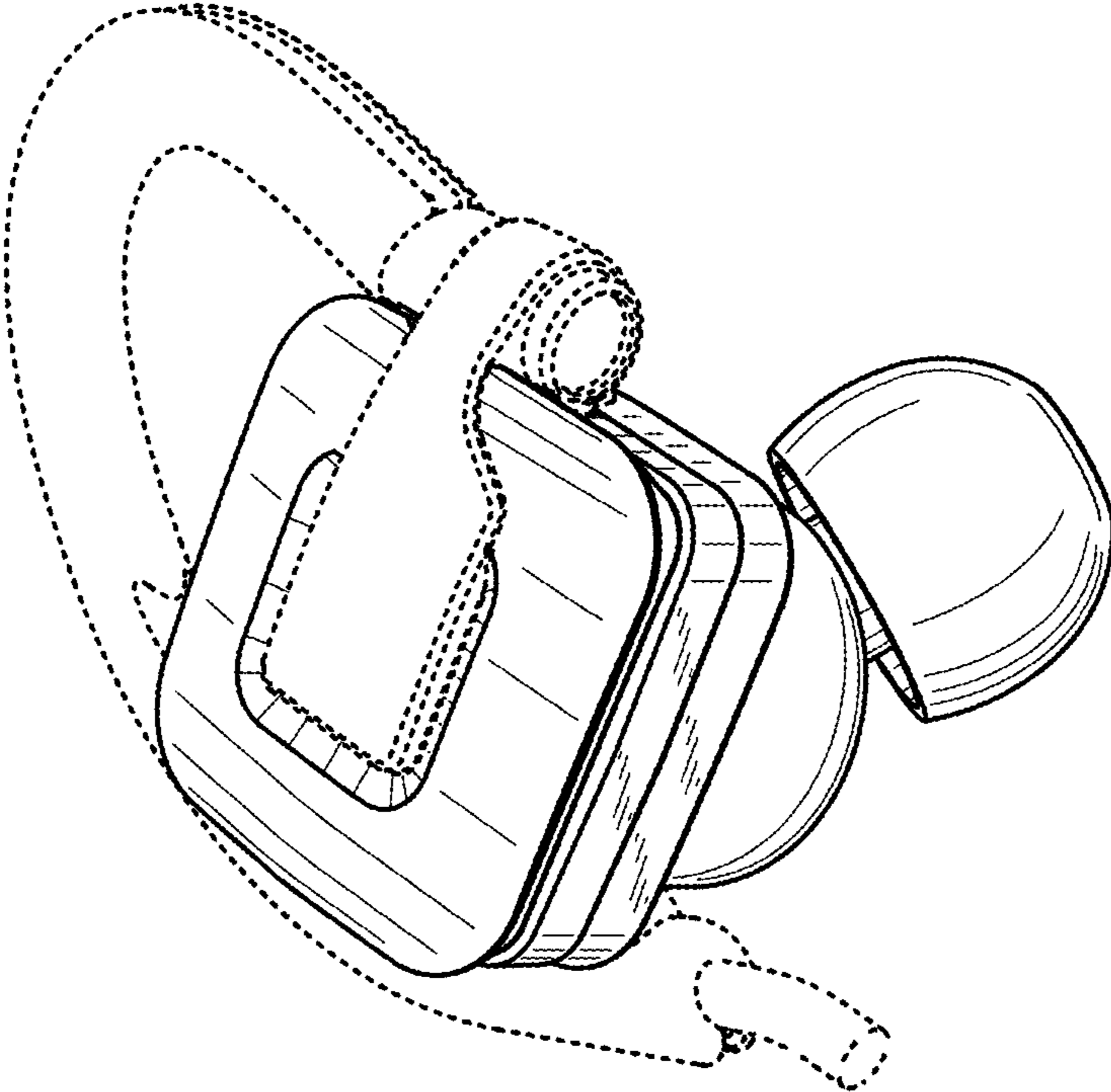


FIG. 1

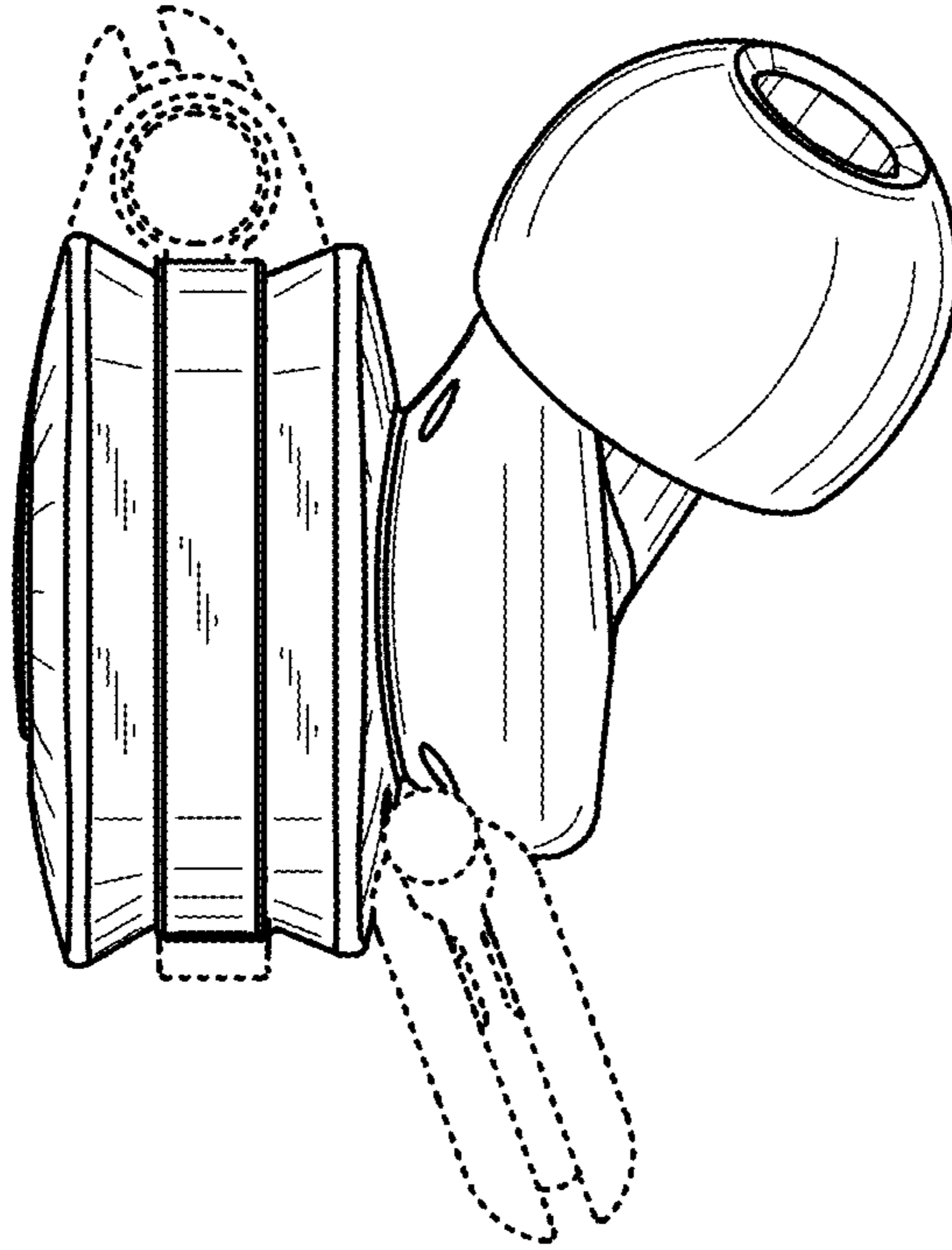


FIG. 3

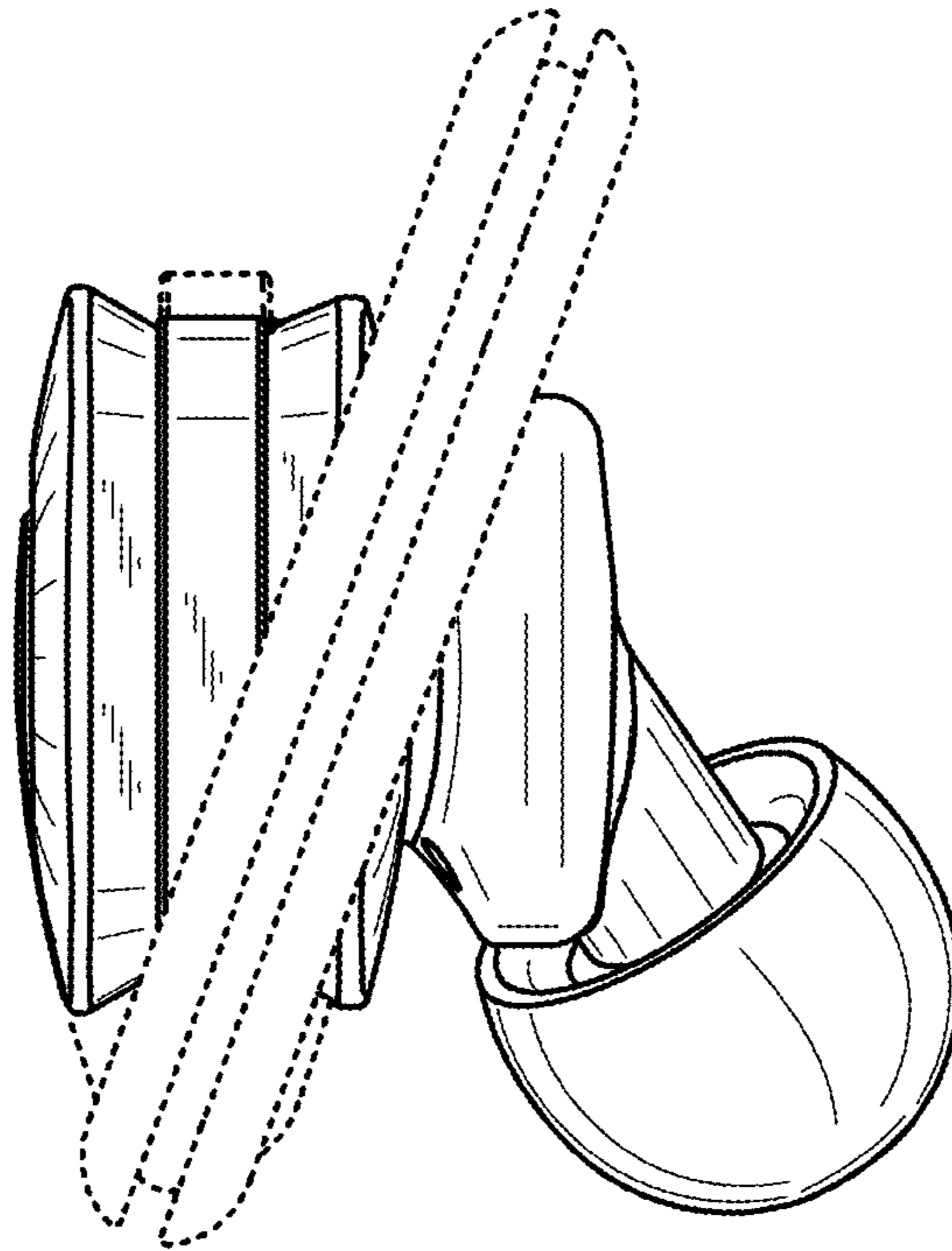


FIG. 2

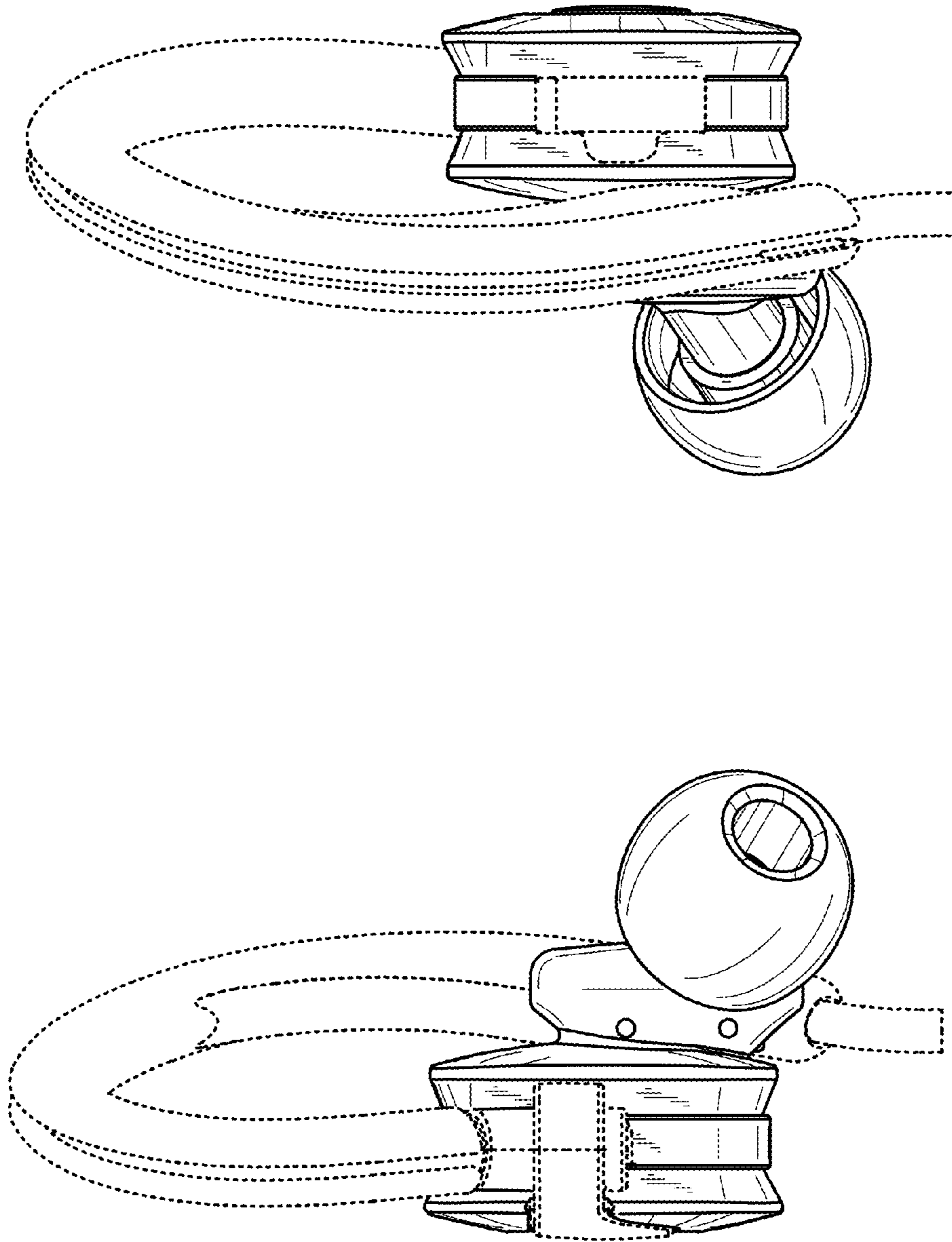


FIG. 5

FIG. 4

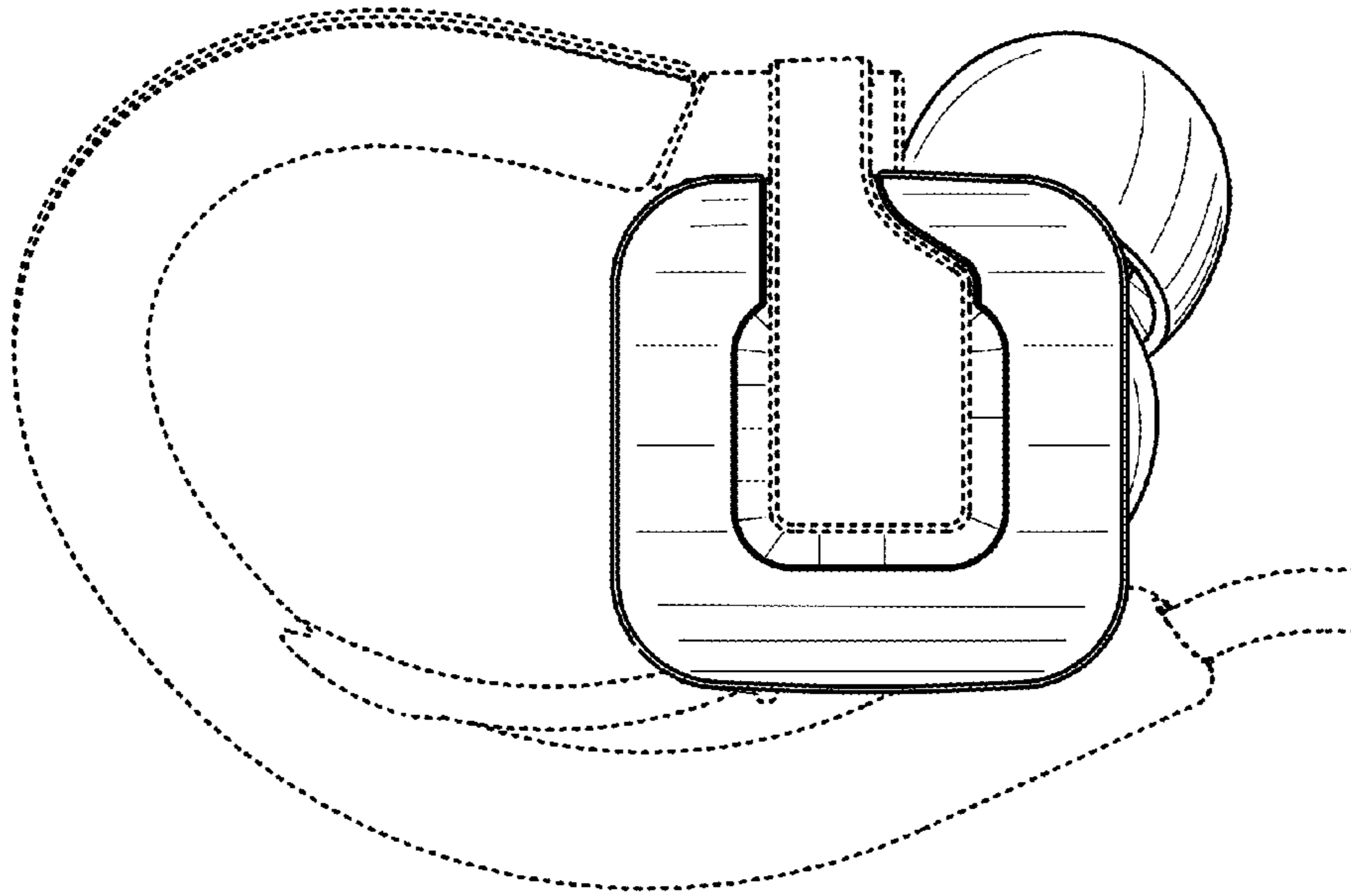


FIG. 7

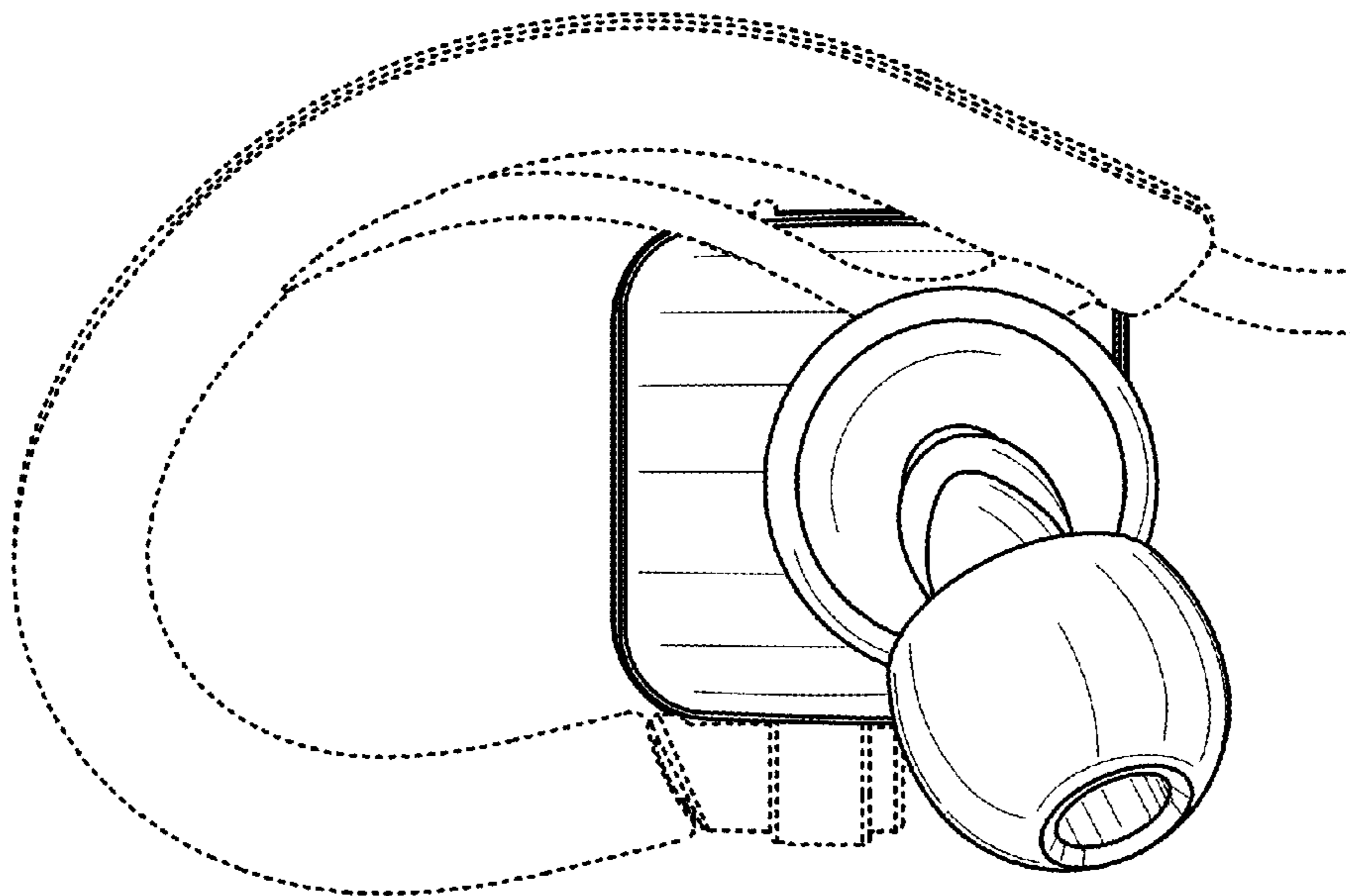


FIG. 6

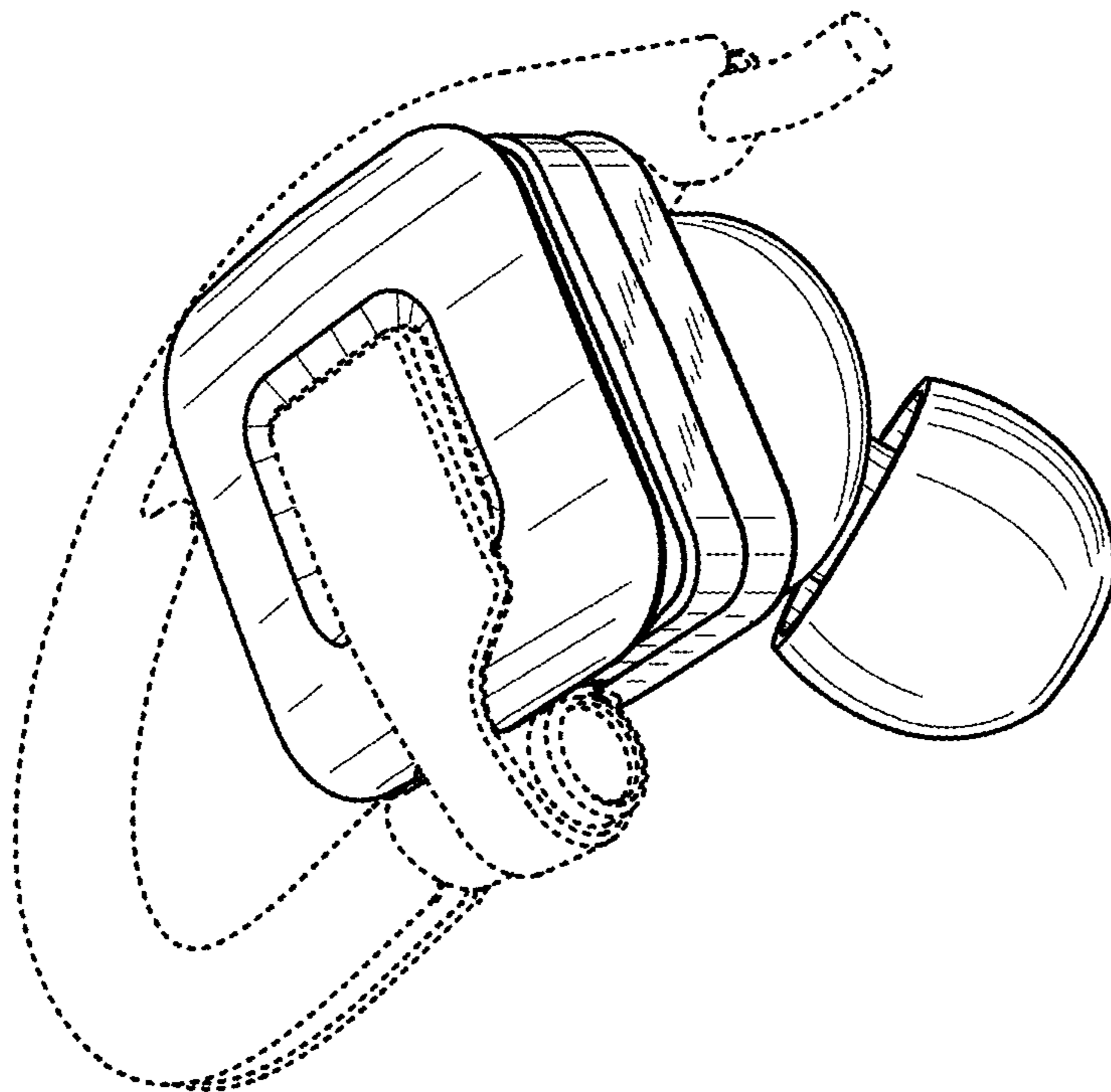


FIG. 8

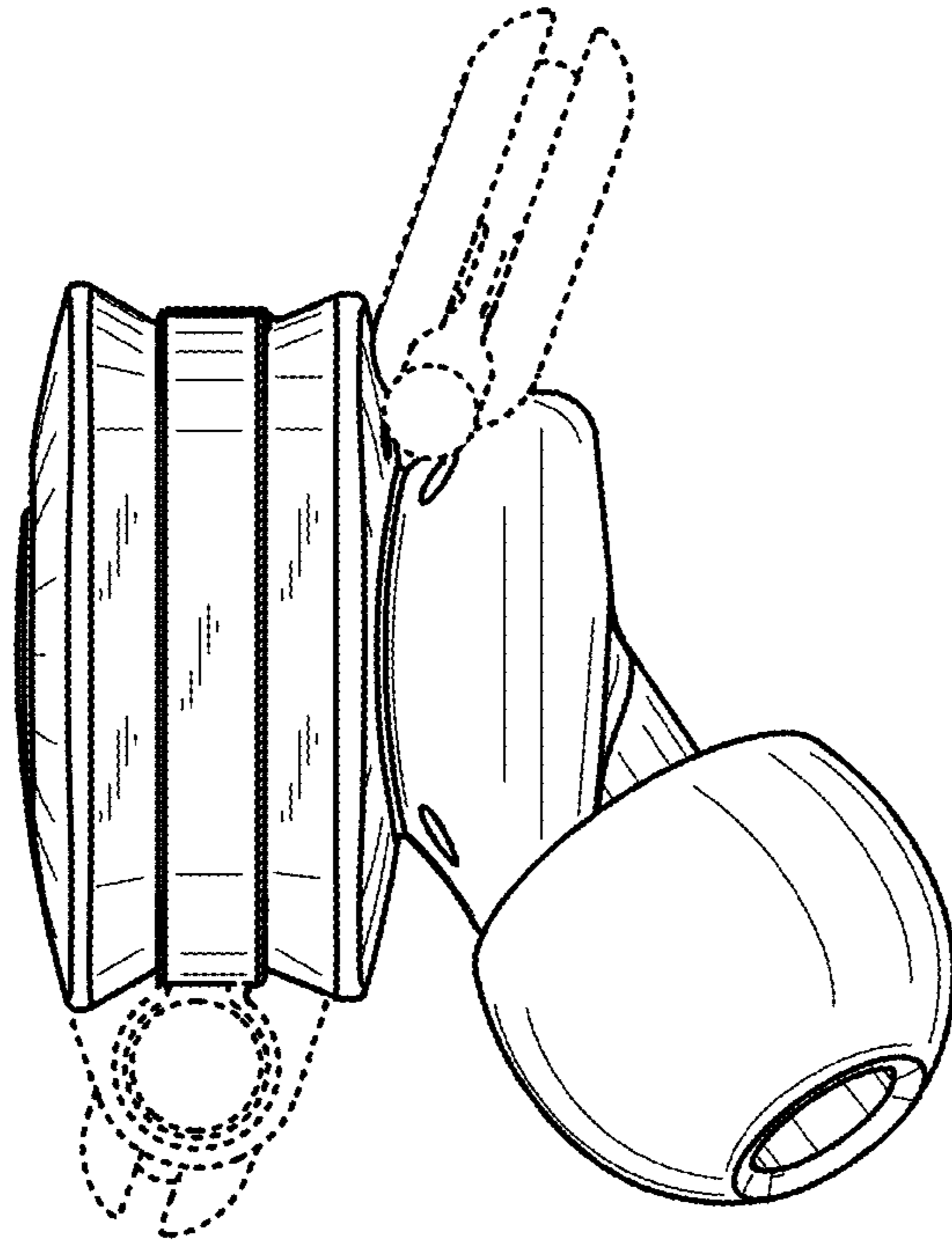


FIG. 10

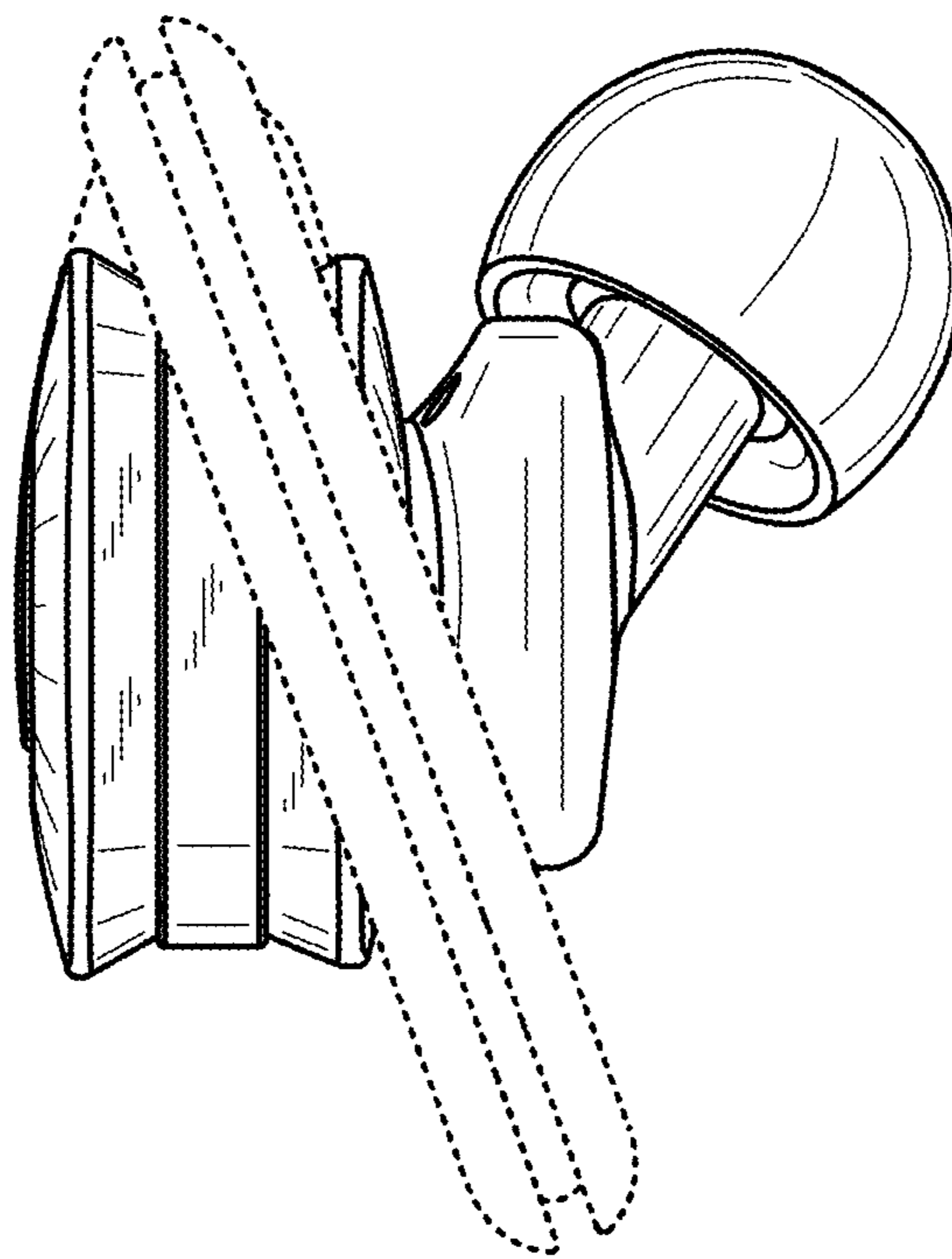


FIG. 9

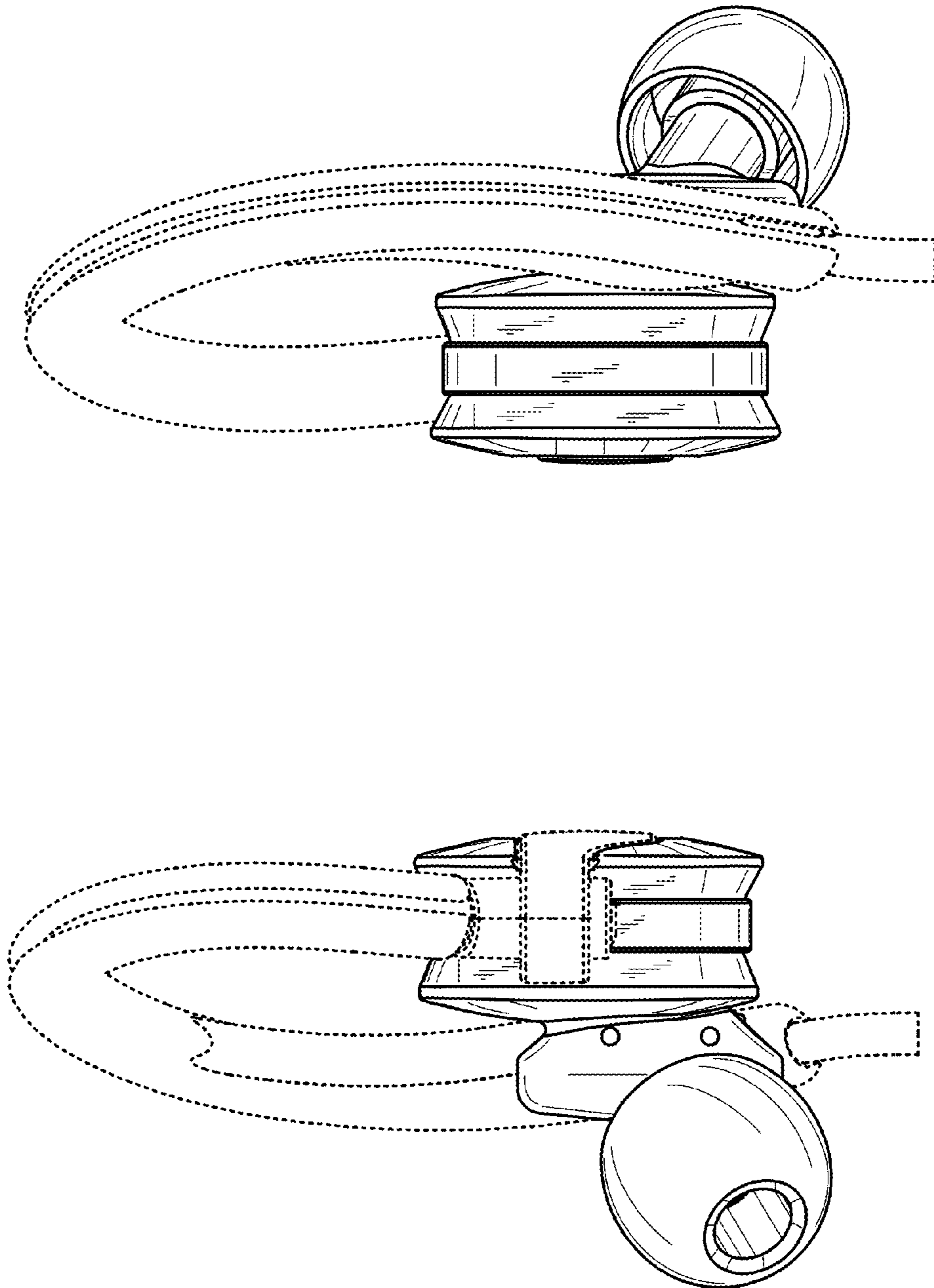


FIG. 12

FIG. 11

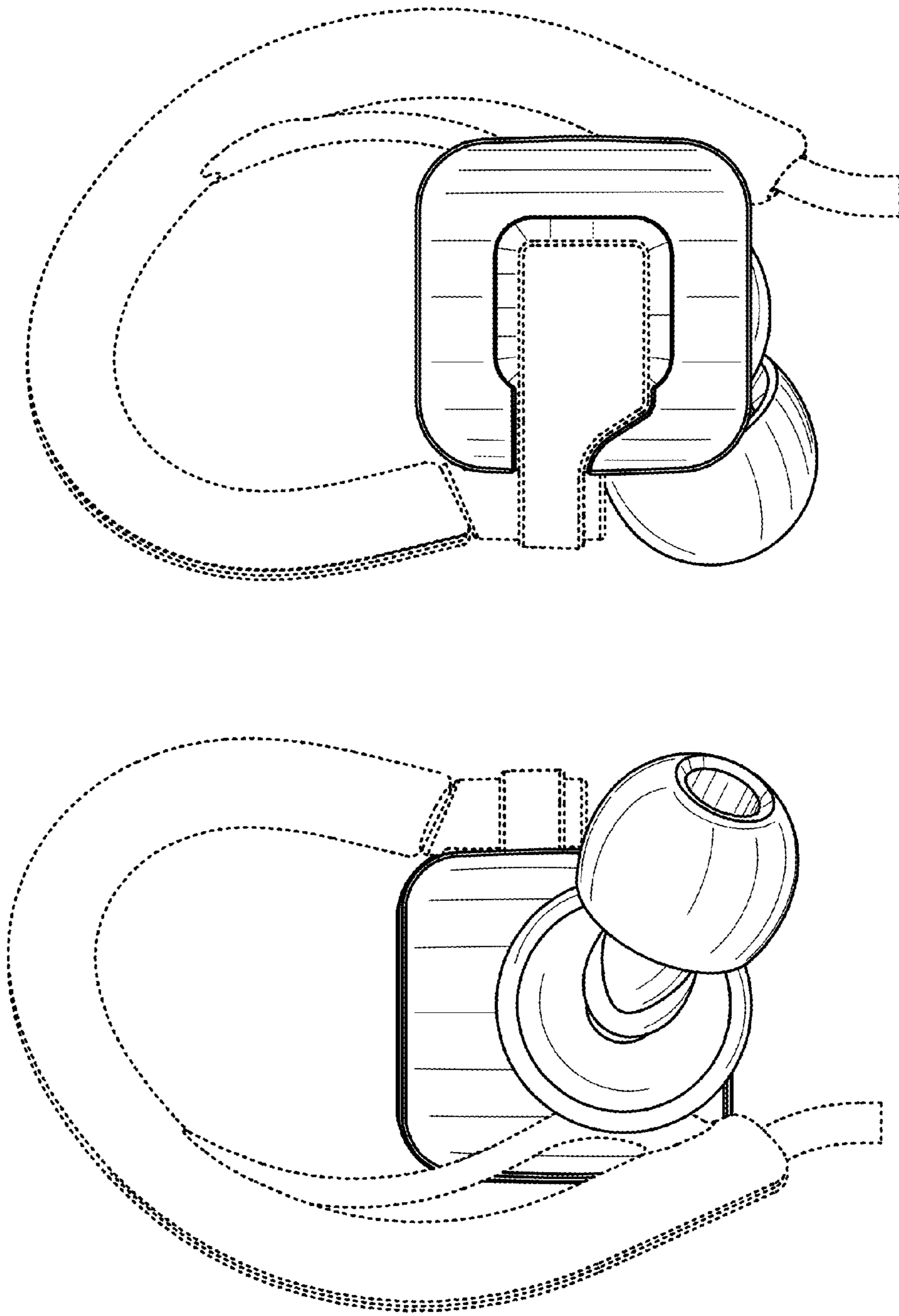


FIG. 14

FIG. 13