



US00D787474S

(12) **United States Design Patent**
Yap

(10) **Patent No.:** **US D787,474 S**

(45) **Date of Patent:** **** May 23, 2017**

(54) **REMOTE CONTROL**

(71) Applicant: **Home Control Singapore Pte. Ltd.,**
Toa Payoh (SG)

(72) Inventor: **Chong Pok Yap,** Sengkang (SG)

(73) Assignee: **Home Control Singapore Pte. Ltd.,**
Toa Payoh (SG)

(**) Term: **15 Years**

(21) Appl. No.: **29/541,898**

(22) Filed: **Oct. 8, 2015**

(30) **Foreign Application Priority Data**

Apr. 8, 2015 (EM) 002676668-0001

(51) **LOC (10) Cl.** **14-03**

(52) **U.S. Cl.**
USPC **D14/218**

(58) **Field of Classification Search**
USPC D14/218; D13/168
CPC .. A61L 2/10; G06F 3/033; G09G 5/08; G08C
19/12; G08C 17/02; G08G 5/08
See application file for complete search history.

(56) **References Cited**

U.S. PATENT DOCUMENTS

D450,662 S *	11/2001	Kwok	D13/168
D514,526 S *	2/2006	Chen	D13/168
D518,447 S *	4/2006	Spira	D13/168
D568,827 S *	5/2008	Ikeda	D13/168
D594,850 S *	6/2009	Yan	D14/218
D607,846 S *	1/2010	Daniels	D13/168
D615,965 S *	5/2010	Yokota	D14/218
D637,179 S *	5/2011	Chiu	D14/218
D645,848 S *	9/2011	Arnholt	D14/218
D692,417 S *	10/2013	Tu	D14/218
D697,055 S *	1/2014	McManigal	D14/218
D697,056 S *	1/2014	McManigal	D14/218

D713,820 S *	9/2014	O'Neil	D14/218
D730,875 S *	6/2015	McManigal	D14/218
D742,857 S *	11/2015	Andresen	D14/218

(Continued)

FOREIGN PATENT DOCUMENTS

EM	002676668-0001	*	4/2015
IN	252382-0001	*	11/2013

OTHER PUBLICATIONS

Google Launches New \$99 Streaming Box With Android TV, article date Oct. 16, 2014, site visited Aug. 27, 2016, <http://blog.streamingmedia.com/2014/10/google-launches-nexus-player.html>.*

(Continued)

Primary Examiner — John Windmuller

Assistant Examiner — John R Yeh

(74) *Attorney, Agent, or Firm* — Foley & Lardner LLP

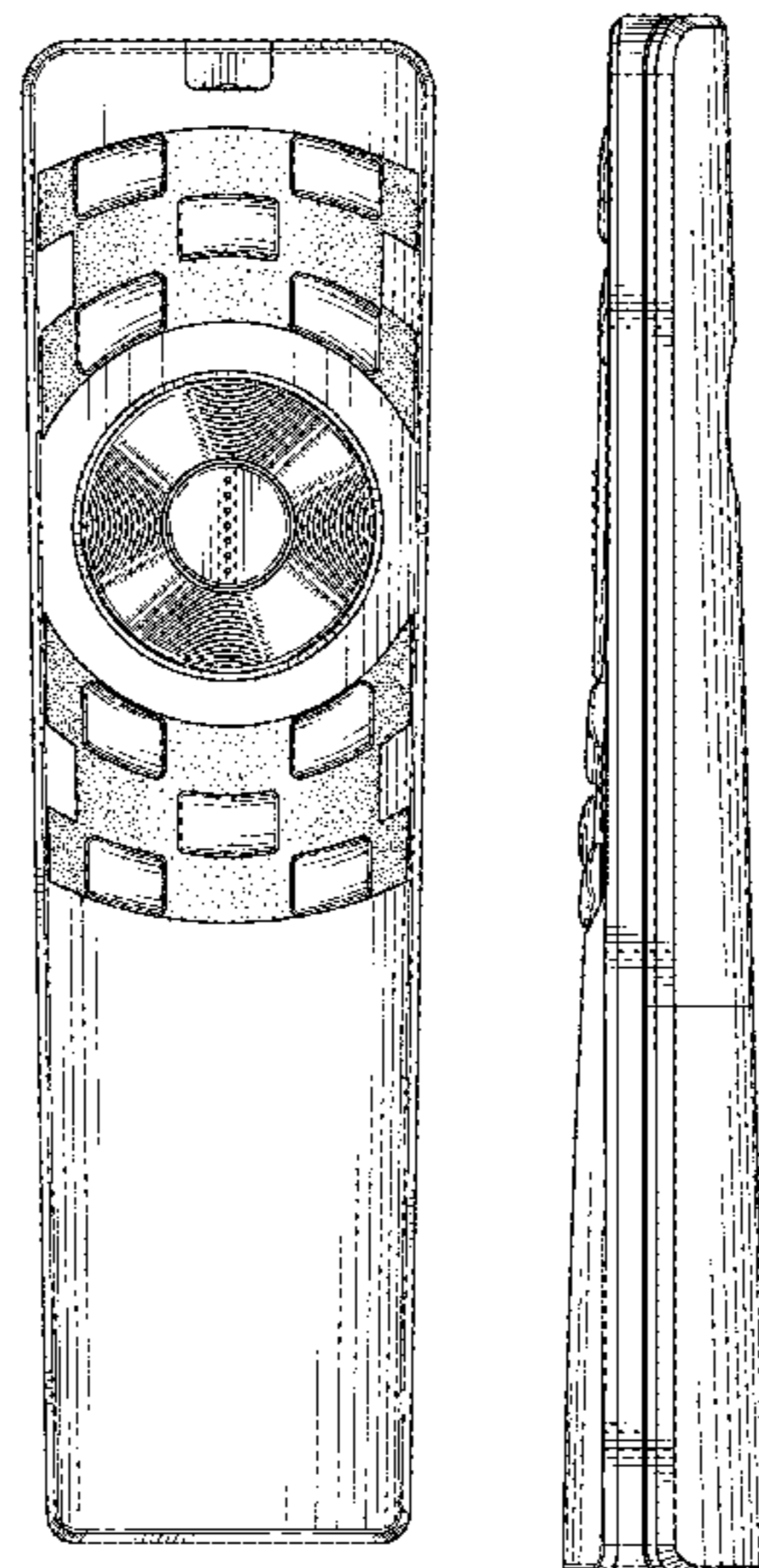
(57) **CLAIM**

I claim the ornamental design for a remote control, as shown and described.

DESCRIPTION

FIG. 1 is a perspective view of an embodiment of the claimed design;
FIG. 2 is a front view of the embodiment of FIG. 1;
FIG. 3 is a rear view of the embodiment of FIG. 1;
FIG. 4 is a side view of the embodiment of FIG. 1;
FIG. 5 is a top view of the embodiment of FIG. 1; and,
FIG. 6 is a bottom view of the embodiment of FIG. 1.
The ornamental design which is claimed is shown in solid lines in the drawings. The broken lines in the drawings are for illustrative purposes only and form no part of the claimed design. Portions shown in stipple shading as opposed to line shading (e.g., as shown in FIGS. 1-2 and 7-8) are intended to illustrate contrasting surfaces unlimited by colors, textures, or other decorative embellishments.

1 Claim, 3 Drawing Sheets



(56)

References Cited

U.S. PATENT DOCUMENTS

D743,943 S * 11/2015 Kim D14/218
9,263,210 B2 * 2/2016 Ng H01H 13/88
D752,554 S * 3/2016 Valeur D14/218
D752,555 S * 3/2016 Langhammer D14/218
D755,758 S * 5/2016 Maier D14/218
D756,969 S * 5/2016 Kim D14/218
D760,699 S * 7/2016 Peh D14/218
D760,700 S * 7/2016 Peh D14/218

OTHER PUBLICATIONS

Omni Remotes | Founded by Philips, website copyright 2015,
<http://www.omniremotes.com/>, [site visited Aug. 27, 2016 6:34:35
PM].*

* cited by examiner

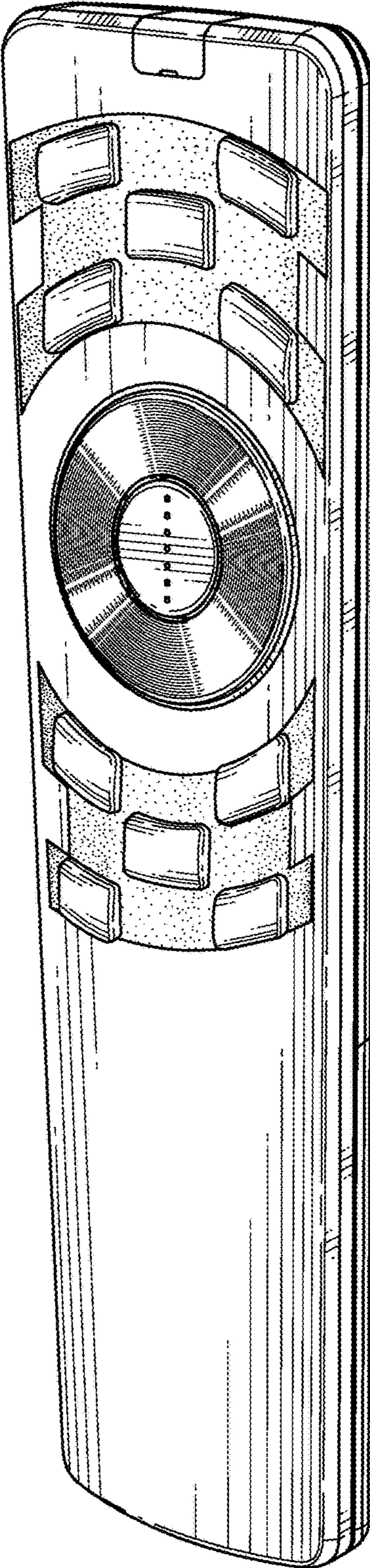


FIG. 1

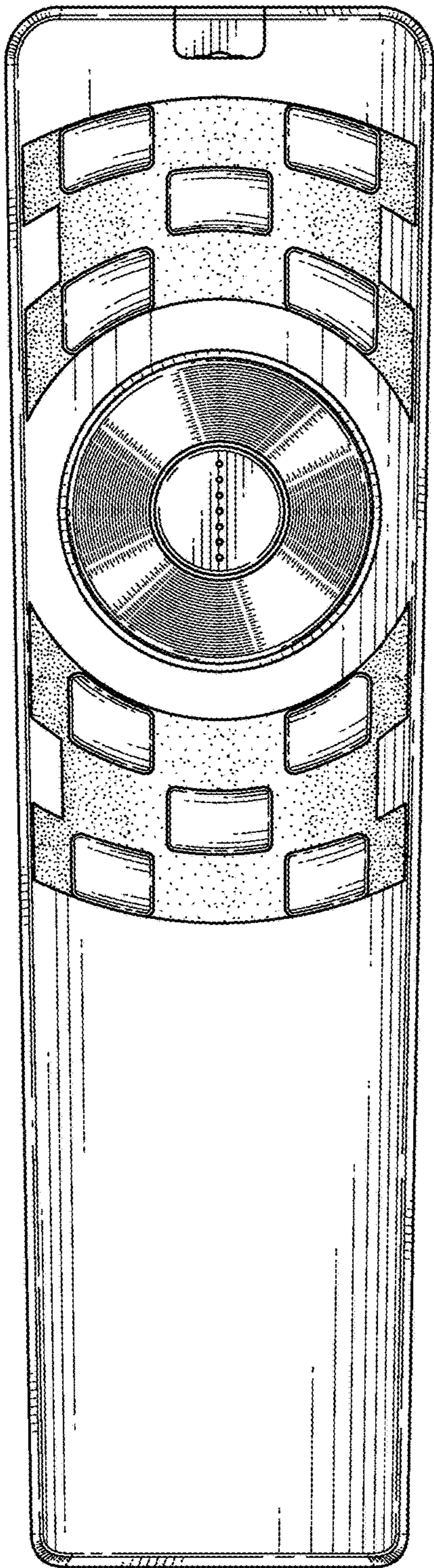


FIG. 2

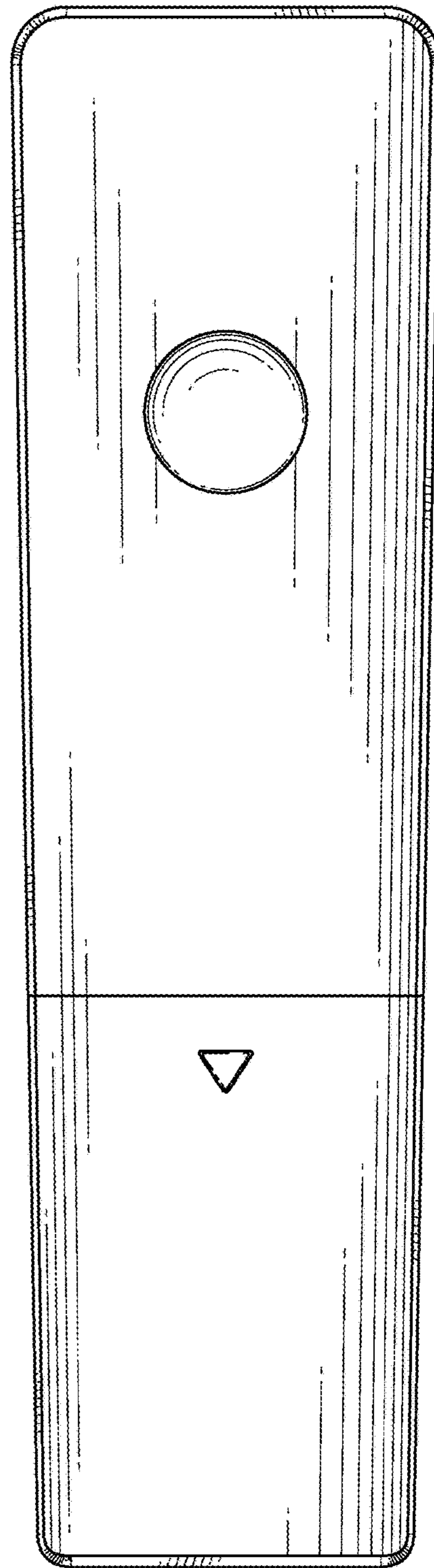


FIG. 3

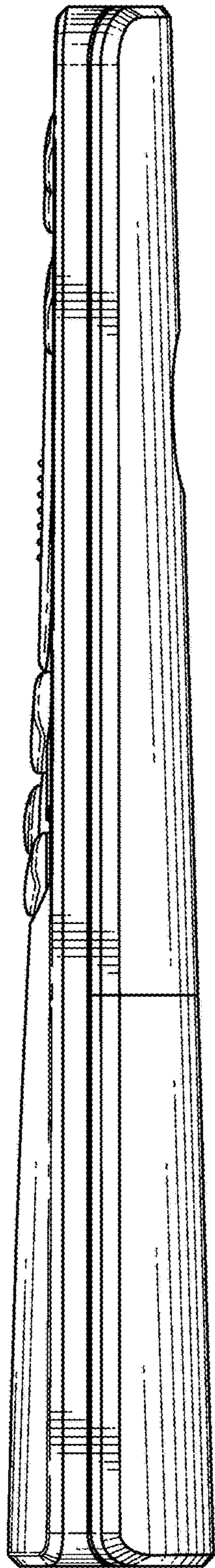


FIG. 4

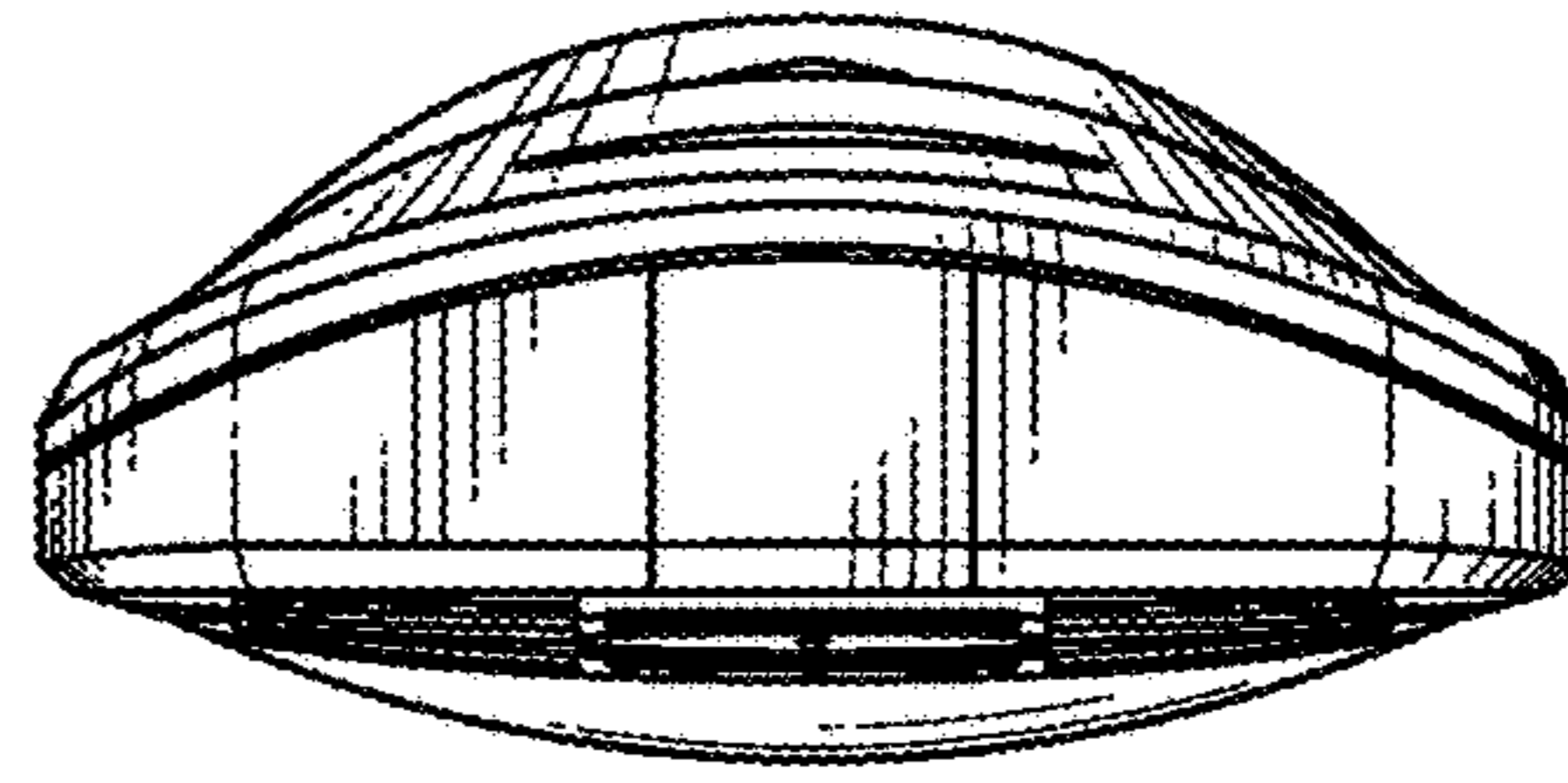


FIG. 5

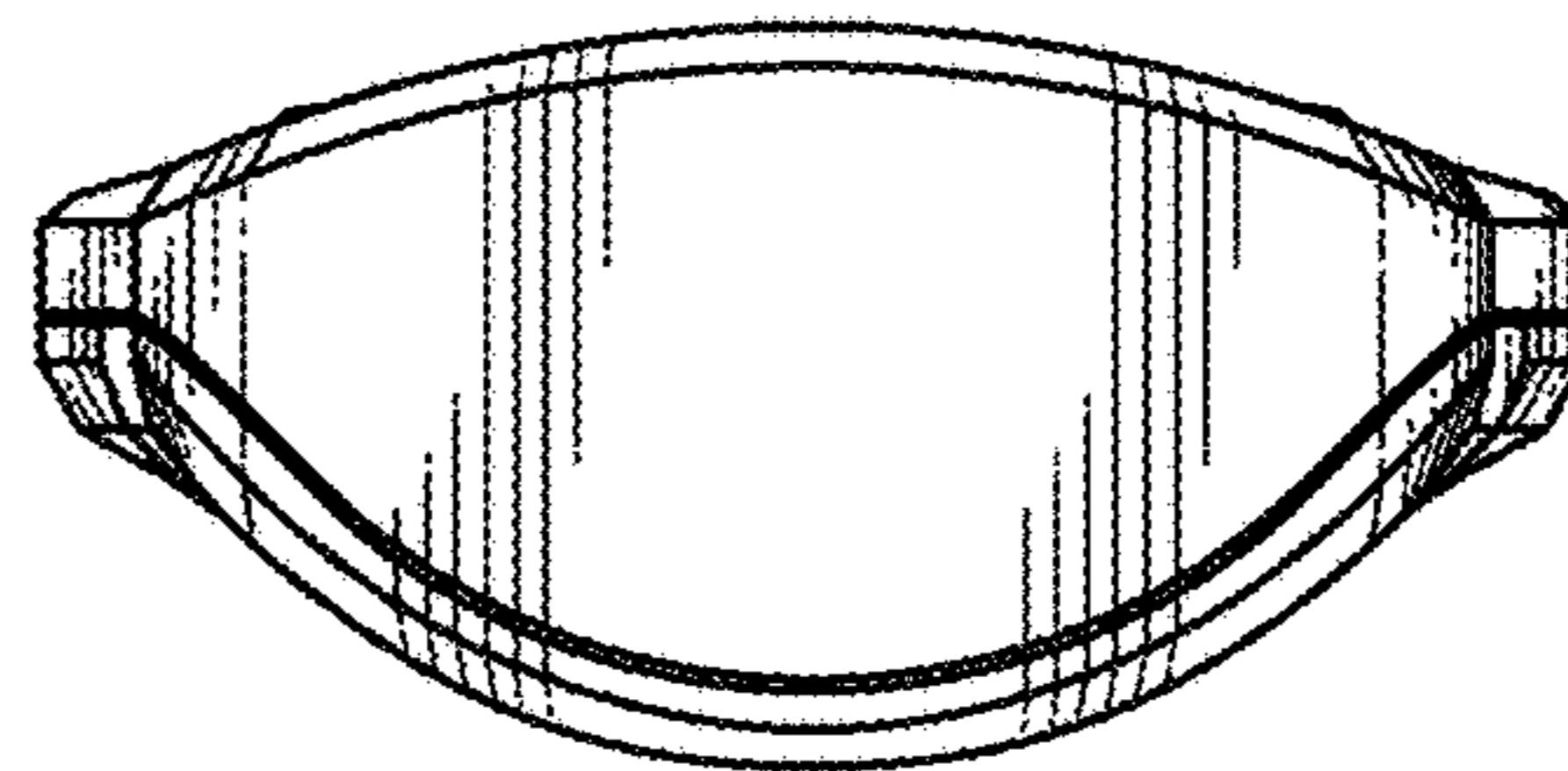


FIG. 6