



US00D787471S

(12) **United States Design Patent**
Nesbit

(10) **Patent No.:** **US D787,471 S**

(45) **Date of Patent:** **** May 23, 2017**

(54) **PORTABLE SPEAKER SYSTEM**

(71) Applicant: **Rock Box Luggage, LLC**, Columbus, OH (US)

(72) Inventor: **Christopher Nesbit**, Columbus, OH (US)

(73) Assignee: **Rock Box Luggage, LLC**, Columbus, OH (US)

(**) Term: **15 Years**

(21) Appl. No.: **29/546,134**

(22) Filed: **Nov. 19, 2015**

(51) **LOC (10) Cl.** **14-01**

(52) **U.S. Cl.**
USPC **D14/207; D14/206**

(58) **Field of Classification Search**
USPC D14/204, 218, 172, 210–216, 209.1, 496, D14/497, 137, 168, 181, 185, 188, 299, D14/203.1–203.8, 221; 181/143, 147, 181/148, 150, 153, 157, 198, 199, 166, 181/144; 381/300–303, 306, 332, 333, 381/336, 345, 361–364, 370, 386–388; 455/344–351; 84/609–614, 634–638; 434/307 A, 307 R, 309, 318; 352/1, 6–10
CPC H04R 1/02; H04R 1/023; H04R 1/026; H04R 1/30; H04R 3/00; H04R 9/06; H04R 11/02; H04R 19/02
See application file for complete search history.

(56) **References Cited**

U.S. PATENT DOCUMENTS

7,242,785 B2 * 7/2007 McNary H04R 1/2811
381/182
D569,846 S * 5/2008 Ragde, Jr. D14/214

D596,158 S * 7/2009 Ragde, Jr. D14/214
D633,082 S * 2/2011 Ragde, Jr. D14/214
8,014,545 B2 * 9/2011 Grant H04R 1/025
181/150
D653,651 S * 2/2012 Ragde, Jr. D14/214
8,477,953 B2 * 7/2013 Hobson H01R 13/748
381/59
D710,825 S * 8/2014 Florczak D14/214
D711,354 S * 8/2014 Florczak D14/215
8,948,438 B2 * 2/2015 Hatton H04R 1/02
381/332
9,094,747 B2 * 7/2015 Rayner H04R 1/2834
9,154,863 B2 * 10/2015 Smith H04R 1/02
9,282,386 B2 * 3/2016 Low B23P 11/00

* cited by examiner

Primary Examiner — Prabhakar Deshmukh

(74) *Attorney, Agent, or Firm* — Standley Law Group LLP; Kenneth Smith

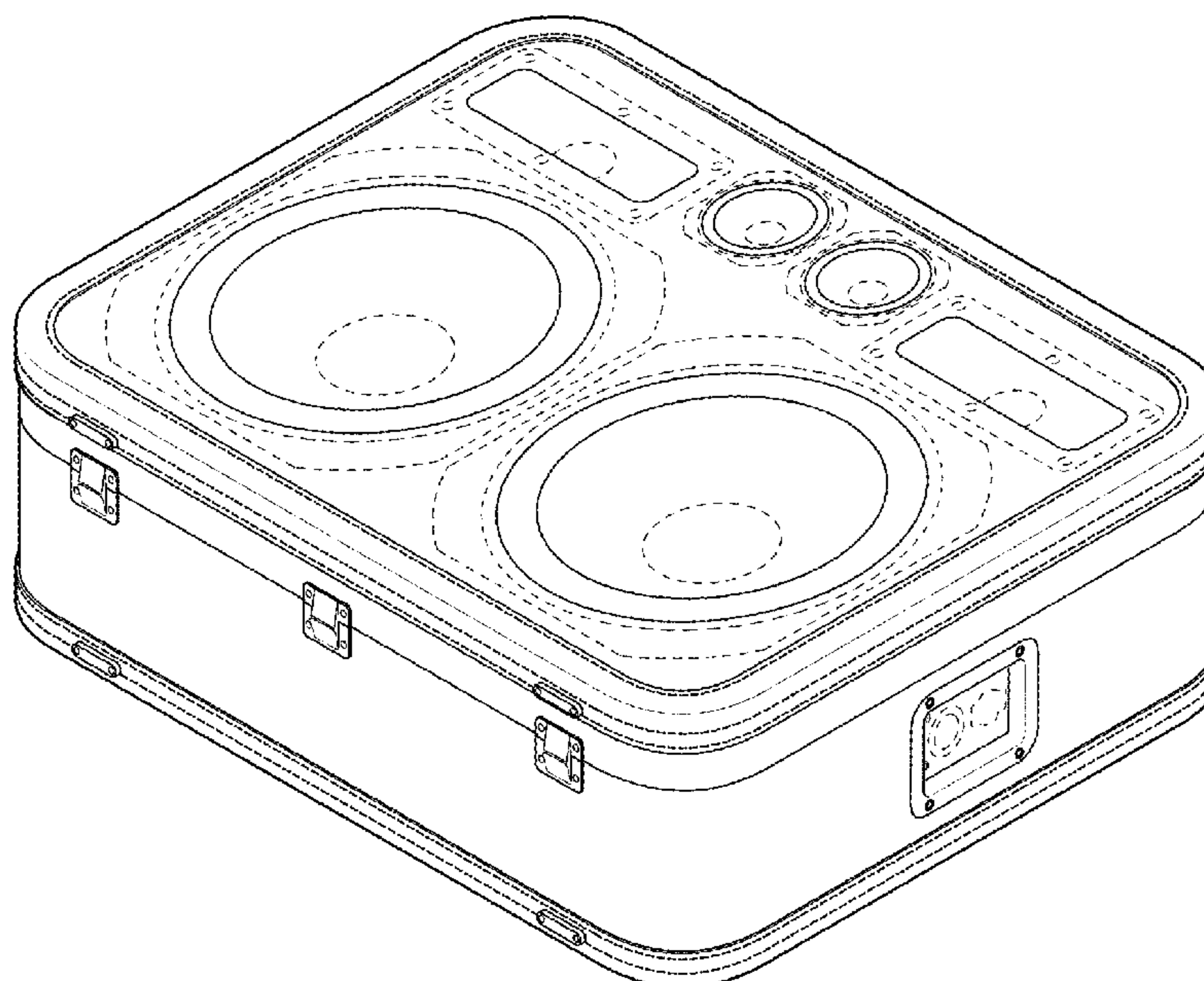
(57) **CLAIM**

The ornamental design for a portable speaker system, as shown and described.

DESCRIPTION

FIG. 1 is a perspective view of the portable speaker system; FIG. 2 is a top elevation view thereof; FIG. 3 is a bottom elevation view thereof; FIG. 4 is a left side elevation view thereof; FIG. 5 is a right side elevation view thereof; FIG. 6 is a front elevation view thereof; and, FIG. 7 is a back elevation view thereof. The broken lines indicate unclaimed portions and from no part of the claimed design.

1 Claim, 4 Drawing Sheets



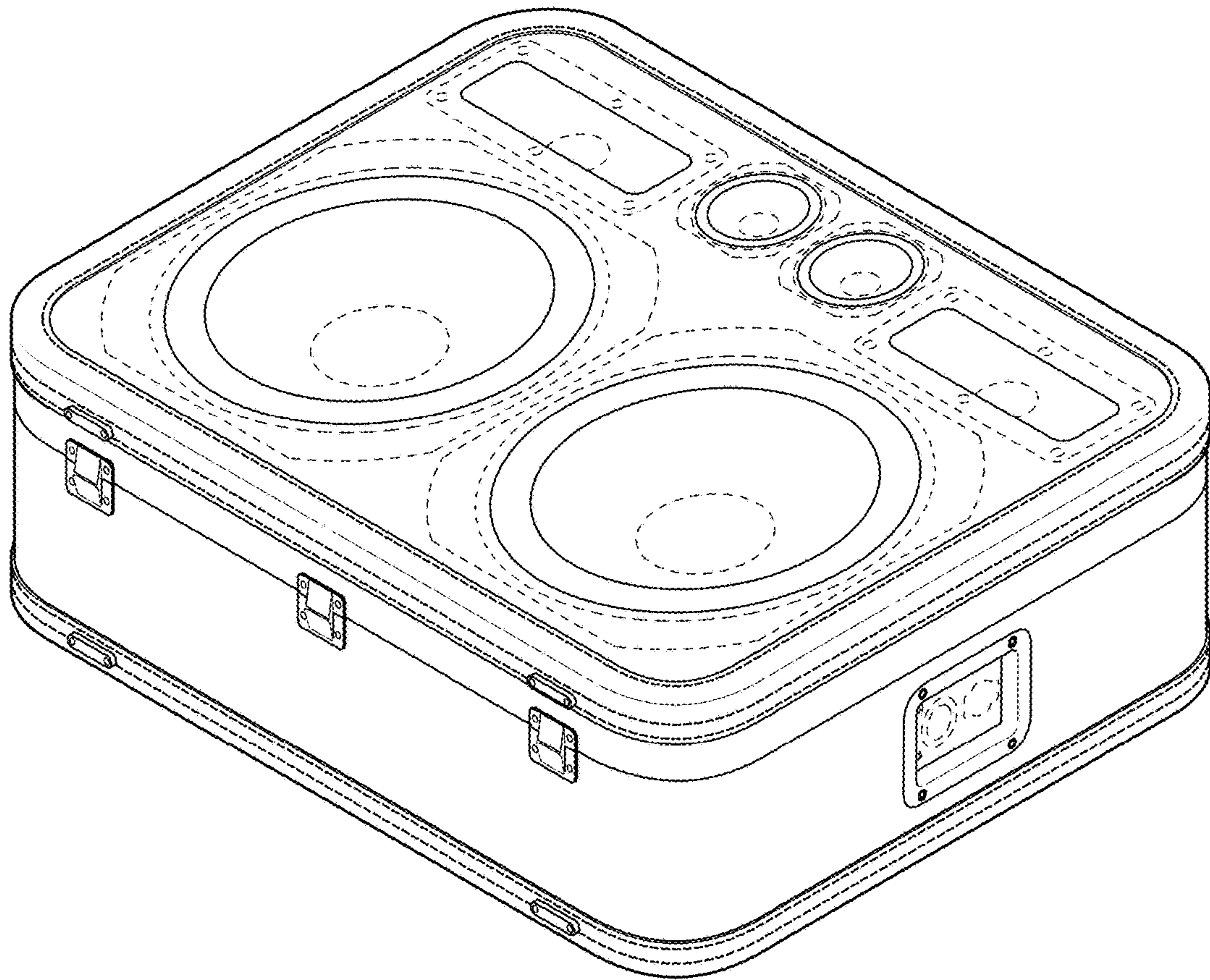


Fig. 1

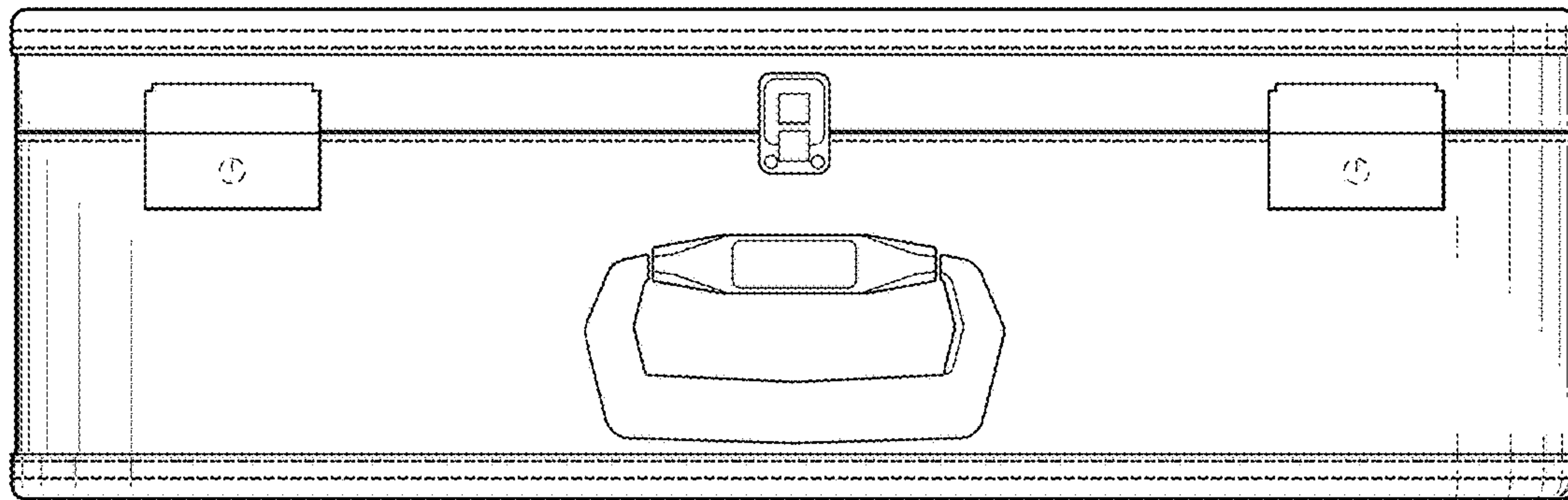


Fig. 2

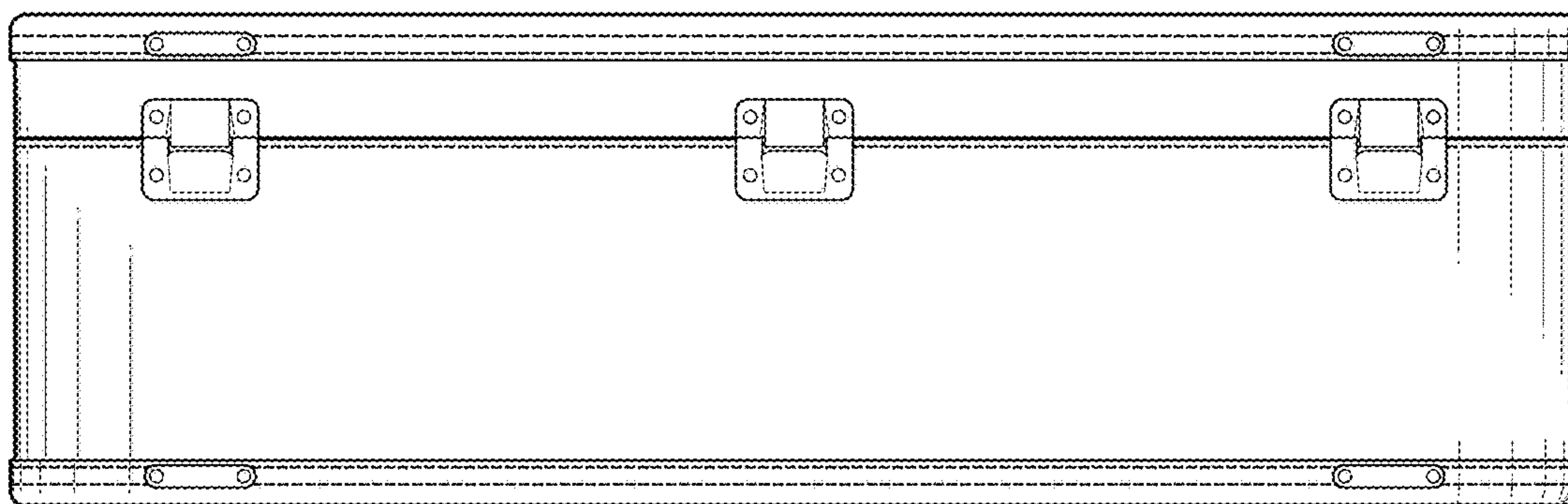


Fig. 3

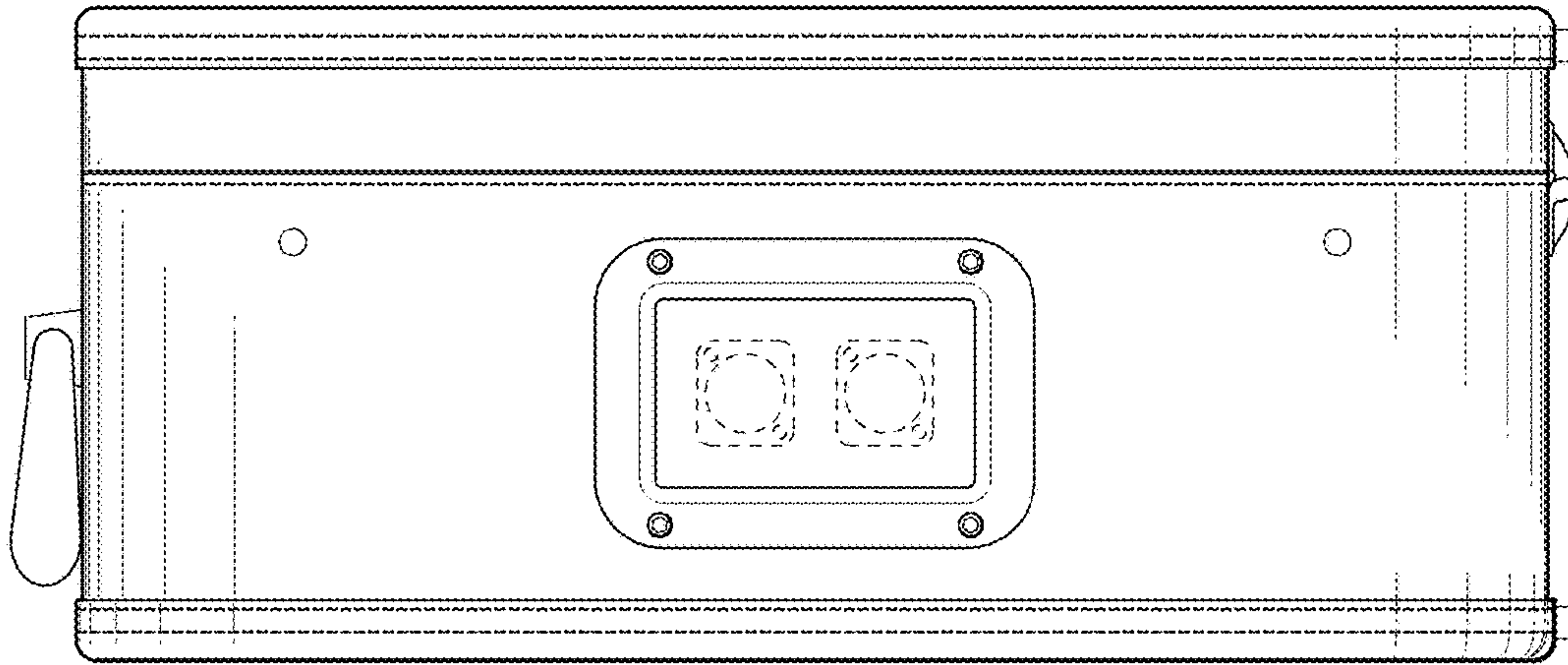


Fig. 4

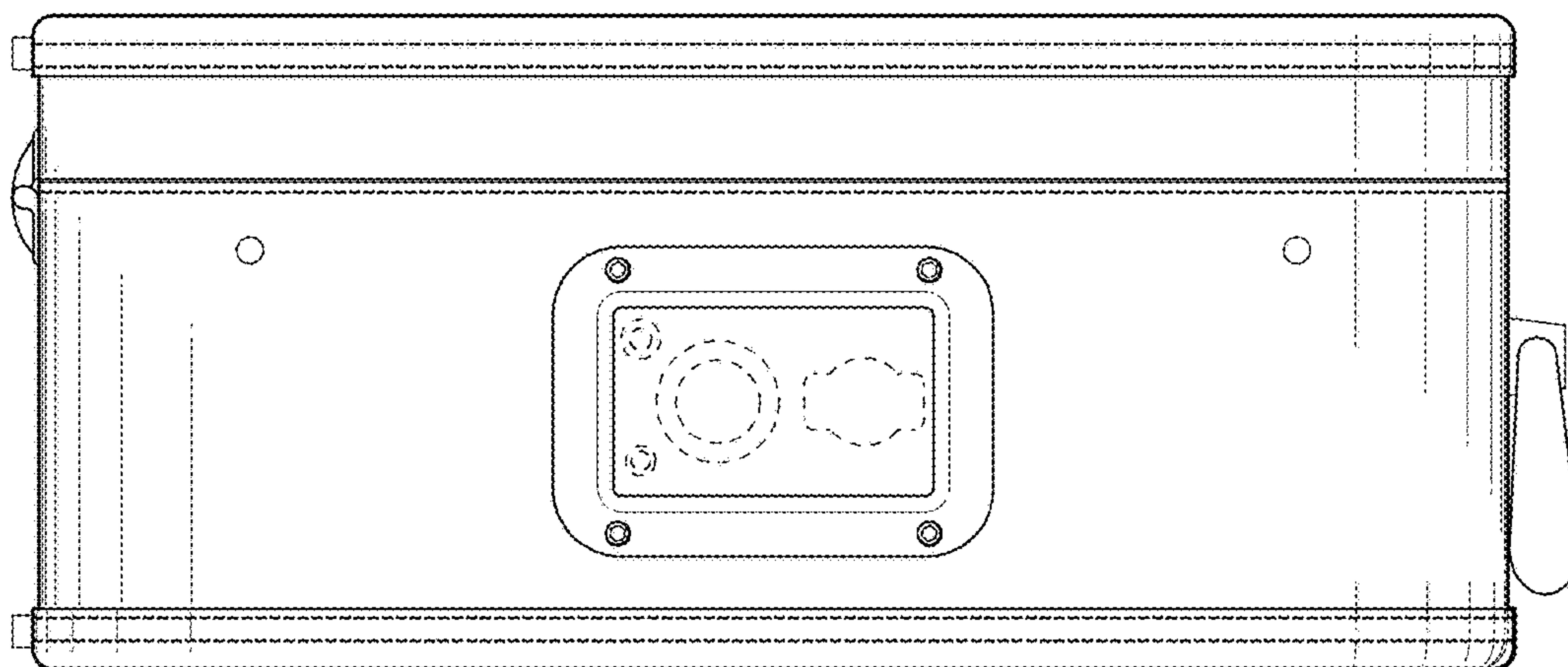


Fig. 5

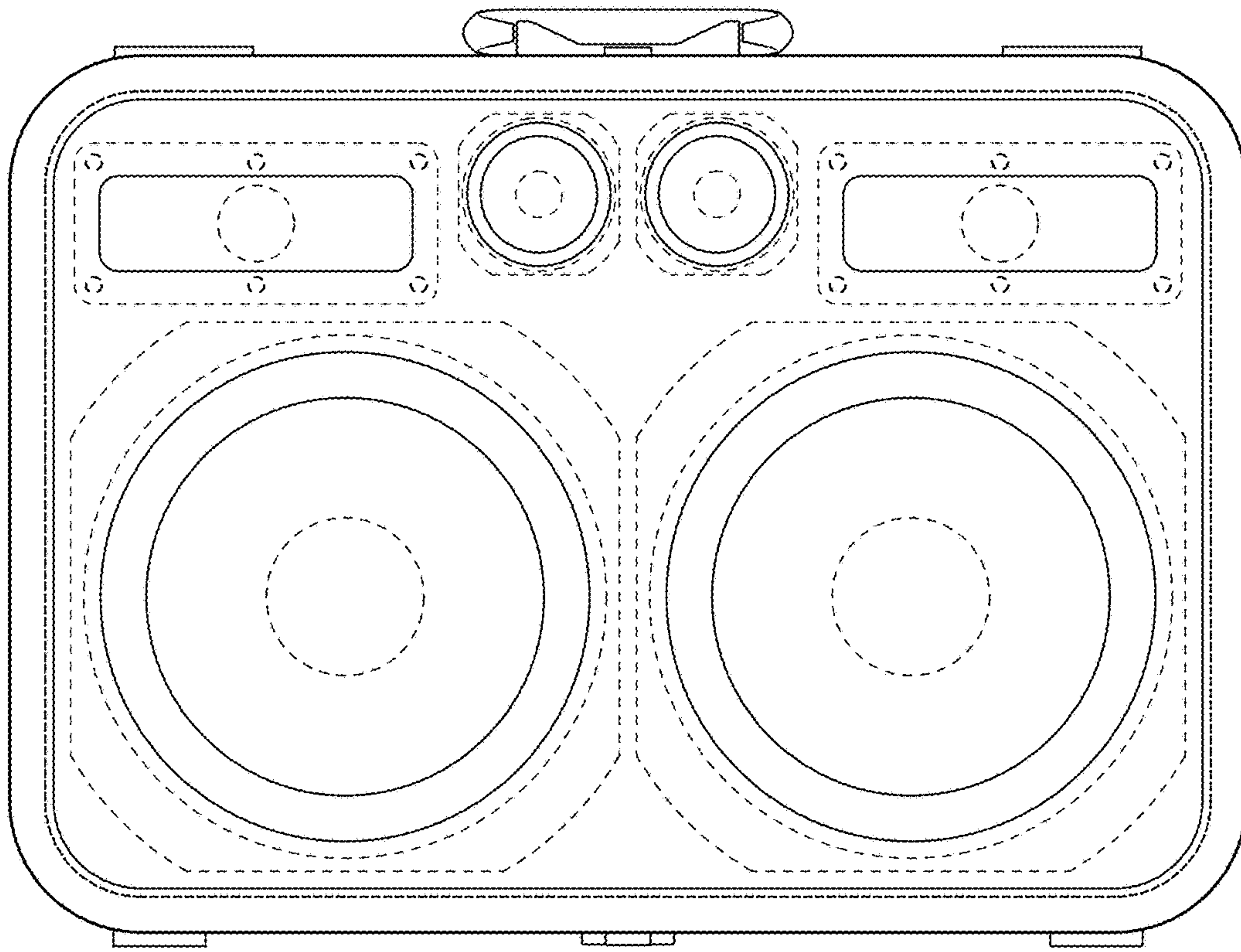


Fig. 6

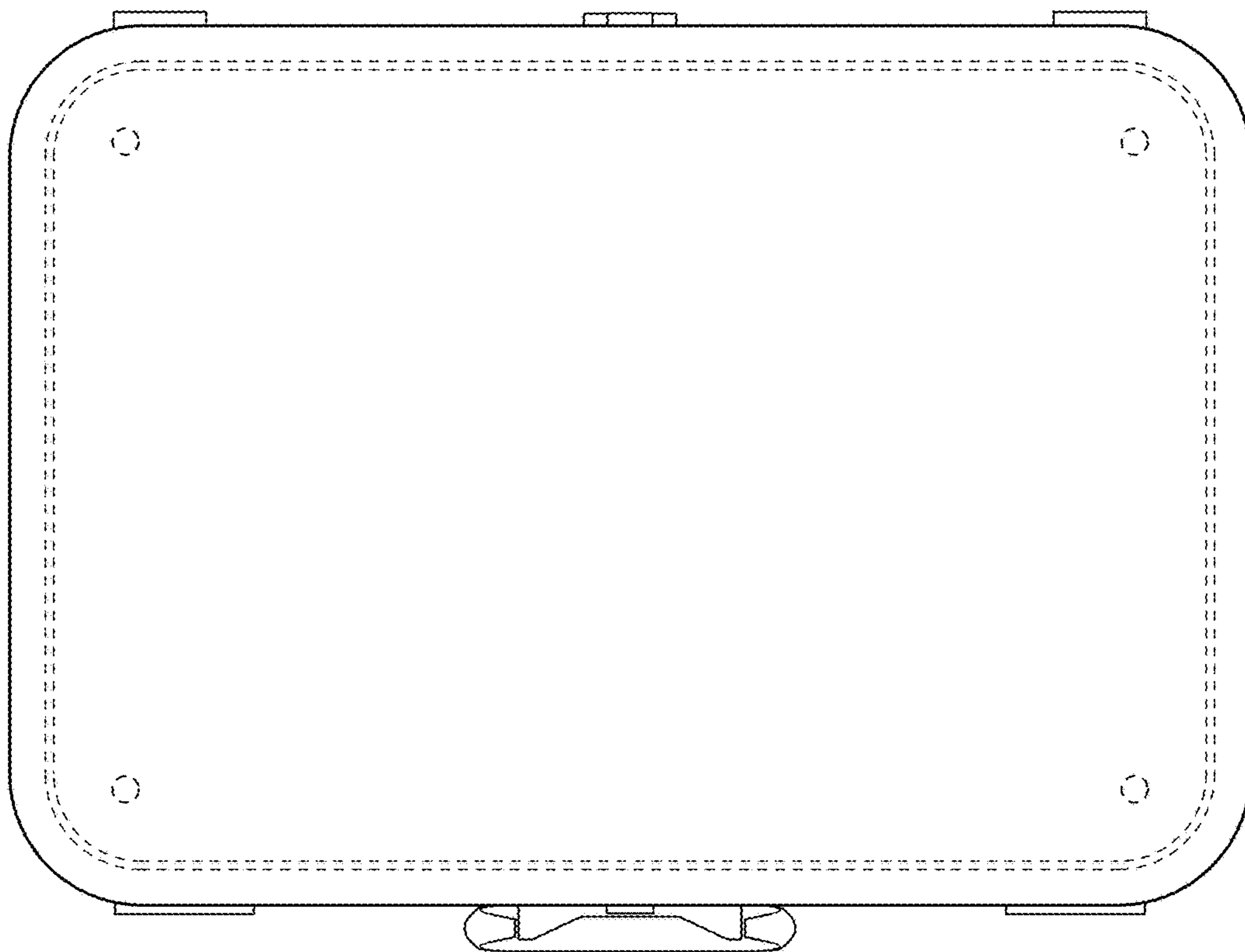


Fig. 7