



US00D787470S

(12) **United States Design Patent**
Kelly et al.

(10) **Patent No.:** **US D787,470 S**
(45) **Date of Patent:** **** May 23, 2017**

(54) **HEADPHONE**

(71) Applicant: **Skullcandy, Inc.**, Park City, UT (US)

(72) Inventors: **Peter M. Kelly**, Park City, UT (US);
Steve Page, Salt Lake City, UT (US);
David G. Vogt, Jr., Salt Lake City, UT (US)

(73) Assignee: **Skullcandy, Inc.**, Park City, UT (US)

(**) Term: **15 Years**

(21) Appl. No.: **29/548,154**

(22) Filed: **Dec. 10, 2015**

(51) **LOC (10) Cl.** **14-01**

(52) **U.S. Cl.**
USPC **D14/205**

(58) **Field of Classification Search**
USPC D14/205; D29/112; 2/209; 181/129,
181/130, 135; 379/430, 431; 381/74,
381/380, 381, 379, 374, 375, 383, 382,
381/384
CPC H04R 25/00; H04R 1/10; H04R 1/1066;
H04R 1/1016; H04R 5/033; H04R 5/0335
See application file for complete search history.

(56) **References Cited**

U.S. PATENT DOCUMENTS

- 5,068,923 A * 12/1991 Sjoqvist A61F 11/14
181/129
- D328,074 S * 7/1992 Yamazaki D14/205
- D468,723 S * 1/2003 Pham D14/205
- 6,654,966 B2 * 12/2003 Rolla H04R 5/0335
2/209
- 6,993,143 B2 * 1/2006 Harris H04R 5/0335
381/374
- D532,407 S * 11/2006 Motoishi D14/205

- D541,255 S * 4/2007 Taylor D14/205
- D573,581 S * 7/2008 Gondo D14/205
- D585,872 S * 2/2009 Lee D14/205
- D594,847 S * 6/2009 Suzuki D14/205
- D616,865 S * 6/2010 Marchand D14/205
- D623,627 S 9/2010 Alden et al.
- D625,705 S * 10/2010 Ohori D14/205
- D634,732 S * 3/2011 Kondo D14/205
- D639,776 S * 6/2011 Arimoto D14/205
- D641,003 S 7/2011 Alden
- D650,356 S 12/2011 Alden et al.
- D657,344 S * 4/2012 Brunner D14/205
- D665,776 S 8/2012 Alden et al.
- D665,777 S 8/2012 Alden et al.
- D673,136 S 12/2012 Kelly et al.

(Continued)

Primary Examiner — Paula Greene

(74) *Attorney, Agent, or Firm* — TraskBritt

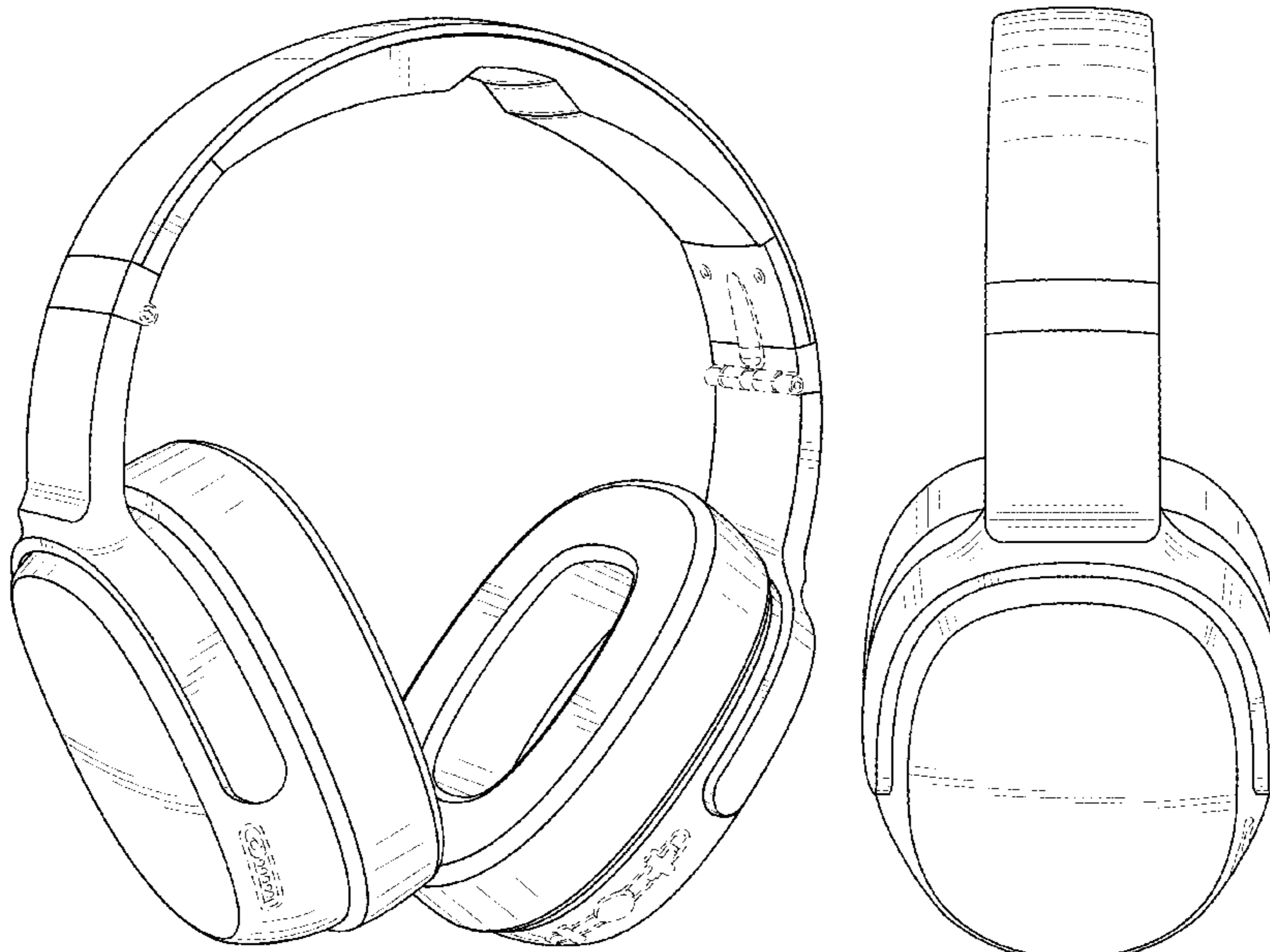
(57) **CLAIM**

The ornamental design for a headphone, as shown and described.

DESCRIPTION

FIG. 1 is a front perspective view of a headphone showing our new design;
 FIG. 2 is a front side view of the headphone shown in FIG. 1;
 FIG. 3 is a back side view of the headphone shown in FIG. 1;
 FIG. 4 is a left side view of the headphone shown in FIG. 1;
 FIG. 5 is a right side view of the headphone shown in FIG. 1;
 FIG. 6 is a top view of the headphone shown in FIG. 1; and,
 FIG. 7 is a bottom view of the headphone shown in FIG. 1.
 The broken line portions of Figures FIGS. 1-7 are included to show unclaimed subject matter only and form no part of the claimed design.

1 Claim, 6 Drawing Sheets



(56)

References Cited

U.S. PATENT DOCUMENTS

8,325,962	B2 *	12/2012	Ishida	H04R 5/0335
				381/370
D674,372	S	1/2013	Kelly et al.	
D677,241	S	3/2013	Kelly et al.	
D683,329	S *	5/2013	Hagelin	D14/205
D683,717	S	6/2013	Kelly et al.	
D685,759	S	7/2013	Kelly et al.	
D689,464	S	9/2013	Bonahoom et al.	
D691,582	S	10/2013	Nguyen et al.	
D693,793	S	11/2013	Kelly et al.	
D699,216	S	2/2014	Bonahoom et al.	
D701,193	S	3/2014	Kelly et al.	
D707,654	S	6/2014	Nguyen et al.	
8,767,996	B1 *	7/2014	Lin	H04R 1/1091
				381/370
D719,136	S *	12/2014	Schaal	D14/205
D721,052	S *	1/2015	Carr	D14/205
9,344,794	B1 *	5/2016	Blonder	H04R 1/1066
D758,337	S *	6/2016	Szymanski	D14/205
D765,055	S *	8/2016	Hsieh	D14/205
2010/0310093	A1 *	12/2010	Semcken	H04R 1/1058
				381/104
2014/0056459	A1 *	2/2014	Oishi	H04R 31/00
				381/370

* cited by examiner

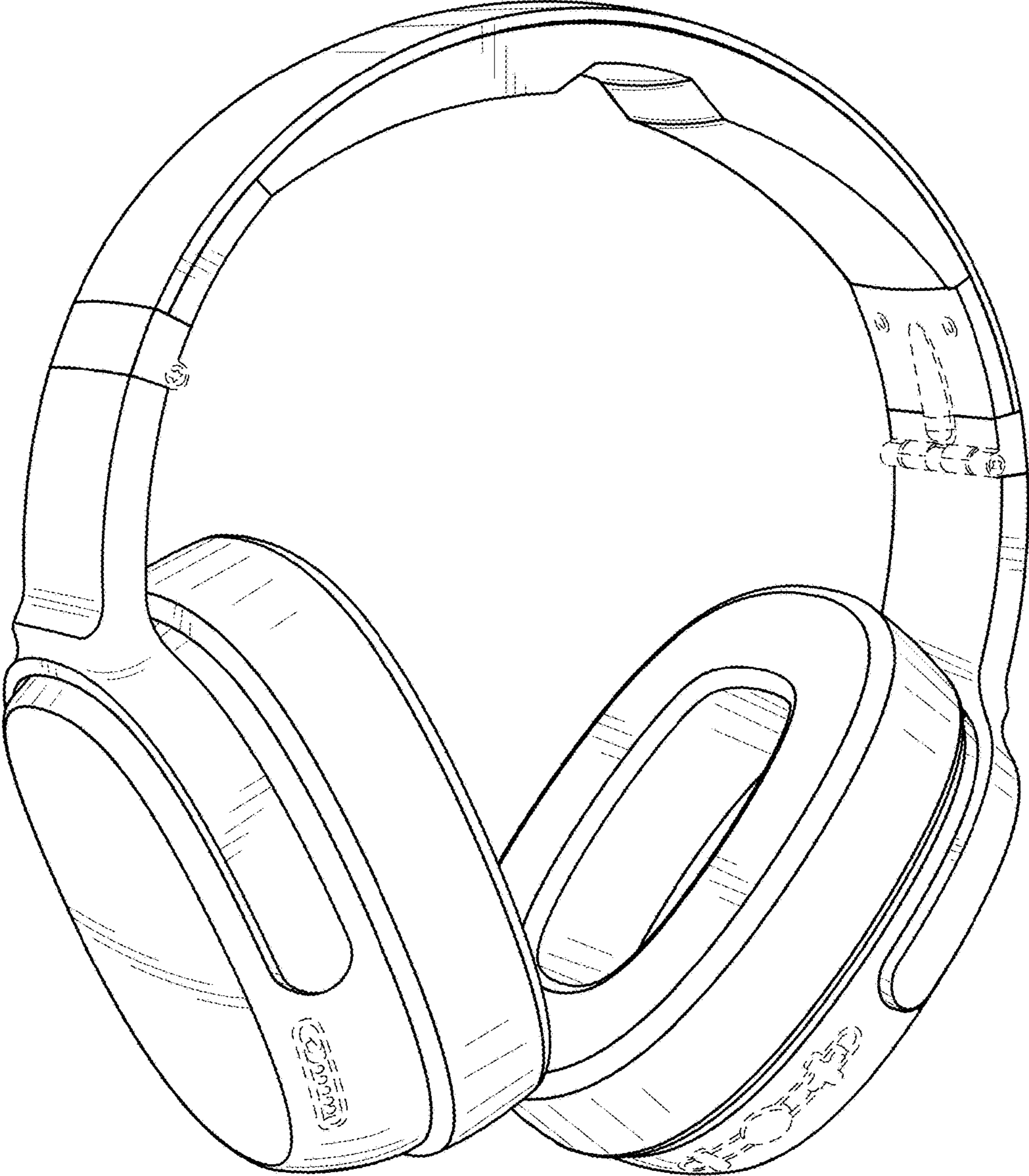


FIG. 1

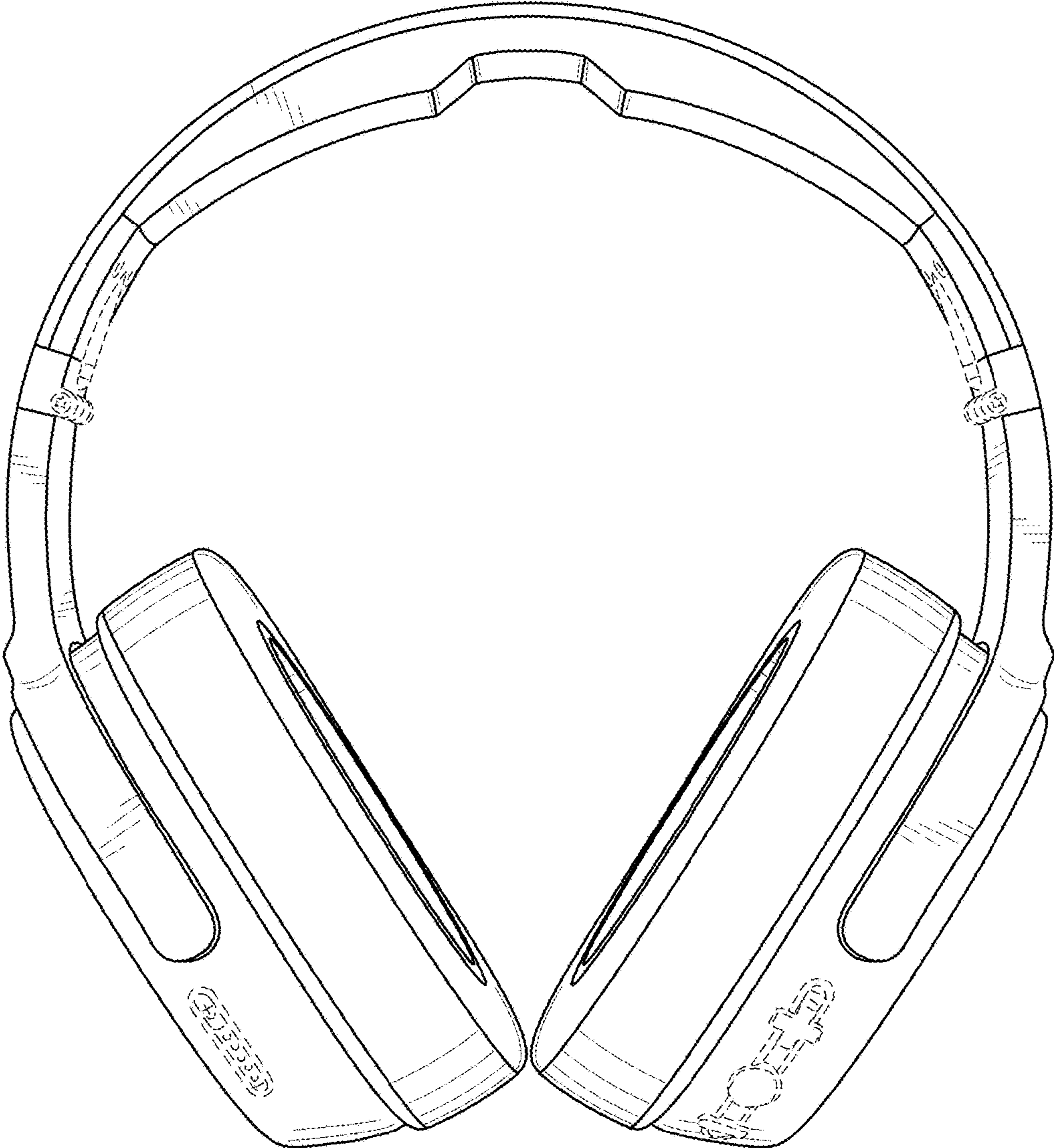


FIG. 2



FIG. 3

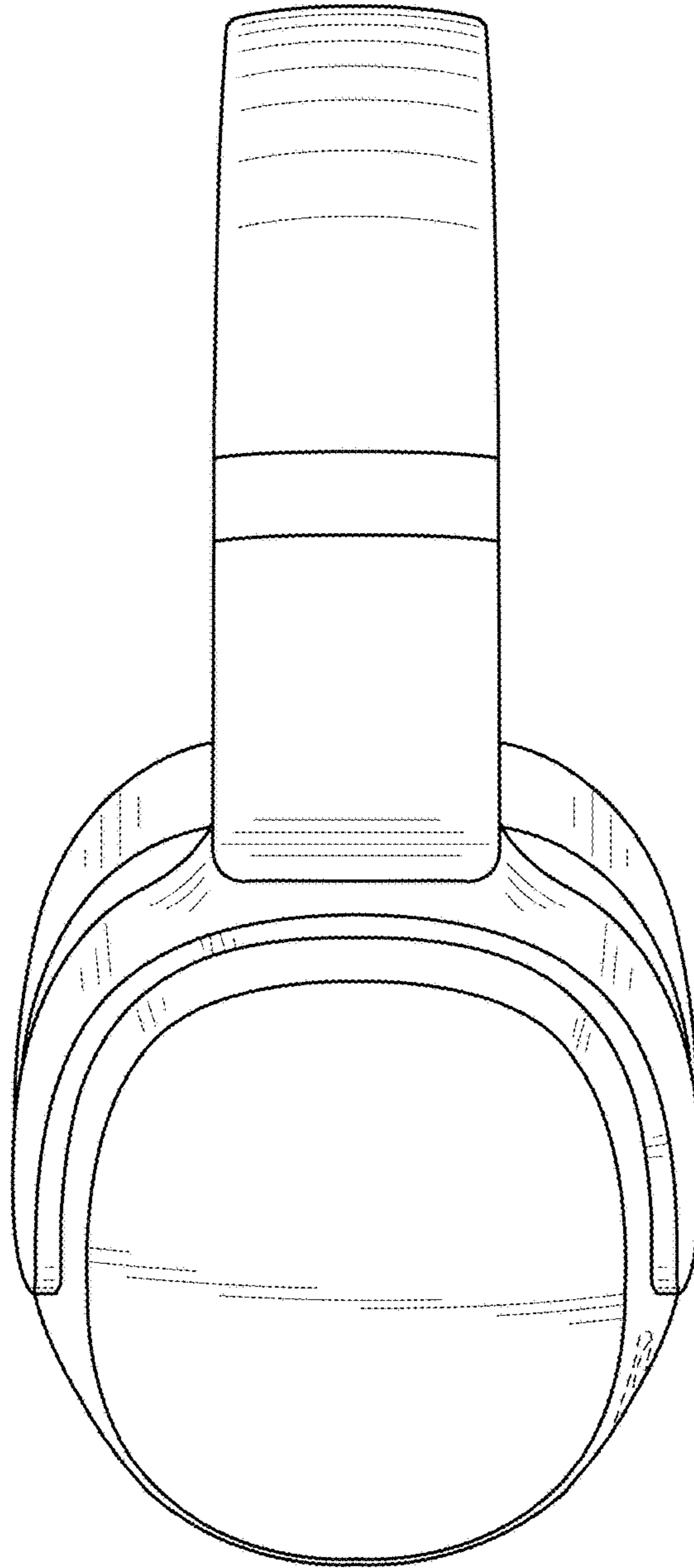


FIG. 4

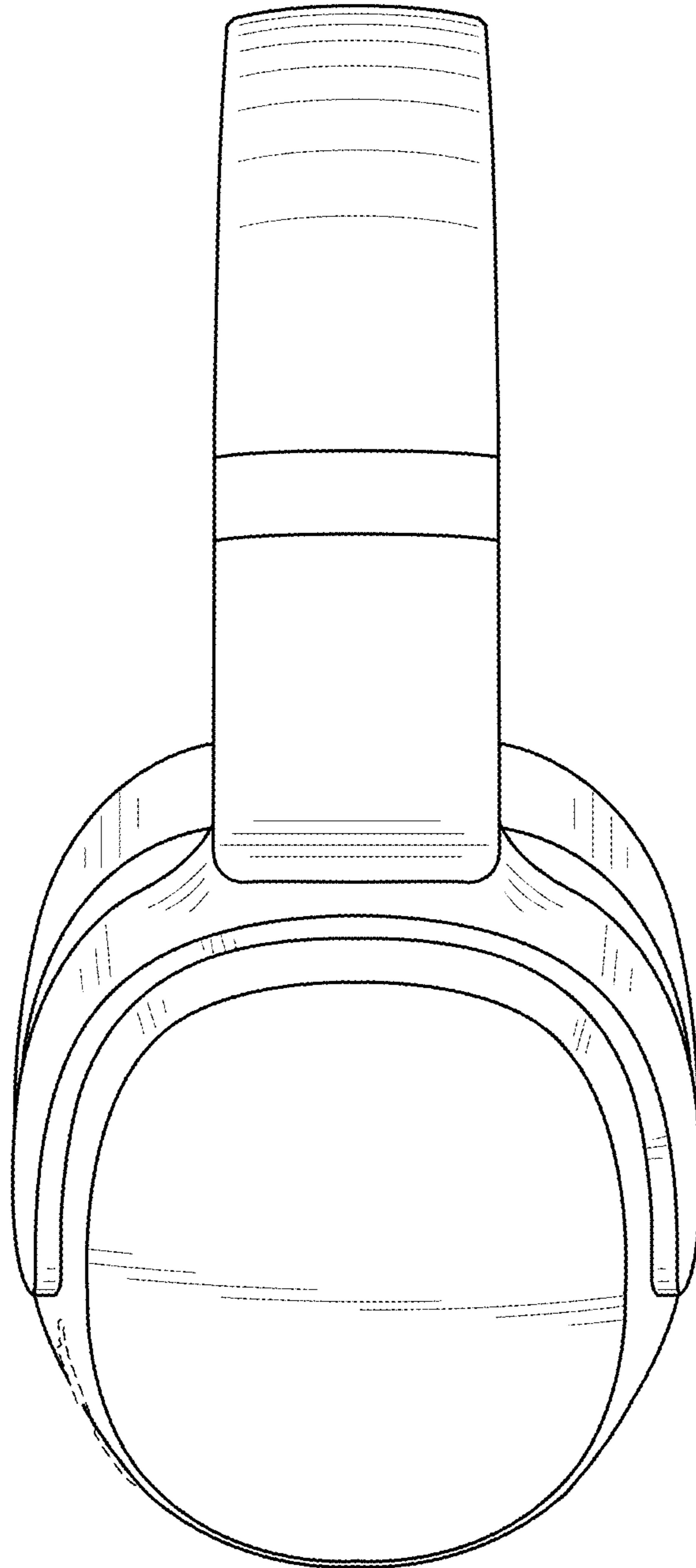


FIG. 5

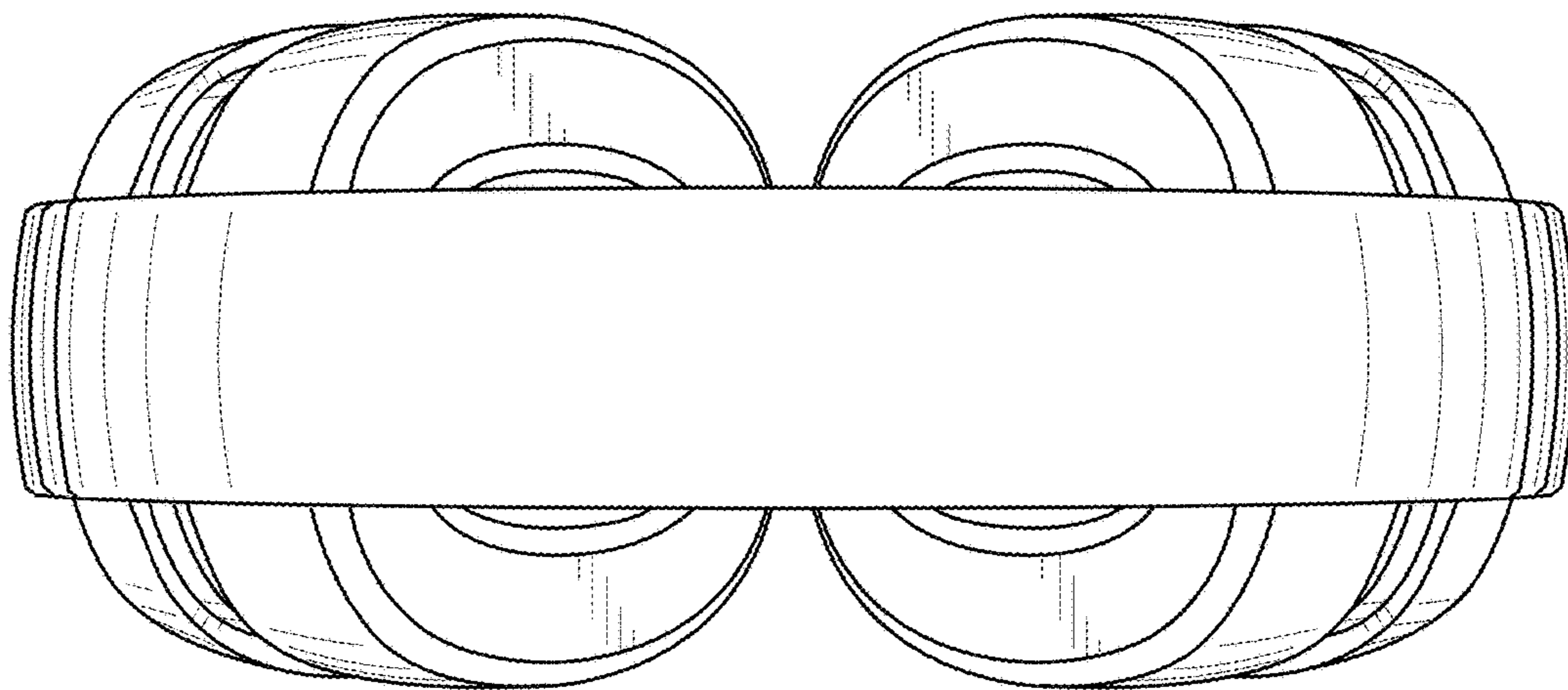


FIG. 6

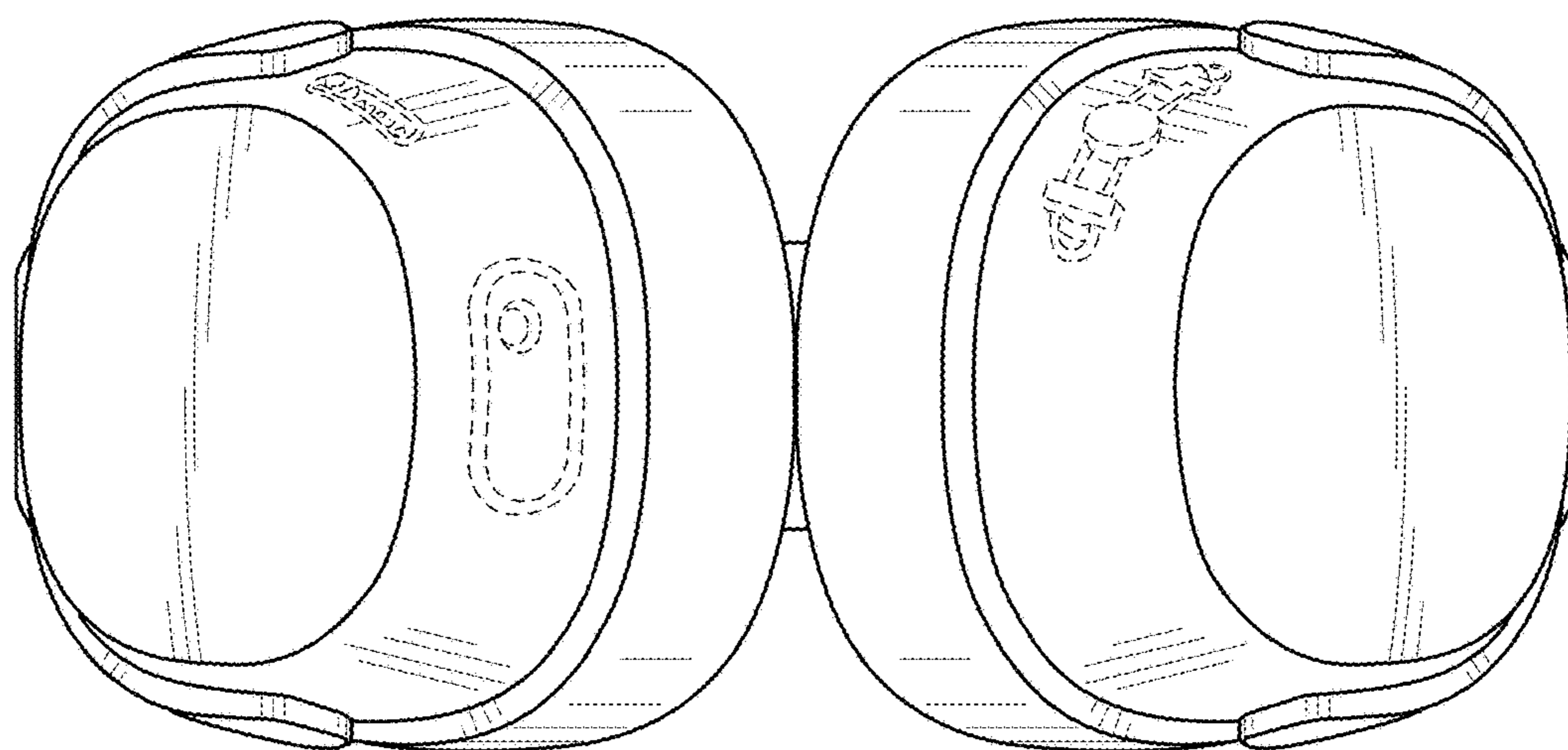


FIG. 7