



US00D787469S

(12) **United States Design Patent**  
**Djohar et al.**

(10) **Patent No.:** **US D787,469 S**

(45) **Date of Patent:** **\*\* May 23, 2017**

- (54) **HEADPHONE**
- (71) Applicant: **SOUNDCHIP SA**,  
Bussigny-pres-Lausanne (CH)
- (72) Inventors: **Gabriel Djohar**, Munich (DE); **Gianni Ciotola**, Poing (DE)
- (73) Assignee: **Soundchip SA**, Bussigny-pres-Lausanne (CH)
- (\*\*) Term: **15 Years**
- (21) Appl. No.: **29/538,163**
- (22) Filed: **Sep. 1, 2015**

- D491,163 S \* 6/2004 Green ..... D14/205
- D512,708 S \* 12/2005 Harris, Jr. .... D14/205
- 6,993,143 B2 \* 1/2006 Harris ..... H04R 5/0335  
381/374
- D541,255 S \* 4/2007 Taylor ..... D14/205
- D563,382 S \* 3/2008 Wikel ..... D14/205
- 7,388,960 B2 \* 6/2008 Kuo ..... H04R 1/1041  
379/430
- D573,581 S \* 7/2008 Gondo ..... D14/205
- D576,604 S \* 9/2008 Suzuki ..... D14/205
- D581,394 S \* 11/2008 Lee ..... D14/205
- D588,100 S \* 3/2009 Densho ..... D14/205
- D593,995 S \* 6/2009 Shimizu ..... D14/205
- D594,847 S \* 6/2009 Suzuki ..... D14/205
- D603,370 S \* 11/2009 Suzuki ..... D14/205
- D616,865 S \* 6/2010 Marchand ..... D14/205
- D625,705 S \* 10/2010 Ohori ..... D14/205
- D637,579 S \* 5/2011 Hamaura ..... D14/205

(Continued)

- (30) **Foreign Application Priority Data**  
Mar. 3, 2015 (EM) ..... 002645234
- (51) **LOC (10) Cl.** ..... **14-01**
- (52) **U.S. Cl.**  
USPC ..... **D14/205**
- (58) **Field of Classification Search**  
USPC ..... D14/205, 188, 192; D29/112; 2/209;  
181/129, 130, 135; 379/430, 431;  
381/74, 378, 380, 381, 374; 455/90.1,  
455/575.1  
CPC .... H04R 1/1066; H04R 1/1016; H04R 5/033;  
H04R 5/0335; H04R 1/105; H04R 1/1008  
See application file for complete search history.

*Primary Examiner* — Paula Greene  
(74) *Attorney, Agent, or Firm* — Lempia Summerfield  
Katz LLC

(57) **CLAIM**

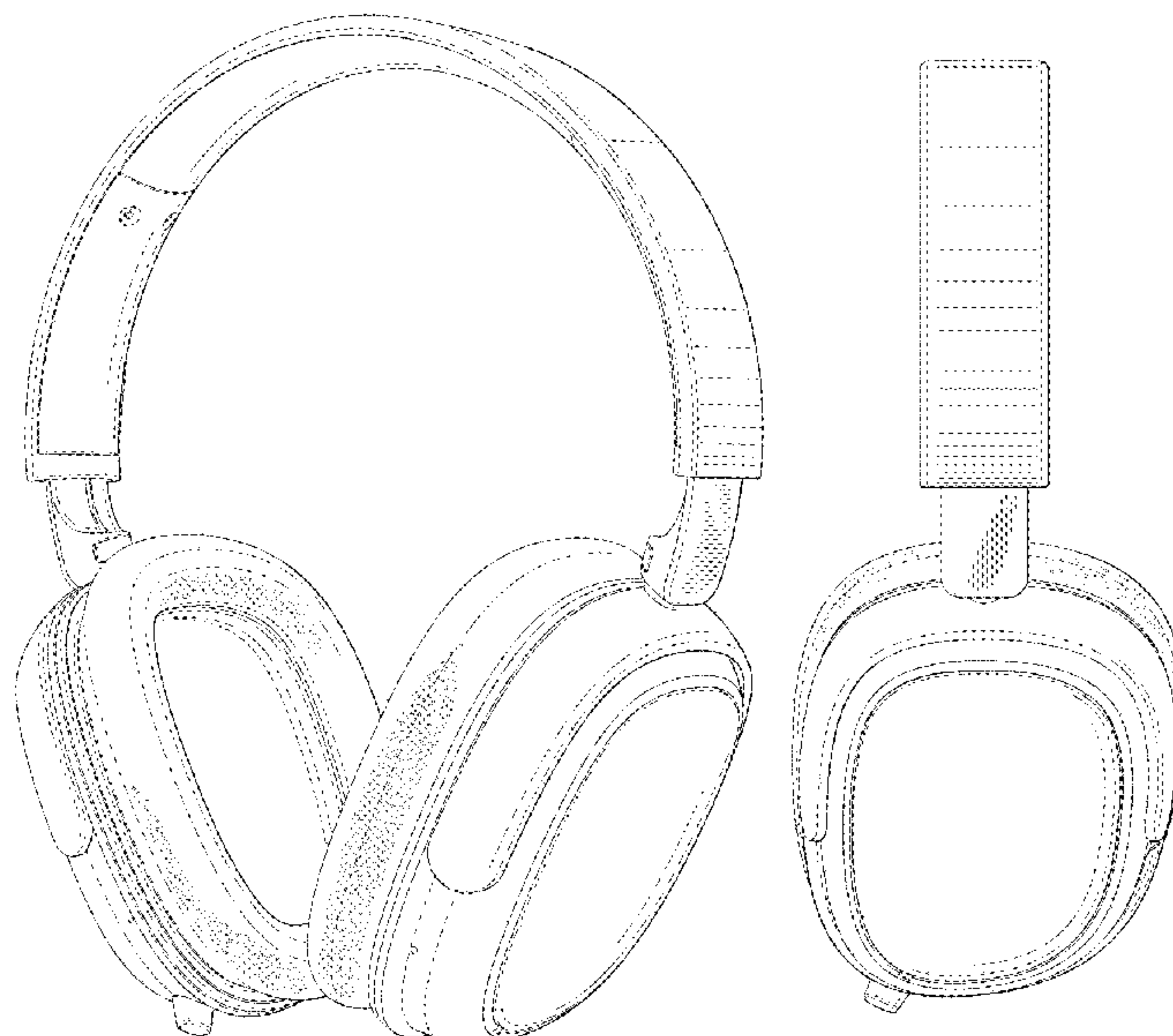
The ornamental design for headphone, as shown and described.

**DESCRIPTION**

FIG. 1 is a front and left side perspective view of our new design for headphone.  
FIG. 2 is a front view of the headphone shown in FIG. 1.  
FIG. 3 is a right side view of the headphone shown in FIG. 1.  
FIG. 4 is a left side view of the headphone shown in FIG. 1.  
FIG. 5 is a top view of the headphone shown in FIG. 1.  
FIG. 6 is a rear view of the headphone shown in FIG. 1; and,  
FIG. 7 is a bottom view of the headphone shown in FIG. 1.  
The broken lines form no part of the claimed design.

- (56) **References Cited**  
U.S. PATENT DOCUMENTS  
D328,074 S \* 7/1992 Yamazaki ..... D14/205  
D328,461 S \* 8/1992 Daido ..... D14/205  
D337,115 S \* 7/1993 Yamazaki ..... D14/205  
D353,817 S \* 12/1994 Wada ..... D14/205  
6,654,966 B2 \* 12/2003 Rolla ..... H04R 5/0335  
2/209

**1 Claim, 5 Drawing Sheets**



(56)

**References Cited**

U.S. PATENT DOCUMENTS

D662,080	S *	6/2012	Carr	.....	D14/205
8,737,668	B1 *	5/2014	Blair	.....	H04R 1/1066 381/378
D708,163	S *	7/2014	Ishikura	.....	D14/205
D716,256	S *	10/2014	Ang	.....	D14/205
D719,136	S *	12/2014	Schaal	.....	D14/205
D721,052	S *	1/2015	Carr	.....	D14/205
9,344,794	B1 *	5/2016	Blonder	.....	H04R 1/1066
D763,225	S *	8/2016	Bin	.....	D14/205
2009/0110226	A1 *	4/2009	Ishida	.....	H04R 1/1008 381/370
2010/0040252	A1 *	2/2010	Thompson	.....	H04R 1/083 381/375

\* cited by examiner

**FIG. 1**

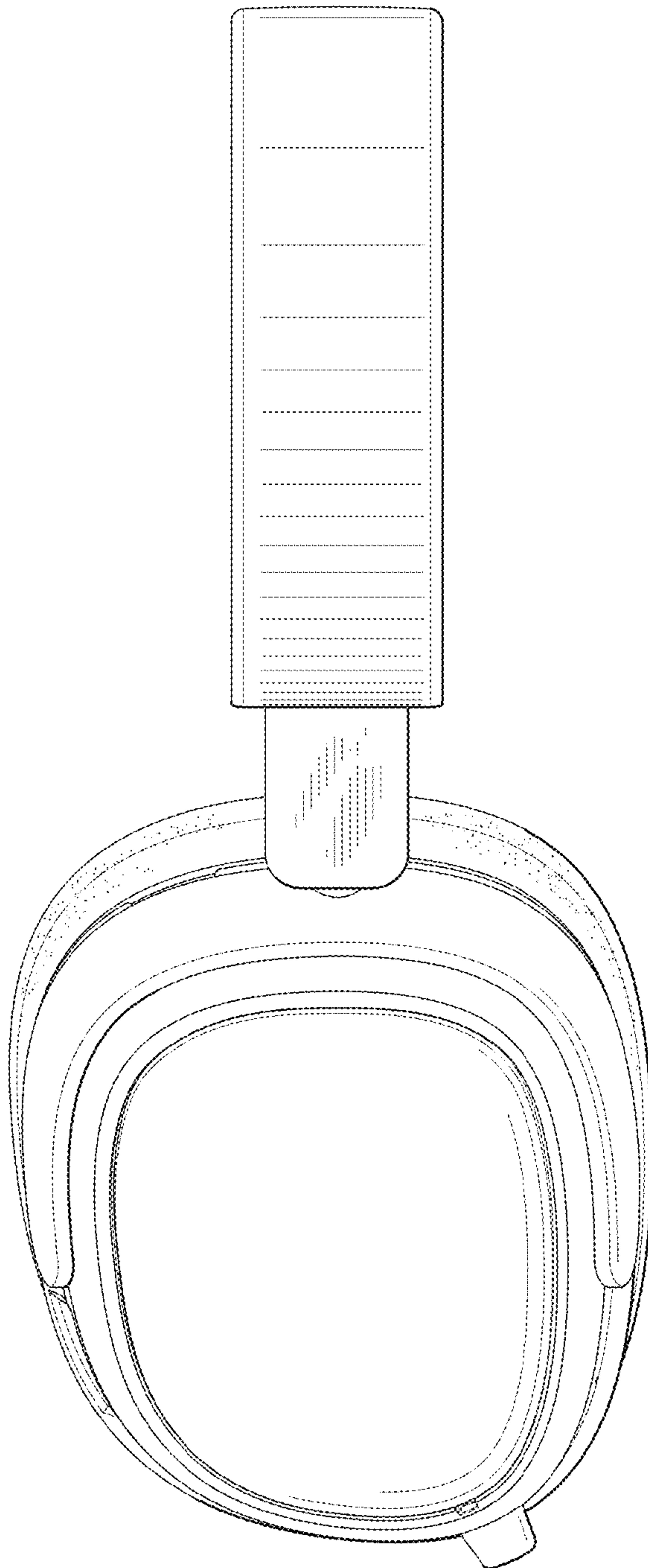




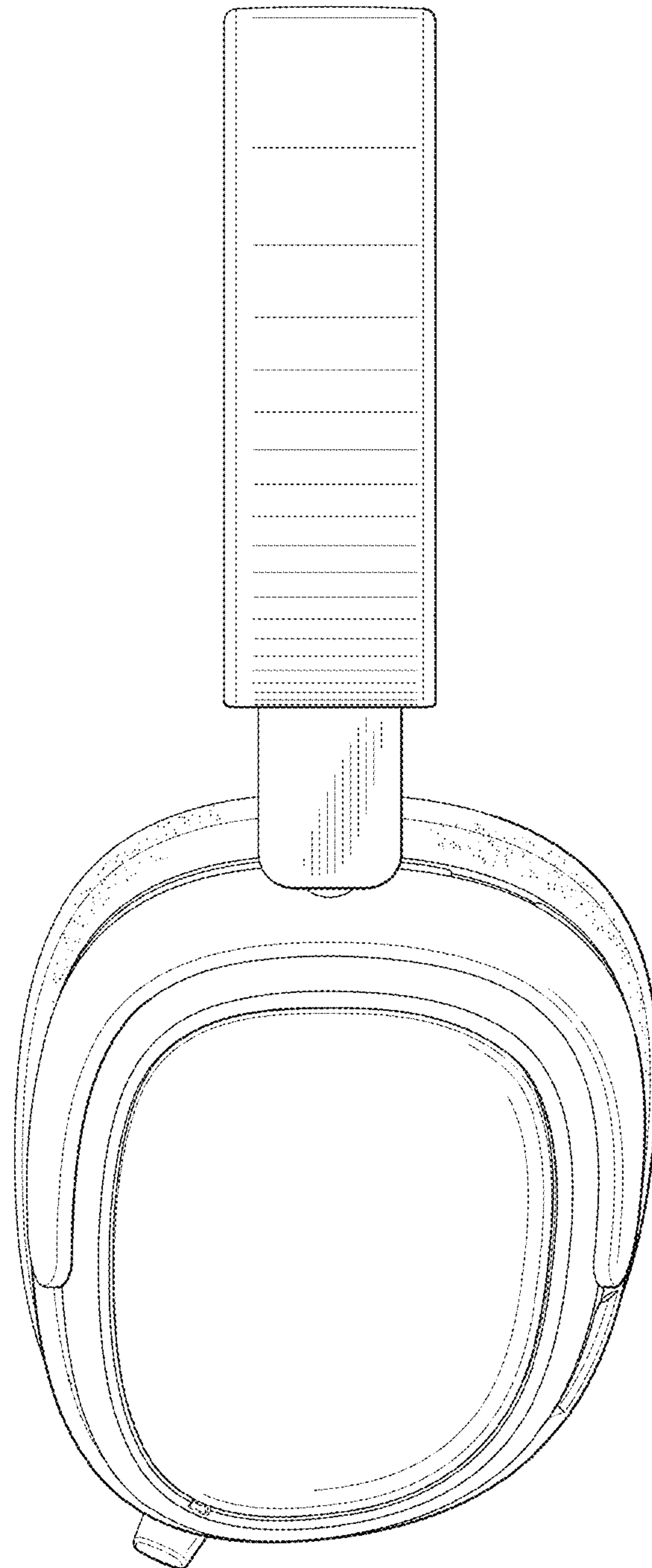
**FIG. 2**



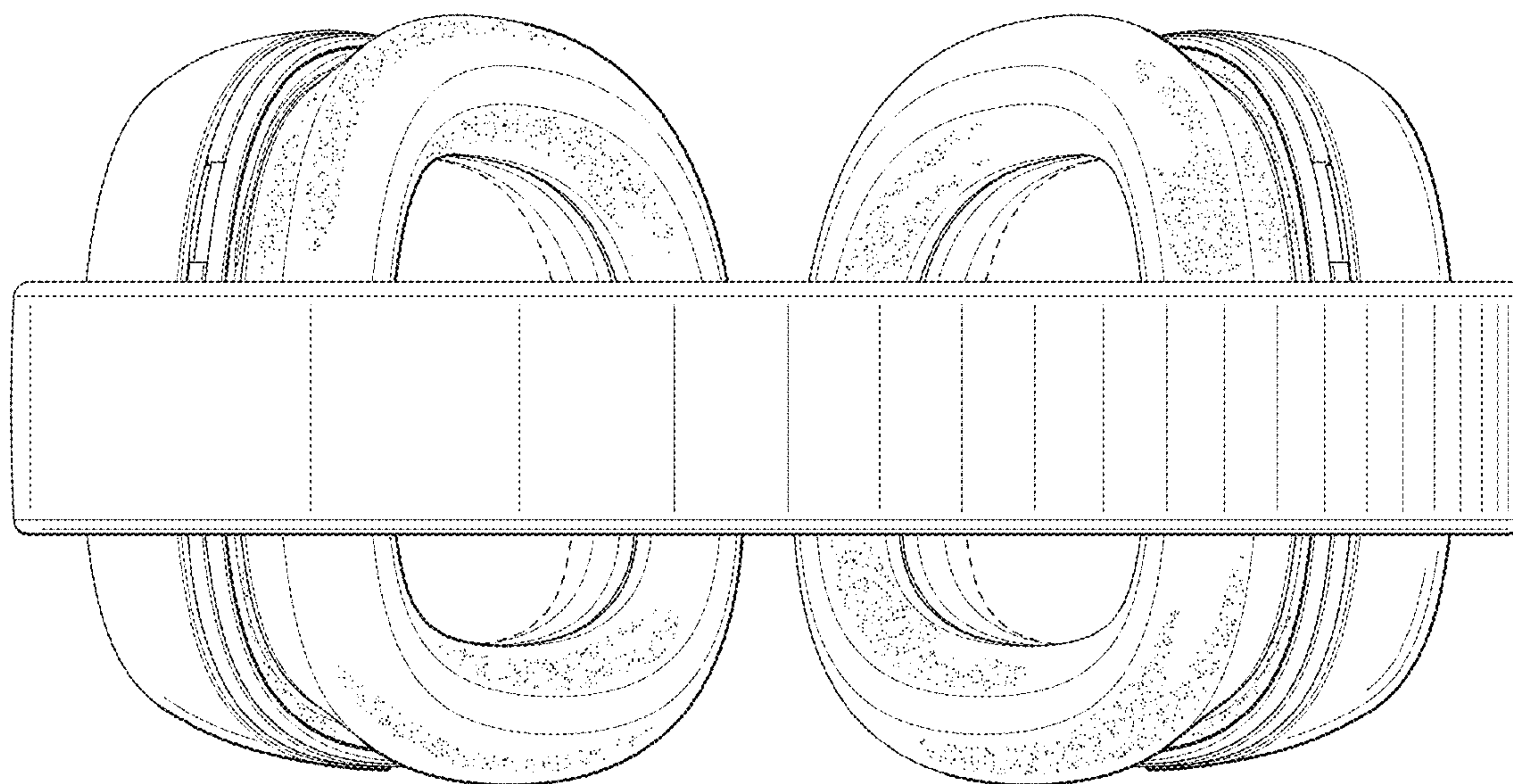
**FIG. 3**



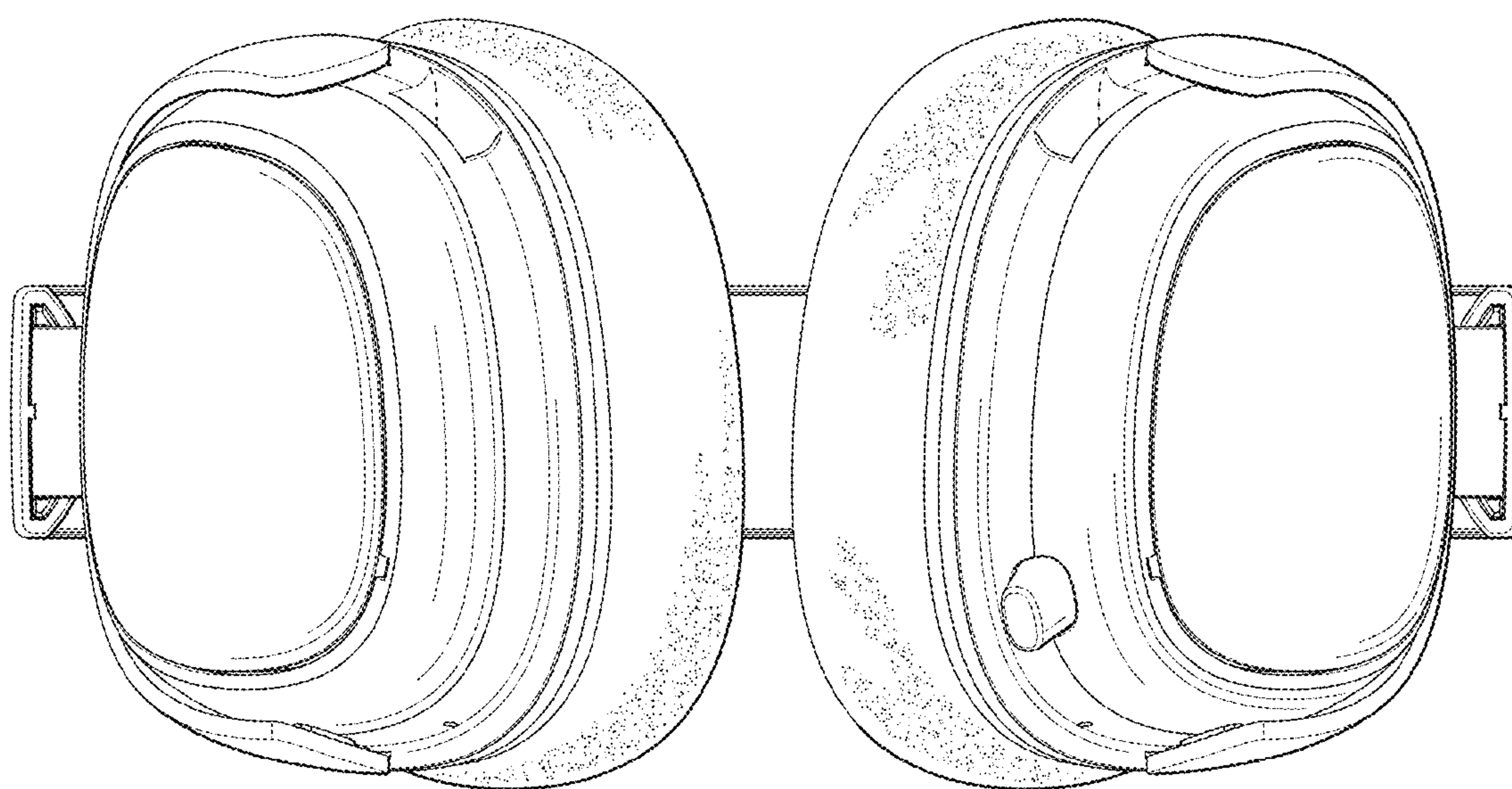
**FIG. 4**



**FIG. 5**



**FIG. 7**





**FIG. 6**

