



US00D787467S

(12) **United States Design Patent** (10) **Patent No.:** **US D787,467 S**
Xu (45) **Date of Patent:** **** May 23, 2017**

(54) **MOBILE TERMINAL**
(71) Applicant: **ZTE Corporation**, Shenzhen, Guangdong (CN)
(72) Inventor: **Wen Xu**, Shenzhen (CN)
(73) Assignee: **ZTE Corporation**, Shenzhen, Guangdong (CN)

D730,863 S * 6/2015 Yamagishi D14/138 G
D749,534 S * 2/2016 Liu D14/138 G
D749,538 S * 2/2016 Ishida D14/138 G
D749,551 S * 2/2016 Mitchell D14/248
D750,095 S * 2/2016 Jeong D14/345
D764,431 S * 8/2016 Hibi D14/138 G
D768,102 S * 10/2016 Lee D14/138 G
D770,433 S * 11/2016 Kangasmaa D14/248
D771,002 S * 11/2016 Kangasmaa D14/138 G
D771,004 S * 11/2016 Husgafvel D14/138 G

(**) Term: **15 Years**
(21) Appl. No.: **29/538,175**

FOREIGN PATENT DOCUMENTS

CN 303232726 S 6/2015

* cited by examiner

(22) Filed: **Sep. 1, 2015**
(51) **LOC (10) Cl.** **14-03**
(52) **U.S. Cl.**
USPC **D14/138 C**
(58) **Field of Classification Search**
USPC D14/138 C, 138, 138 R, 138 AA, 138 G,
D14/138 AD, 203.1, 203.3, 203.5, 203.6,
D14/203.7, 218, 248, 250, 315, 341, 342,
D14/343, 344, 345, 346, 347, 420, 426,
D14/496; D13/168
CPC .. G06F 1/1613; G06F 3/04883; G06F 3/0486;
G06F 3/04847; G06F 1/1647; G06F
3/04845; G06F 3/04817; A63H 33/3016;
H04M 1/0279; H04M 1/0281; H04M
1/0283
See application file for complete search history.

Primary Examiner — John Windmuller
Assistant Examiner — Benjamin Weeks
(74) *Attorney, Agent, or Firm* — Oppedahl Patent Law Firm LLC

(56) **References Cited**

U.S. PATENT DOCUMENTS

D646,250 S * 10/2011 Han D14/138 G
D665,766 S * 8/2012 Eguchi D14/138 G
D697,890 S * 1/2014 Choe D14/138 G
D703,179 S * 4/2014 Choe D14/138 G
D703,632 S * 4/2014 Lim D14/138 G
D717,263 S * 11/2014 Wozniak D14/138 G
D729,189 S * 5/2015 Kangasmaa D14/138 G
D730,859 S * 6/2015 Kaneta D14/138 G

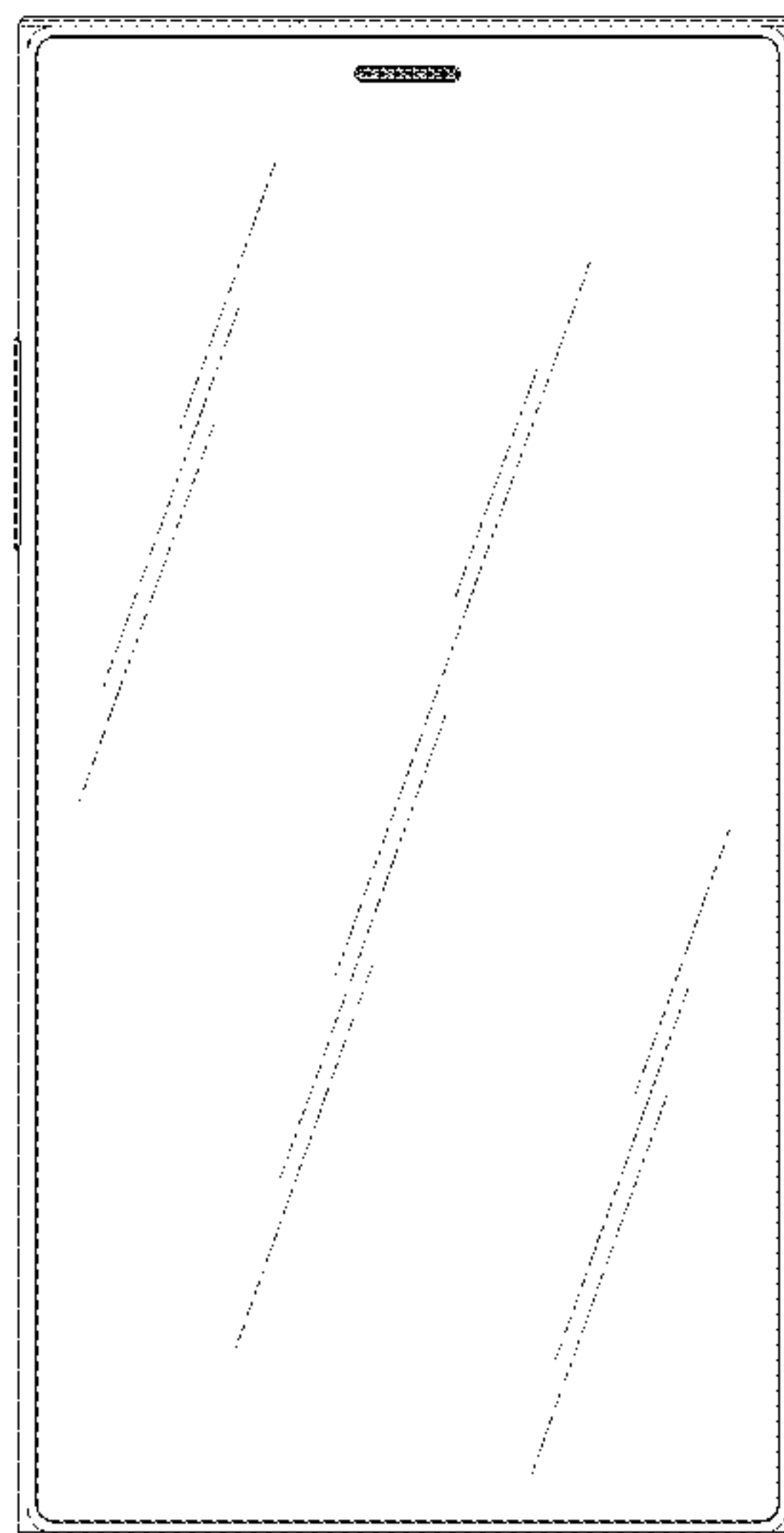
(57) **CLAIM**

The ornamental design for the mobile terminal, as shown and described.

DESCRIPTION

FIG. 1 is a front view of our new design for a mobile terminal.
FIG. 2 is a rear view of our new design for a mobile terminal.
FIG. 3 is a left side view of our new design for a mobile terminal.
FIG. 4 is a right side view of our new design for a mobile terminal.
FIG. 5 is a top view of our new design for a mobile terminal.
FIG. 6 is a bottom view of our new design for a mobile terminal.
FIG. 7 is a perspective view of our new design for a mobile terminal; and,
FIG. 8 is a second perspective view of our new design for a mobile terminal.

1 Claim, 8 Drawing Sheets



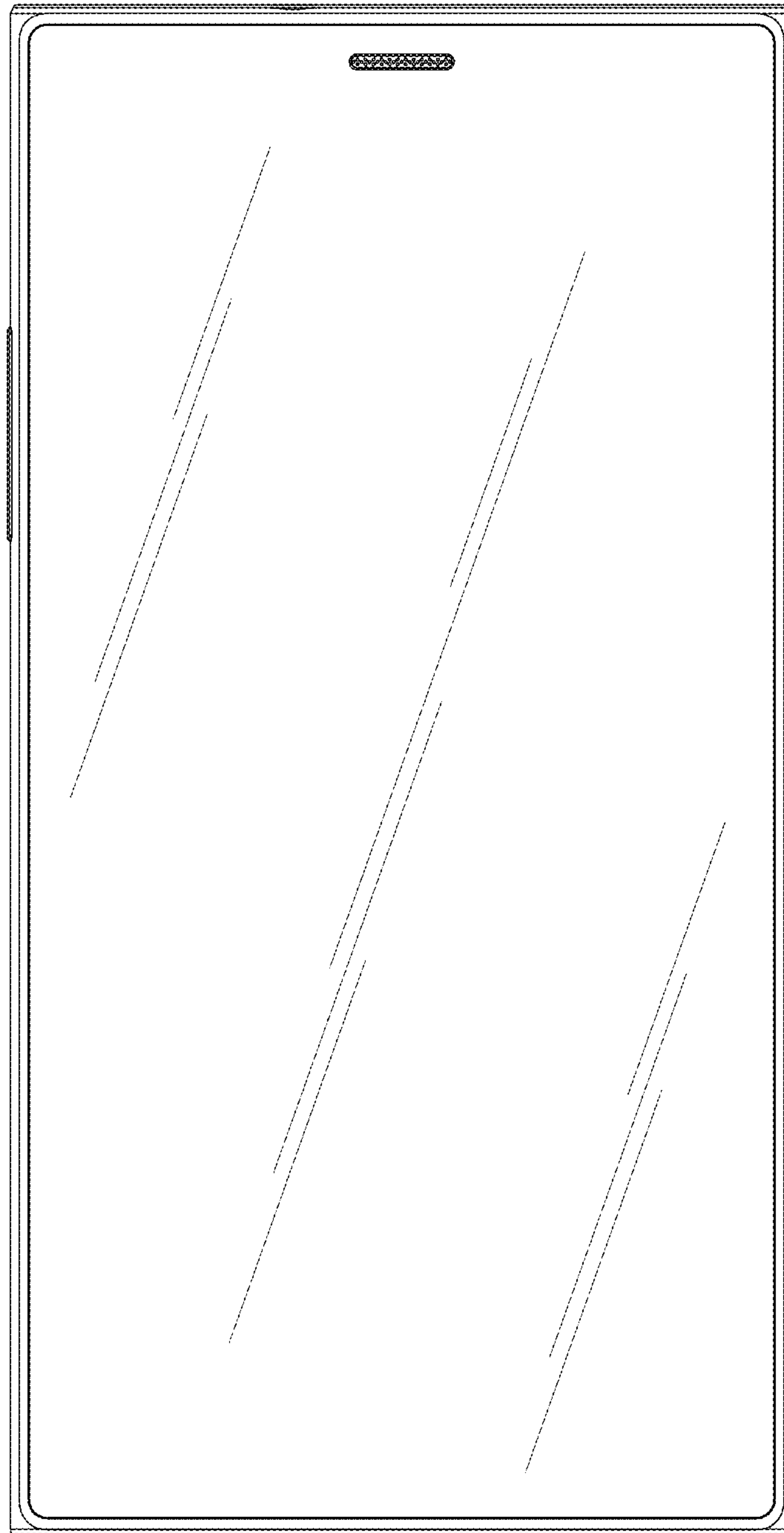


Fig.1

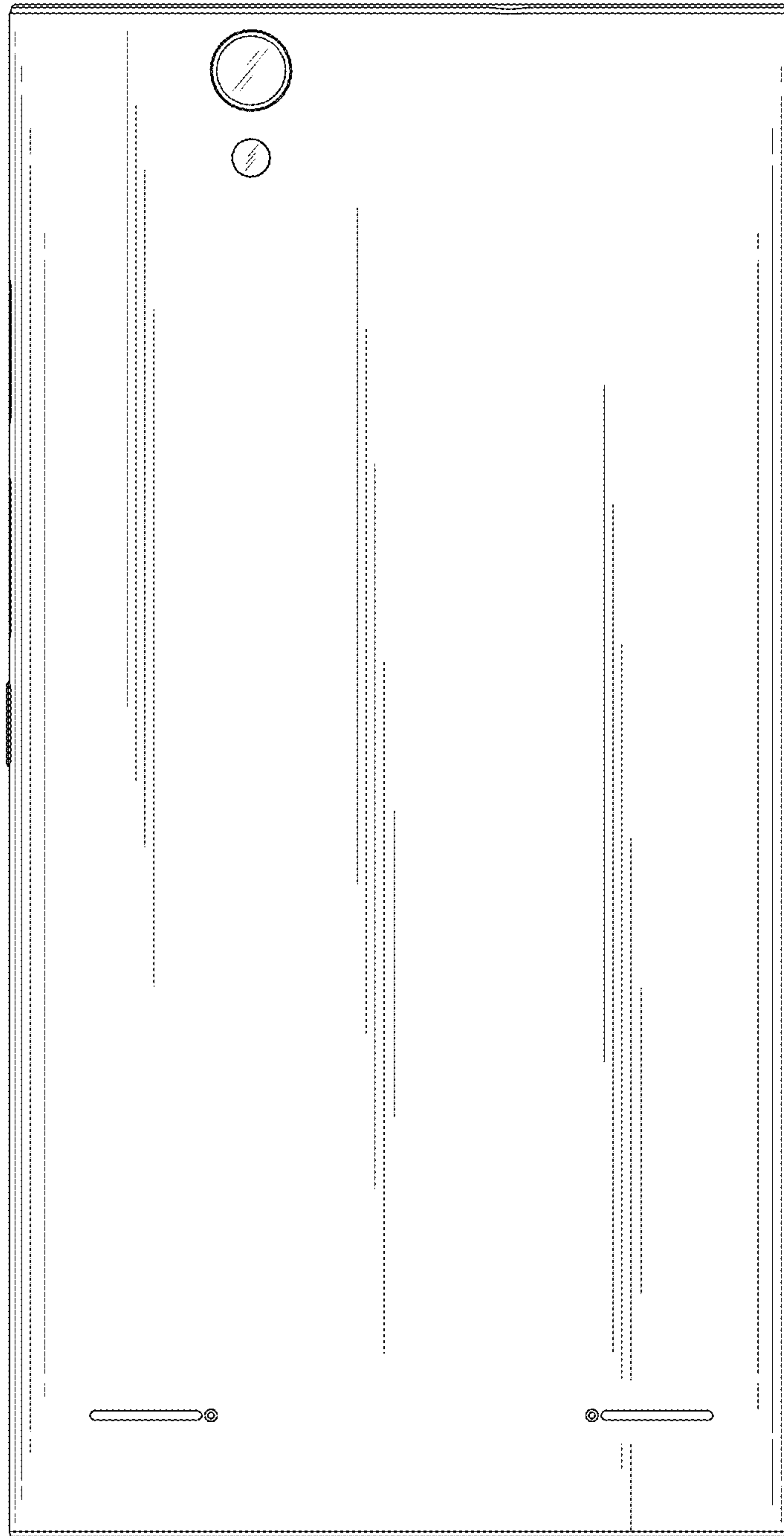


Fig.2

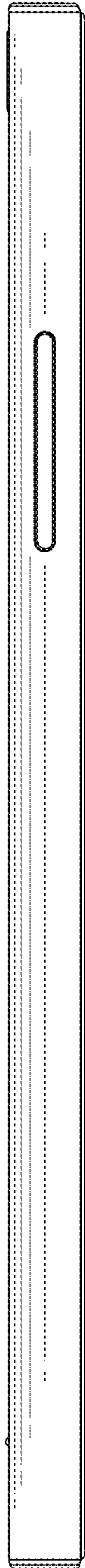


Fig.3

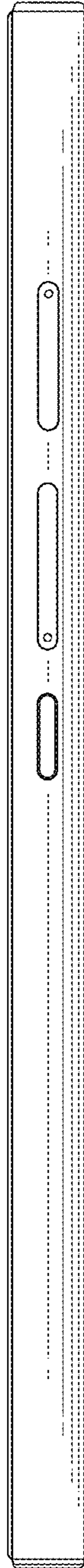


Fig.4

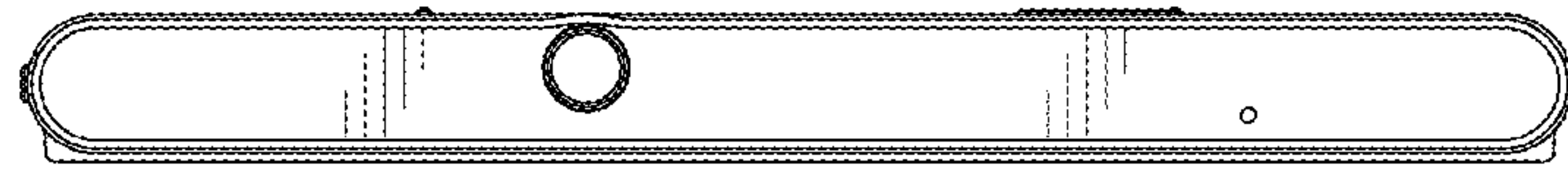


Fig.5

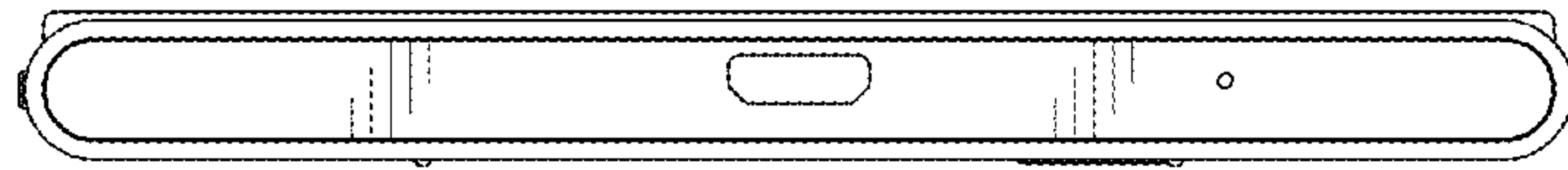


Fig.6

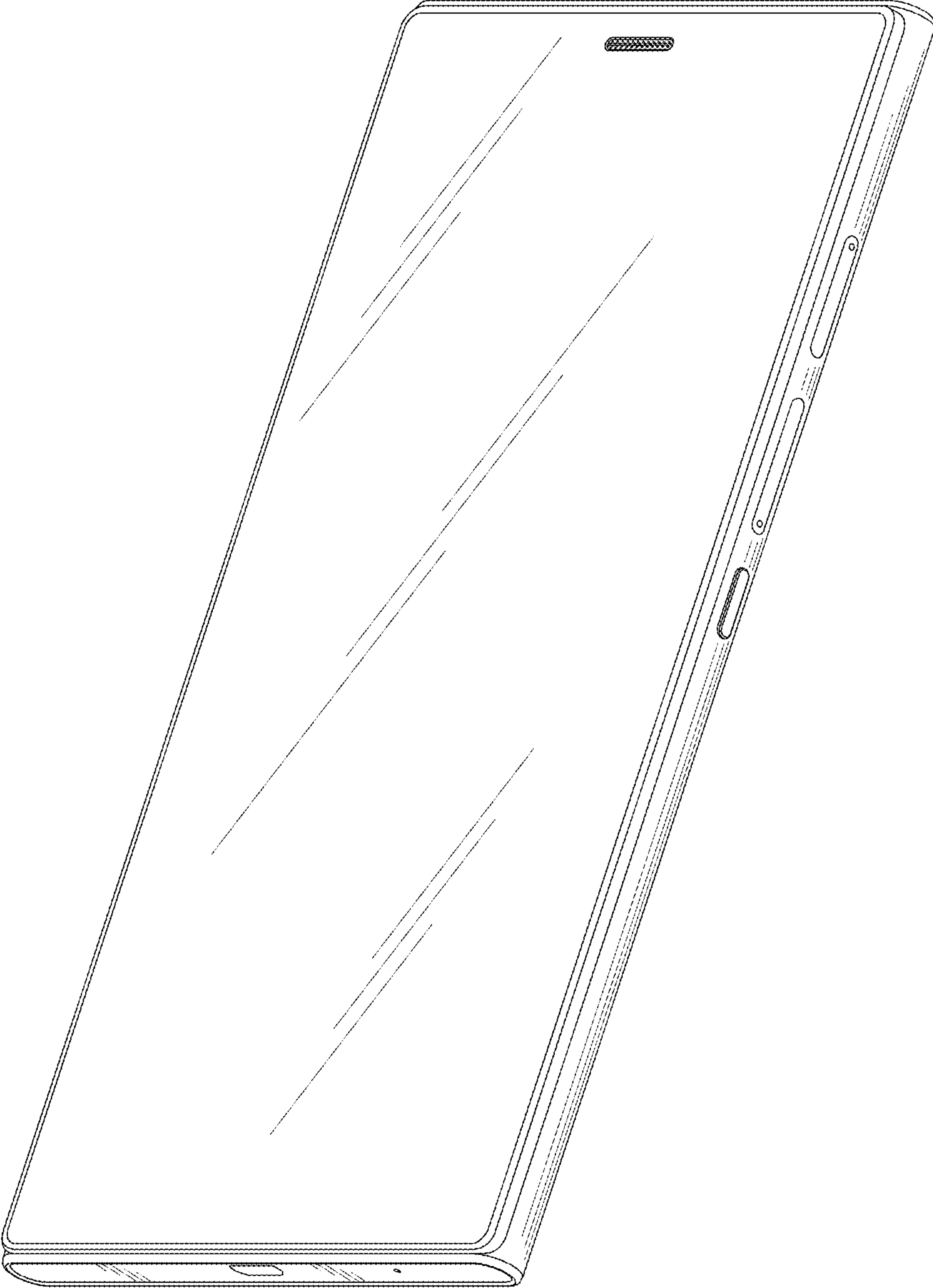


Fig.7

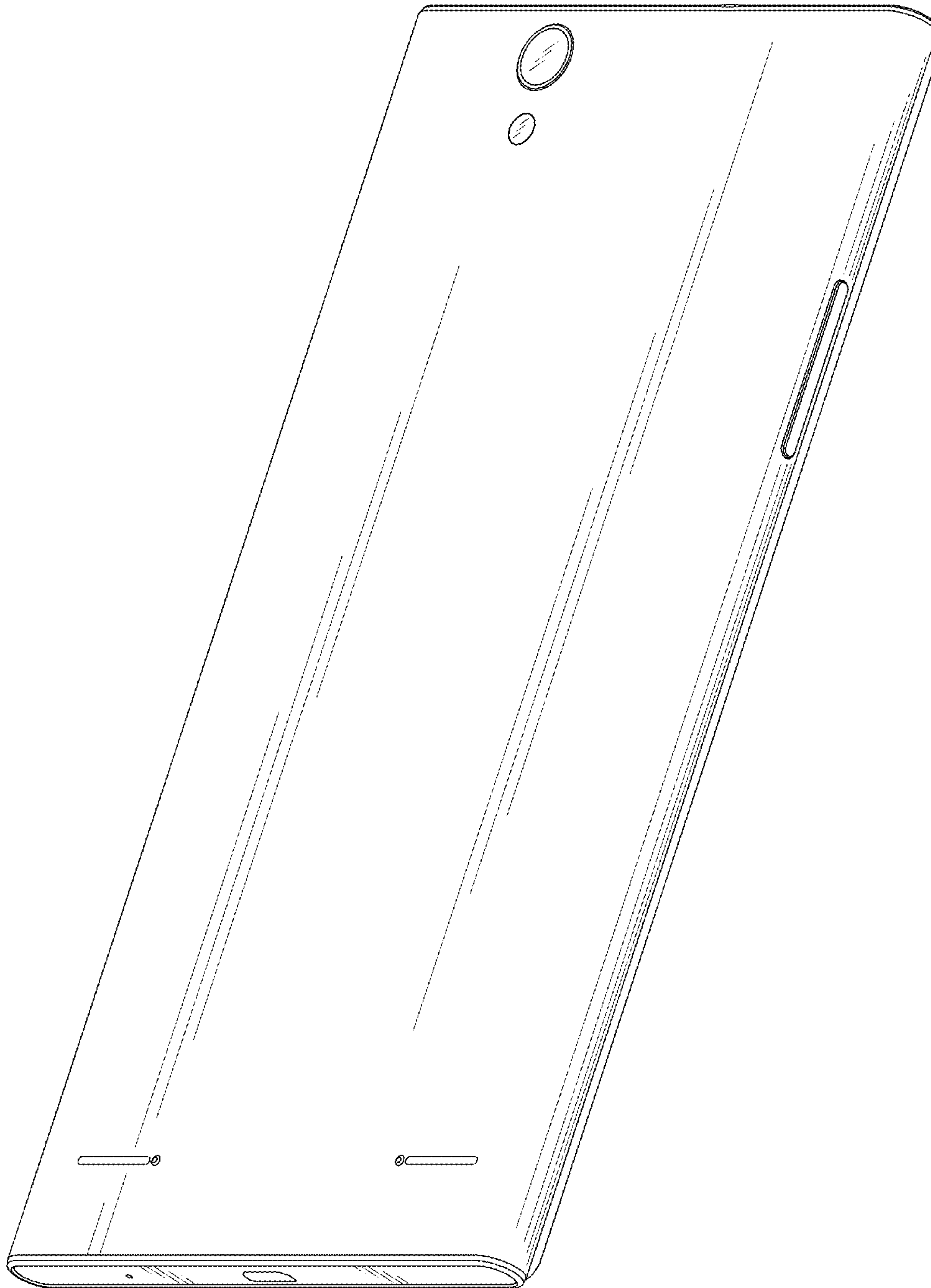


Fig.8