



US00D787460S

(12) **United States Design Patent** (10) **Patent No.:** **US D787,460 S**
Finona (45) **Date of Patent:** **** May 23, 2017**

(54) **TERMINAL POSITION ASSURANCE COVER**

D463,378 S * 9/2002 Allada D13/159
D684,931 S * 6/2013 Lin D13/147
D730,293 S * 5/2015 Wu D13/147

(71) Applicant: **ITT MANUFACTURING ENTERPRISES, LLC**, Wilmington, DE (US)

* cited by examiner

(72) Inventor: **Michael Finona**, Fountain Valley, CA (US)

Primary Examiner — Lakiya Rogers

Assistant Examiner — Harold Blackwell, II

(73) Assignee: **ITT MANUFACTURING ENTERPRISES, LLC**, Wilmington, DE (US)

(74) *Attorney, Agent, or Firm* — Knobbe, Martens, Olson & Bear LLP

(**) Term: **14 Years**

(57) **CLAIM**

(21) Appl. No.: **29/523,714**

The ornamental design for a terminal position assurance cover, as shown and described.

(22) Filed: **Apr. 13, 2015**

(51) **LOC (10) Cl.** **13-99**

(52) **U.S. Cl.**
USPC **D13/184**

DESCRIPTION

(58) **Field of Classification Search**
USPC D13/110, 118, 123, 133, 146, 147, 149, D13/152, 153, 158-161, 173, 184, 199
CPC H02B 1/063; H02B 1/066
See application file for complete search history.

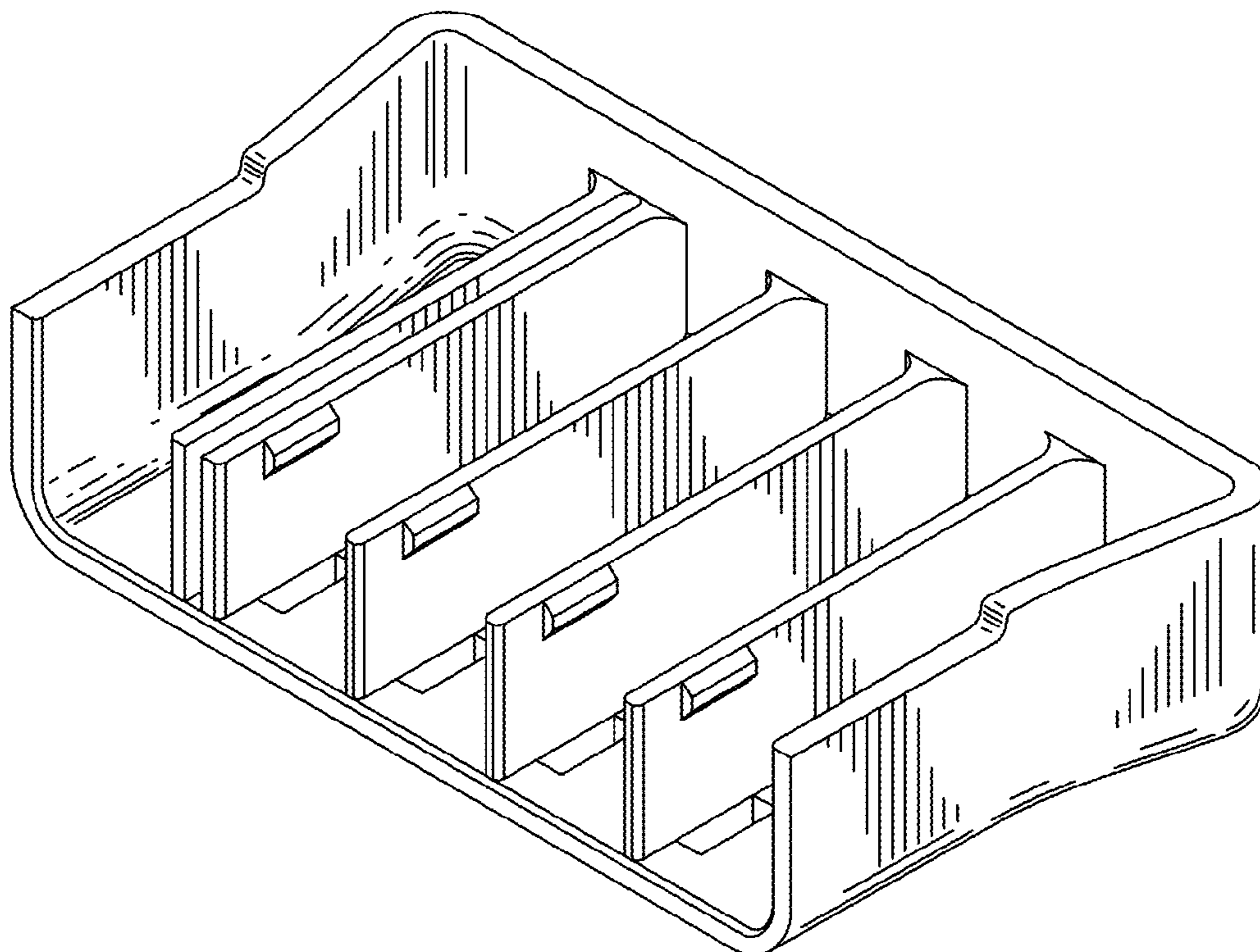
FIG. 1 is a perspective view of a terminal position assurance cover showing the new design;
FIG. 2 is a front view thereof;
FIG. 3 is a bottom view thereof;
FIG. 4 is a top view thereof;
FIG. 5 is a side view thereof, the sides being symmetric; and,
FIG. 6 is rear view thereof.

(56) **References Cited**

U.S. PATENT DOCUMENTS

D326,644 S * 6/1992 Moriai D13/147
6,027,374 A * 2/2000 Nagai H01R 13/4361
439/596

1 Claim, 3 Drawing Sheets



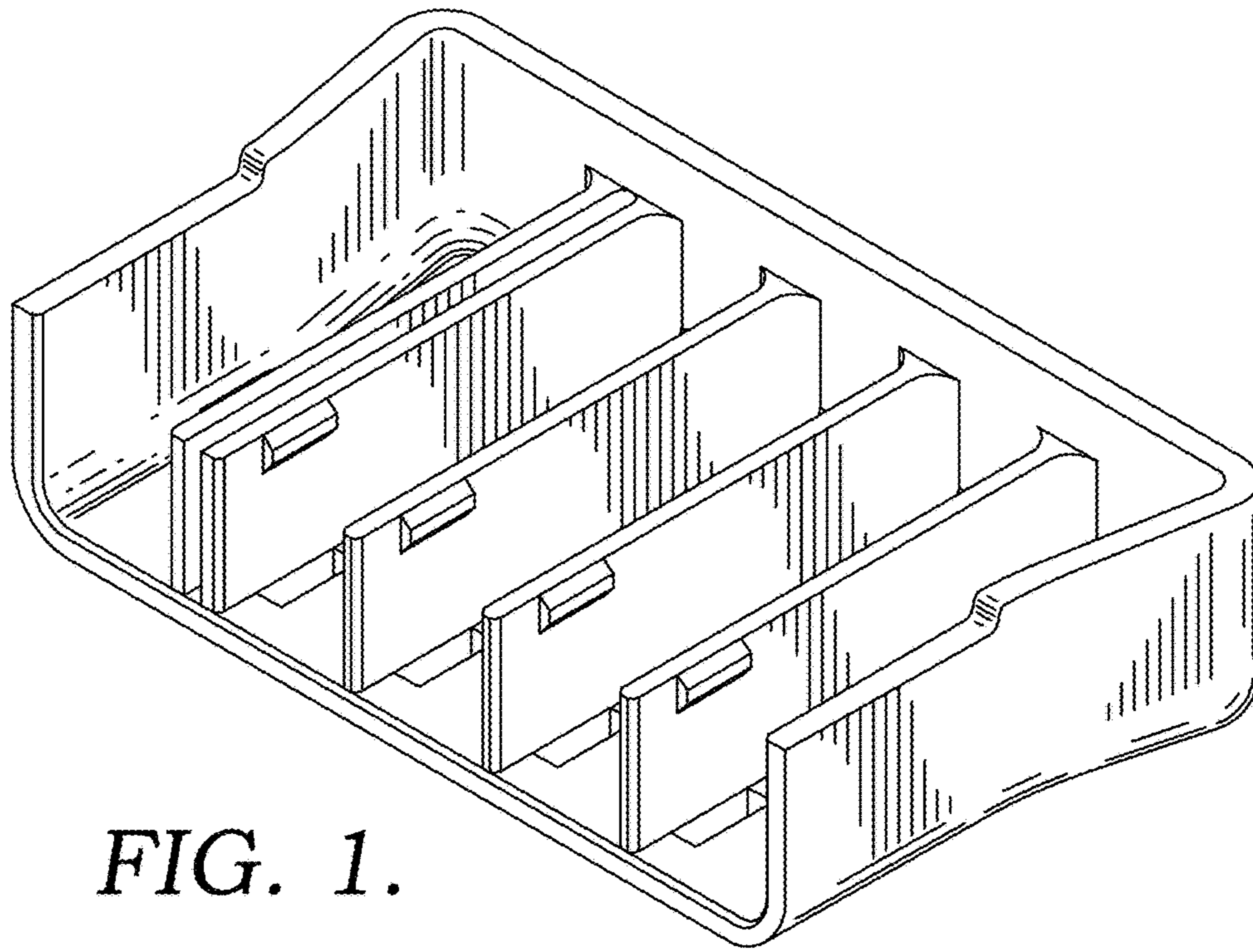


FIG. 1.

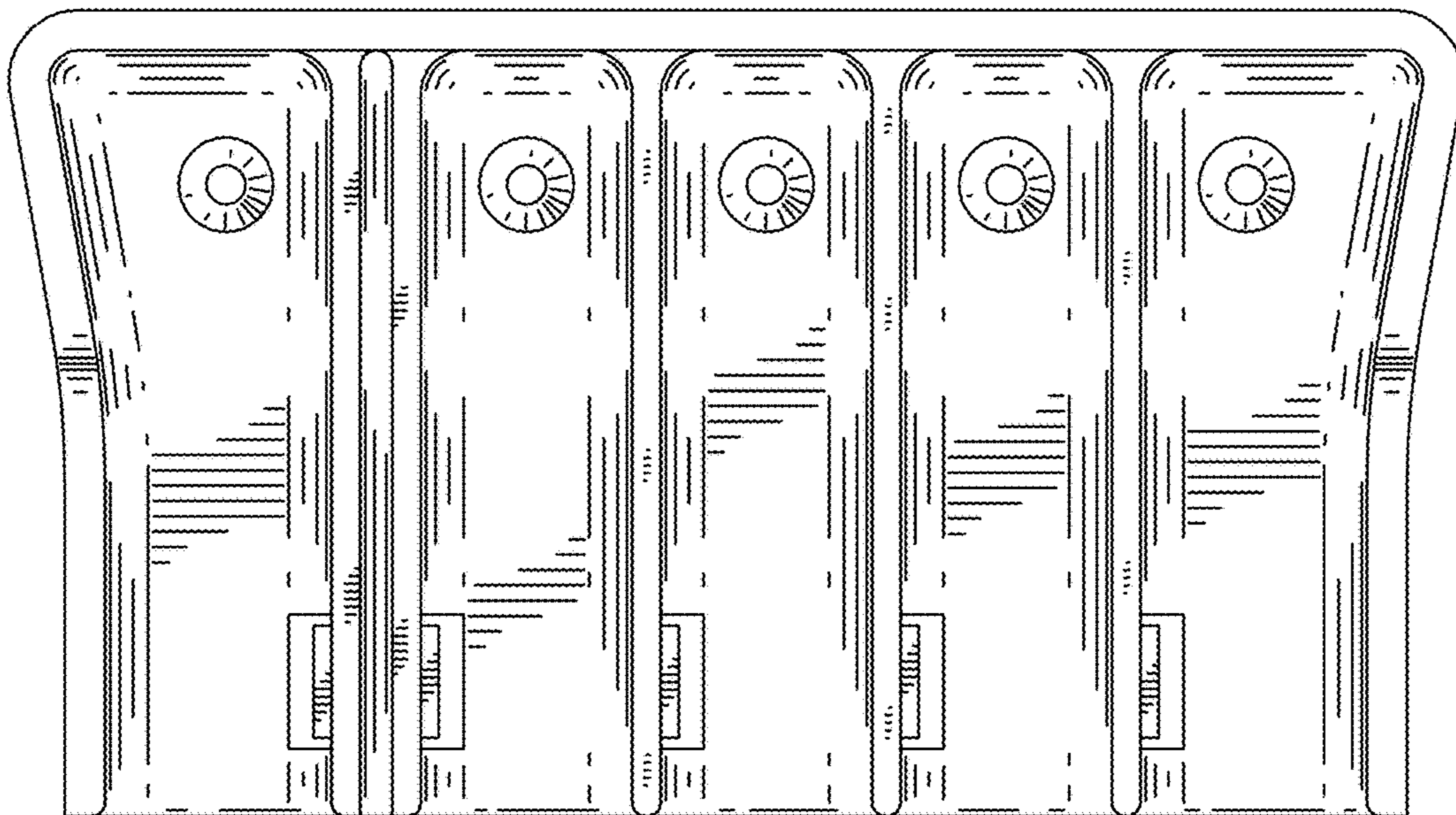


FIG. 2.

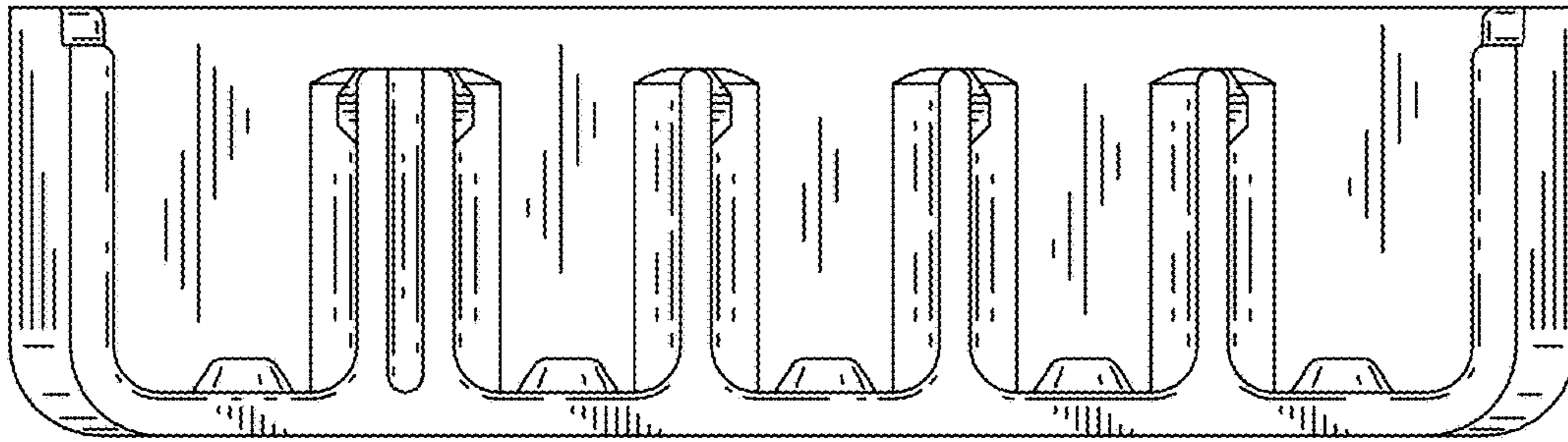


FIG. 3.

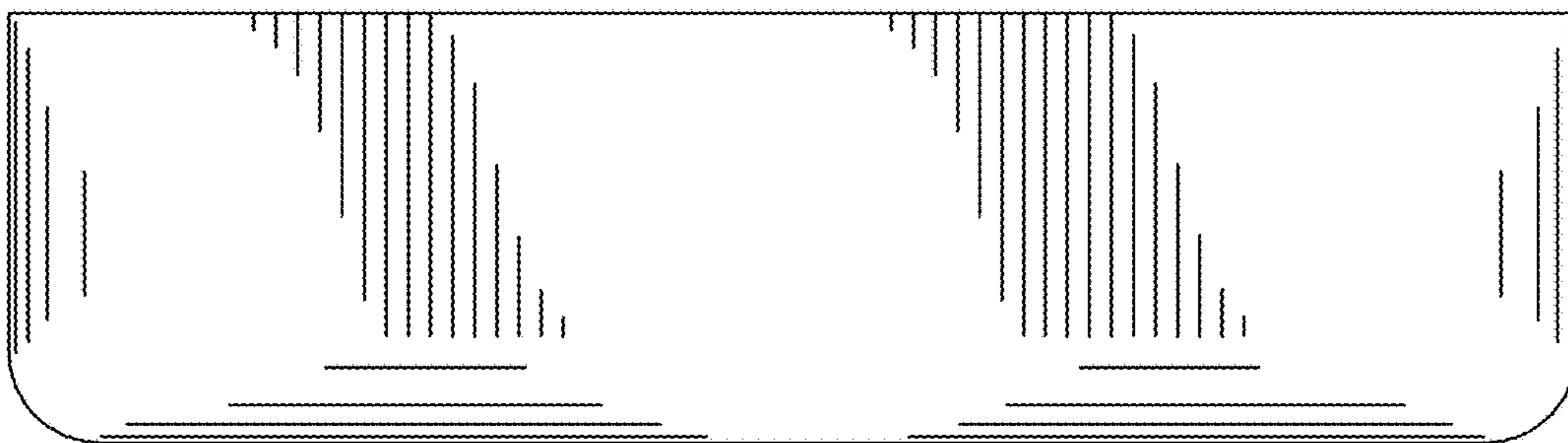


FIG. 4.

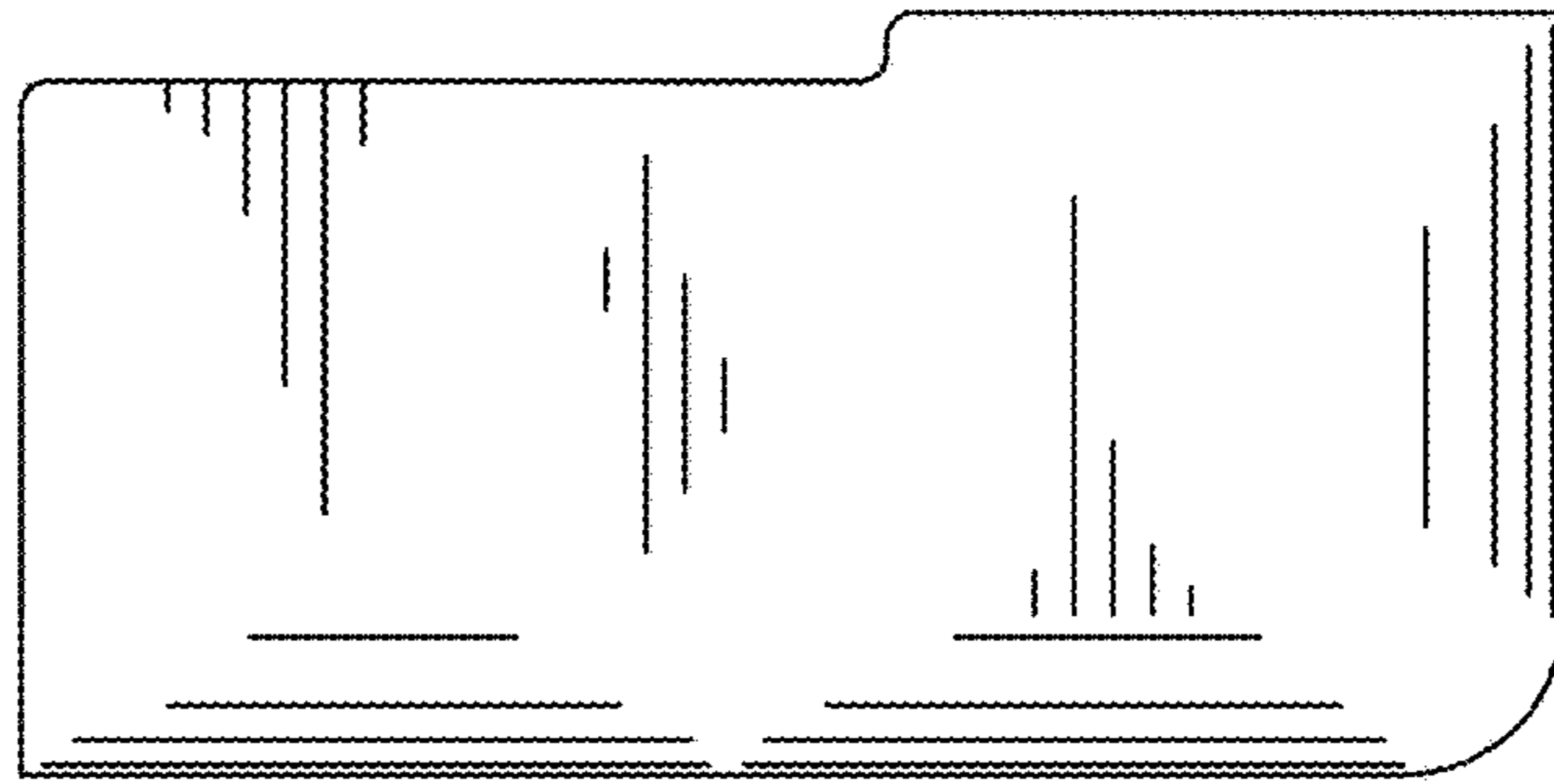


FIG. 5.

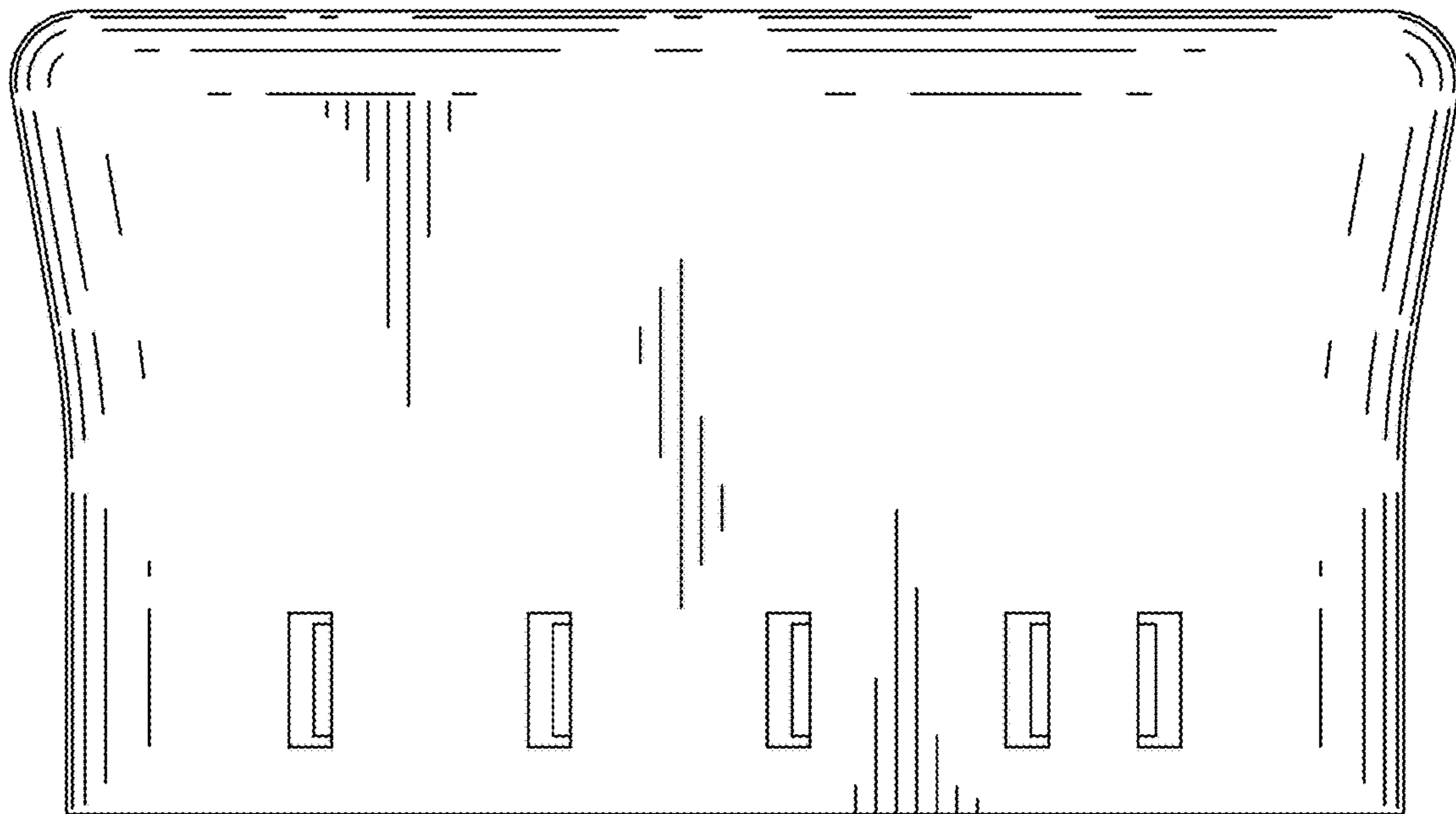


FIG. 6.