



US00D787459S

(12) **United States Design Patent**
Lankford

(10) **Patent No.:** **US D787,459 S**

(45) **Date of Patent:** **** May 23, 2017**

- (54) **TRIANGULAR ENCLOSURE**
- (71) Applicant: **P. MARK LANKFORD LLC**, Tyler, TX (US)
- (72) Inventor: **P. Mark Lankford**, Tyler, TX (US)
- (73) Assignee: **P. Mark Lankford LLC**, Tyler, TX (US)
- (**) Term: **14 Years**
- (21) Appl. No.: **29/490,909**
- (22) Filed: **May 15, 2014**
- (51) **LOC (10) Cl.** **13-99**
- (52) **U.S. Cl.**
USPC **D13/184**
- (58) **Field of Classification Search**
USPC D6/403; 47/45; D8/1; D13/184;
D25/23, 38.1, 39, 42.3; D21/834;
248/351
CPC E01F 13/00; E01F 13/02; E01F 9/688
See application file for complete search history.

- 8,215,055 B2 * 7/2012 Miller A01G 1/08
47/31
- 9,107,387 B1 * 8/2015 Pavlik A01K 1/034
- 2004/0112550 A1 * 6/2004 Green E01F 13/022
160/135
- 2005/0144839 A1 * 7/2005 Morgan A01G 9/12
47/45

* cited by examiner

Primary Examiner — Lakiya Rogers
Assistant Examiner — Harold Blackwell, II
(74) *Attorney, Agent, or Firm* — Smith IP Services, P.C.

(57) **CLAIM**

The applicant claims the ornamental design for the triangular enclosure, as shown.

DESCRIPTION

FIG. 1 shows a perspective view of a triangular enclosure of the new design for an enclosure, the triangular enclosure being depicted in an extended configuration.

FIG. 2 shows a front elevational view of the triangular enclosure.

FIG. 3 shows a rear elevational view of the triangular enclosure.

FIG. 4 shows top view of the triangular enclosure.

FIG. 5 shows a bottom view of the triangular enclosure.

FIG. 6 shows a left side elevational view of the triangular enclosure.

FIG. 7 shows a right side elevational view of the triangular enclosure; and,

FIG. 8 shows a perspective view of the triangular enclosure in a retracted configuration.

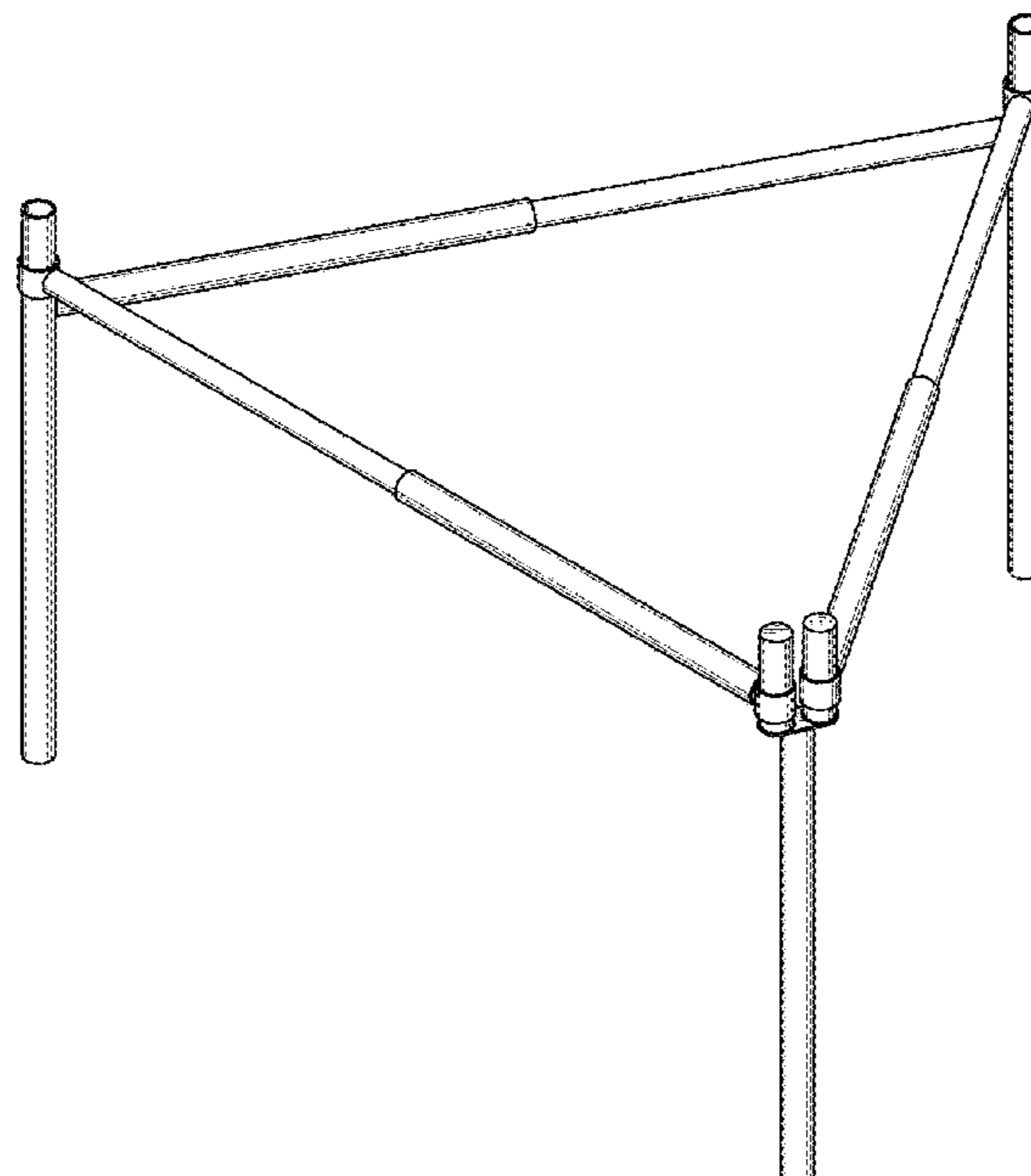
The enclosure is a protective enclosure, intended for use around equipment and other structures one wishes to protect from damage.

(56) **References Cited**

U.S. PATENT DOCUMENTS

- 5,865,355 A * 2/1999 Camara A45F 4/04
135/143
- D411,722 S * 6/1999 Grimes D8/1
- 5,937,883 A * 8/1999 Camara E04H 15/003
135/114
- 6,092,792 A * 7/2000 Camara E04H 15/003
135/87
- D466,765 S * 12/2002 Barbi D6/403
- D615,831 S * 5/2010 Whitney D8/1
- D658,045 S * 4/2012 Tabler D8/382

1 Claim, 8 Drawing Sheets



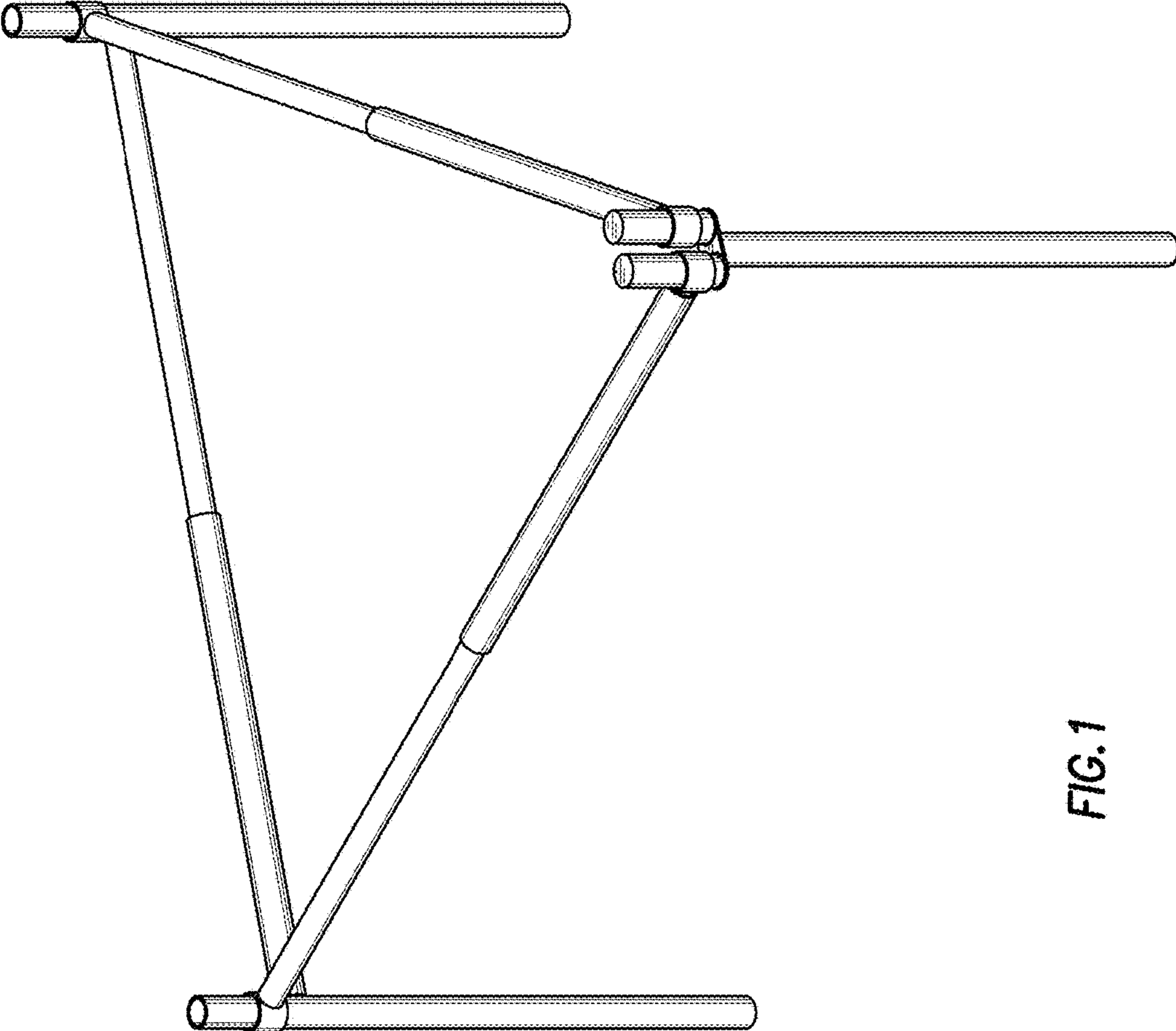


FIG.1

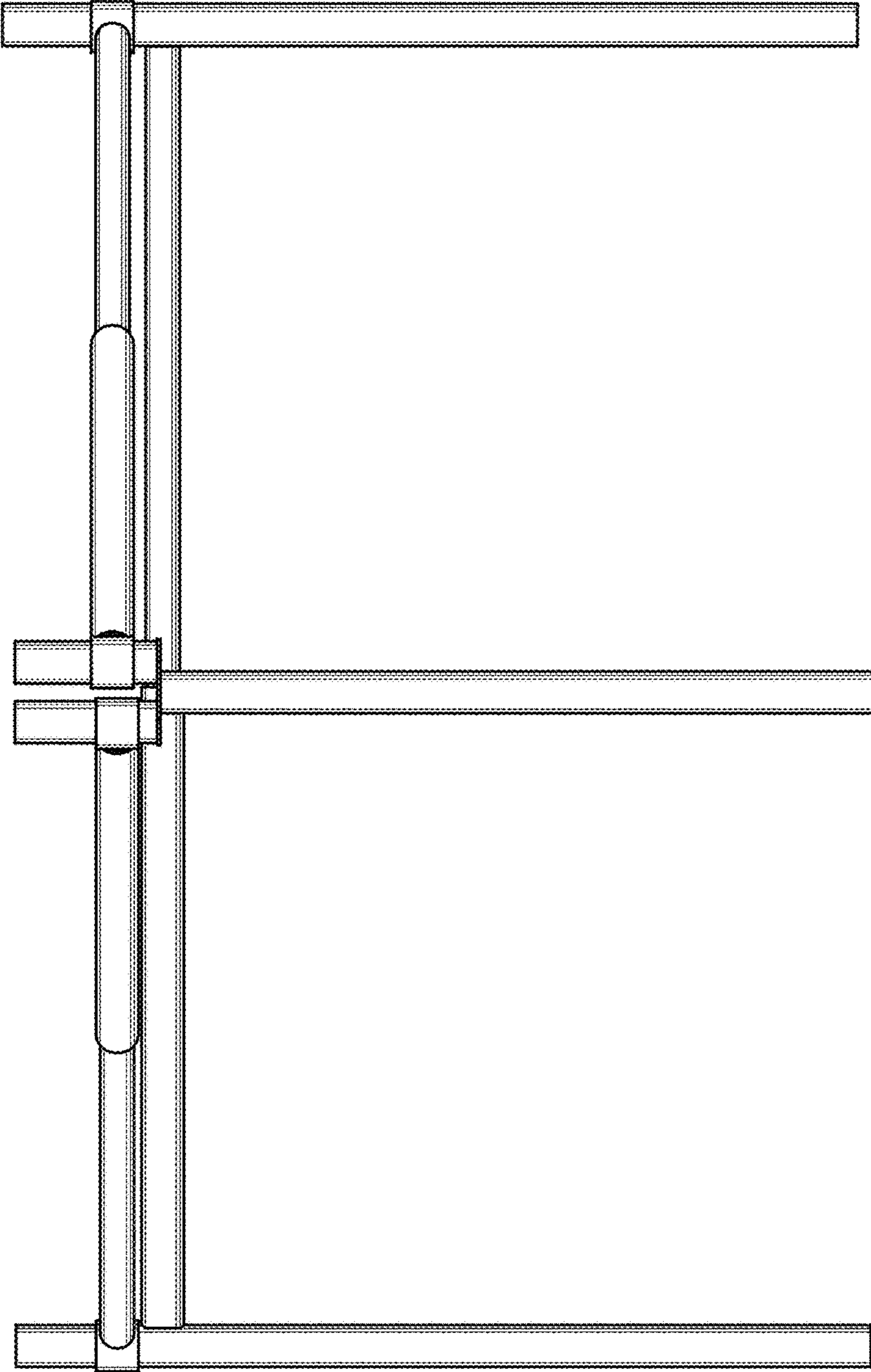


FIG.2

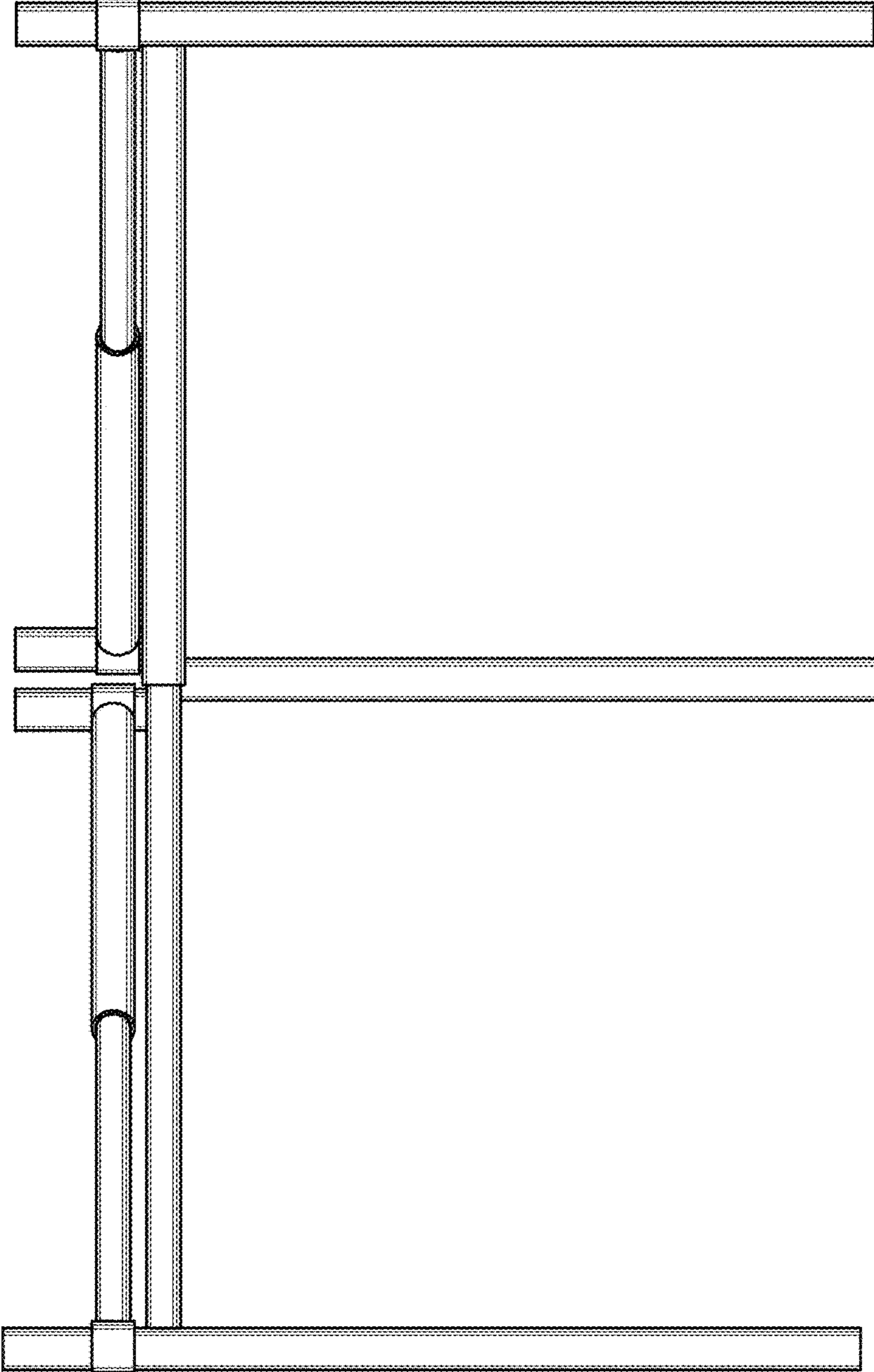


FIG.3

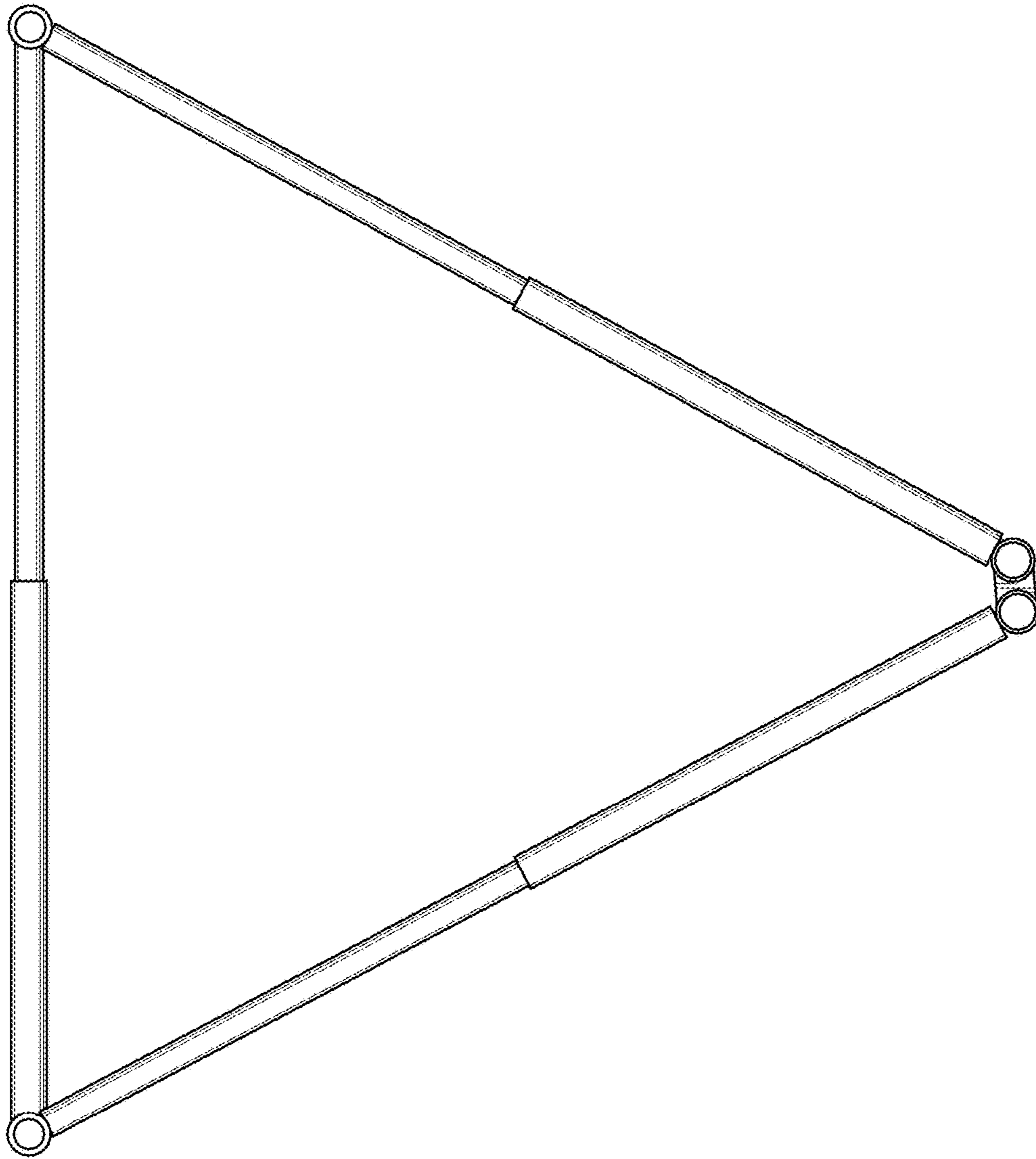


FIG. 4

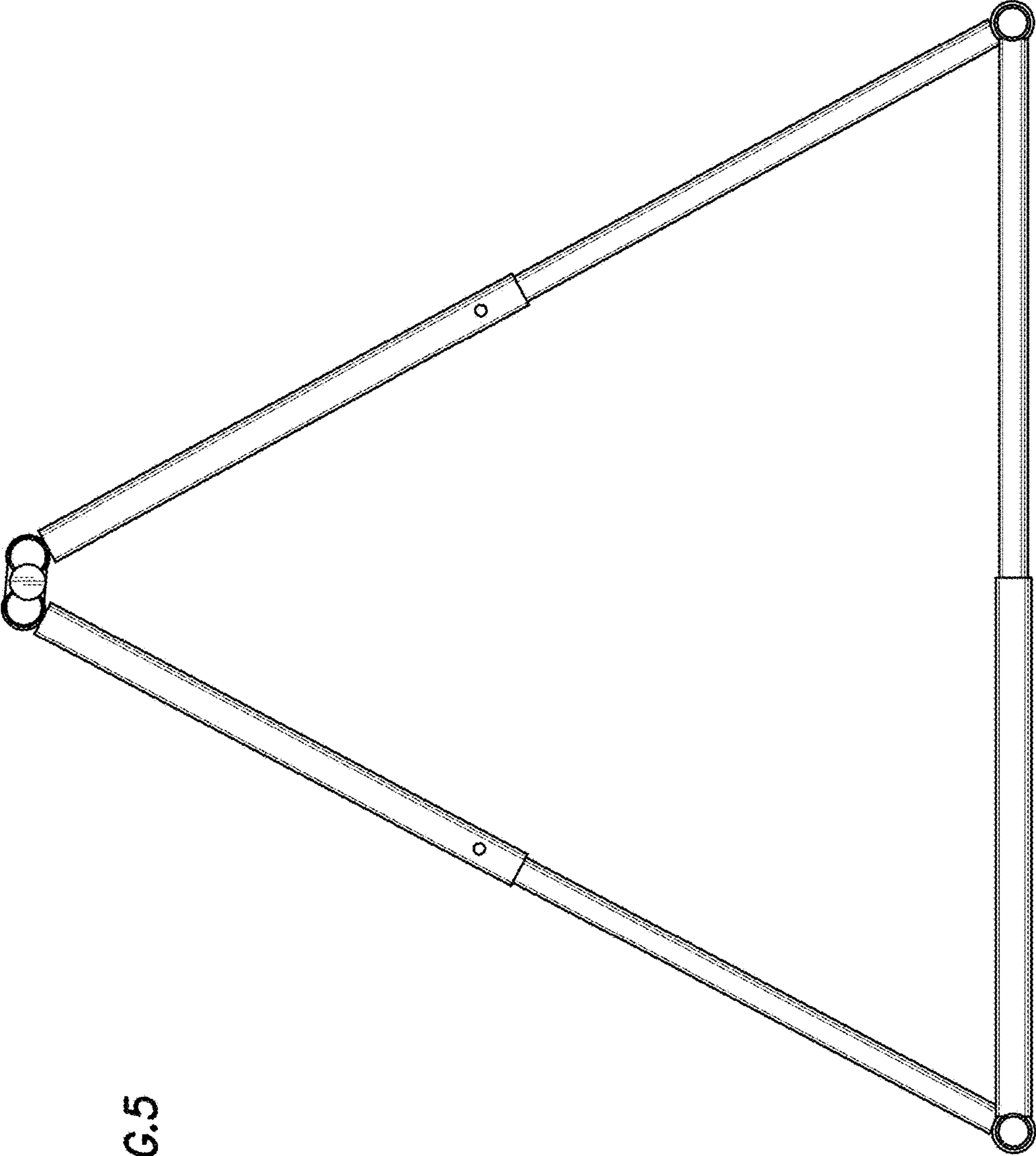


FIG.5

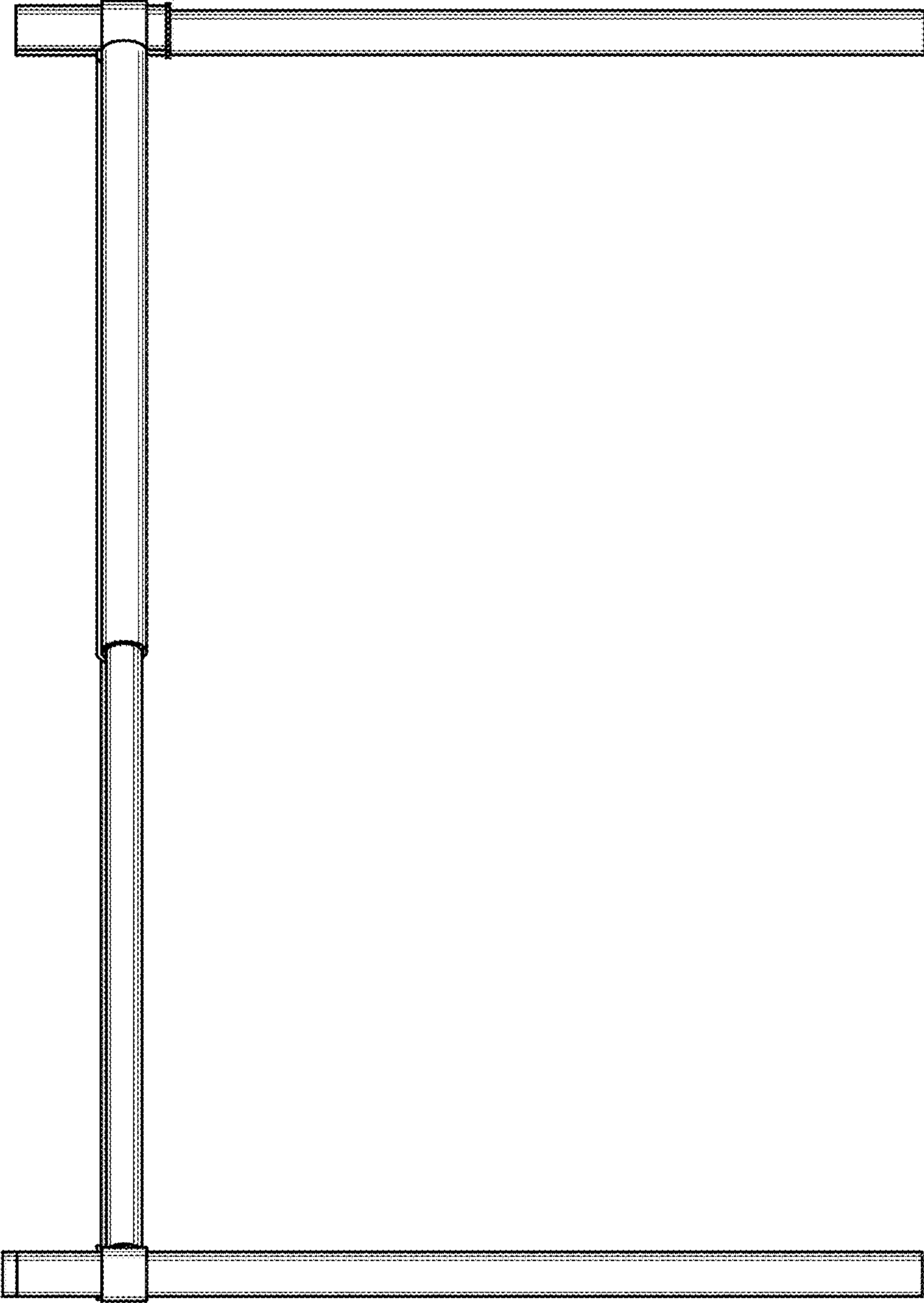


FIG. 6

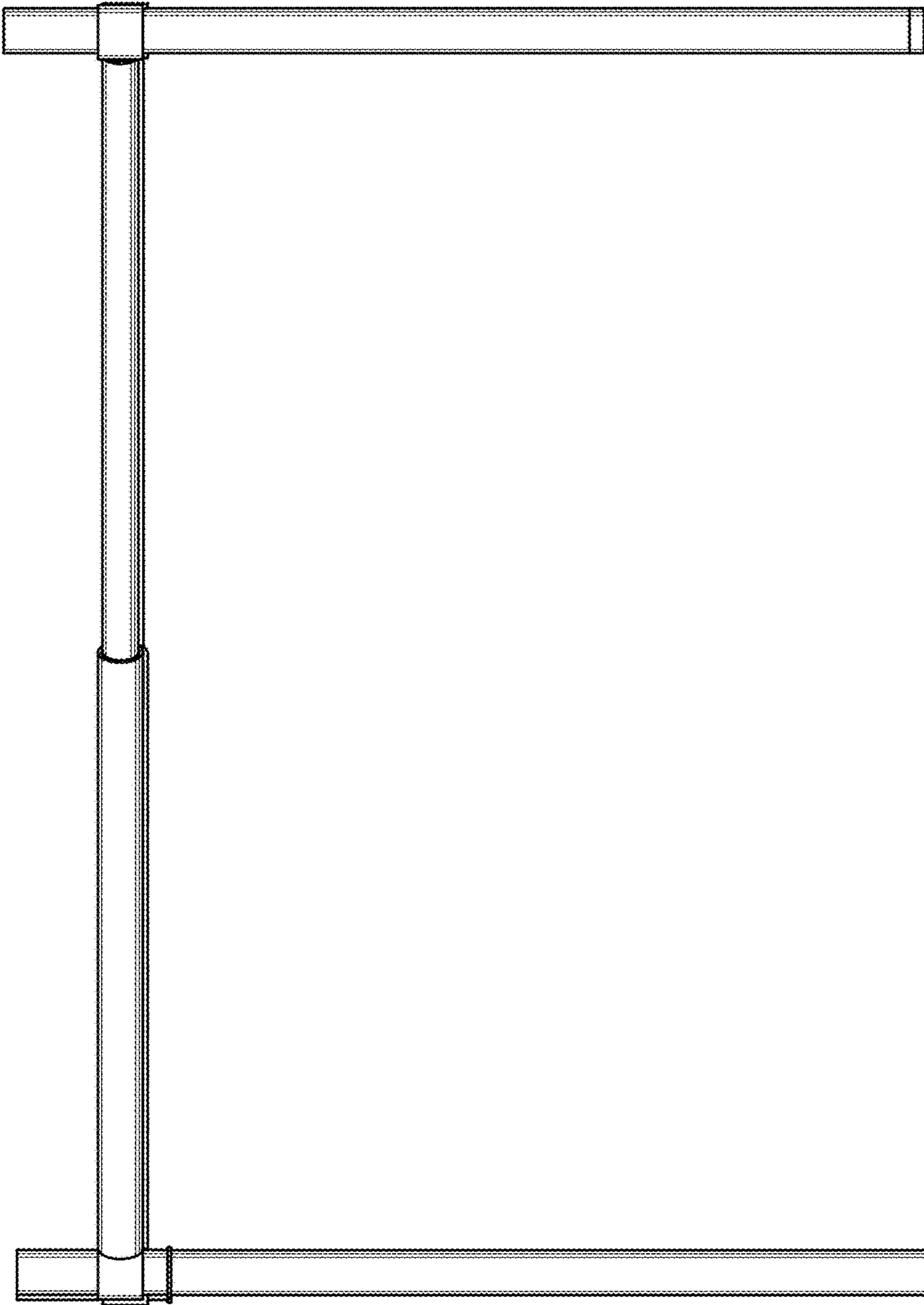


FIG. 7

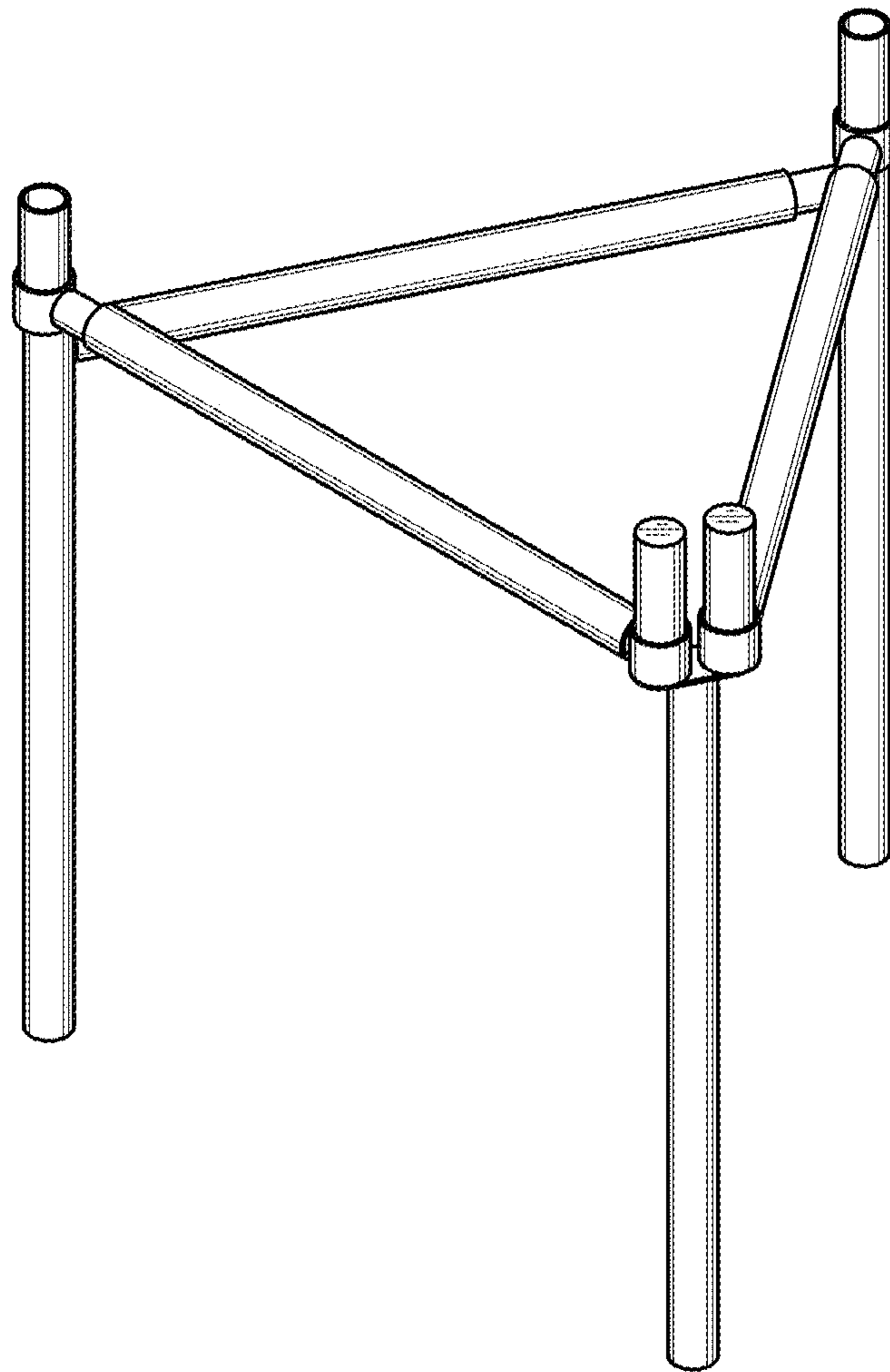


FIG. 8