



US00D787451S

(12) **United States Design Patent**
Tress et al.

(10) **Patent No.:** **US D787,451 S**
(45) **Date of Patent:** **** May 23, 2017**

- (54) **WALL DIMMER SWITCH**
- (71) Applicant: **Rev-A-Shelf Company, LLC**,
Louisville, KY (US)
- (72) Inventors: **Christopher Michael Tress**, Louisville,
KY (US); **Stephen A Warden**,
Louisville, KY (US)
- (73) Assignee: **Rev-A-Shelf Company**, Louisville, KY
(US)
- (**) Term: **15 Years**
- (21) Appl. No.: **29/551,934**
- (22) Filed: **Jan. 19, 2016**
- (51) **LOC (10) Cl.** **13-03**
- (52) **U.S. Cl.**
USPC **D13/169**
- (58) **Field of Classification Search**
USPC D13/162, 169
CPC H01H 9/02; H01H 9/0271; H01H 9/16;
H01H 9/18; H01H 9/161; H01H 9/181;
H01H 9/182; H01H 13/04; H01H 13/14;
H01H 13/20; H01H 13/30; H01H 19/635;
H01H 23/00; H01H 23/02; H01H 23/025;
H01H 23/04; H01H 23/145; H01H
2300/03; H05B 33/0803; H05B 33/0863;
H05B 37/02; H05B 37/0254; H05B
37/0272; H05B 39/02; H05B 39/04;
H05B 39/085; H05B 39/086; H05B
39/088
See application file for complete search history.

- (56) **References Cited**
U.S. PATENT DOCUMENTS
4,221,941 A * 9/1980 Genovese H01H 23/145
200/339
4,669,804 A * 6/1987 Munroe H02G 3/18
439/398

- 5,213,204 A * 5/1993 Sommer H01H 23/145
200/303
 - 5,412,169 A * 5/1995 Comerci H01H 23/30
200/339
 - D360,876 S * 8/1995 Hughes D13/177
 - 5,895,888 A * 4/1999 Arenas H02G 3/14
174/66
 - 7,049,537 B1 * 5/2006 Shotey H01H 23/148
200/329
 - D576,961 S * 9/2008 Kidman D13/169
 - 7,667,155 B1 * 2/2010 Ni H01H 23/145
200/331
 - 7,928,917 B1 * 4/2011 Feldstein H01Q 1/007
343/702
 - 8,297,217 B2 * 10/2012 Hsu H01H 9/16
116/2
 - 8,658,893 B1 * 2/2014 Shotey H01H 11/0006
174/53
 - D707,639 S * 6/2014 Rego D13/173
 - D733,075 S * 6/2015 Junko D13/169
 - 9,230,757 B2 * 1/2016 Rego H01H 23/04
- (Continued)

Primary Examiner — Selina Sikder
(74) *Attorney, Agent, or Firm* — Brinks Gilson & Lione

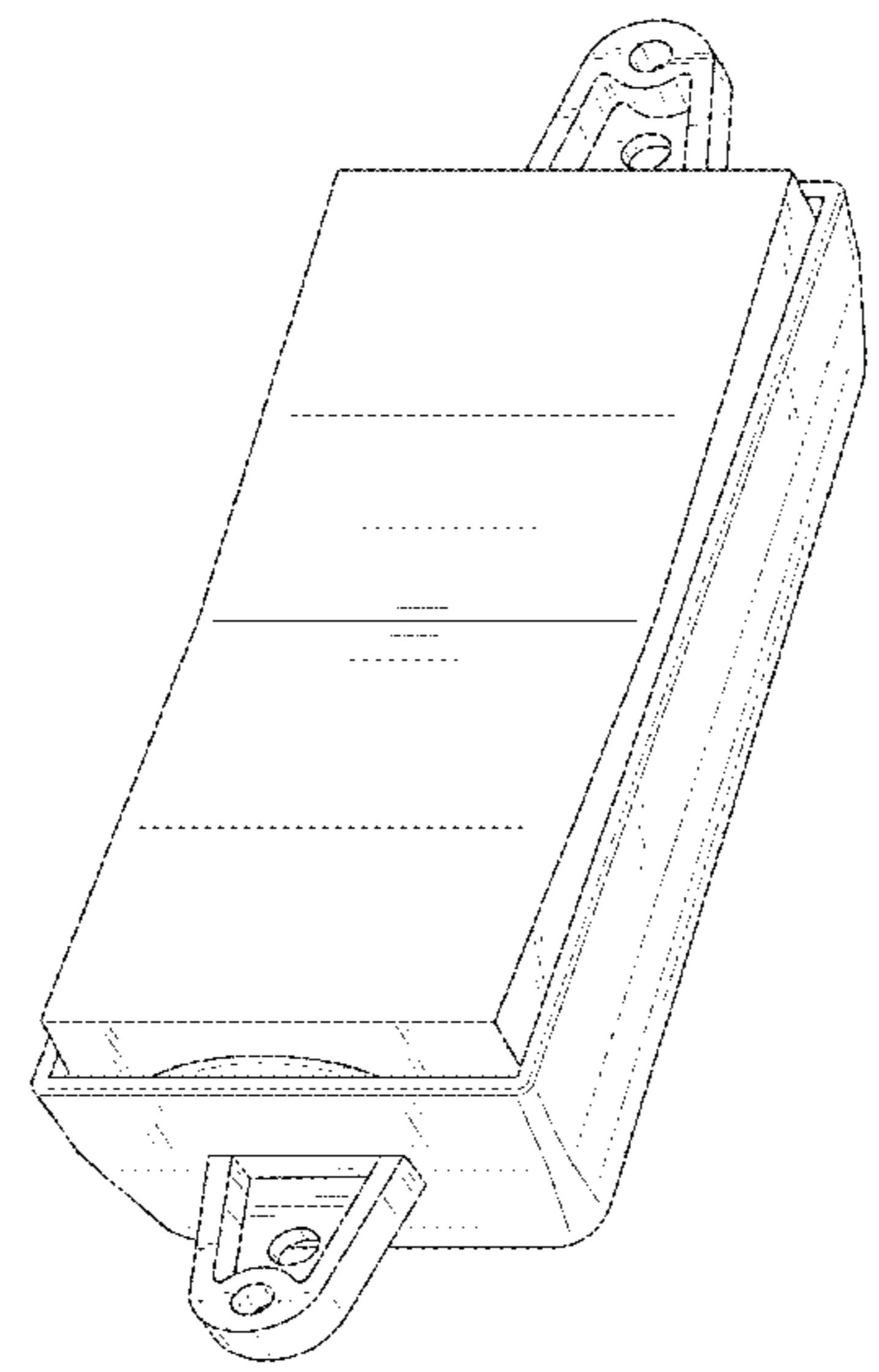
(57) **CLAIM**

We claim the ornamental design for a wall dimmer switch, as shown and described.

DESCRIPTION

FIG. 1 is a front perspective view of the wall dimmer switch. FIG. 2 is a front elevation view of the wall dimmer switch of FIG. 1. FIG. 3 is a rear elevation view of the wall dimmer switch of FIG. 2. FIG. 4 is a right side elevation view of the wall dimmer switch of FIG. 2, the left side elevation view being a mirror image; and, FIG. 5 is a top plan view of the wall dimmer switch of FIG. 2, the bottom plan view being a mirror image.

1 Claim, 5 Drawing Sheets



(56)

References Cited

U.S. PATENT DOCUMENTS

9,401,252	B2 *	7/2016	Keirstead	H01H 23/04
9,431,192	B2 *	8/2016	Kamor	H01H 23/145
D777,685	S *	1/2017	Tannous	D13/169
2006/0065510	A1 *	3/2006	Kiko	H01H 9/161
				200/1 R
2008/0296136	A1 *	12/2008	Kelso	H01H 23/145
				200/330
2015/0357133	A1 *	12/2015	Keirstead	H01H 23/04
				200/339

* cited by examiner

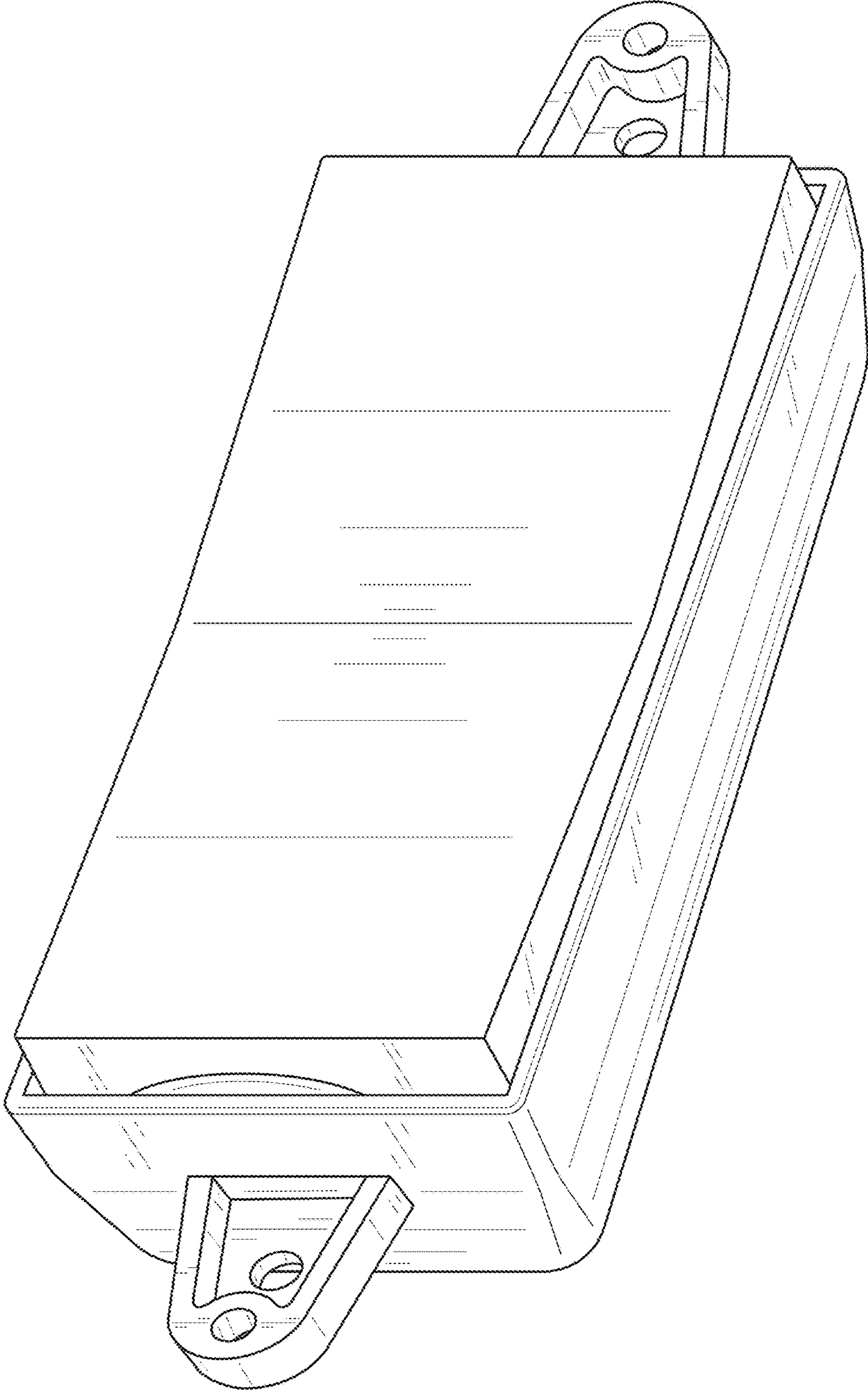


FIG. 1

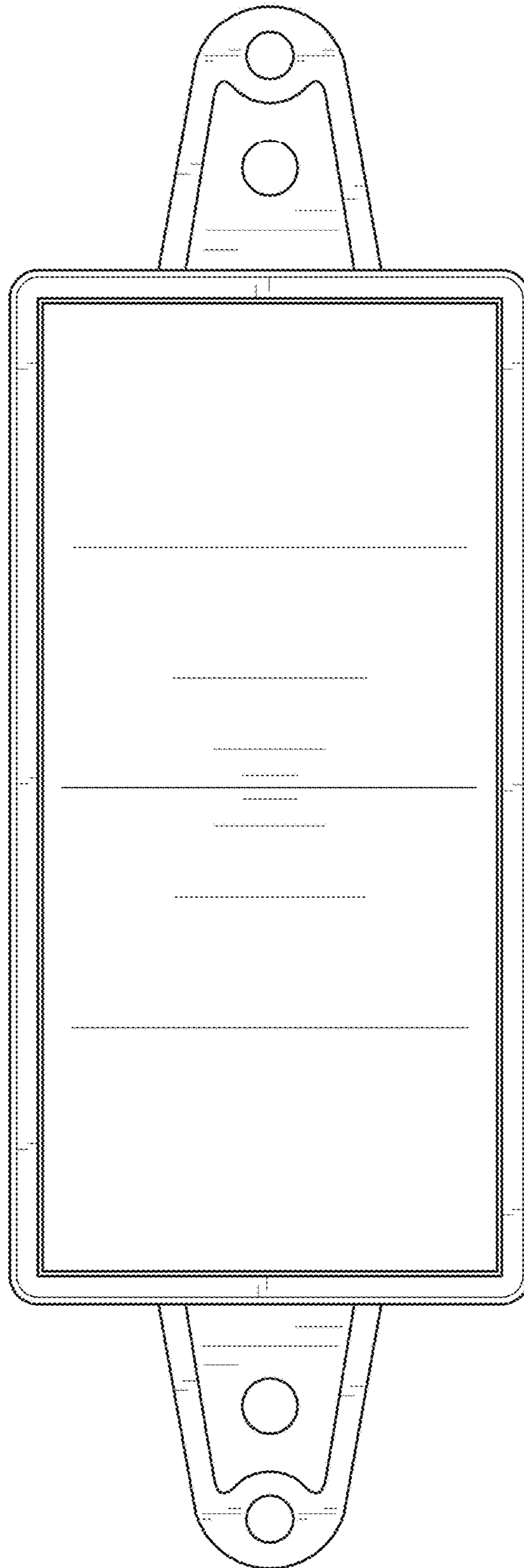


FIG. 2

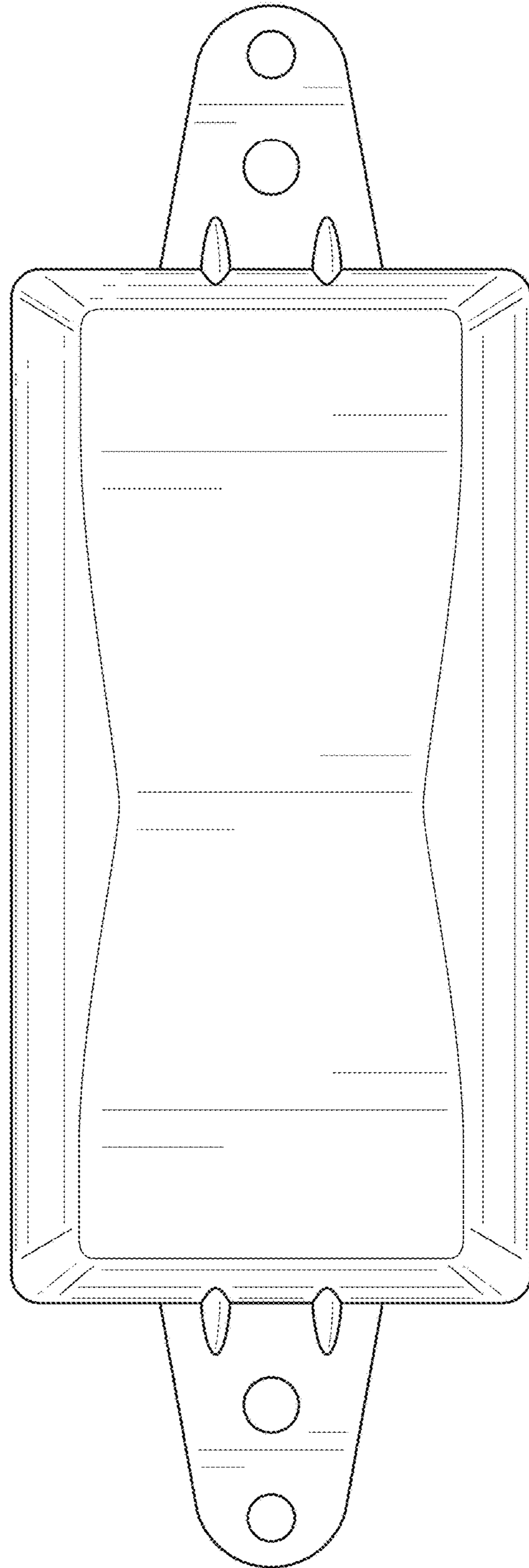


FIG. 3

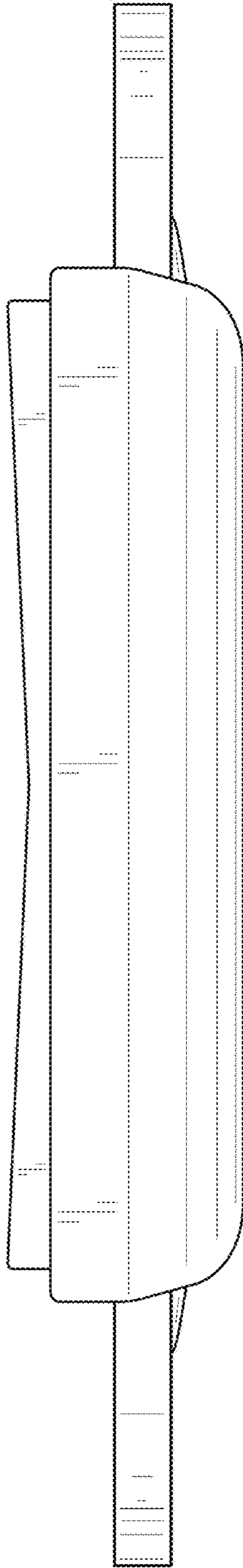


FIG. 4

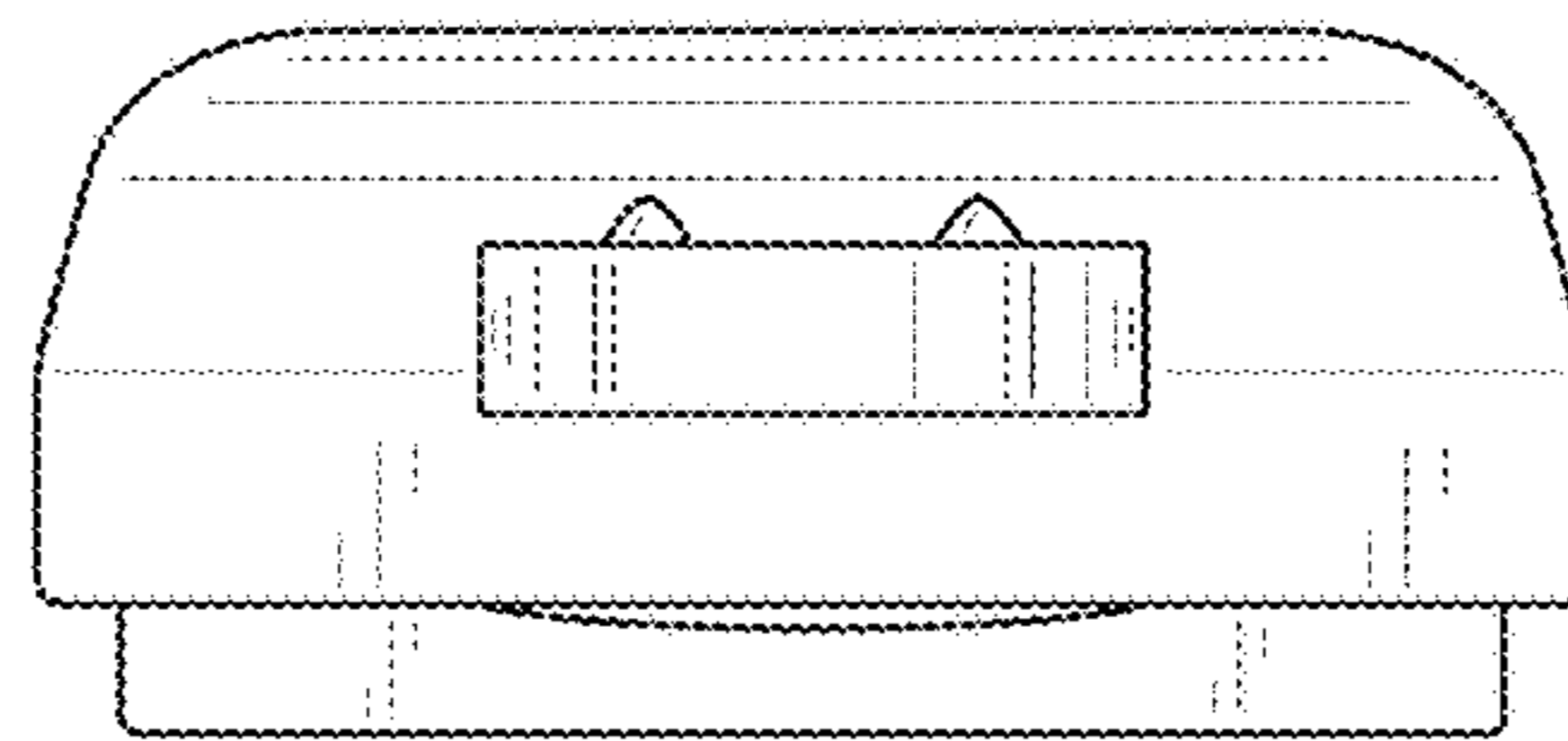


FIG. 5