



US00D787449S

(12) **United States Design Patent**  
**Tashima et al.**

(10) **Patent No.:** **US D787,449 S**

(45) **Date of Patent:** **\*\* May 23, 2017**

(54) **ELECTROMAGNETIC CONTACTOR**

(71) Applicant: **FUJI ELECTRIC FA COMPONENTS & SYSTEMS CO., LTD.**, Tokyo (JP)

(72) Inventors: **Yuki Tashima**, Tokyo (JP); **Hideo Adachi**, Tokyo (JP); **Kouetsu Takaya**, Tokyo (JP); **Yasuhiro Naka**, Tokyo (JP)

(73) Assignee: **FUJI ELECTRIC FA COMPONENTS & SYSTEMS CO., LTD.**, Tokyo (JP)

(\*\*) Term: **14 Years**

(21) Appl. No.: **29/524,781**

(22) Filed: **Apr. 23, 2015**

(30) **Foreign Application Priority Data**

Dec. 5, 2014 (JP) ..... 2014-027237

(51) **LOC (10) Cl.** ..... **13-03**

(52) **U.S. Cl.**  
USPC ..... **D13/159**

(58) **Field of Classification Search**  
USPC ..... D13/110, 118, 123, 133, 154, 158-160, D13/173, 184, 199  
CPC .. H01H 1/00; H01H 1/06; H01H 3/00; H01H 3/02; H01H 3/04; H01H 9/00; H01H 9/02; H01H 50/54; H01H 51/00; H01H 67/02; H01H 71/00; H01H 71/02; H01H 71/06; H01H 33/60; H01H 33/00  
See application file for complete search history.

(56) **References Cited**

**U.S. PATENT DOCUMENTS**

D364,385 S \* 11/1995 Shimizu ..... D13/146  
7,914,344 B2\* 3/2011 Tin ..... H01R 13/64  
439/668

D656,900 S \* 4/2012 Suzuki ..... D13/159  
D656,902 S \* 4/2012 Suzuki ..... D13/159  
D656,903 S \* 4/2012 Suzuki ..... D13/159  
D656,904 S \* 4/2012 Suzuki ..... D13/159  
D657,749 S \* 4/2012 Suzuki ..... D13/159  
D660,254 S \* 5/2012 Cui ..... D13/159  
D690,660 S \* 10/2013 Suzuki ..... D13/159  
D729,747 S \* 5/2015 Suzuki ..... D13/159  
2010/0105226 A1\* 4/2010 Gong ..... H01R 13/7031  
439/135

(Continued)

*Primary Examiner* — Thomas Johannes

*Assistant Examiner* — Shawn T Gingrich

(74) *Attorney, Agent, or Firm* — Ladas & Parry LLP

(57) **CLAIM**

The ornamental design for an electromagnetic contactor, as shown and described.

**DESCRIPTION**

FIG. 1 is a perspective view from the front, top, and right side of the electromagnetic contactor embodying our new design;

FIG. 2 is a perspective view from the front, top and left side thereof;

FIG. 3 is a perspective view from the rear, top, and right side thereof;

FIG. 4 is a perspective view from the front, bottom and right side thereof;

FIG. 5 is a front elevational view thereof;

FIG. 6 is a rear elevational view thereof;

FIG. 7 is a right side elevational view thereof;

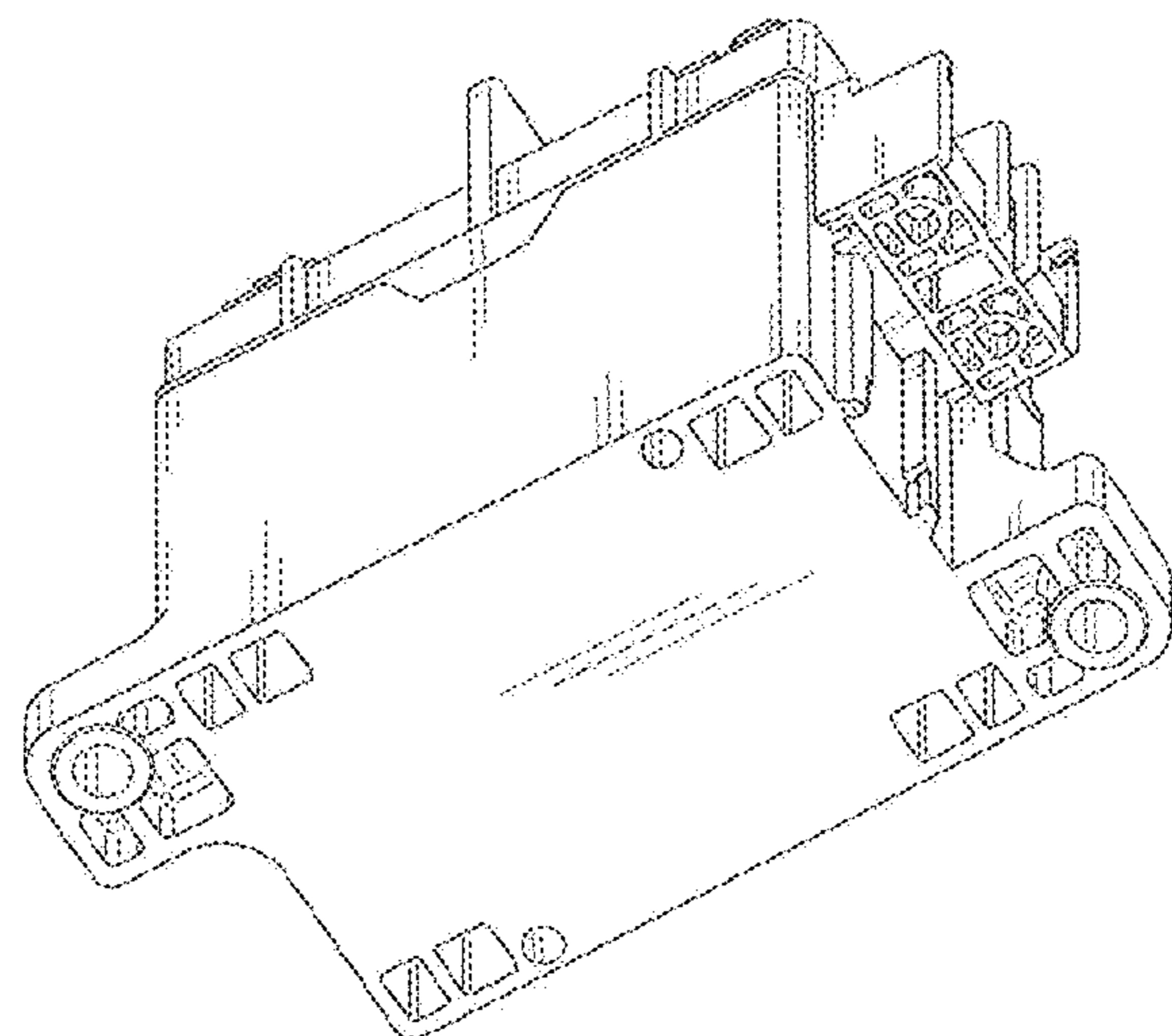
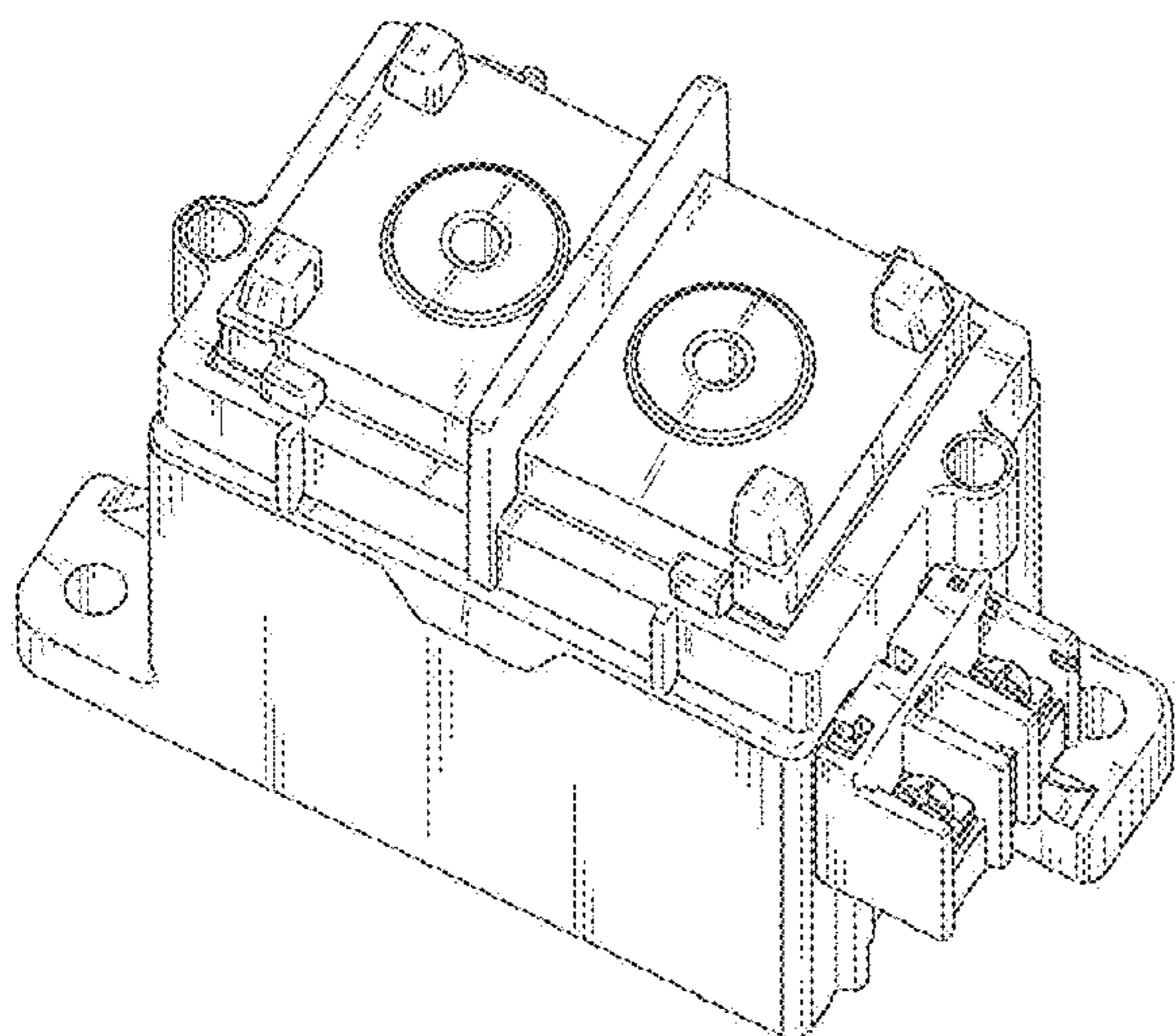
FIG. 8 is a left side elevational view thereof;

FIG. 9 is a top plan view thereof; and,

FIG. 10 is a bottom plan view thereof.

The broken line portions of the figure drawings is included to show portions of the article that form no part of the claimed design.

**1 Claim, 10 Drawing Sheets**



(56)

**References Cited**

U.S. PATENT DOCUMENTS

2012/0175345	A1 *	7/2012	Tachikawa .....	H01H 50/546 218/26
2015/0022293	A1 *	1/2015	Naka .....	H01H 50/023 335/153

\* cited by examiner

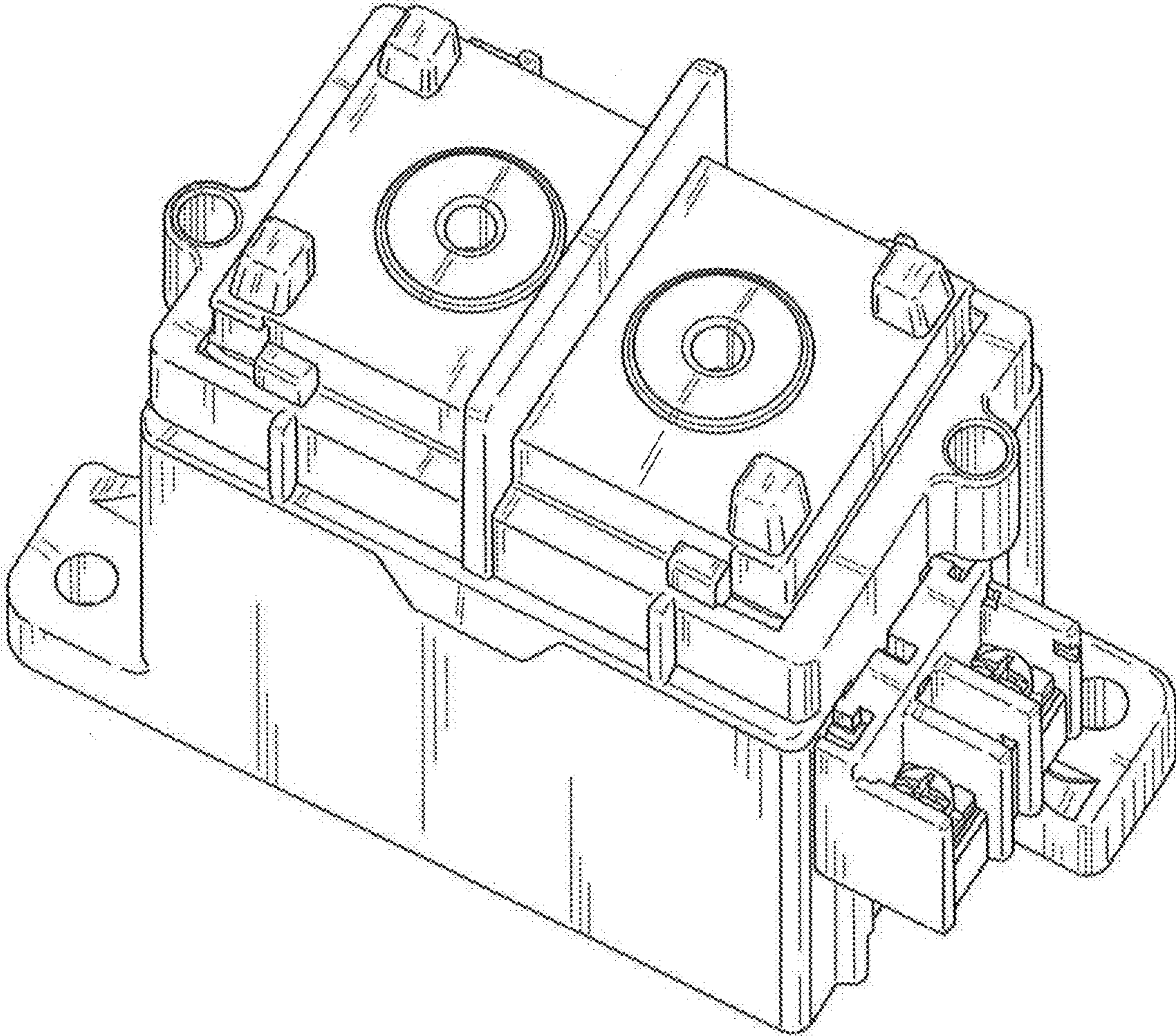


FIG. 1

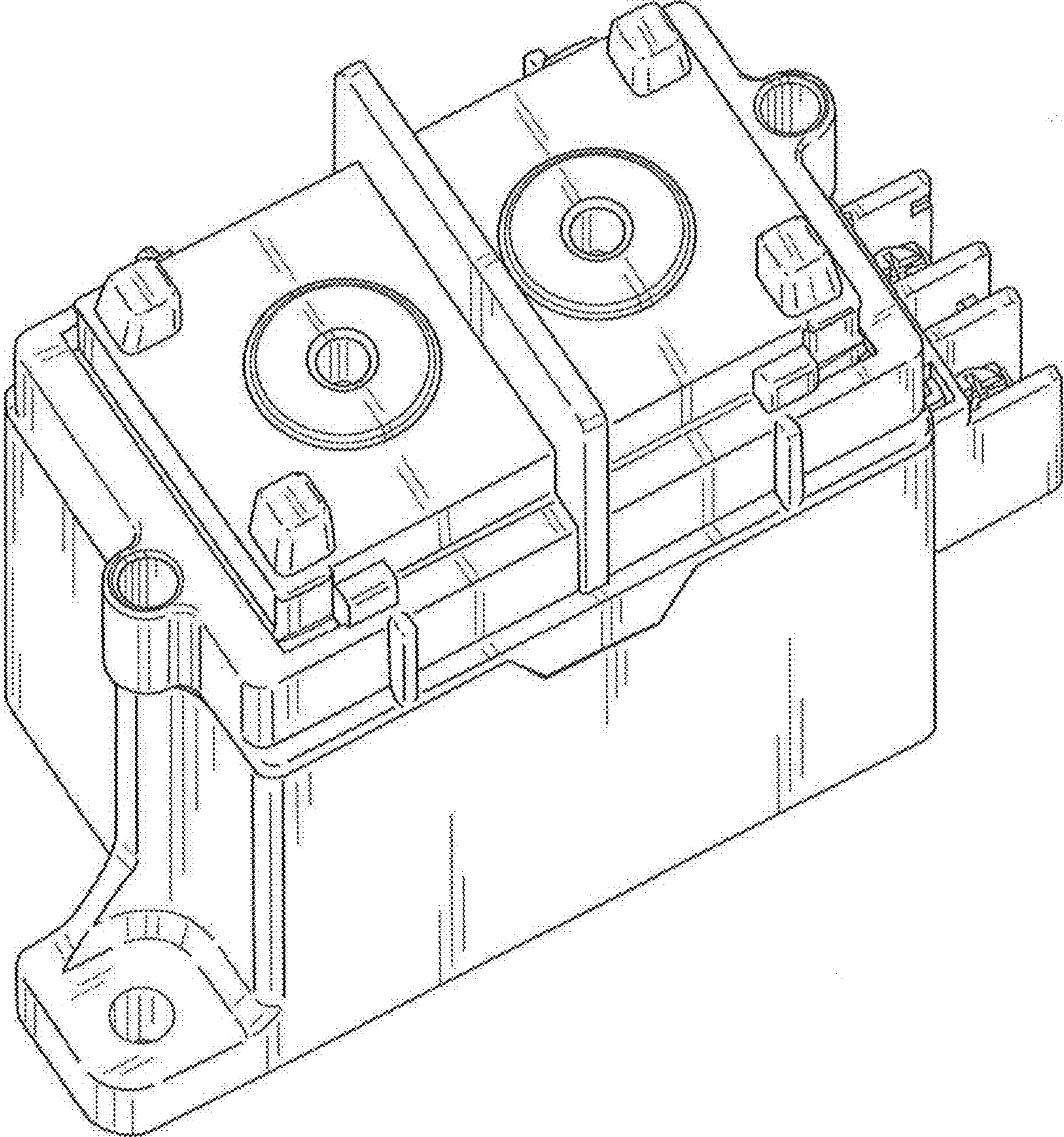


FIG. 2

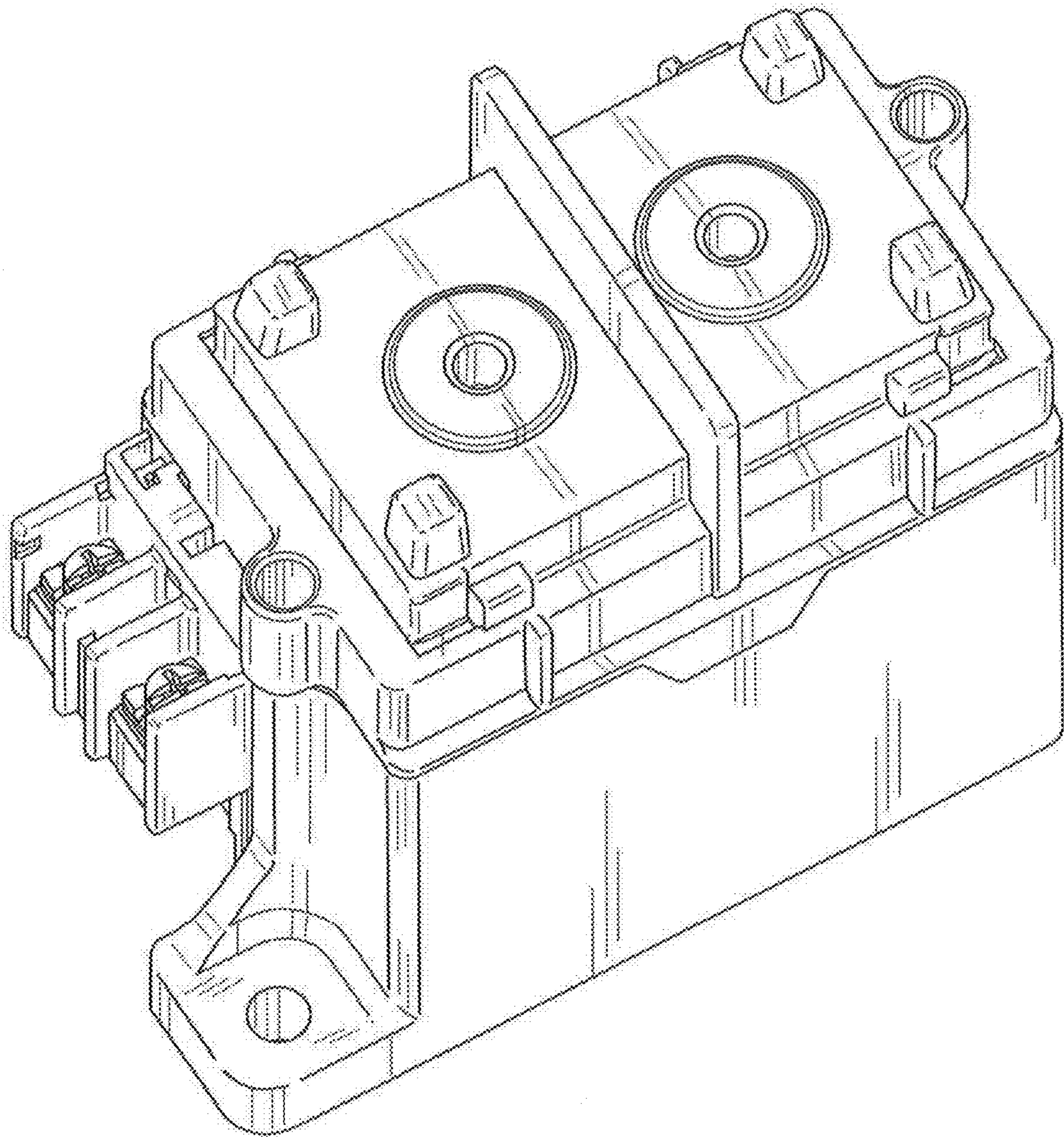


FIG. 3

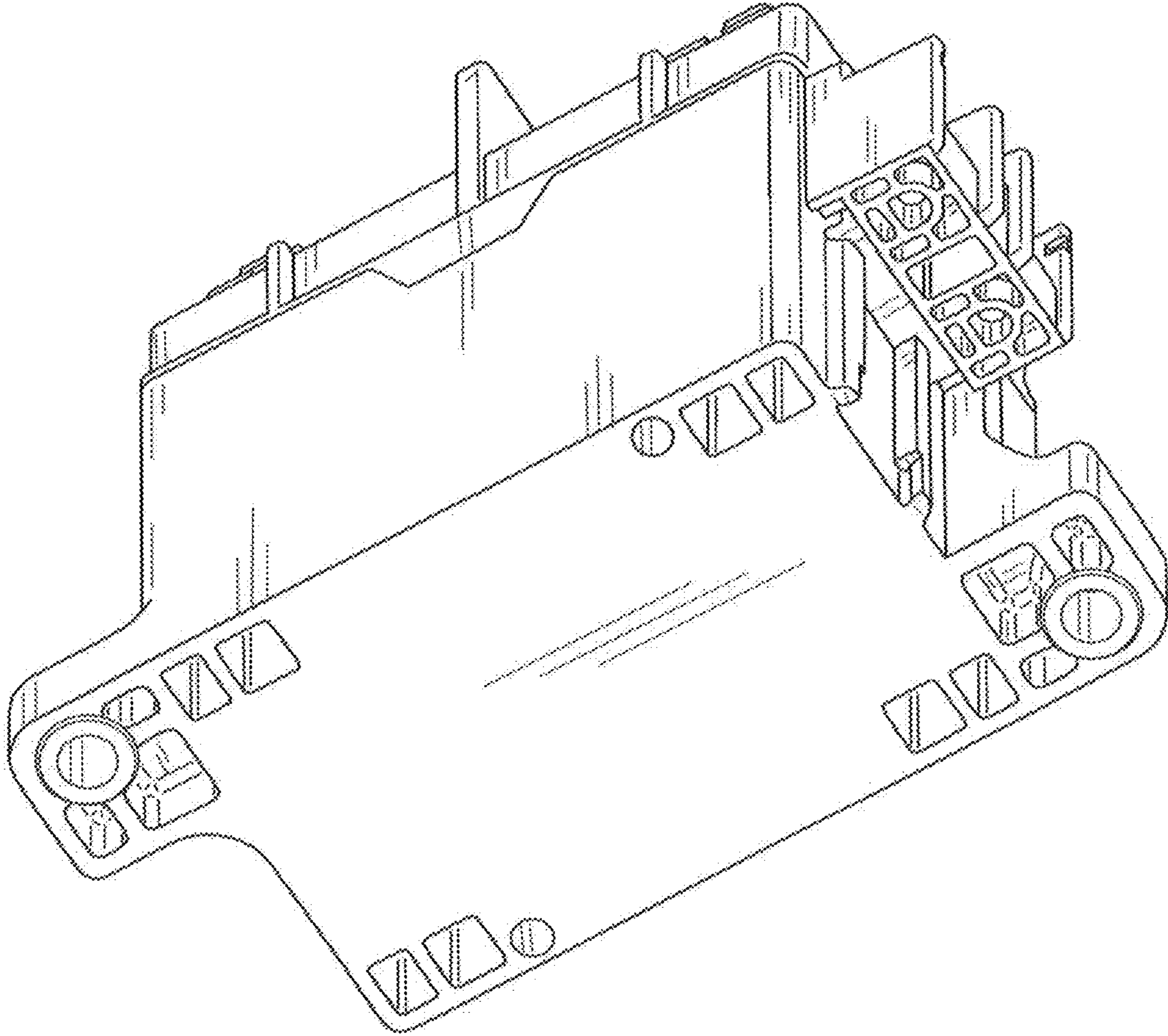


FIG. 4

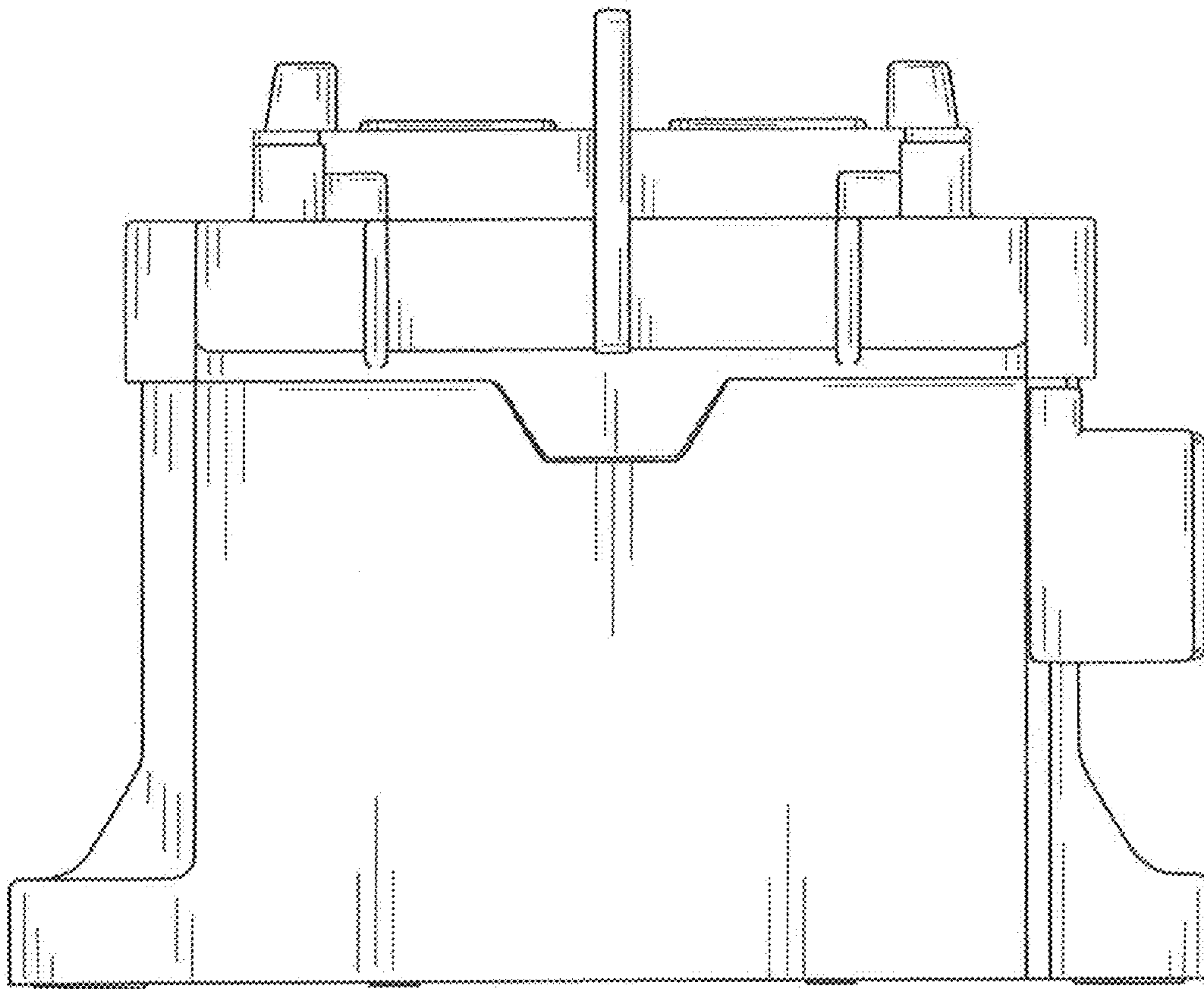


FIG. 5

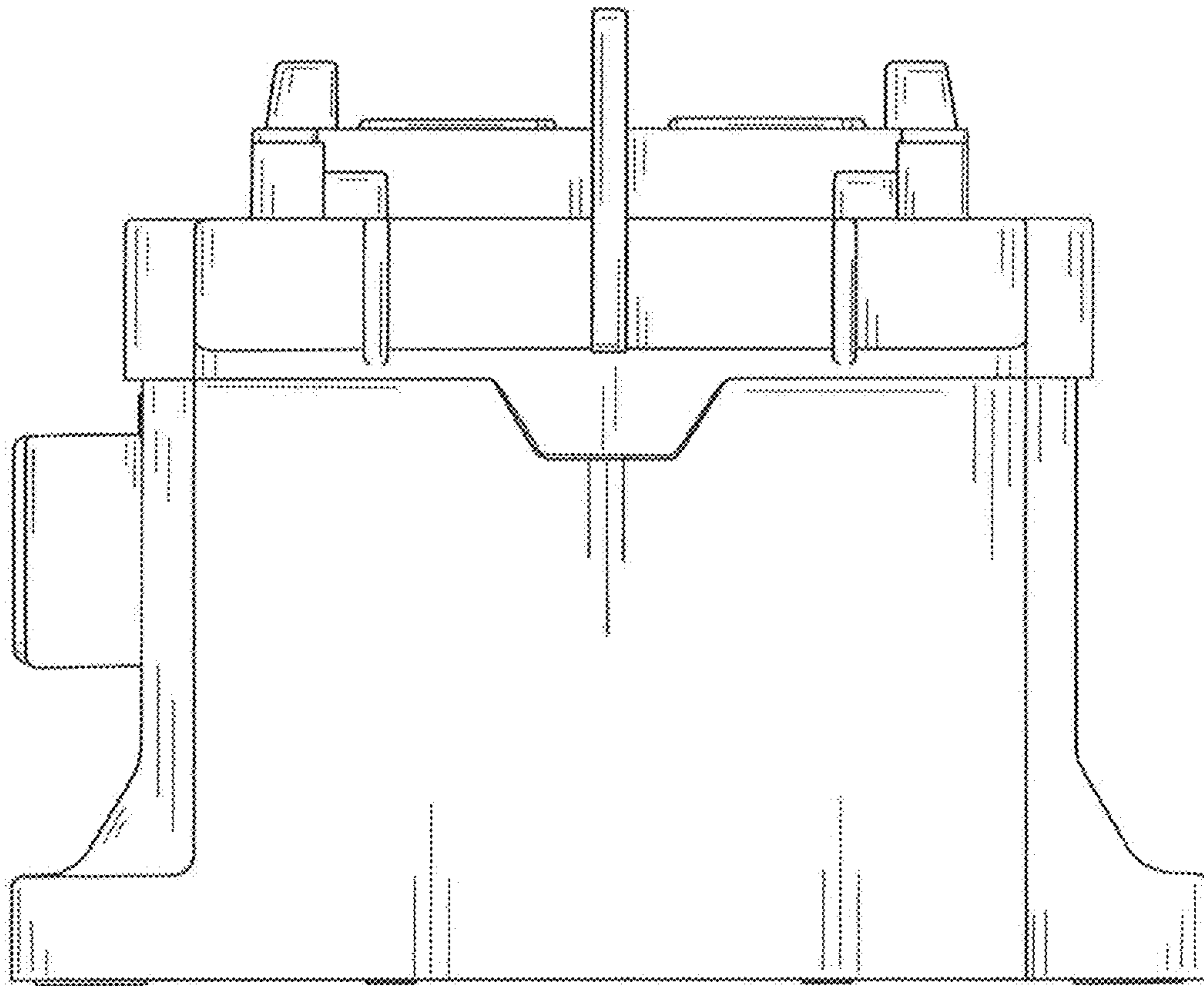


FIG. 6



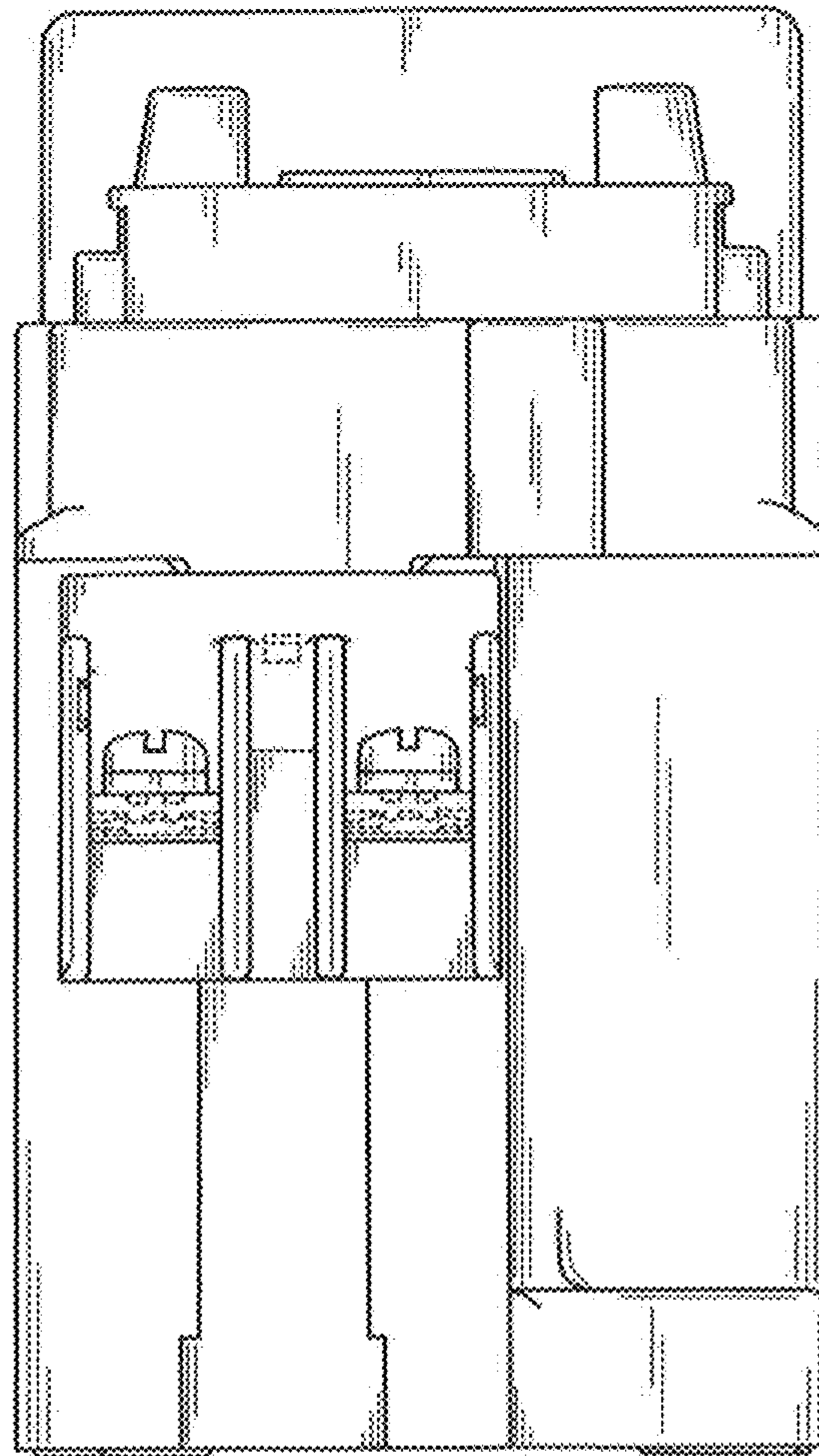


FIG. 7

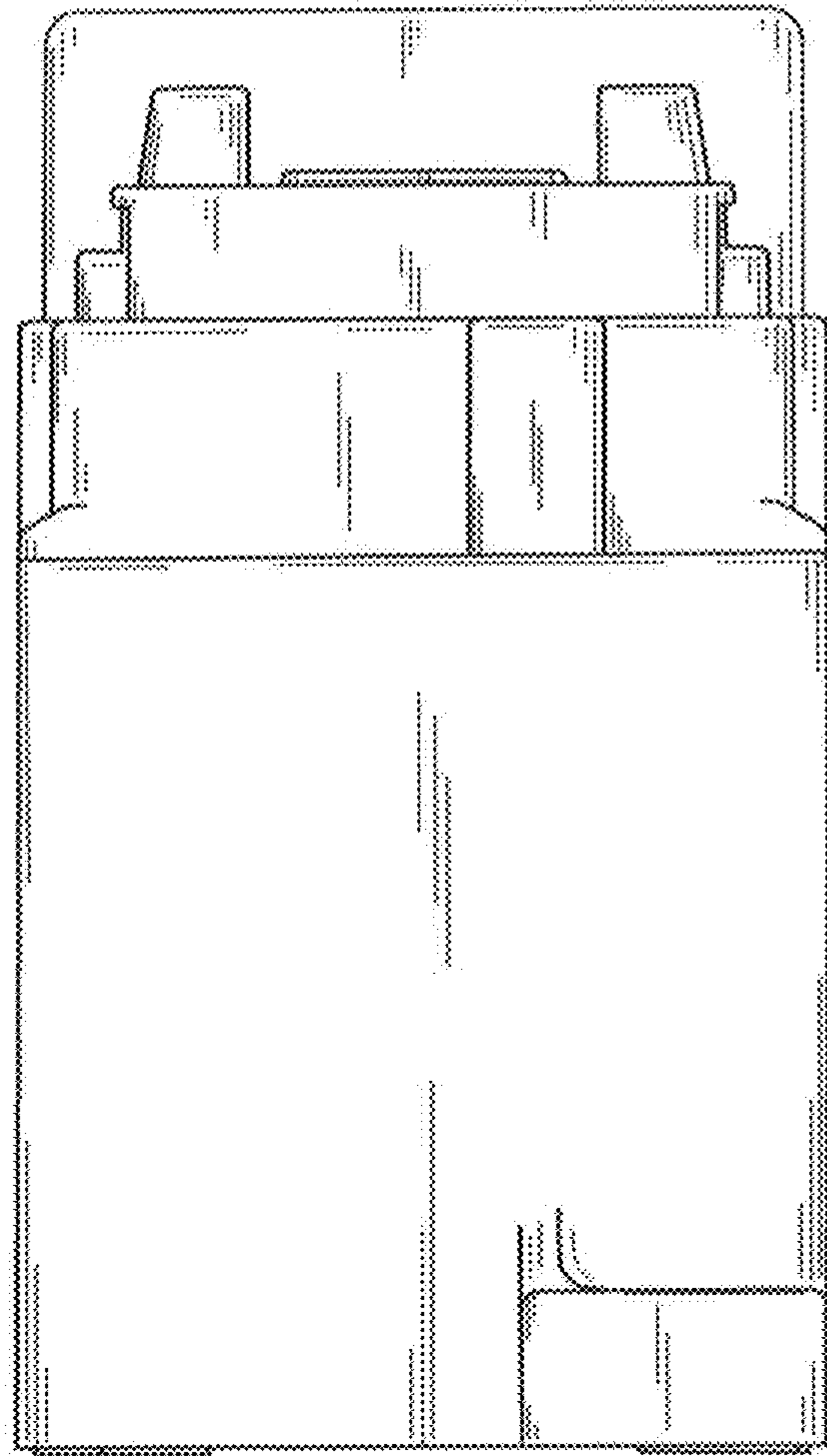


FIG. 8

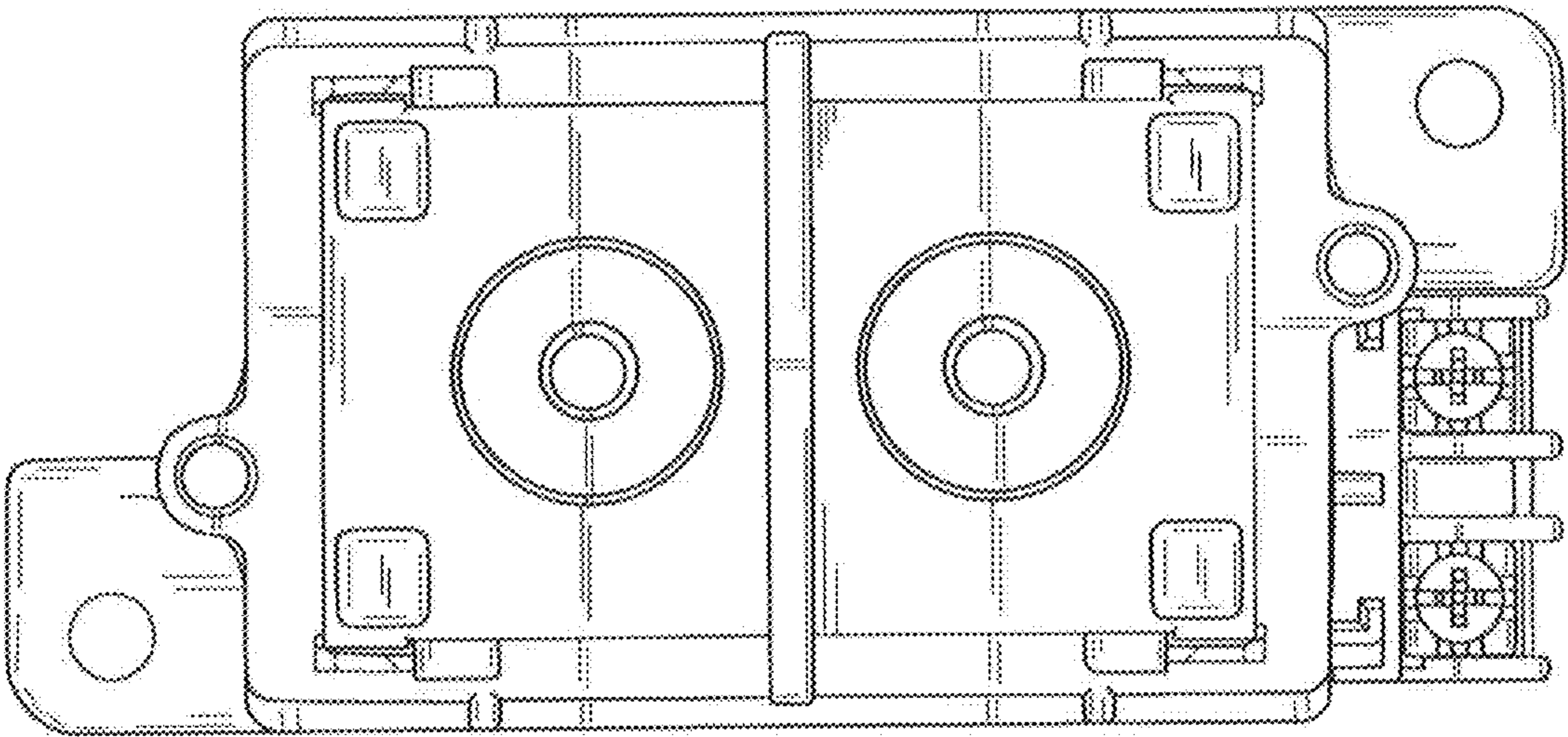


FIG. 9

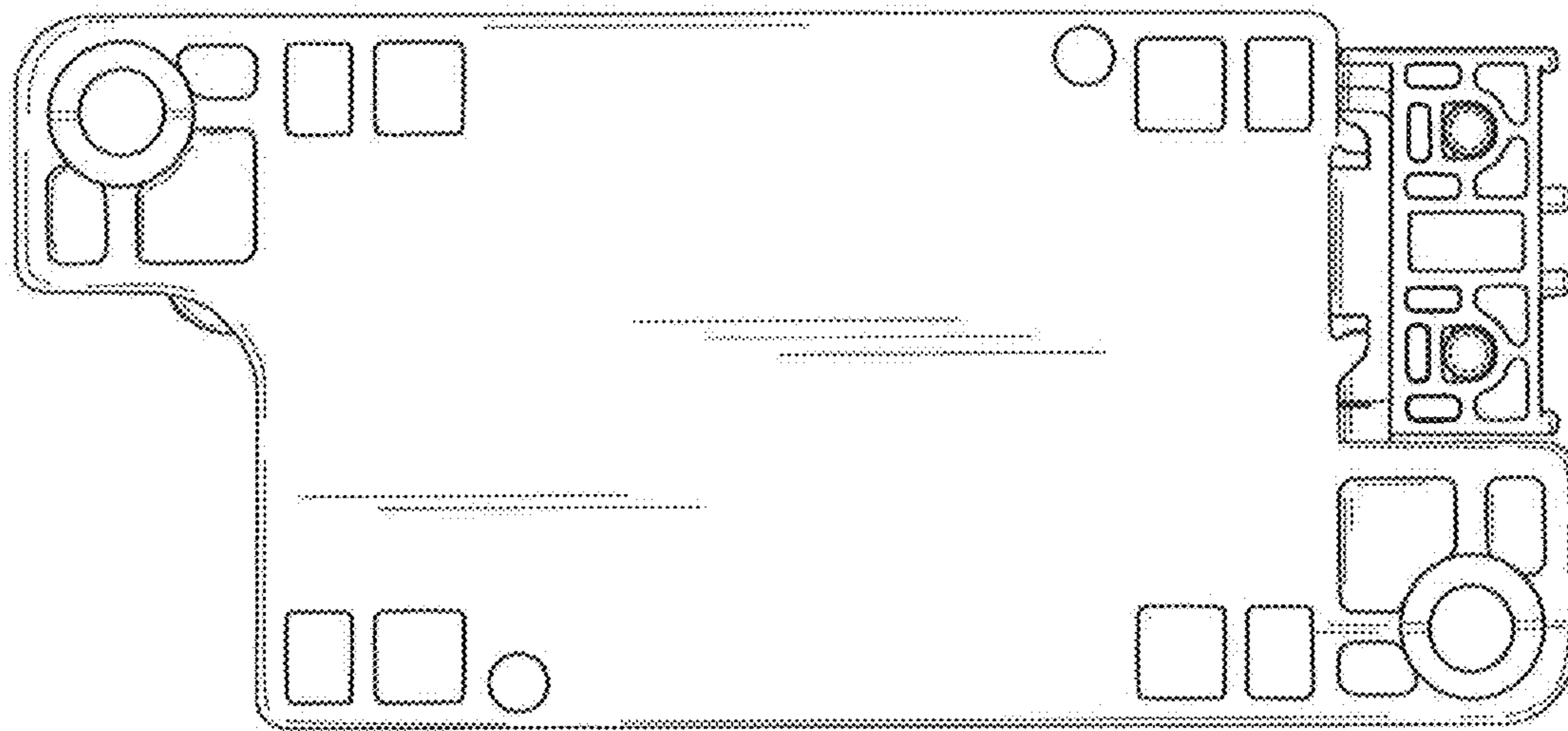


FIG. 10