



US00D787448S

(12) **United States Design Patent** (10) **Patent No.:** **US D787,448 S**
Robert et al. (45) **Date of Patent:** **** May 23, 2017**

(54) **ELECTRICAL CONNECTOR** 4,422,716 A 12/1983 Morimoto et al.
4,437,726 A 3/1984 Lambert
(71) Applicant: **Interlema Holding S.A.**, Ecublens 4,448,470 A 5/1984 Peterson
(CH) 4,472,012 A 9/1984 Michaels
4,614,029 A 9/1986 Neumann et al.
(72) Inventors: **David Robert**, Montbenoit (FR); **Eric** 4,647,127 A 3/1987 Weingartner
Moreau, Malbuisson (FR) 4,657,327 A 4/1987 Weingartner
4,685,758 A 8/1987 Yoshida
(73) Assignee: **INTERLEMO HOLDING S.A.**, 4,708,662 A 11/1987 Klein
Ecublens (CH) 4,726,788 A 2/1988 F'Geppert
4,762,389 A 8/1988 Kaihara
4,770,443 A 9/1988 Yamamoto
D300,425 S 3/1989 Sumita
4,812,136 A 3/1989 Molitor
(**) Term: **14 Years** (Continued)

(21) Appl. No.: **29/499,648**

(22) Filed: **Aug. 18, 2014**

(51) **LOC (10) Cl.** **13-03**

(52) **U.S. Cl.**
USPC **D13/151**

(58) **Field of Classification Search**
USPC D13/101, 123, 133, 149, 151, 153, 154,
D13/155, 156, 184, 199; D8/348, 355;
174/650, 656, 659, 665; 439/271, 275,
439/277, 279, 283, 285
CPC ... H01R 4/40; H01R 4/56; H01R 4/60; H01R
4/64; H01R 9/05; H01R 9/0503; H01R
9/0518; H01R 27/00; H01R 13/58
See application file for complete search history.

(56) **References Cited**

U.S. PATENT DOCUMENTS

2,410,618 A 11/1946 Zelov
3,287,031 A 11/1966 Simmons et al.
D225,740 S 1/1973 Thompson
3,810,073 A 5/1974 Zajac et al.
4,155,619 A 5/1979 Bray et al.
4,191,443 A 3/1980 Doyle
4,229,064 A 10/1980 Vetter et al.
4,268,115 A 5/1981 Slemon et al.
4,316,647 A 2/1982 Bailey et al.
4,330,166 A 5/1982 Cooper et al.
4,412,717 A 11/1983 Monroe

OTHER PUBLICATIONS

Fischer FiberOptic Series:Connect2, Fischer Connectors SA, Switzerland, Mar. 2014.

(Continued)

Primary Examiner — Derrick Holland
(74) *Attorney, Agent, or Firm* — McCarter & English,
LLP; Keith Toms; Heath T. Misley

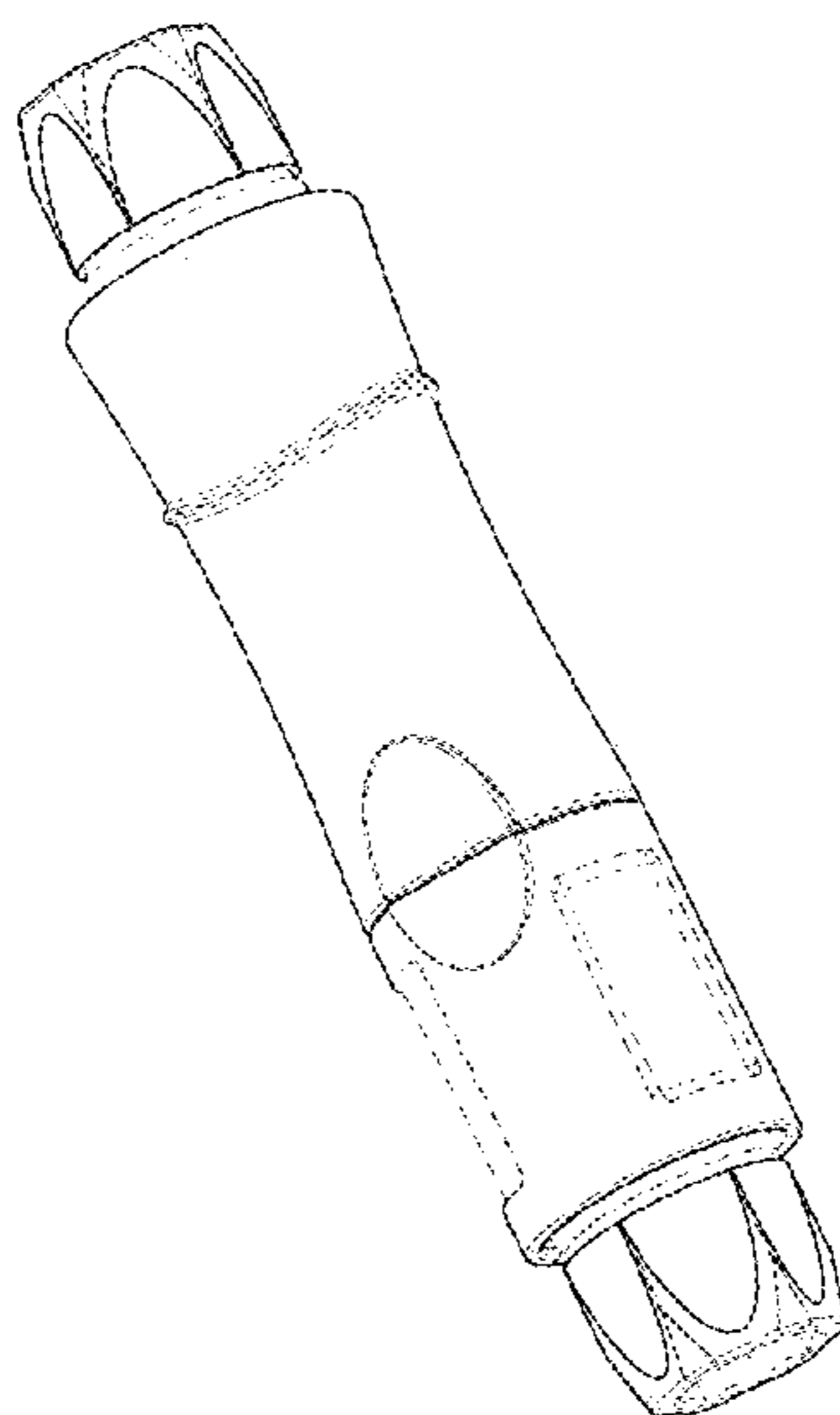
(57) **CLAIM**

The ornamental design for an electrical connector, as shown and described.

DESCRIPTION

FIG. 1 is a front view of an electrical connector showing our new design;
FIG. 2 is an exploded front view thereof;
FIG. 3 is a perspective view of the electrical connector shown in FIG. 1; and,
FIG. 4 is an exploded perspective view thereof.
The broken line portions of the figure drawings are included to show unclaimed subject matter only and form no part of the claimed design.

1 Claim, 3 Drawing Sheets



(56)

References Cited

U.S. PATENT DOCUMENTS

4,820,204 A 4/1989 Batty
 4,834,678 A 5/1989 Emadi et al.
 4,891,021 A 1/1990 Hayes et al.
 4,915,421 A 4/1990 Dennany, Jr.
 4,936,662 A 6/1990 Griffin
 4,938,718 A 7/1990 Guendel
 5,042,891 A 8/1991 Mulholland et al.
 5,067,909 A 11/1991 Behning
 5,101,463 A 3/1992 Cubukciyan et al.
 5,127,843 A 7/1992 Henry et al.
 5,195,905 A 3/1993 Pesci
 5,212,752 A 5/1993 Stephenson et al.
 5,265,183 A 11/1993 Feng et al.
 5,288,243 A 2/1994 Mergless
 5,356,315 A 10/1994 Jankowski et al.
 5,394,494 A 2/1995 Jennings et al.
 5,449,302 A 9/1995 Yarbrough et al.
 D368,697 S 4/1996 Hoard
 D372,221 S 7/1996 Anthony
 5,637,010 A 6/1997 Jost et al.
 5,666,970 A 9/1997 Smith
 5,683,270 A 11/1997 Warislohner
 5,704,809 A 1/1998 Davis
 5,727,963 A 3/1998 LeMaster
 5,746,619 A 5/1998 Harting et al.
 5,890,929 A 4/1999 Mills et al.
 5,984,378 A 11/1999 Ostrander et al.
 6,045,404 A 4/2000 Myer
 6,056,577 A 5/2000 Blanchet
 D434,003 S 11/2000 Brisson
 6,161,579 A 12/2000 Vulliet
 D438,844 S 3/2001 Meyer et al.
 6,290,525 B1 9/2001 Jacobi
 6,296,508 B1 10/2001 Kuwahara et al.
 6,416,334 B1 7/2002 Plishner
 D461,778 S * 8/2002 Fox D13/133
 6,454,613 B2 9/2002 Valceschini
 6,508,669 B2 1/2003 Wang
 D494,136 S 8/2004 Vesecky
 6,796,812 B2 9/2004 Reicharz
 D501,826 S * 2/2005 Bachmann D13/149

D512,378 S 12/2005 Dobler
 D512,965 S 12/2005 Dobler
 7,326,091 B2 2/2008 Nania et al.
 D566,653 S * 4/2008 Sakamoto D13/133
 D582,850 S 12/2008 Andre
 D596,127 S 7/2009 Nania et al.
 D601,966 S * 10/2009 Shaw D13/133
 7,661,995 B2 2/2010 Nania et al.
 D615,932 S 5/2010 Nania et al.
 D616,825 S 6/2010 Nania et al.
 7,805,838 B2 10/2010 Morana et al.
 7,938,670 B2 5/2011 Nania et al.
 D649,121 S * 11/2011 Urban D13/151
 D662,063 S * 6/2012 Eriksen D13/151
 D664,504 S * 7/2012 Alrutz D13/151
 8,225,475 B2 7/2012 Strange et al.
 D668,620 S 10/2012 Convert et al.
 8,449,314 B1 5/2013 Feist et al.
 8,597,034 B2 12/2013 Morana et al.
 8,636,551 B2 1/2014 Skidmore
 2002/0182924 A1 12/2002 Mo
 2009/0186503 A1 * 7/2009 Dobler H01R 27/00
 439/172
 2011/0294335 A1 * 12/2011 Sagdic H01R 13/58
 439/359
 2014/0073164 A1 3/2014 Convert et al.

OTHER PUBLICATIONS

Fischer FiberOptic Series: Connect2, Technical Specification, Fischer Connectors SA, Switzerland, Apr. 2014.
 Fischer Ultimate Bend Relief: Connect2, Fischer Connectors, SA, Sep. 2013.
 Hypergrip—Push/Pull Plastic Circular Connectors, Hypertronics Corporation, MA, USA.
 Mini Hypergrip Series, High Reliability Medical Connector, Hypertronics Corporation, MA, USA, 2011.
 OmneMed Circular Plastic Connector, Omnetic Connector Corporation, MN, USA.
 Redel XP series Catalog, Lemo, SA, Switzerland, Nov. 2010.
 Redel P Series Catalog, Lemo, SA, Switzerland, Oct. 2008.

* cited by examiner

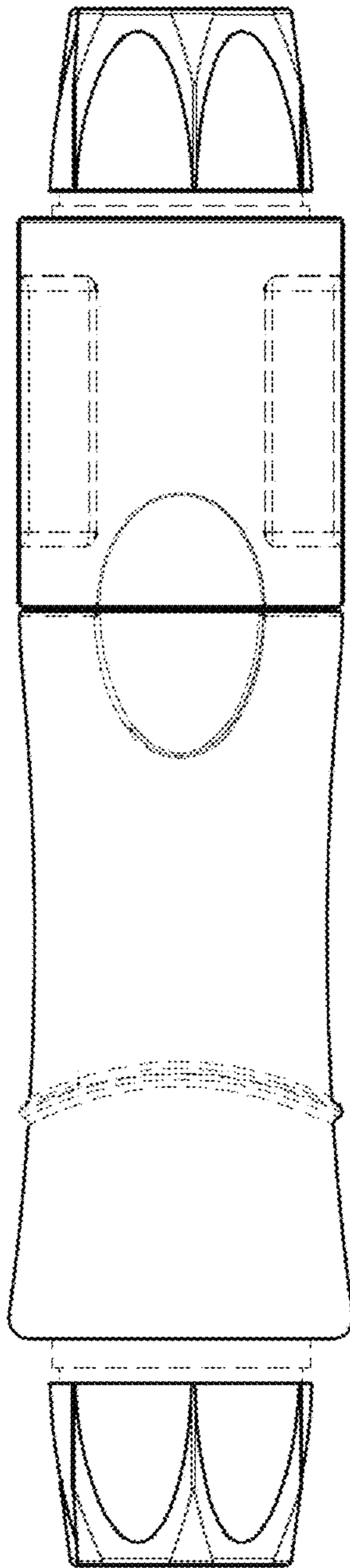


FIG. 1

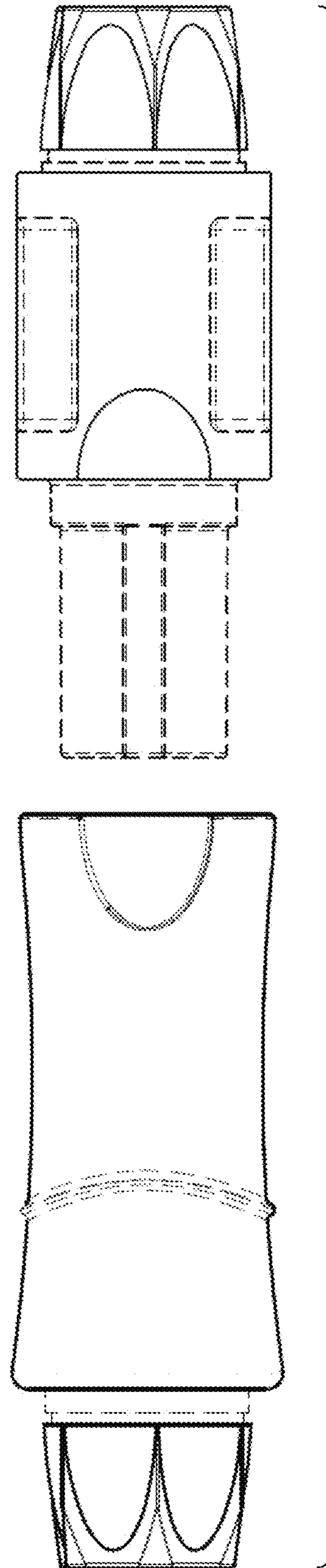


FIG. 2

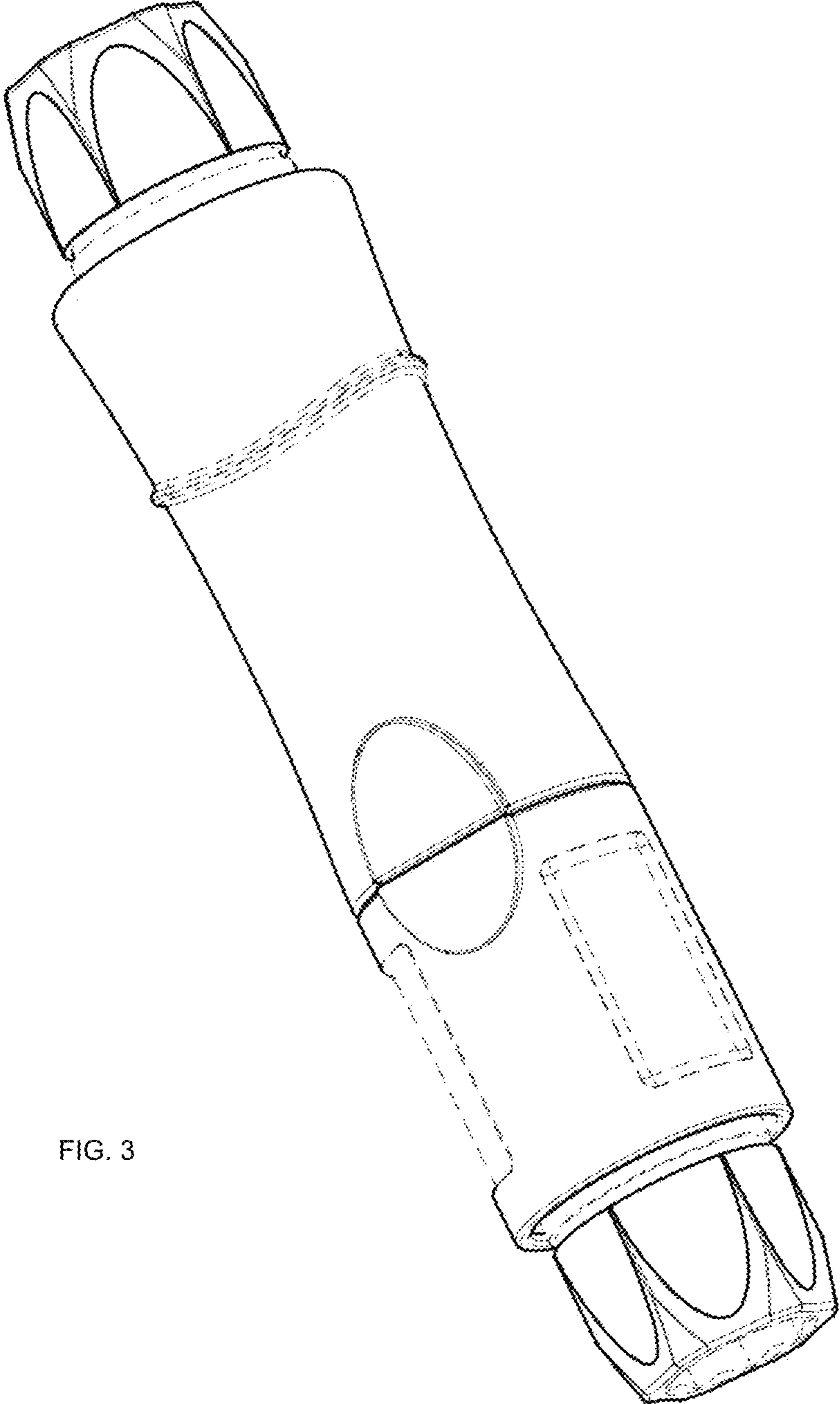


FIG. 3

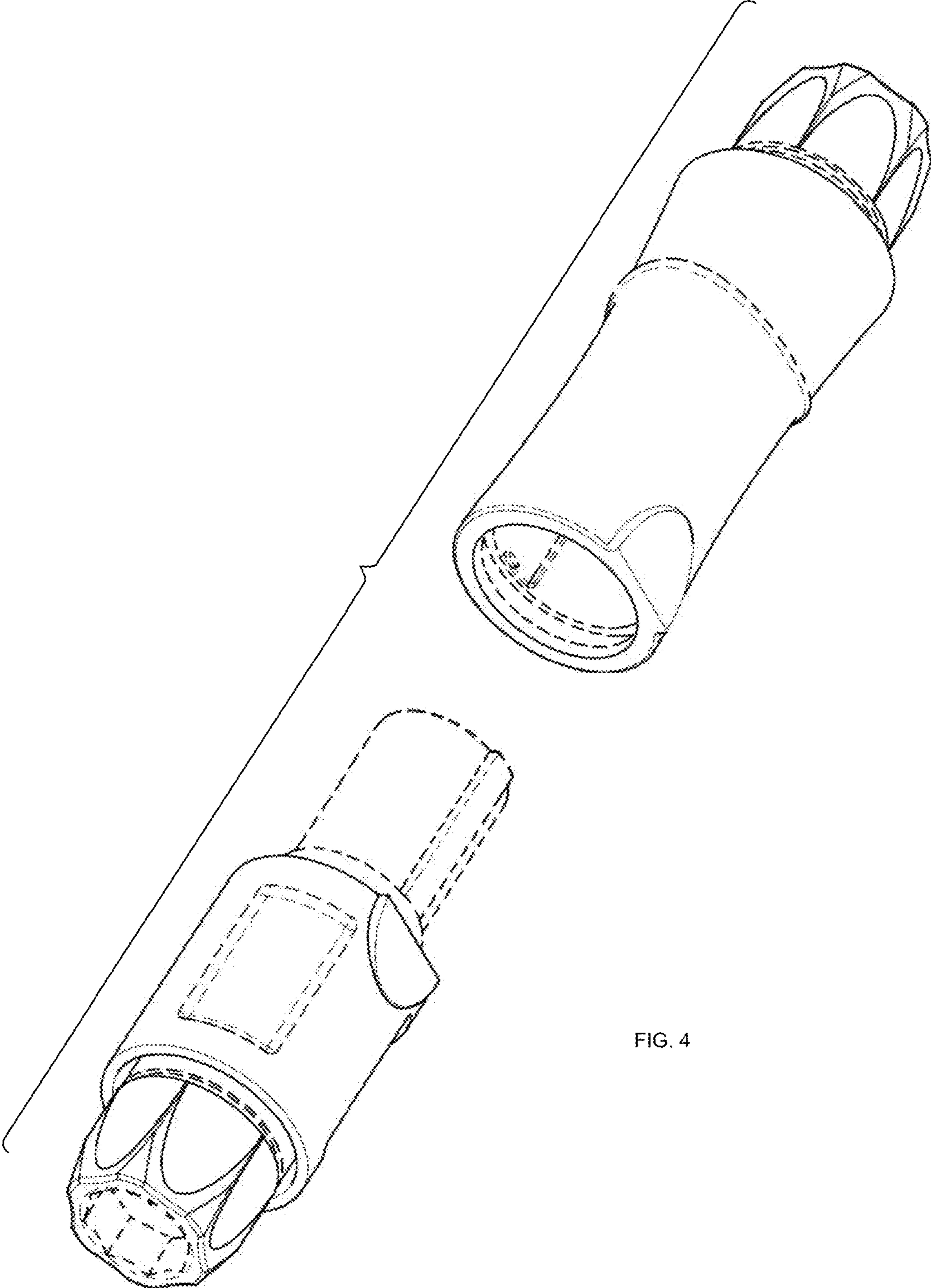


FIG. 4