



US00D787447S

(12) **United States Design Patent**  
**Hayashi et al.**

(10) **Patent No.:** **US D787,447 S**

(45) **Date of Patent:** **\*\* May 23, 2017**

(54) **ELECTRICAL CONNECTOR**

(71) Applicant: **SMK Corporation**, Tokyo (JP)

(72) Inventors: **Kohei Hayashi**, Toyama (JP);  
**Takanobu Makimura**, Toyama (JP);  
**Kaoru Kanda**, Toyama (JP)

(73) Assignee: **SMK Corporation**, Tokyo (JP)

(\*\*) Term: **15 Years**

(21) Appl. No.: **29/538,934**

(22) Filed: **Sep. 9, 2015**

(30) **Foreign Application Priority Data**

Mar. 17, 2015 (JP) ..... 2015-5663

(51) **LOC (10) Cl.** ..... **13-03**

(52) **U.S. Cl.**  
USPC ..... **D13/147**

(58) **Field of Classification Search**

USPC ..... D13/110, 123, 133, 147, 154, 184, 199

CPC ..... H01R 12/70; H01R 24/20; H01R 24/22;

H01R 24/62; H01R 13/648; H01R

13/652; H01R 13/6581; H01R 13/6582;

H01R 13/6583; H01R 13/6585; H01R

13/6586; H01R 13/6588

See application file for complete search history.

(56) **References Cited**

**U.S. PATENT DOCUMENTS**

D427,568 S \* 7/2000 Ko ..... D13/147

D543,149 S \* 5/2007 Huang ..... D13/147

D604,697 S \* 11/2009 Sogo ..... D13/133

D611,425 S \* 3/2010 Aldridge ..... D13/147

D616,826 S \* 6/2010 Ebihara ..... D13/147

D704,647 S \* 5/2014 Grant ..... D13/147

D716,738 S \* 11/2014 York ..... D13/147

**FOREIGN PATENT DOCUMENTS**

JP 1370688 S 10/2009

\* cited by examiner

*Primary Examiner* — Daniel Bui

(74) *Attorney, Agent, or Firm* — Mark Malek; Wideman Malek, PL

(57) **CLAIM**

The ornamental design for an electrical connector, as shown and described.

**DESCRIPTION**

FIG. 1 is a front elevation view of an electrical connector showing our new design.

FIG. 2 is a top plan view thereof.

FIG. 3 is a right side elevation view thereof.

FIG. 4 is a left side elevation view thereof.

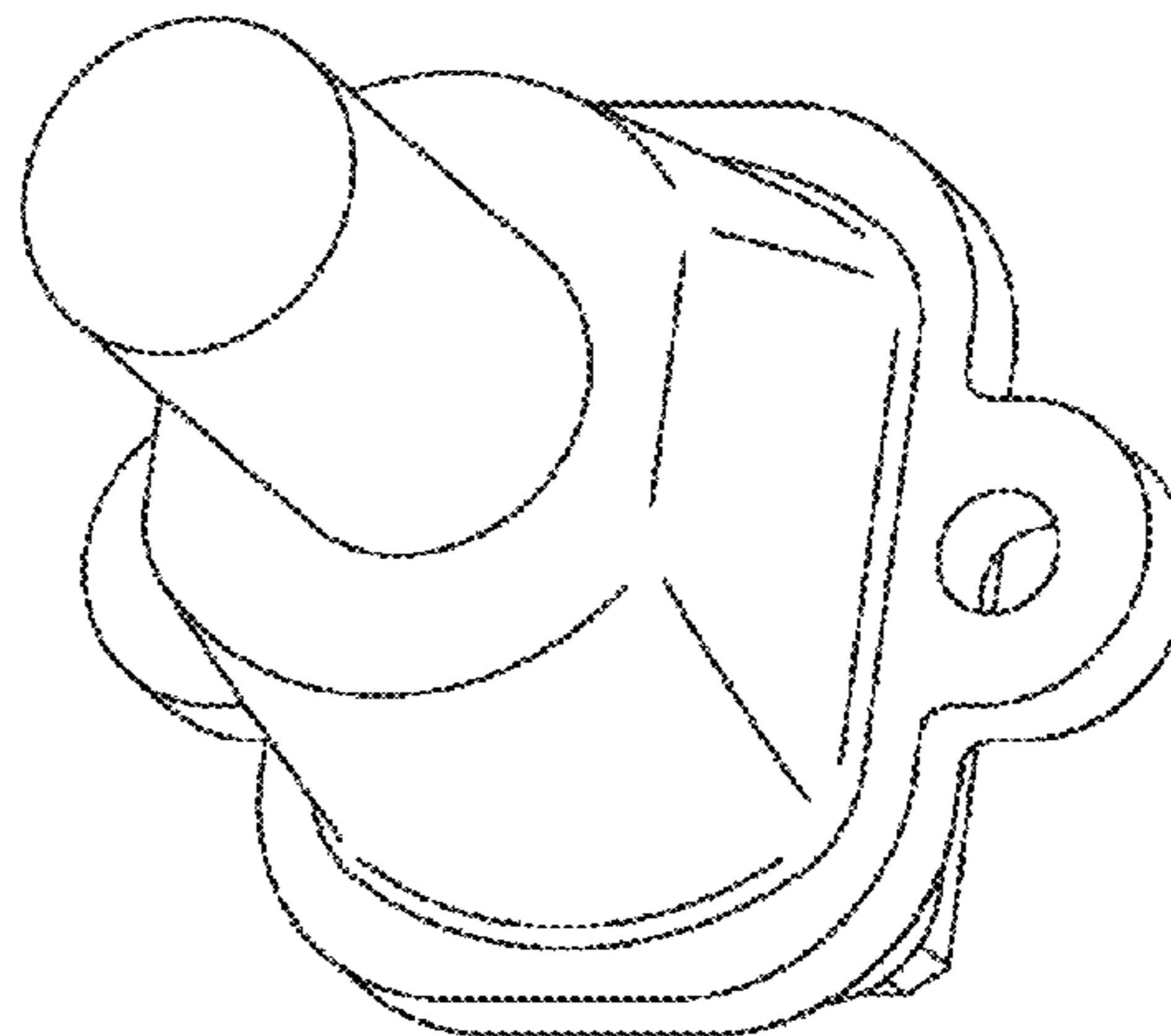
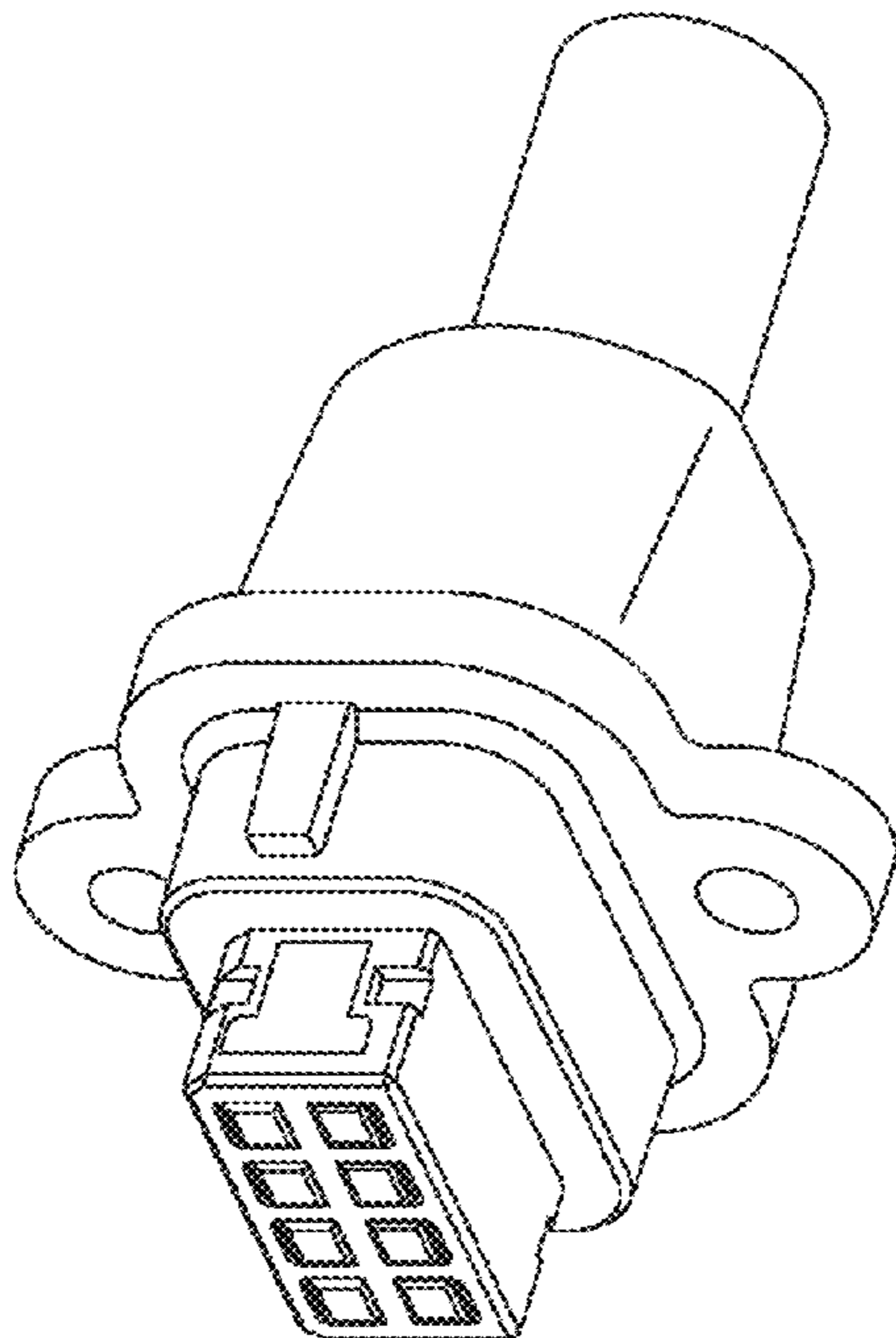
FIG. 5 is a rear elevation view thereof.

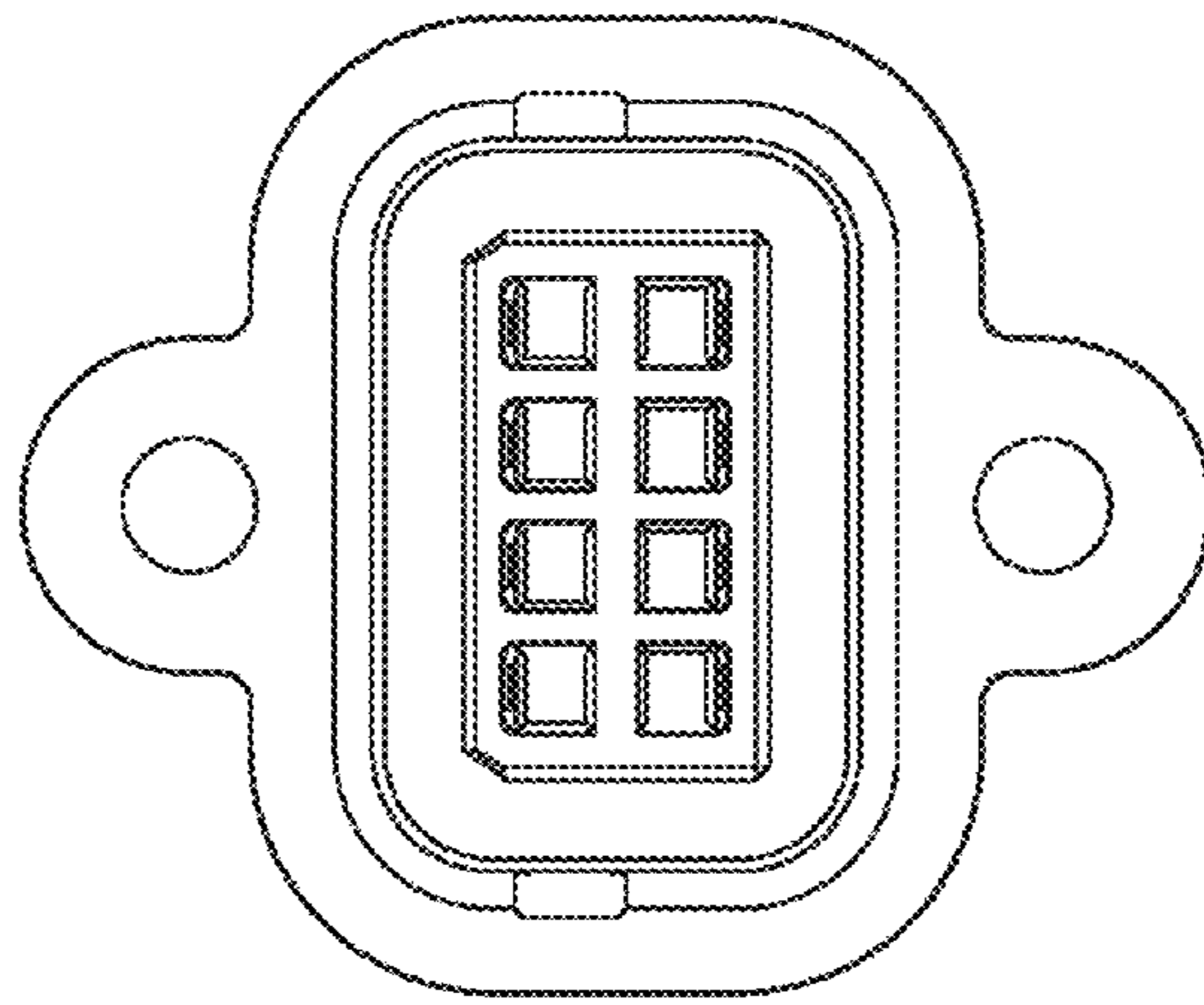
FIG. 6 is a bottom plan view thereof.

FIG. 7 is a front perspective view thereof; and,

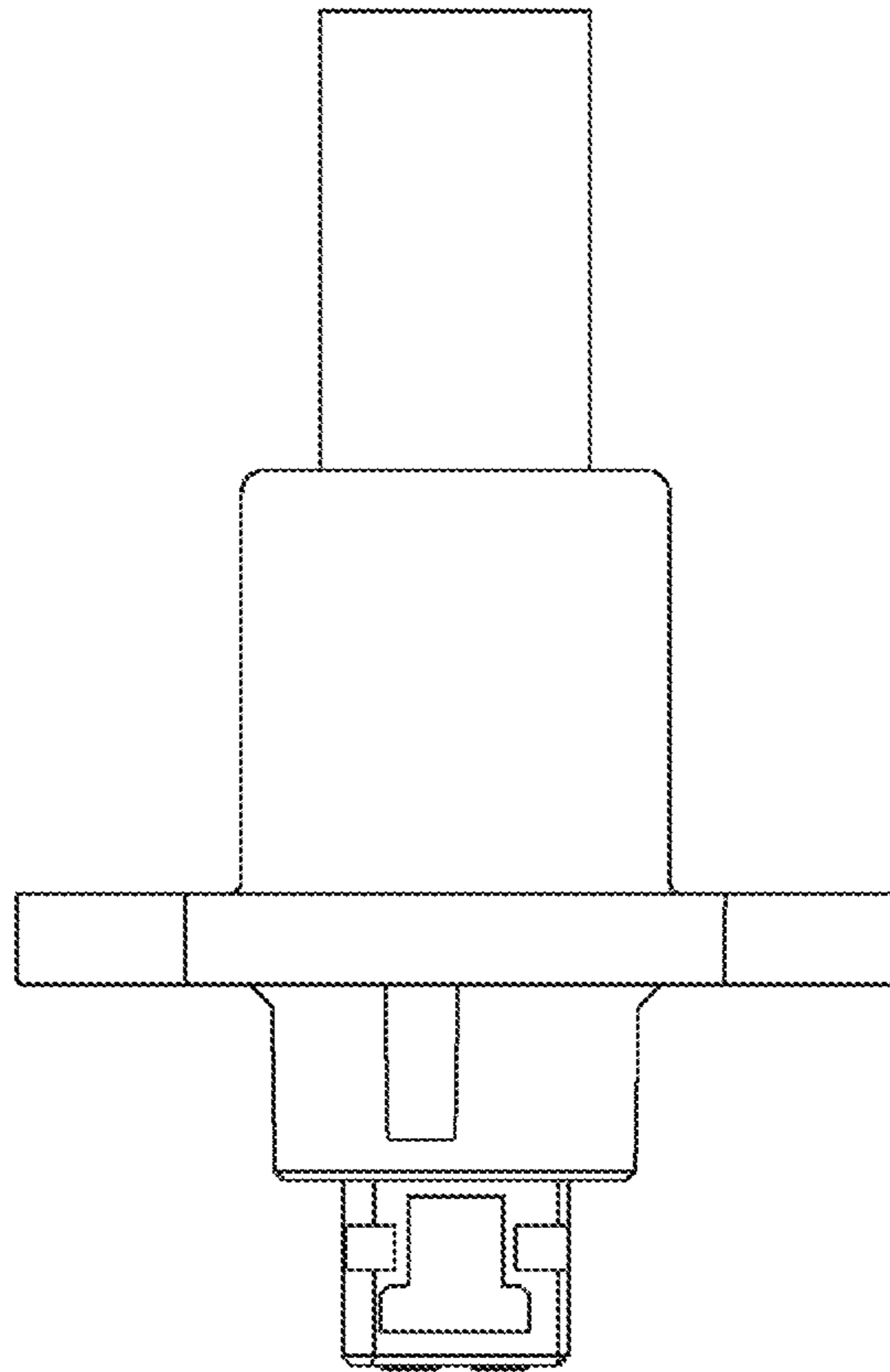
FIG. 8 is a rear perspective view thereof.

**1 Claim, 8 Drawing Sheets**

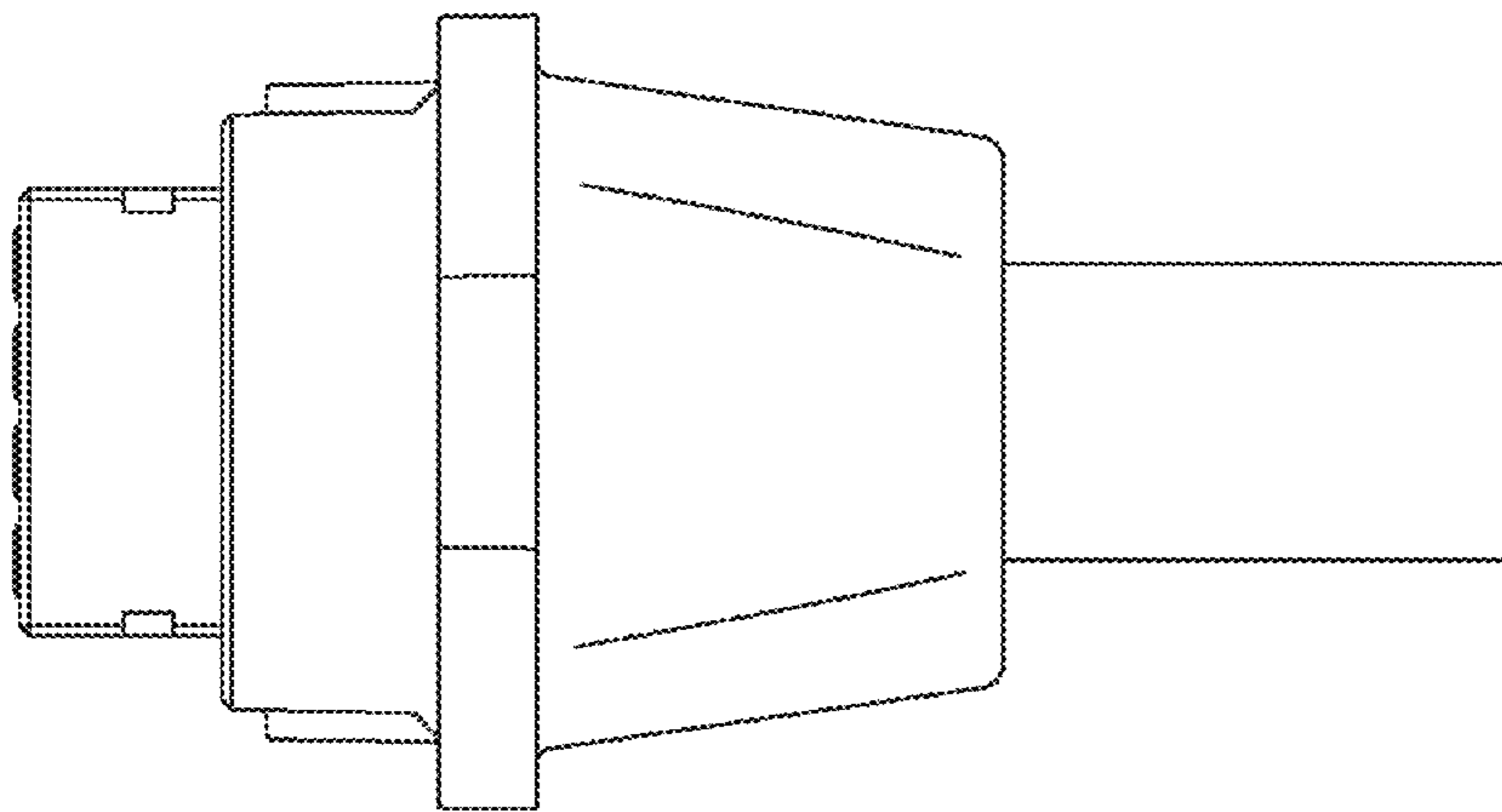




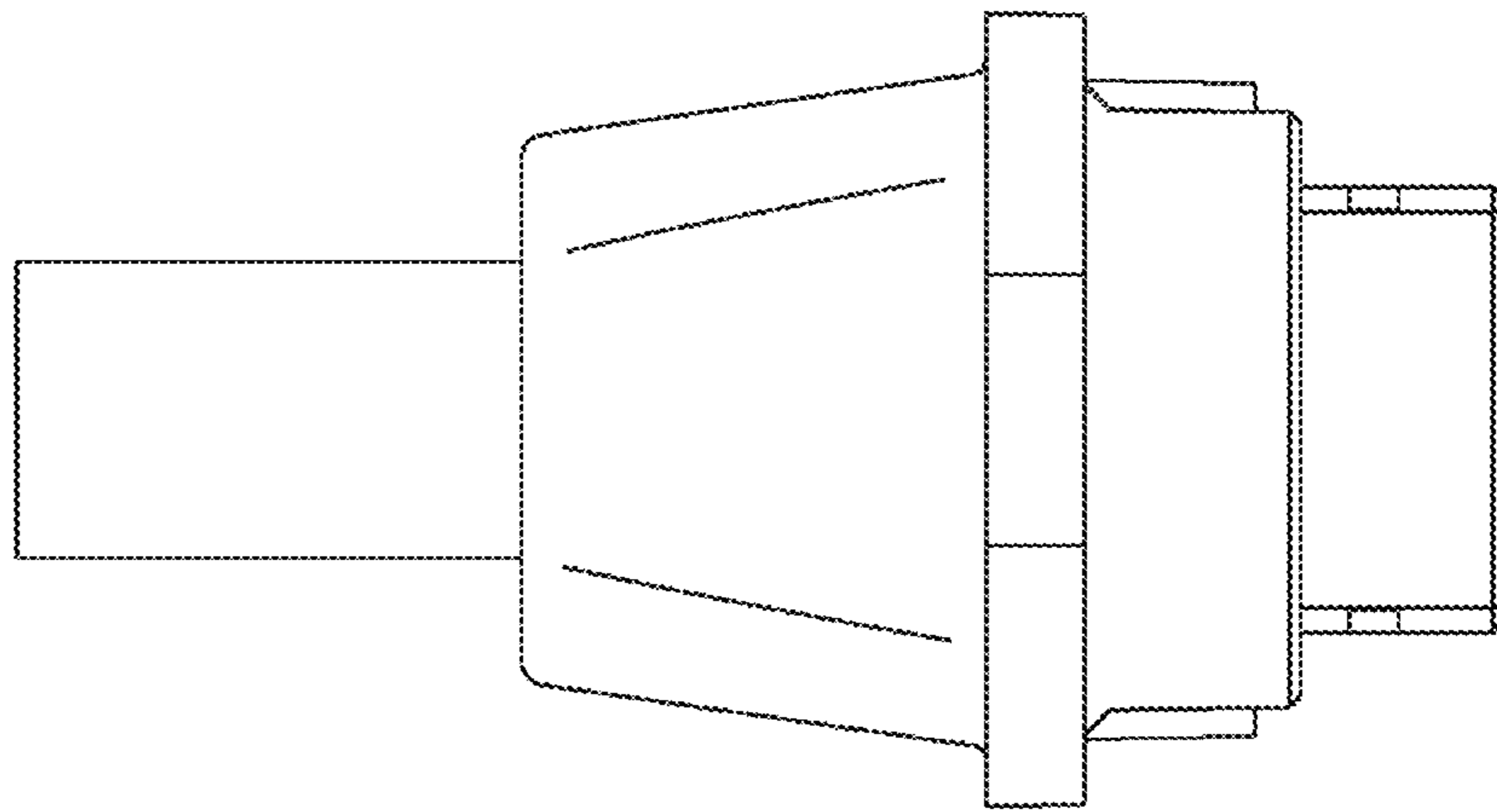
**FIG. 1**



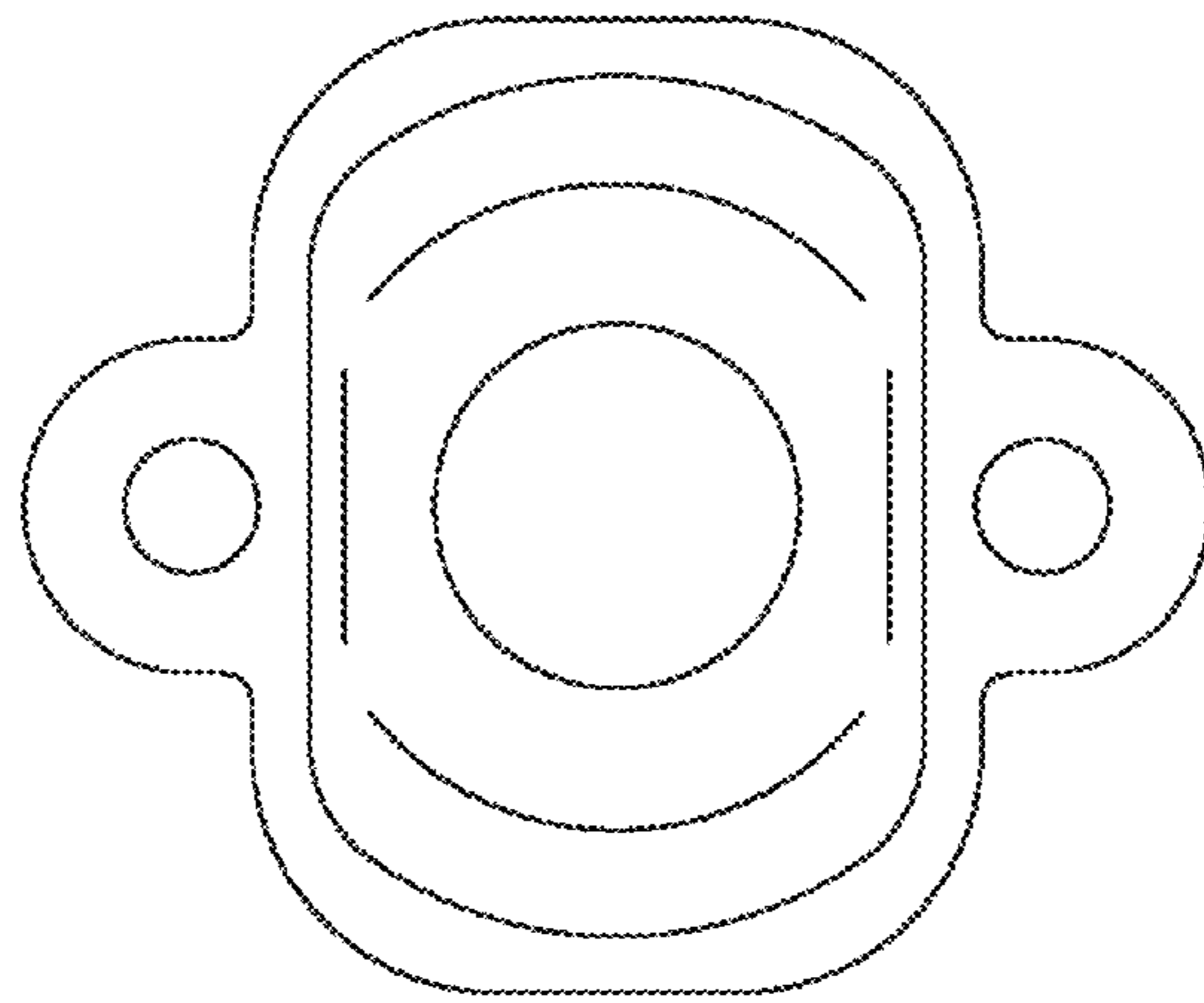
**FIG. 2**



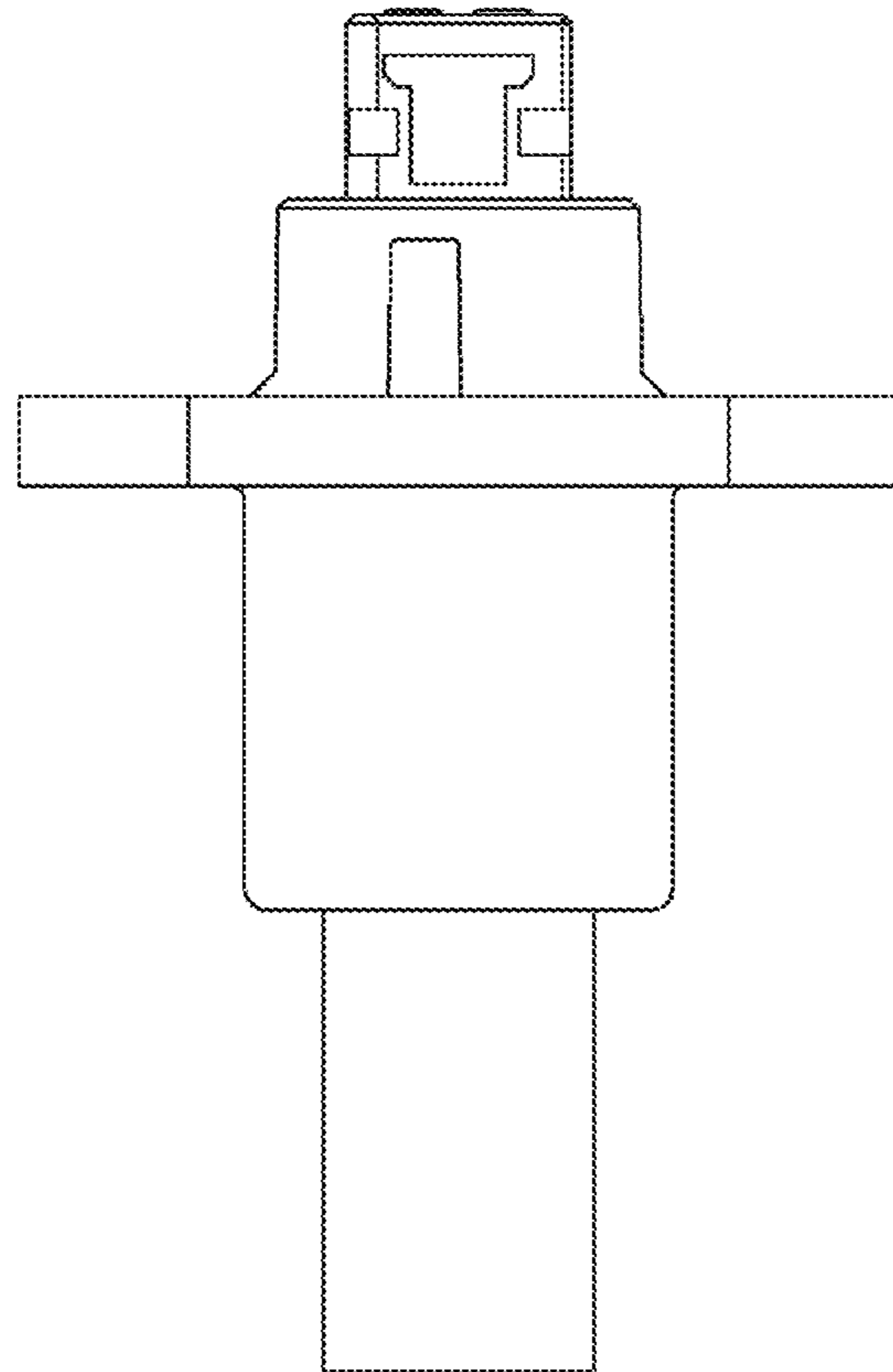
**FIG. 3**



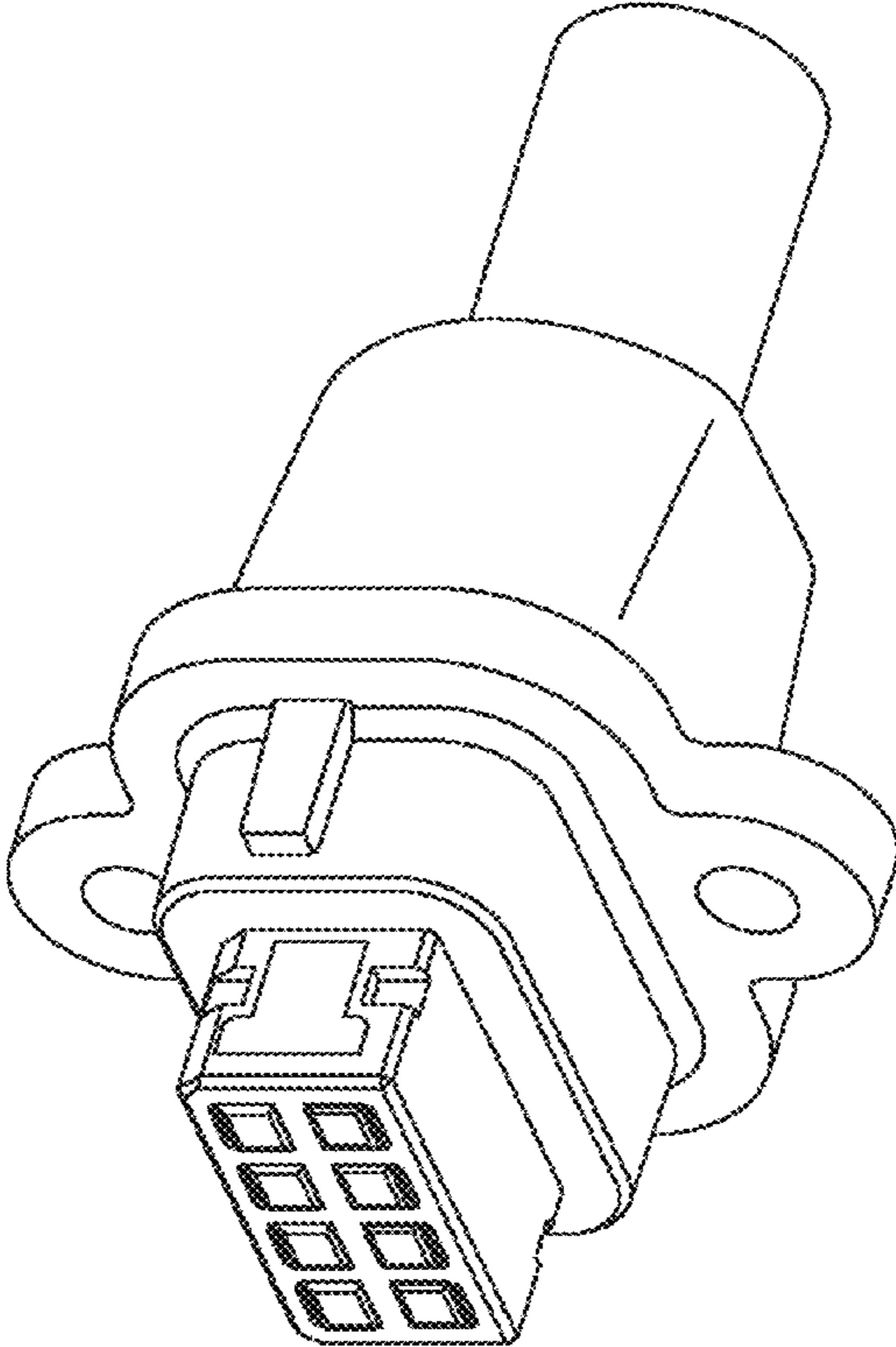
**FIG. 4**



**FIG. 5**

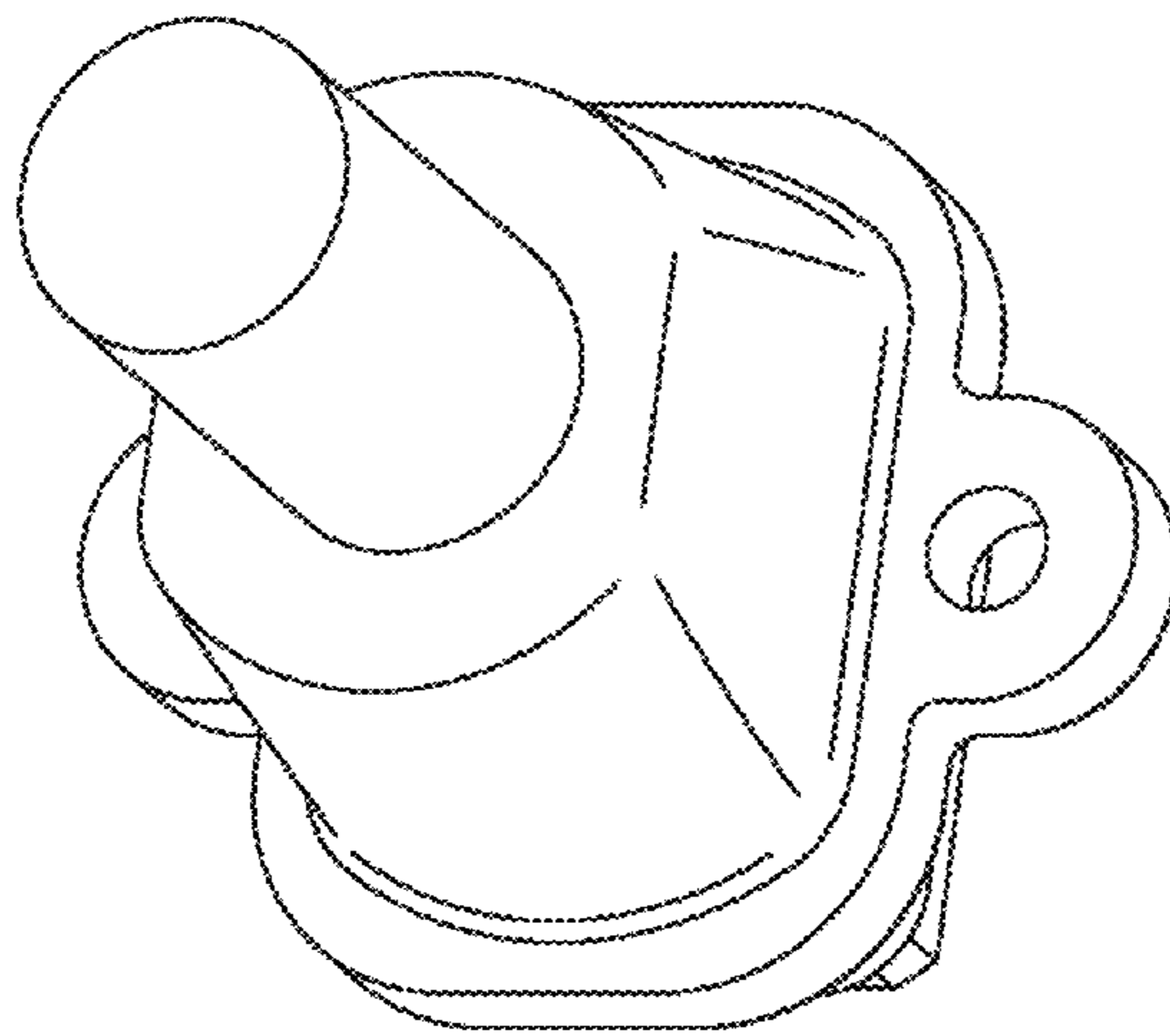


**FIG. 6**



**FIG. 7**





**FIG. 8**