



US00D787446S

(12) **United States Design Patent**
Cockerill

(10) **Patent No.:** **US D787,446 S**

(45) **Date of Patent:** **** May 23, 2017**

(54) **ELECTRICAL CONNECTOR**

(71) Applicant: **GM GLOBAL TECHNOLOGY OPERATIONS LLC**, Detroit, MI (US)

(72) Inventor: **Gregory L. Cockerill**, Rochester Hills, MI (US)

(73) Assignee: **GM Global Technology Operations LLC**, Detroit, MI (US)

(**) Term: **15 Years**

(21) Appl. No.: **29/536,426**

(22) Filed: **Aug. 17, 2015**

(51) **LOC (10) Cl.** **13-03**

(52) **U.S. Cl.**
USPC **D13/147; D13/146**

(58) **Field of Classification Search**
USPC D13/146, 147, 154, 184, 199
CPC H01R 13/44; H01R 13/58; H01R 13/62;
H01R 13/625; H01R 13/627; H01R
13/639; H01R 13/64; H01R 13/641;
H01R 13/6683

See application file for complete search history.

(56) **References Cited**

U.S. PATENT DOCUMENTS

D161,900 S * 2/1951 Burt et al. D13/146
D328,281 S * 7/1992 Nociar D13/146

D335,122 S * 4/1993 Hughes D13/146
D370,204 S * 5/1996 Kittridge D13/146
2014/0085776 A1* 3/2014 Fischer H01R 25/00
361/601

* cited by examiner

Primary Examiner — Daniel Bui

(74) *Attorney, Agent, or Firm* — Reising Ethington P.C.

(57) **CLAIM**

The ornamental design for an electrical connector, as shown and described.

DESCRIPTION

FIG. 1 is a perspective view of an electrical connector showing our new design.

FIG. 2 is a rear elevation view thereof;

FIG. 3 is a front elevation view thereof;

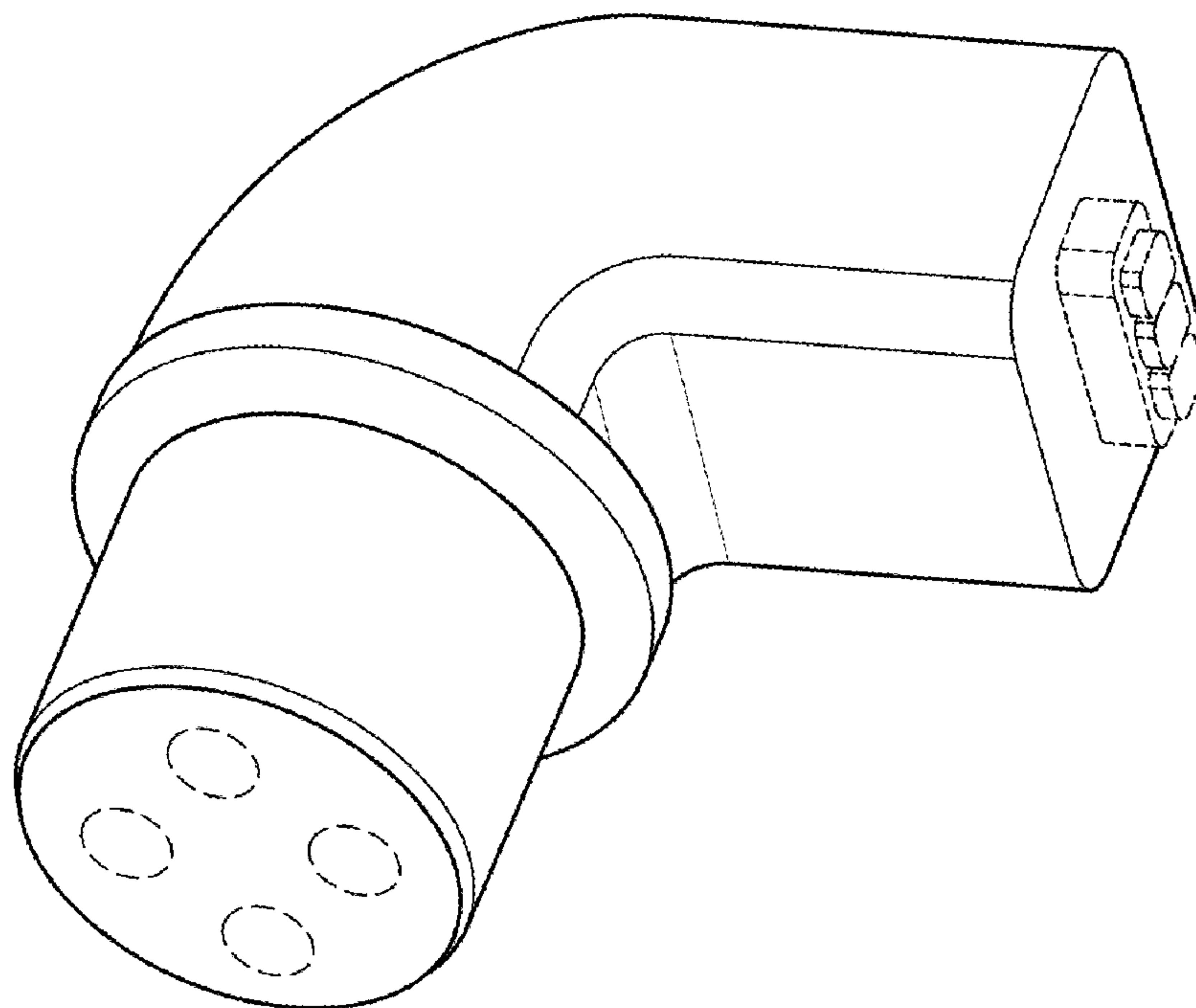
FIG. 4 is a top plan view thereof;

FIG. 5 is a side elevation view thereof; and,

FIG. 6 is a bottom view thereof.

The broken lines shown in the drawings depict unclaimed portions of the electrical connector and forms no part of the claimed design.

1 Claim, 2 Drawing Sheets



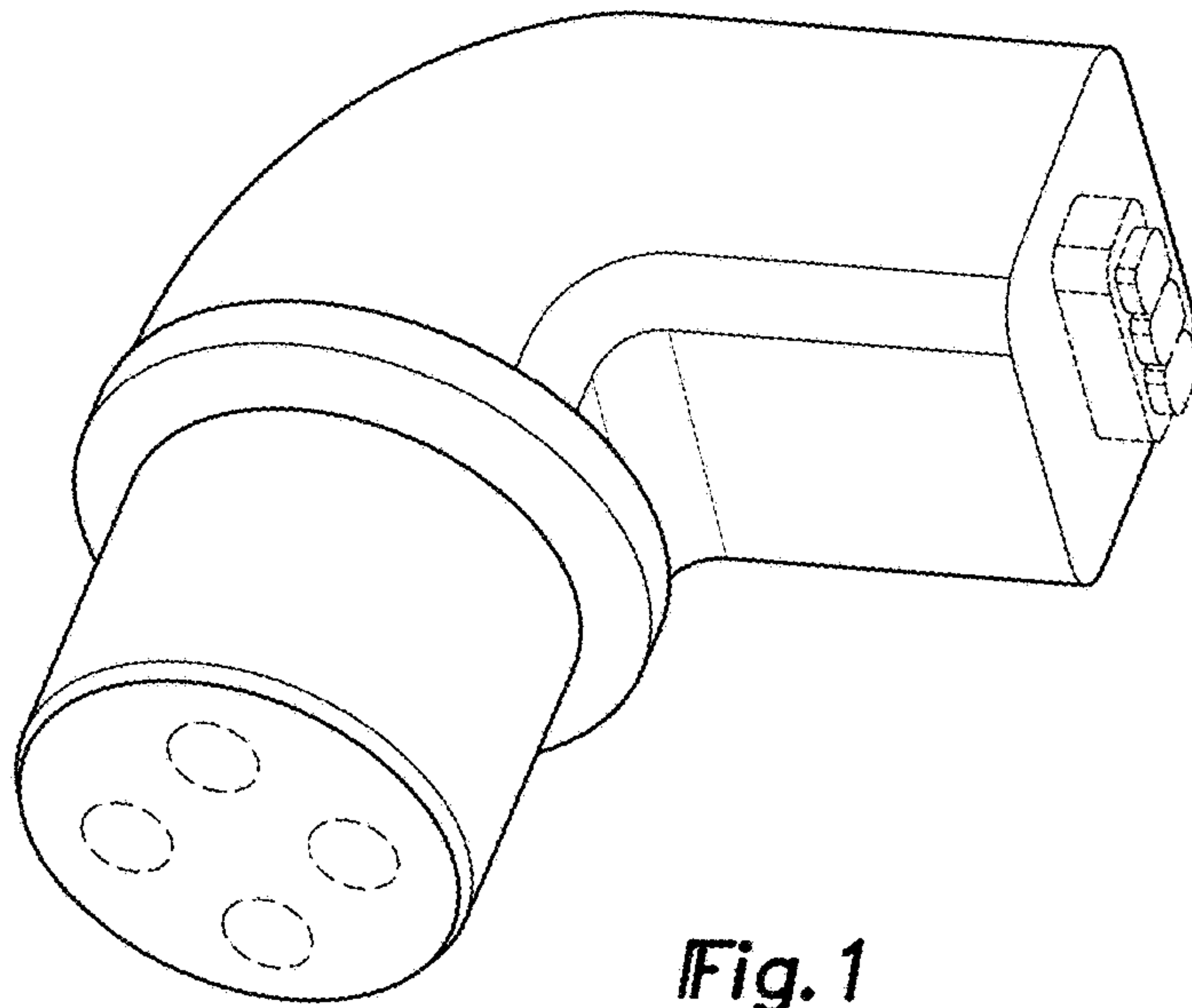


Fig. 1

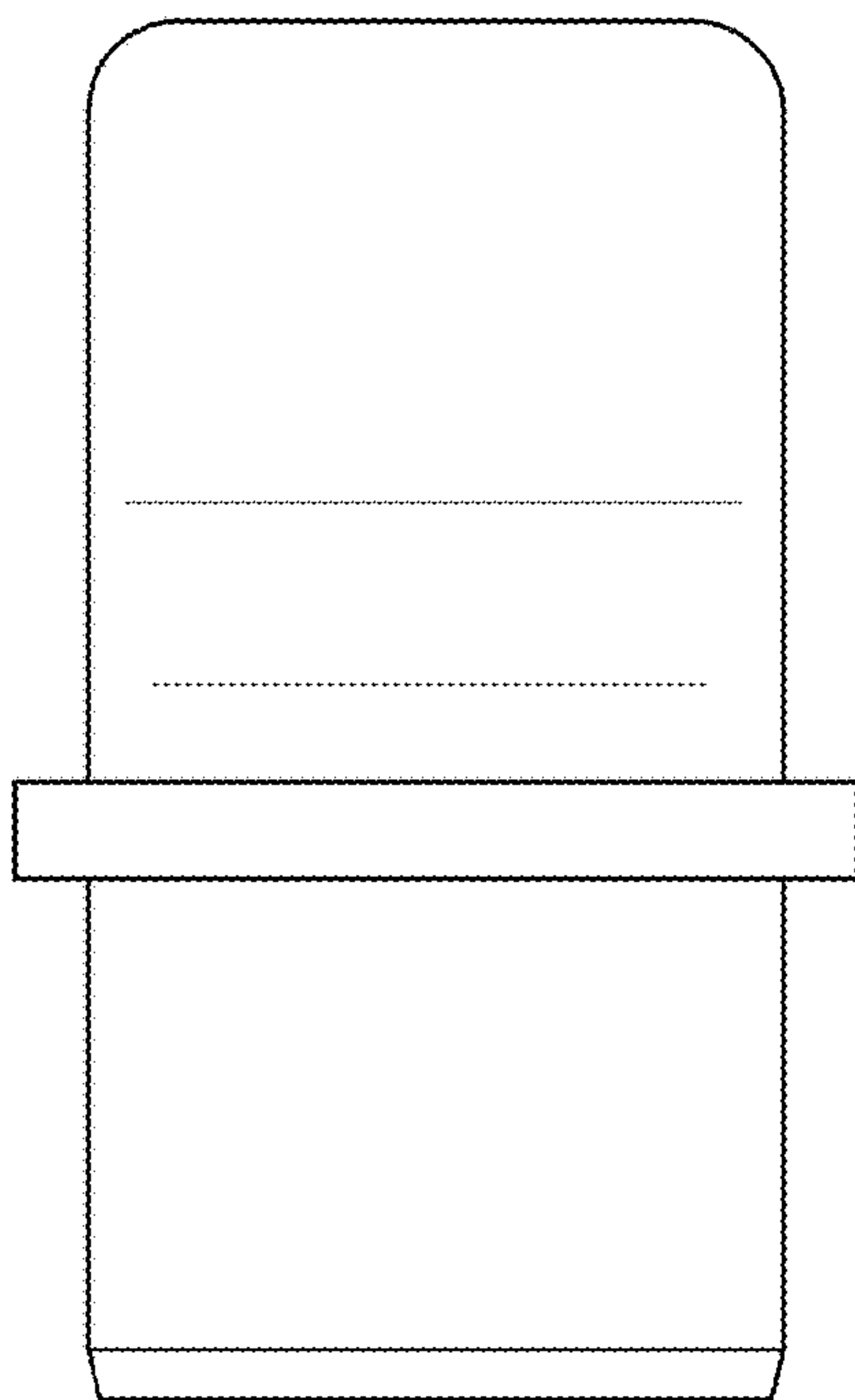


Fig. 2

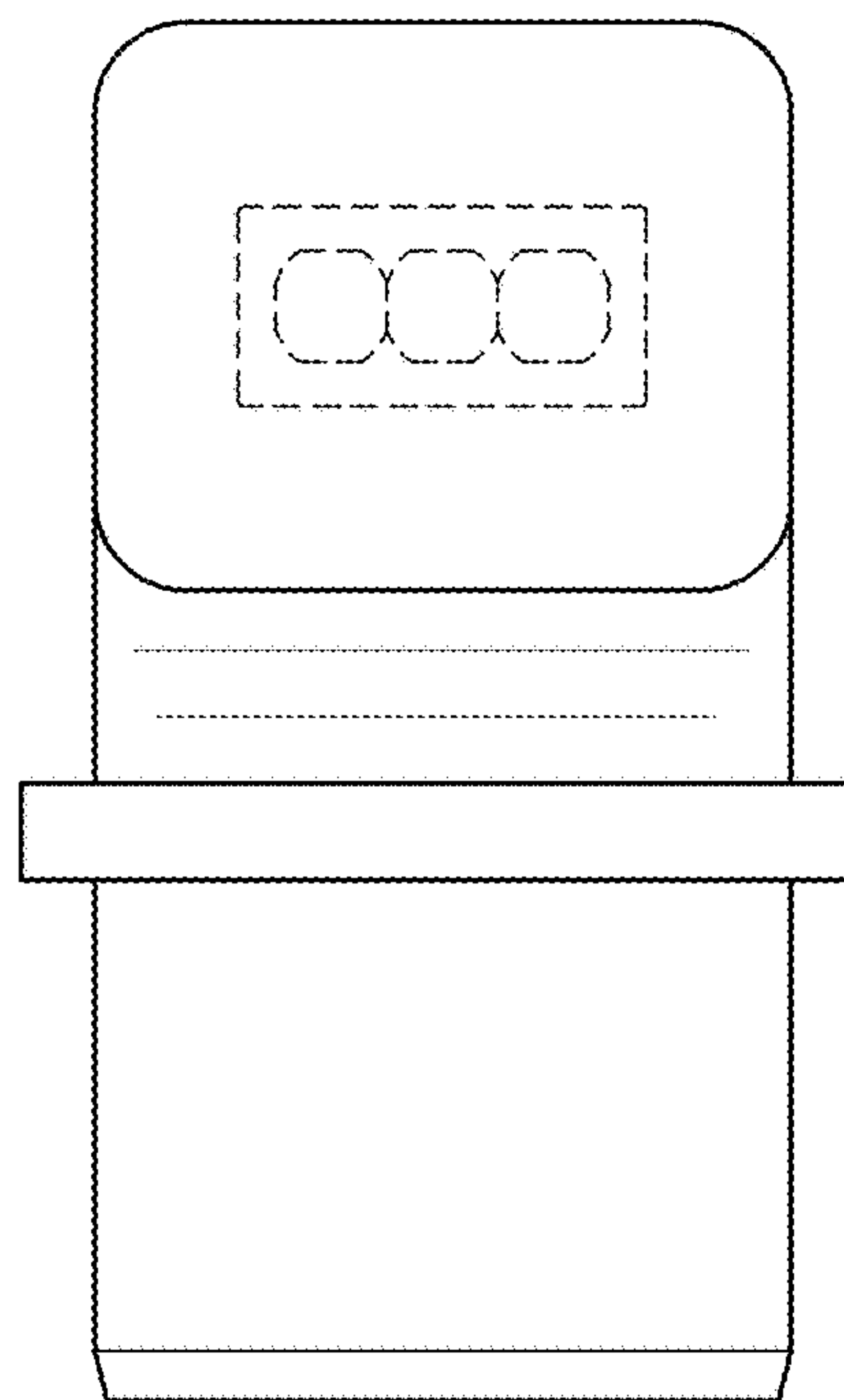


Fig. 3

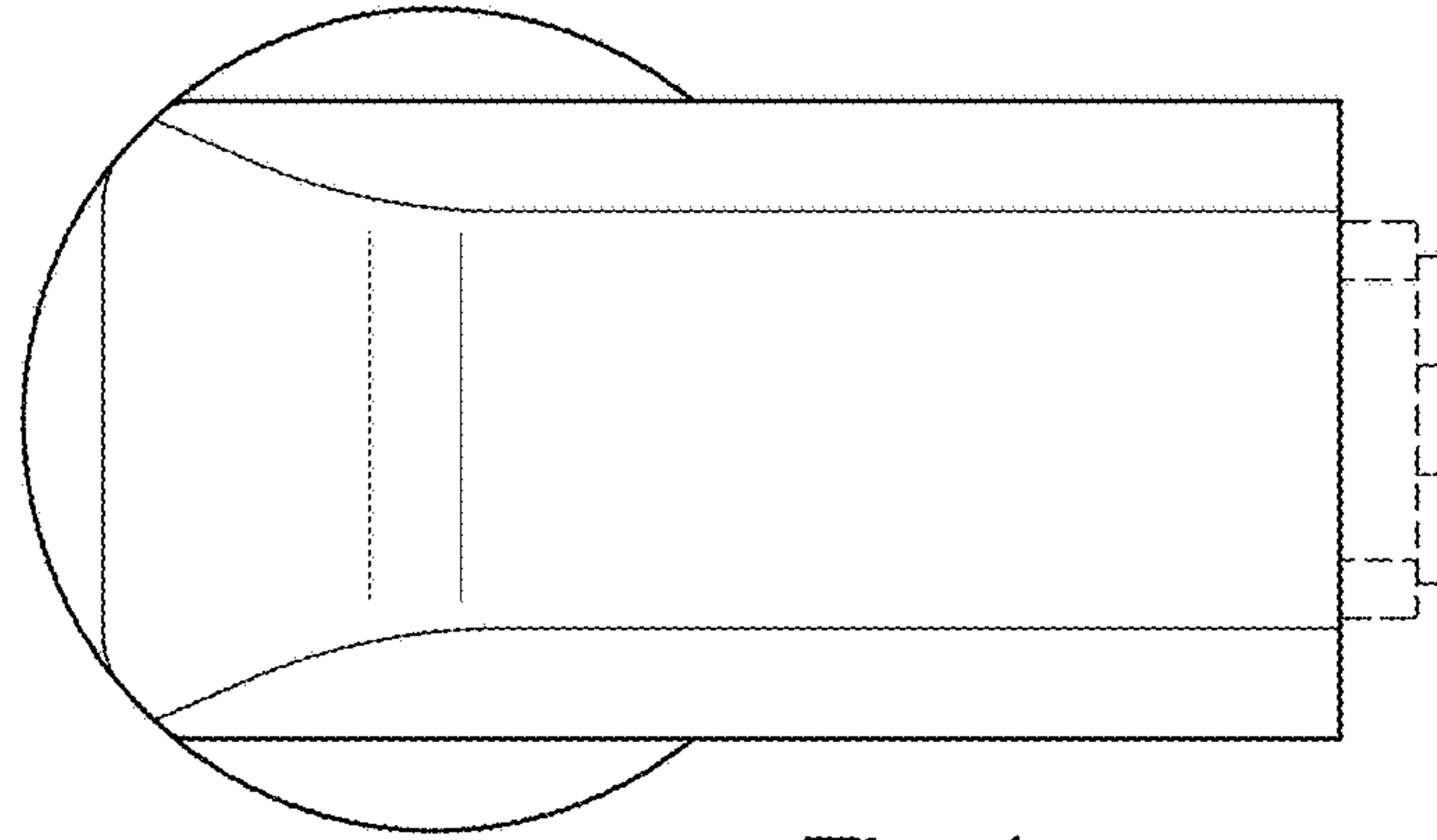


Fig. 4

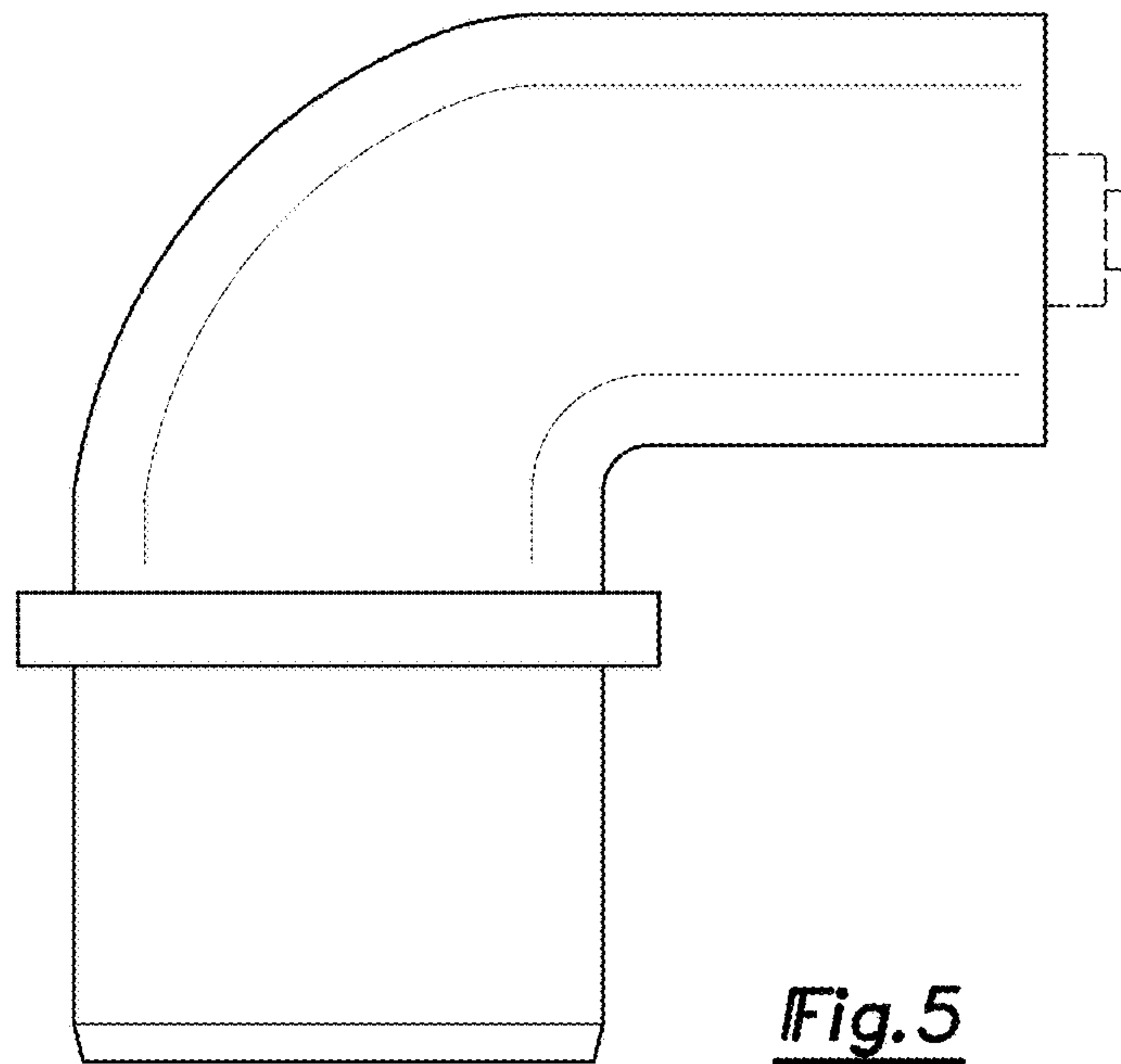


Fig. 5

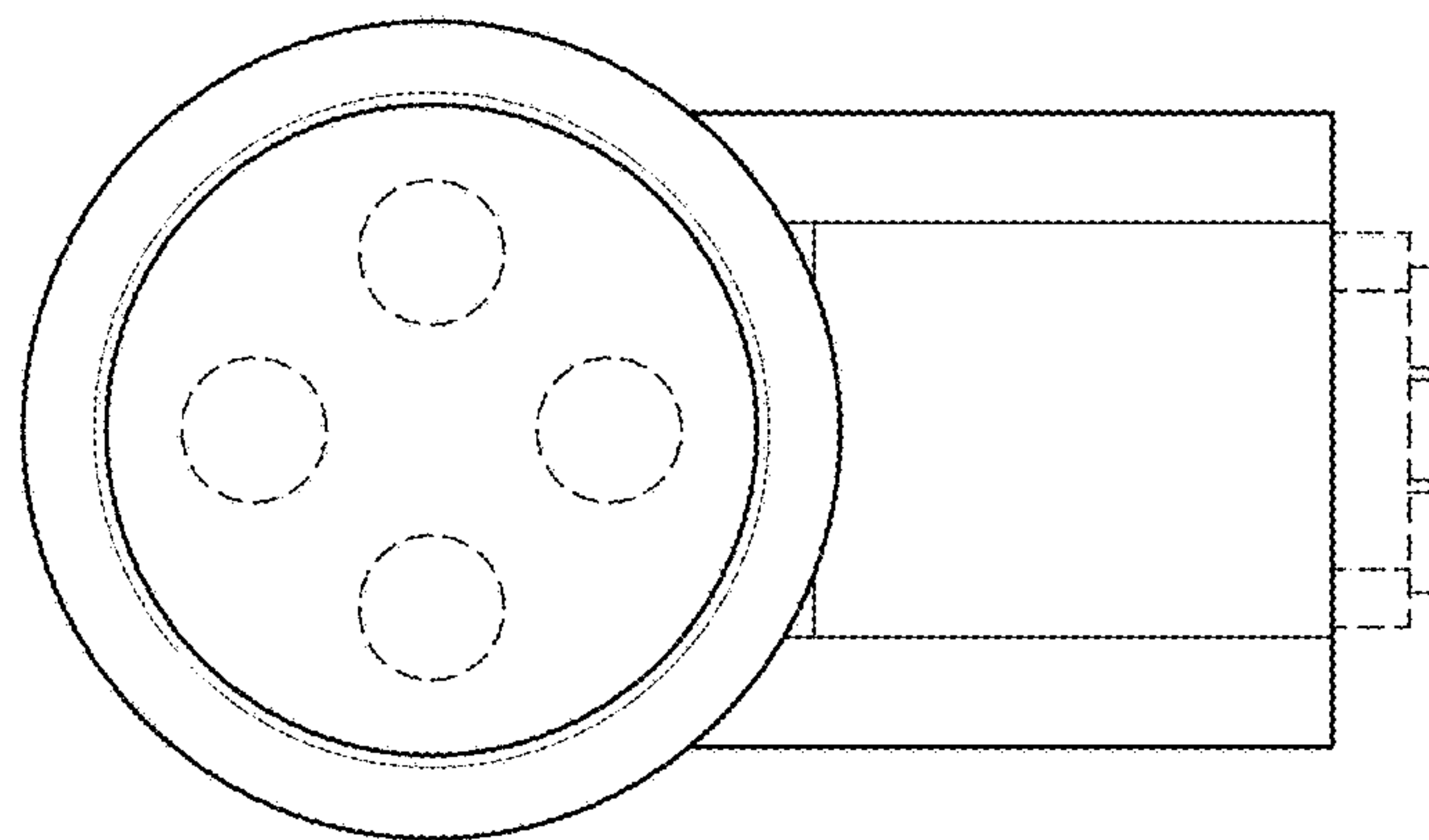


Fig. 6