



US00D787444S

(12) **United States Design Patent**
Reese et al.

(10) **Patent No.:** **US D787,444 S**

(45) **Date of Patent:** **** May 23, 2017**

(54) **CONNECTOR**

(71) Applicant: **Multi-Holding AG**, Allschwil (CH)

(72) Inventors: **Joerg Reese**, Castrop-Rauxel (DE);
Joerg Doering, Herdecke (DE)

(73) Assignee: **Multi-Holding AG**, Allschwil (CH)

(**) Term: **15 Years**

(21) Appl. No.: **29/543,790**

(22) Filed: **Oct. 28, 2015**

(30) **Foreign Application Priority Data**

Apr. 29, 2015 (WO) 889775101

(51) **LOC (10) Cl.** **13-03**

(52) **U.S. Cl.**
USPC **D13/133**

(58) **Field of Classification Search**
USPC D13/118, 123, 133, 148–150, 153–156,
D13/173, 184, 199; D8/349, 354, 382,
D8/385, 394; D9/695–697; D21/711;
D22/116; D24/124, 125, 141
CPC A61F 13/20; A61F 13/26; F16L 47/03;
H01R 4/10; H01R 9/00; H01R 12/00;
H01R 13/00; H01R 13/04; H01R 13/05;
H01R 13/35; H01R 13/42; H05K 3/30
See application file for complete search history.

(56) **References Cited**

U.S. PATENT DOCUMENTS

1,376,735 A 5/1921 Stalhane
D205,355 S * 7/1966 Rosner et al. D13/156
3,969,012 A 7/1976 Bauer
D324,992 S * 3/1992 Ono D13/154
5,279,541 A * 1/1994 Frayman A61F 13/26
604/11
5,885,115 A * 3/1999 Stillie H01R 9/091
439/752.5

D418,814 S * 1/2000 Byrne D13/146
D436,929 S * 1/2001 Kane D13/156
6,450,985 B1 * 9/2002 Schoelling A61F 13/26
604/15
D475,022 S * 5/2003 Kihira D13/133
D625,985 S * 10/2010 Mori H02G 3/32
D8/356
D626,650 S * 11/2010 Edgett D24/141
2006/0228941 A1 10/2006 Abe et al.
2013/0244506 A1 * 9/2013 Endo H01R 4/48
439/825

(Continued)

FOREIGN PATENT DOCUMENTS

GB 2513453 A 10/2014
JP 2006-294475 A 10/2006

Primary Examiner — Thomas Johannes
Assistant Examiner — Shawn T Gingrich

(74) *Attorney, Agent, or Firm* — The Webb Law Firm

(57) **CLAIM**

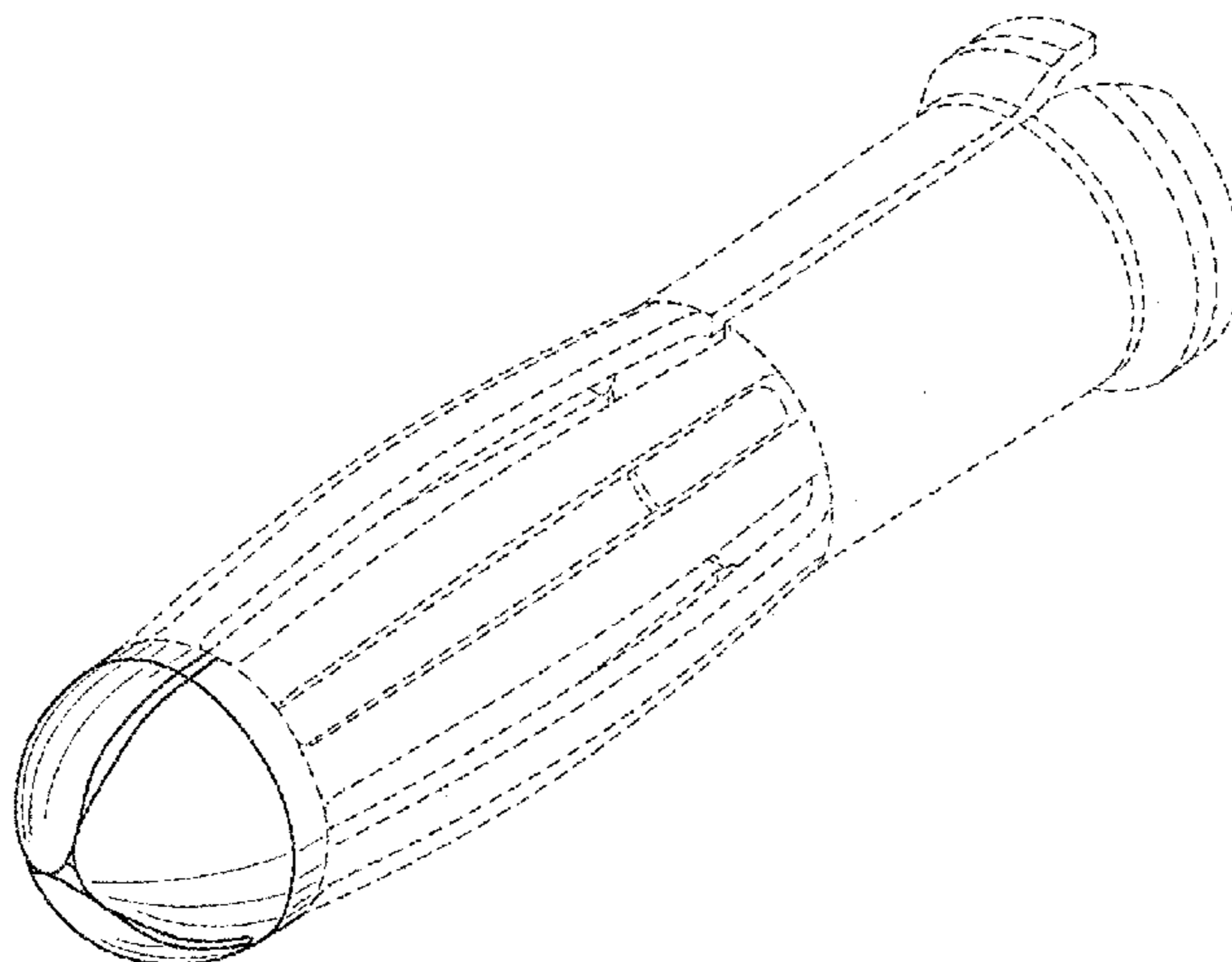
The ornamental design for a connector, as shown and described.

DESCRIPTION

FIG. 1 is a rear perspective view of a connector showing our new design from one end;
FIG. 2 is a front perspective view thereof from the opposite end;
FIG. 3 is a bottom side view thereof;
FIG. 4 is a top view thereof;
FIG. 5 is a left side view thereof;
FIG. 6 is a right side view thereof;
FIG. 7 is a rear view thereof; and,
FIG. 8 is a front view thereof.

The portions of the connector shown in broken lines form no part of the claimed design and are included for environmental purposes only.

1 Claim, 8 Drawing Sheets



(56)

References Cited

U.S. PATENT DOCUMENTS

2014/0335980 A1* 11/2014 Dai A63B 67/18
473/580

* cited by examiner

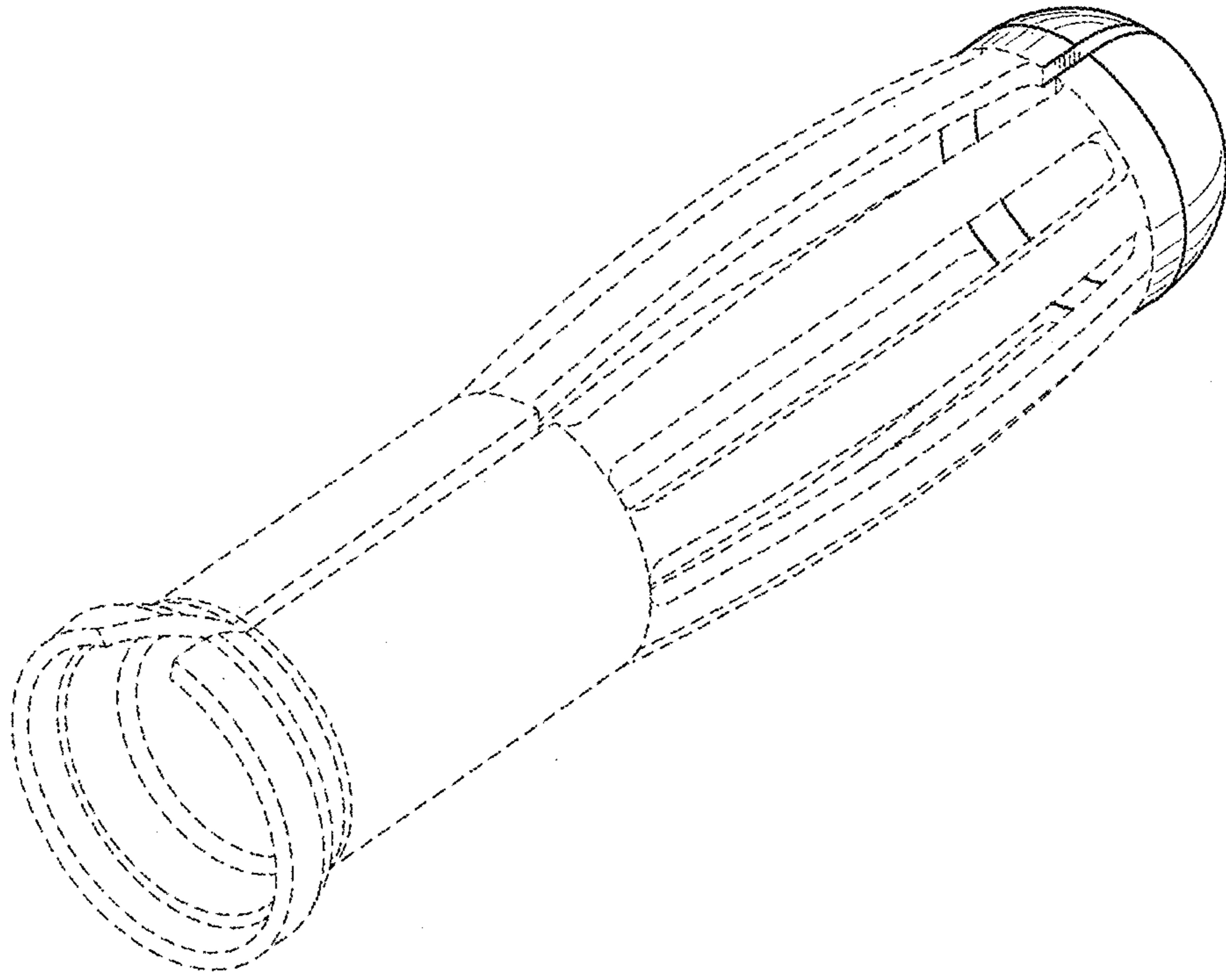


FIG. 1

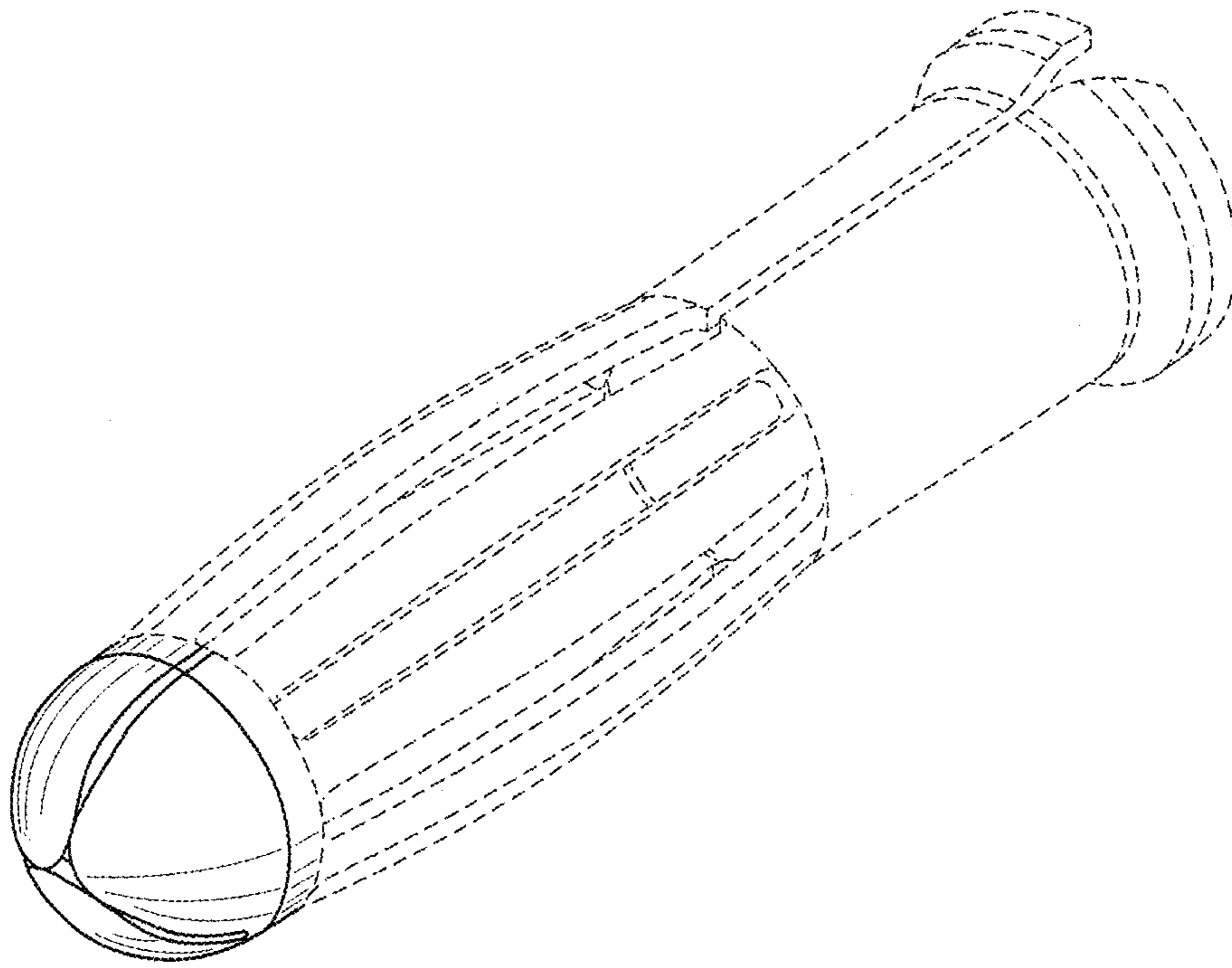


FIG. 2

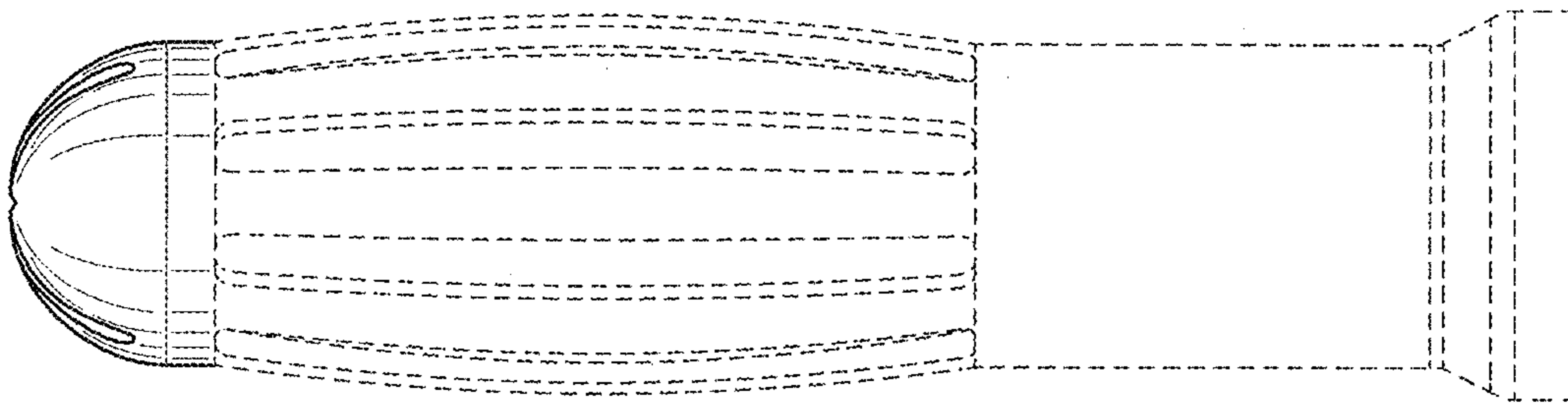


FIG. 3

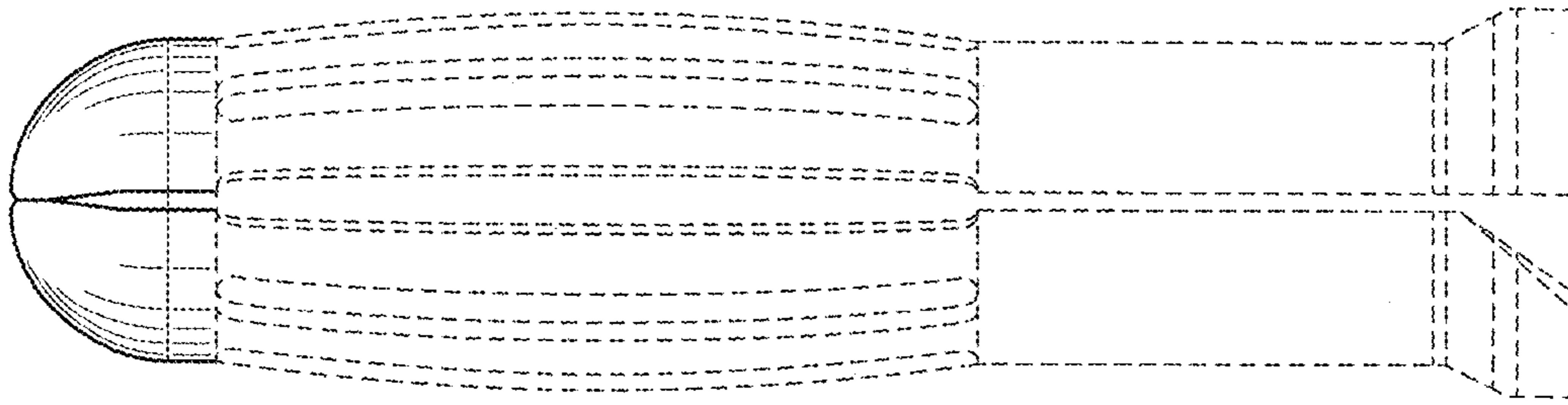


FIG. 4

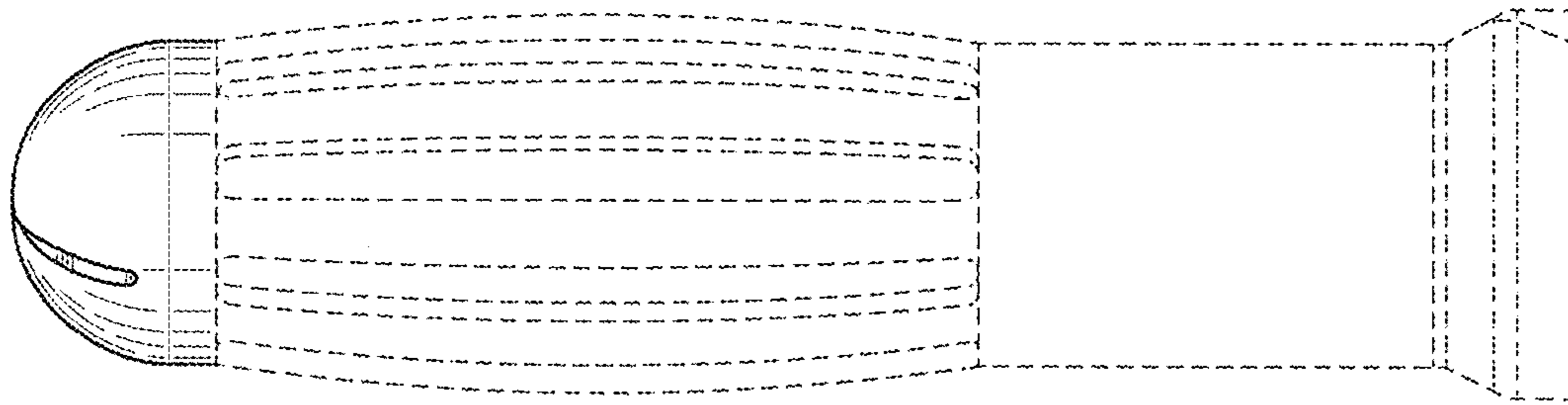


FIG. 5

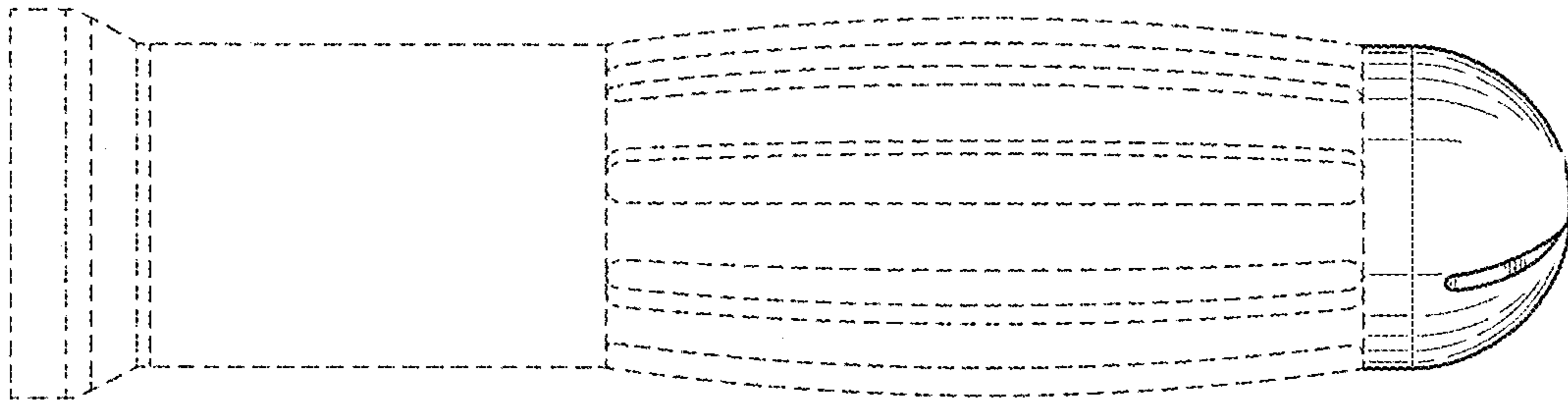


FIG. 6

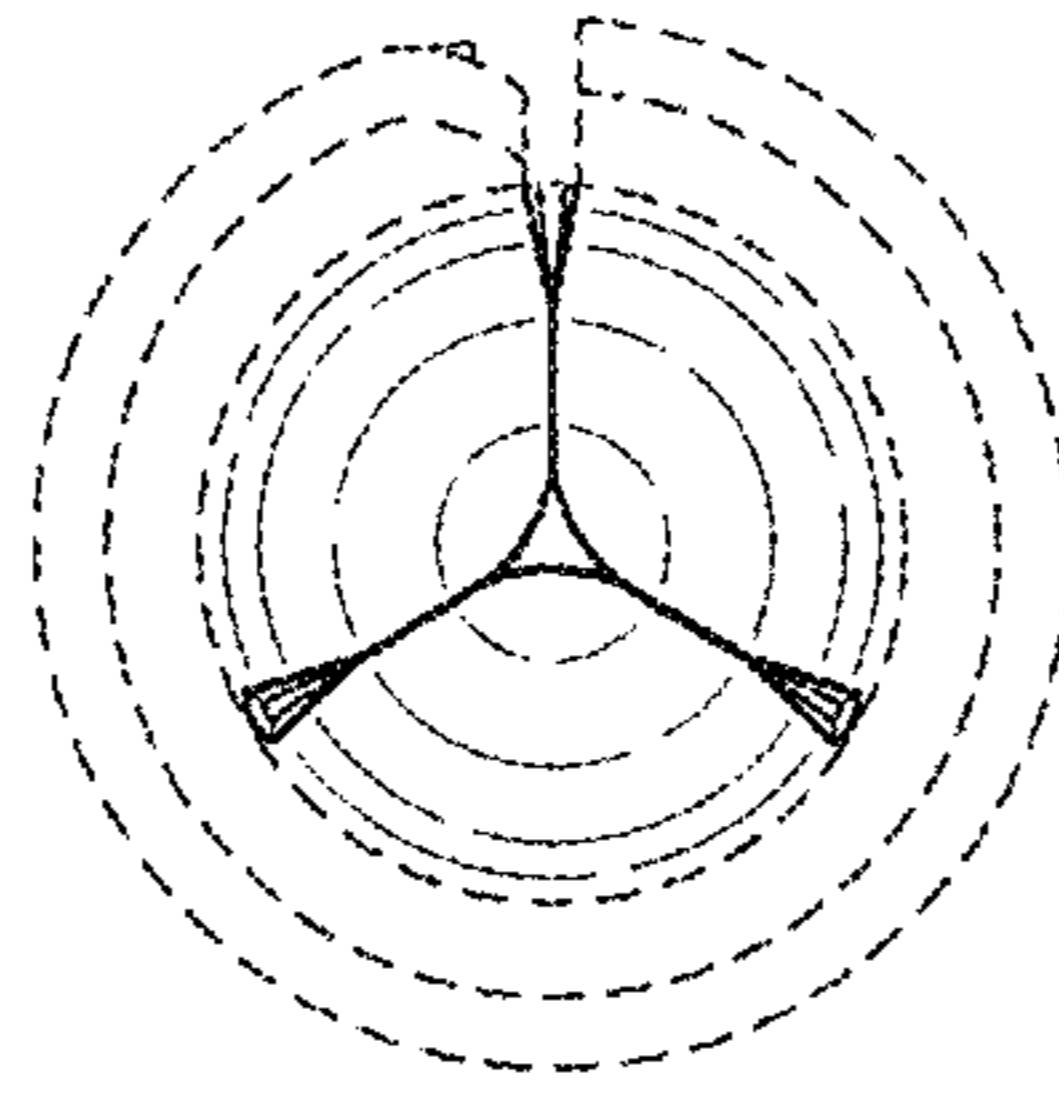


FIG. 7

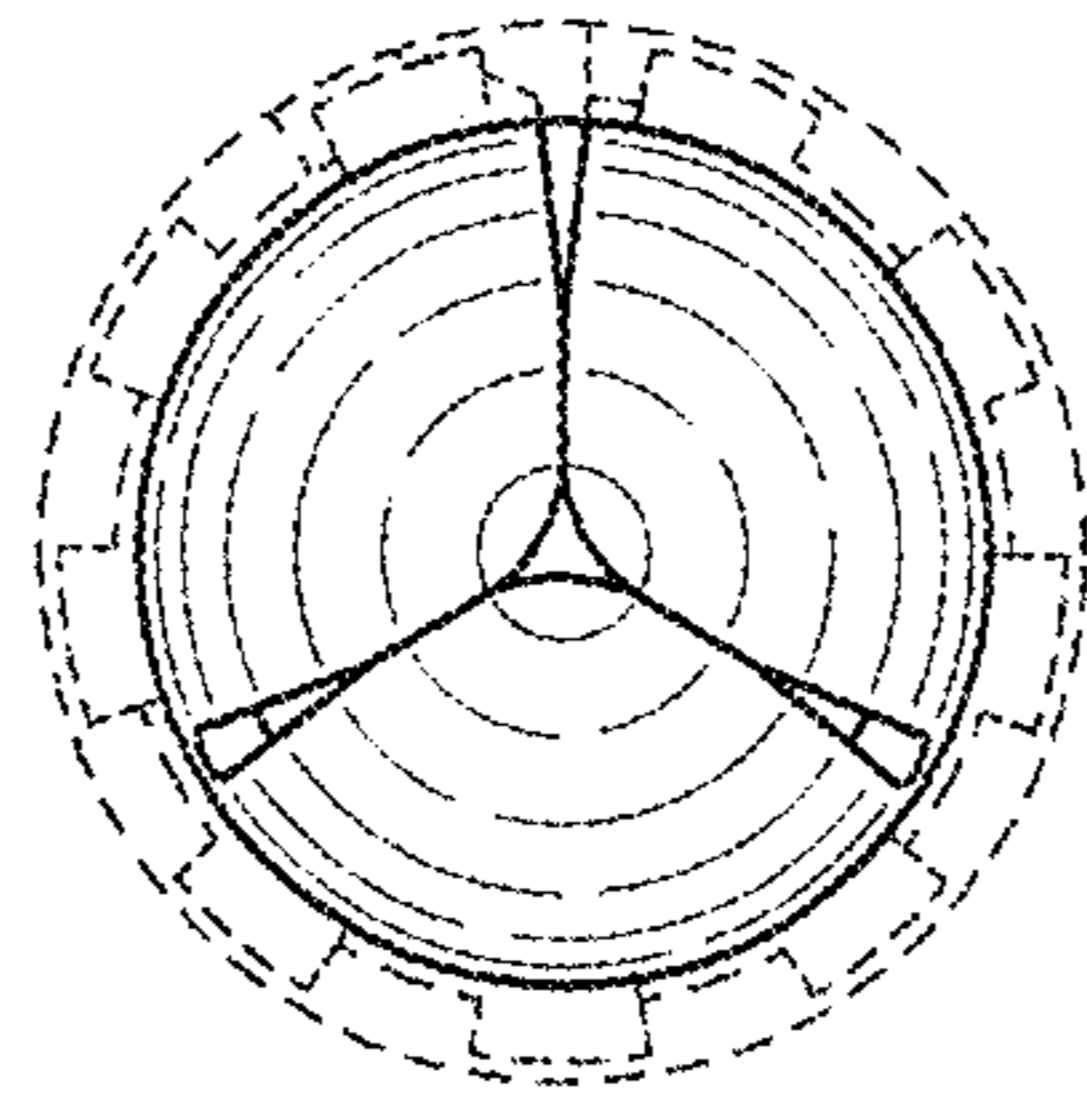


FIG. 8