



US00D787443S

(12) **United States Design Patent**  
**Chiang**

(10) **Patent No.:** **US D787,443 S**

(45) **Date of Patent:** **\*\* May 23, 2017**

(54) **APPARATUS FOR MOBILE POWER SUPPLY**

(71) Applicant: **Getac Technology Corporation,**  
Hsinchu County (TW)

(72) Inventor: **Cheng-Hung Chiang,** Taipei (TW)

(73) Assignee: **GETAC TECHNOLOGY**  
**CORPORATION,** Hsinchu County  
(TW)

(\*\*) Term: **14 Years**

(21) Appl. No.: **29/516,297**

(22) Filed: **Jan. 30, 2015**

(51) **LOC (10) Cl.** ..... **13-02**

(52) **U.S. Cl.**  
USPC ..... **D13/110**

(58) **Field of Classification Search**  
USPC ..... D13/110, 107, 108, 118, 119, 123, 133,  
D13/137.1, 184, 199; D14/242, 251, 432,  
D14/433, 434; 174/53, 54, 59, 61;  
307/11, 150, 151; 320/107, 111, 112,  
320/113, 114, 115; 361/679.01;  
363/142, 146; 439/131, 172, 626, 628,  
439/638  
CPC ..... H01R 31/06; H01R 25/00; H02M 7/003;  
H05K 7/1432; H02J 7/0062  
See application file for complete search history.

(56) **References Cited**

**U.S. PATENT DOCUMENTS**

5,898,256 A \* 4/1999 Ide ..... H03H 9/1021  
310/344  
D446,499 S \* 8/2001 Andre ..... D13/110

D454,110 S \* 3/2002 Andre ..... D13/110  
D463,363 S \* 9/2002 Veino ..... D13/110  
D575,730 S \* 8/2008 Hung ..... D13/110  
D576,100 S \* 9/2008 Wang ..... D13/110  
D617,268 S \* 6/2010 Yen ..... D13/108  
D660,798 S \* 5/2012 Tseng ..... D13/110  
D665,734 S \* 8/2012 Fitch ..... D13/107  
D671,491 S \* 11/2012 Zaslavsky ..... D13/110  
D678,191 S \* 3/2013 Fitch ..... D13/108  
D686,988 S \* 7/2013 Fawkes ..... D13/110  
D693,768 S \* 11/2013 Alesi ..... D13/110  
D696,195 S \* 12/2013 Wen ..... D13/110  
D705,724 S \* 5/2014 Yu ..... D13/108  
D716,729 S \* 11/2014 Kelly ..... D13/110  
D743,889 S \* 11/2015 Lyles ..... D13/110

\* cited by examiner

*Primary Examiner* — Derrick Holland

(74) *Attorney, Agent, or Firm* — Locke Lord LLP; Tim  
Tingkang Xia, Esq.

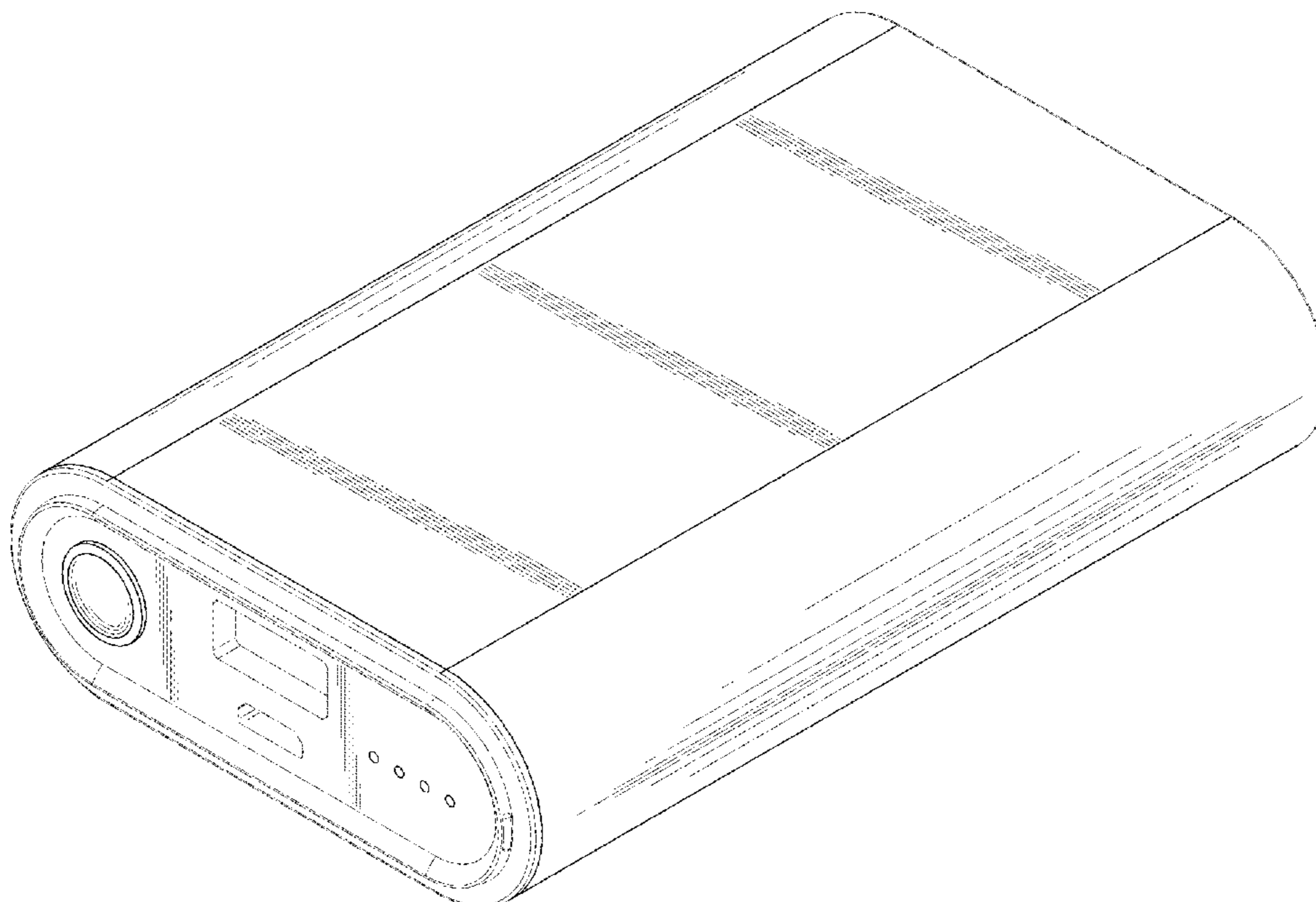
(57) **CLAIM**

The ornamental design for an apparatus for mobile power supply, as shown and described.

**DESCRIPTION**

FIG. 1 is a top, front, and right perspective view of an apparatus for mobile power supply showing my new design; FIG. 2 is a bottom, front, and left perspective view thereof; FIG. 3 is a top, rear, and left perspective view thereof; FIG. 4 is a front view thereof; FIG. 5 is a rear view thereof; FIG. 6 is a left side view thereof; FIG. 7 is a right side view thereof; FIG. 8 is a top plan view thereof; and, FIG. 9 is a bottom plan view thereof.

**1 Claim, 7 Drawing Sheets**



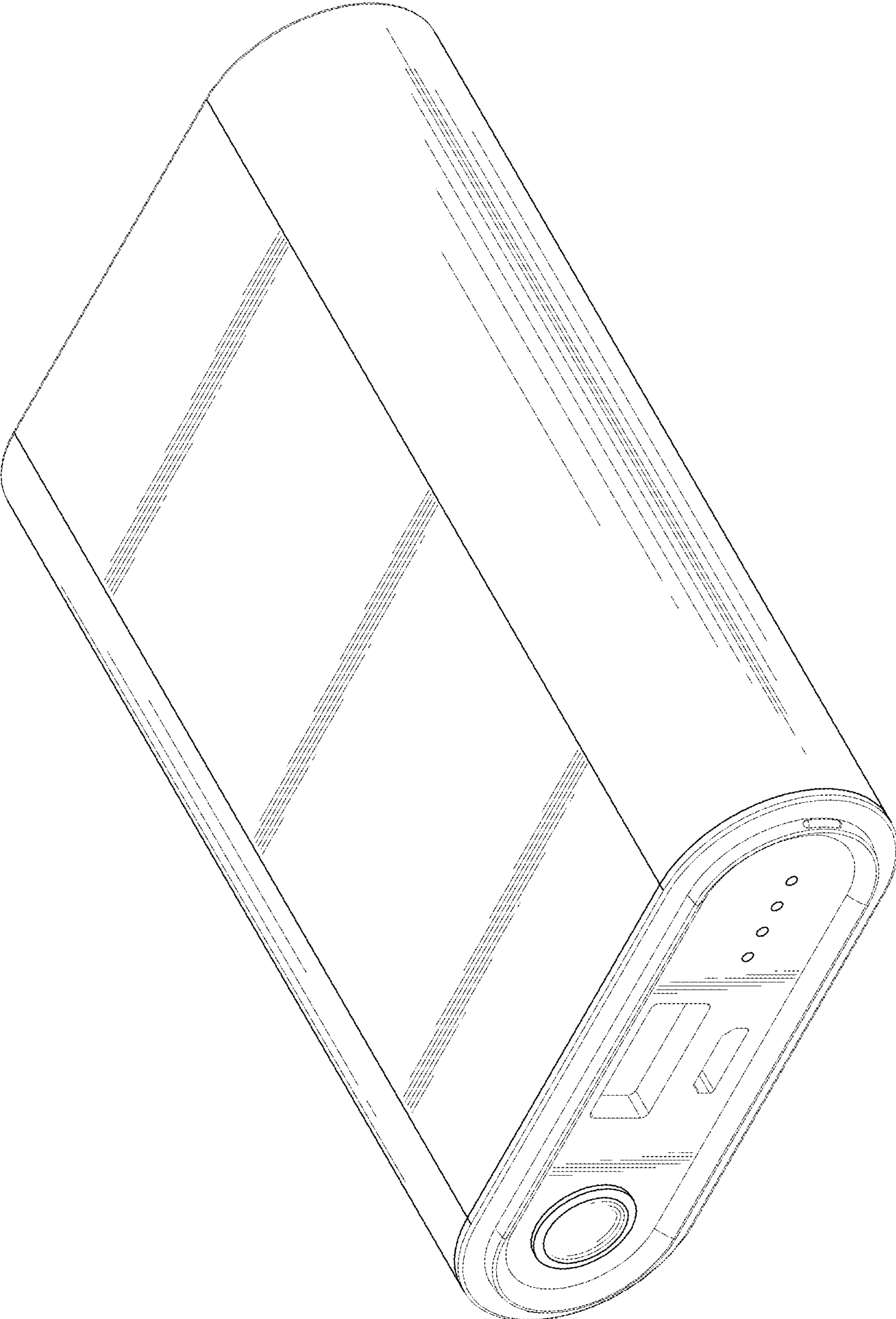


FIG.1

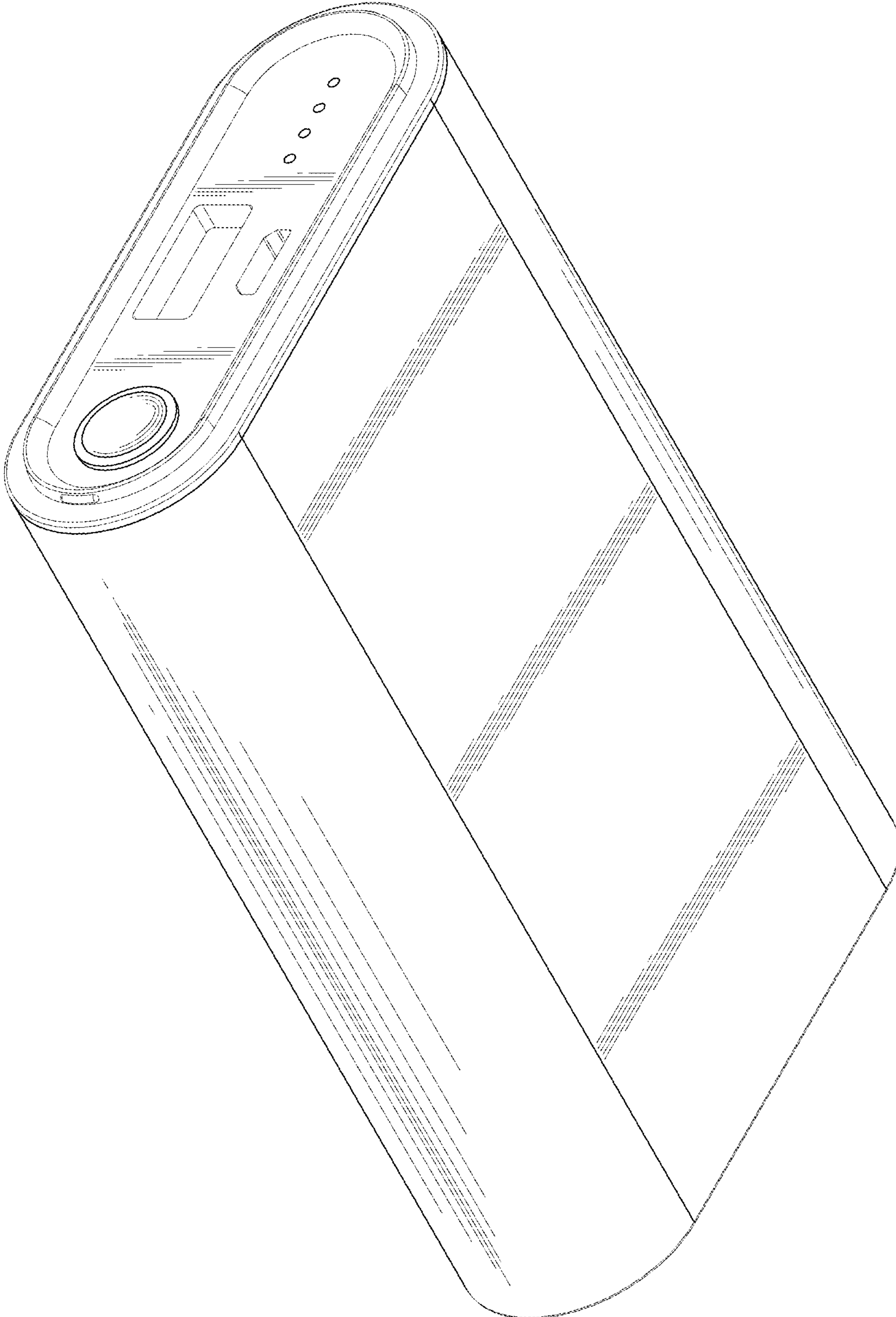


FIG.2



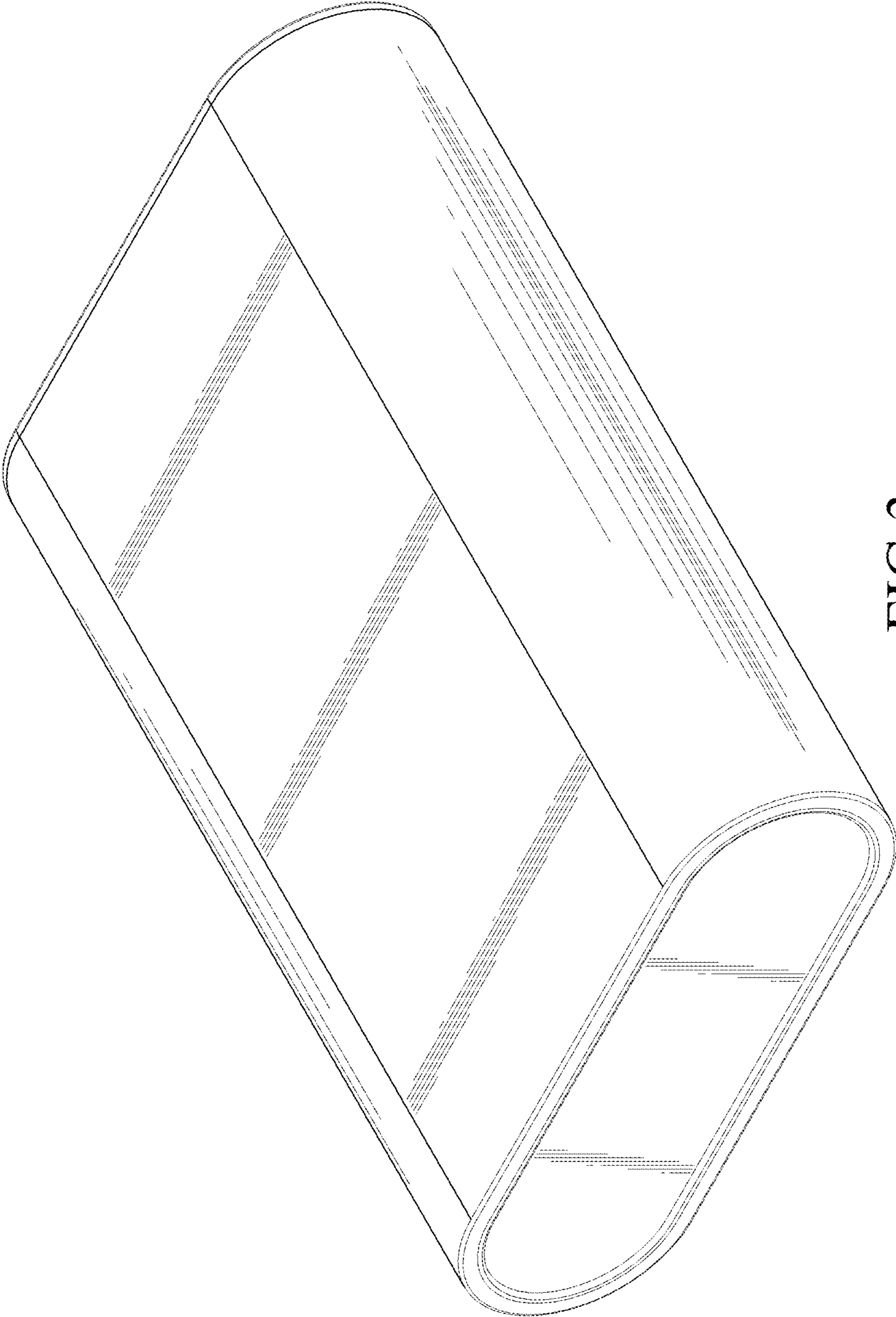


FIG.3

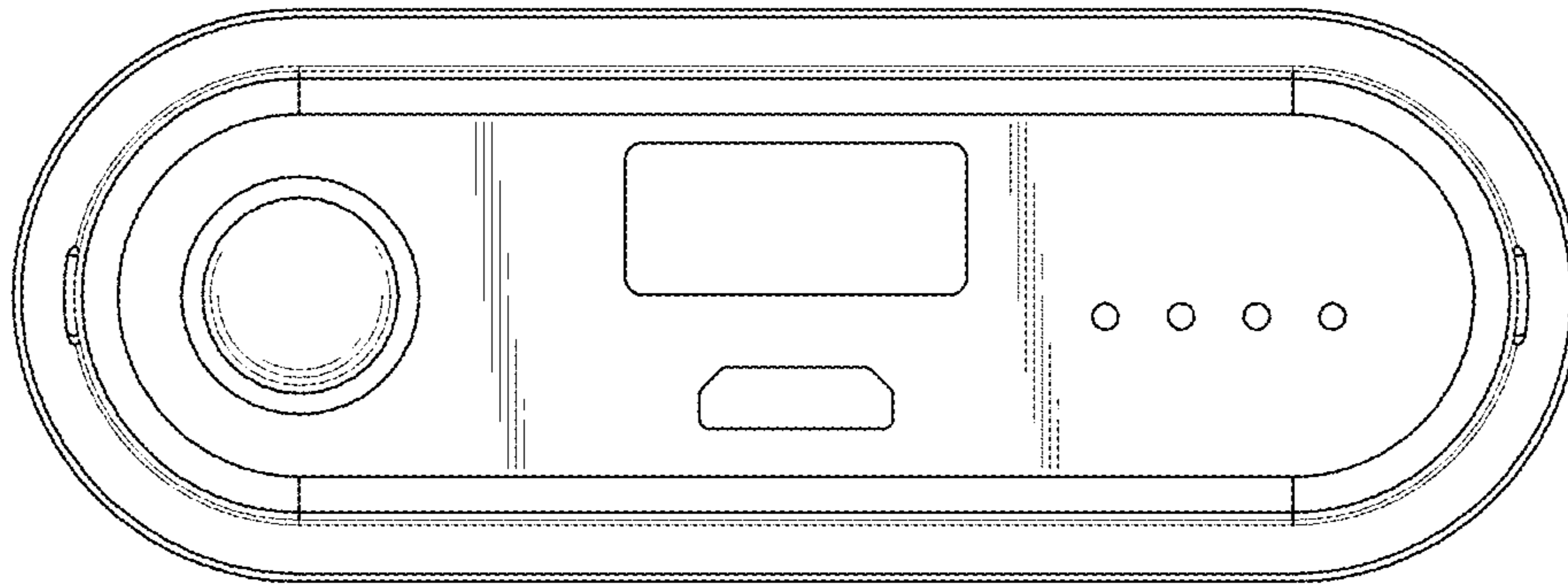


FIG.4

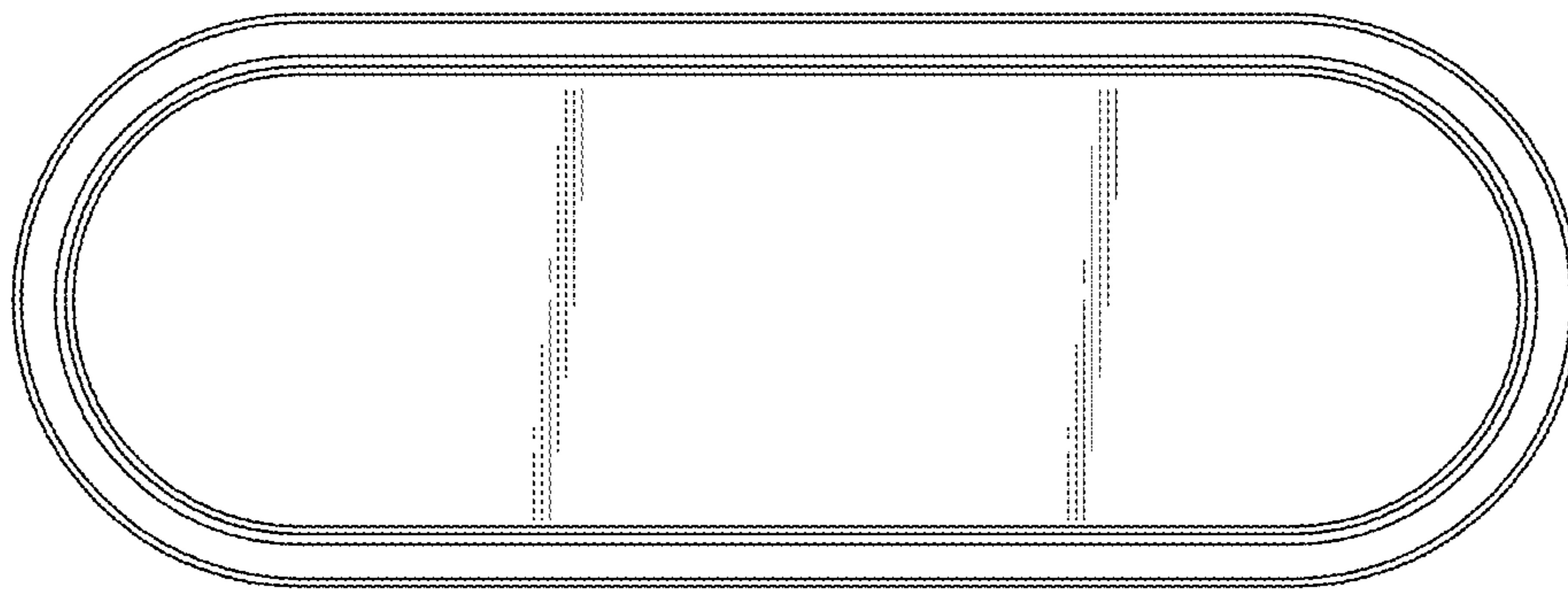


FIG.5

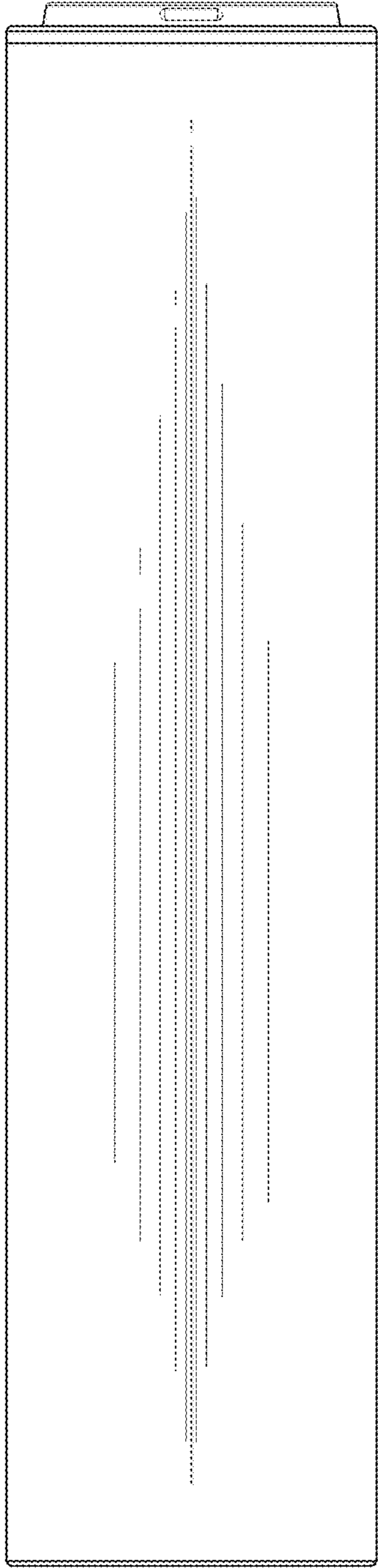


FIG. 6

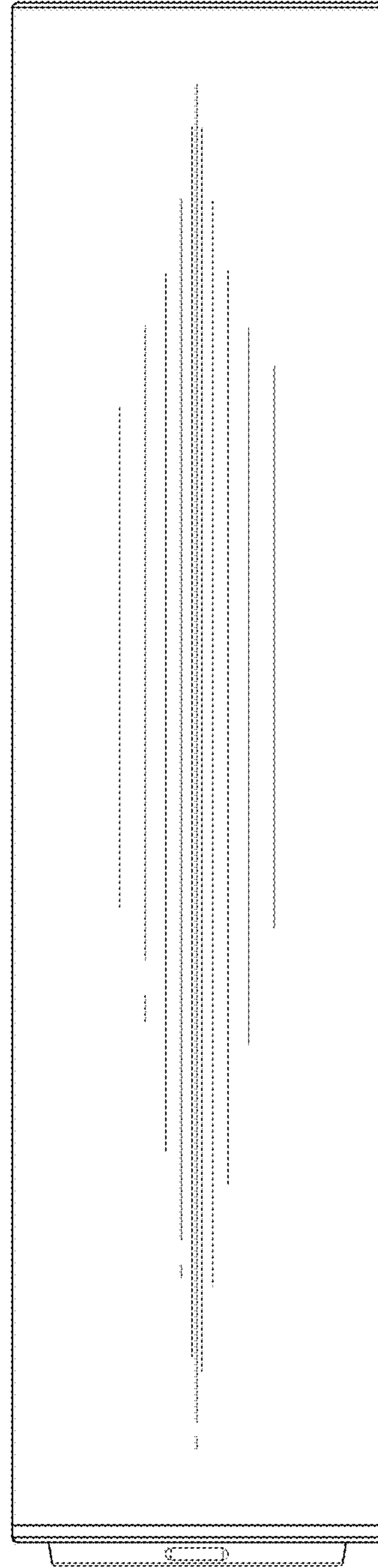


FIG. 7

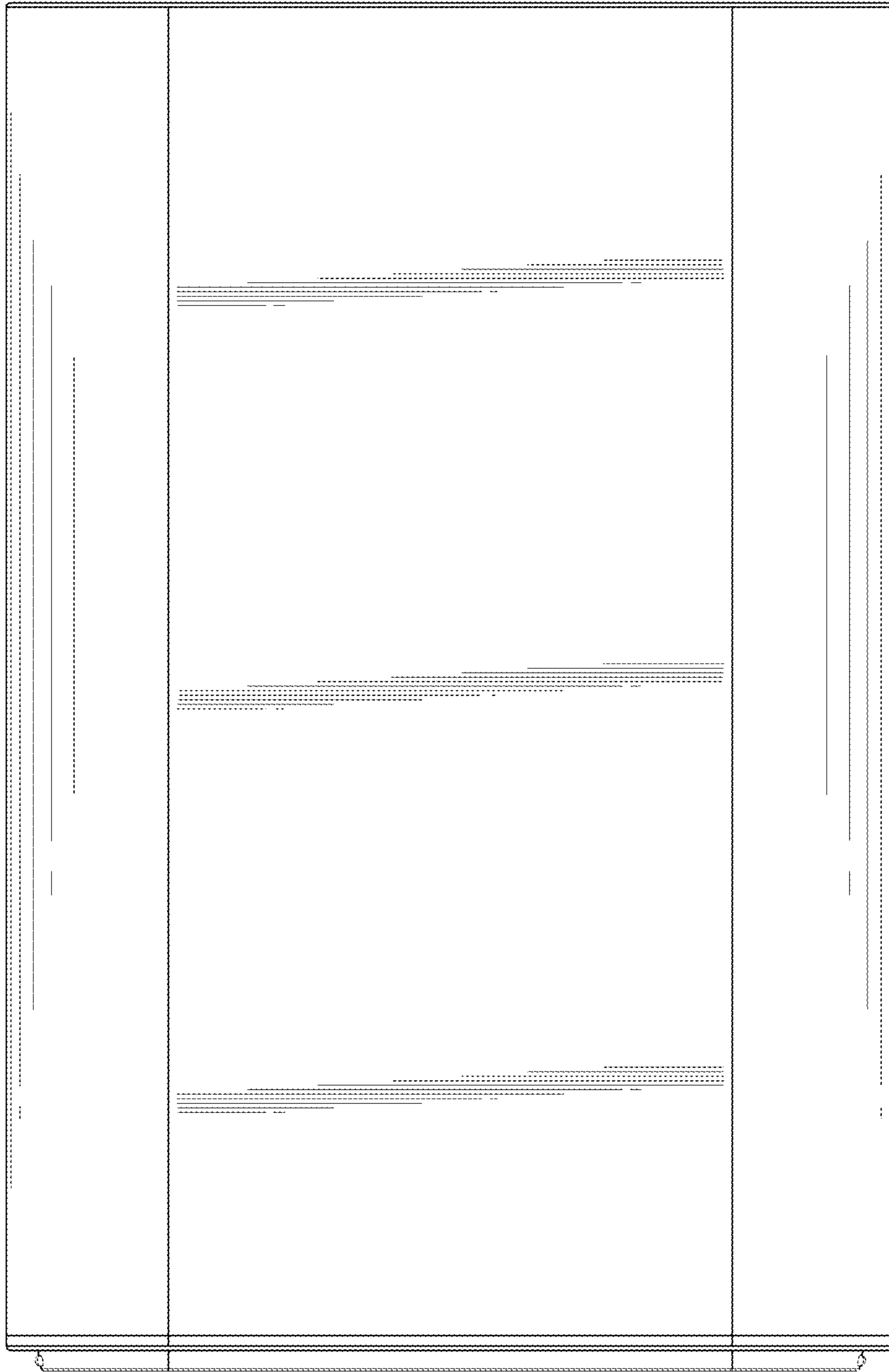


FIG.8

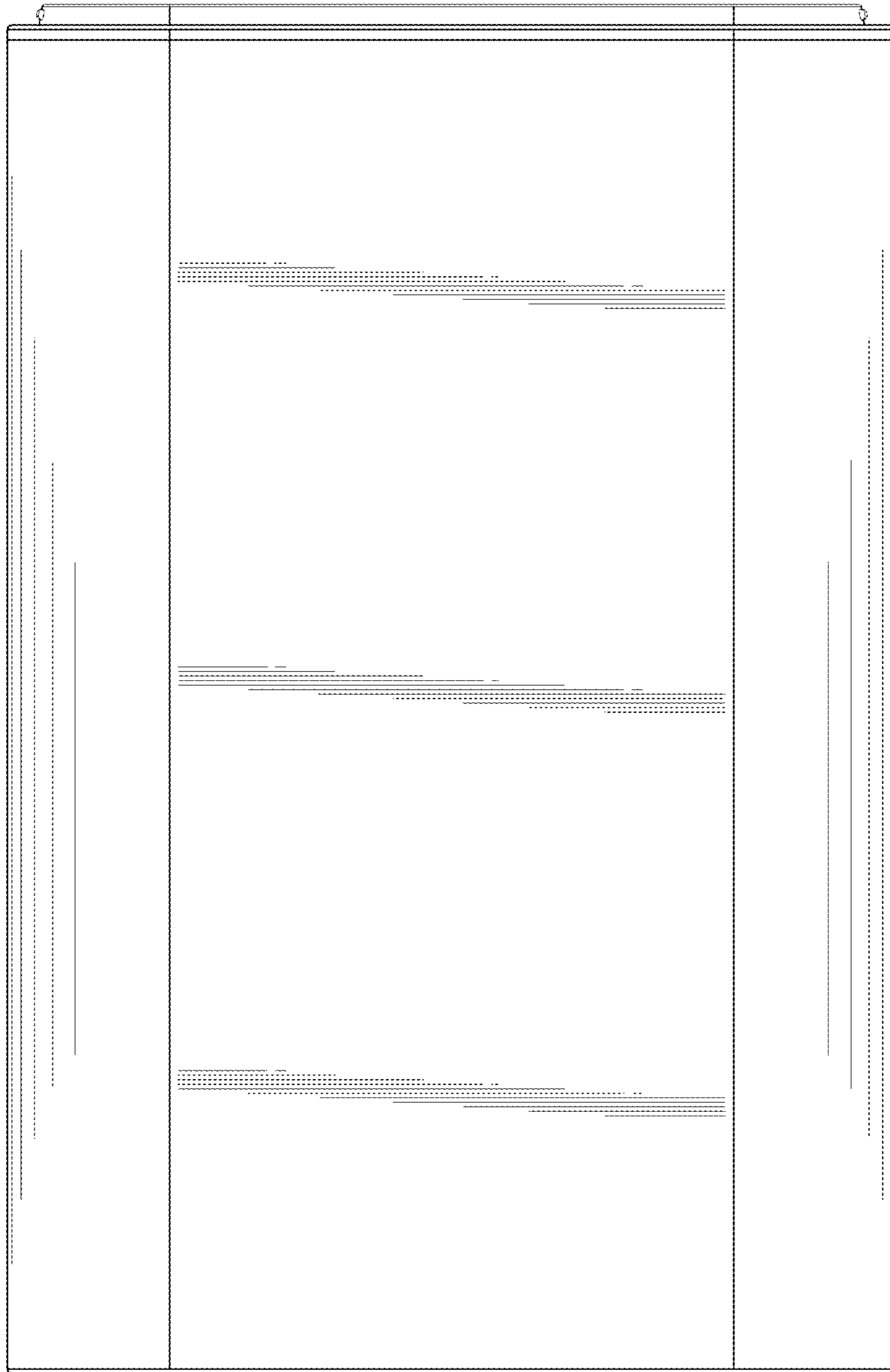


FIG. 9