



US00D787441S

(12) **United States Design Patent**
Lee et al.

(10) **Patent No.:** **US D787,441 S**
(45) **Date of Patent:** **** May 23, 2017**

(54) **WIRELESS CHARGER FOR MOBILE PHONE**

(71) Applicant: **LG ELECTRONICS INC.**, Seoul (KR)

(72) Inventors: **Hophil Lee**, Seoul (KR); **Donggeun Kim**, Seoul (KR); **Jeongmin Kim**, Seoul (KR)

(73) Assignee: **LG ELECTRONICS INC.**, Seoul (KR)

(**) Term: **15 Years**

(21) Appl. No.: **29/535,590**

(22) Filed: **Aug. 7, 2015**

(30) **Foreign Application Priority Data**

Feb. 9, 2015 (KR) 30-2015-0006876

(51) **LOC (10) Cl.** **13-02**

(52) **U.S. Cl.**
USPC **D13/108**

(58) **Field of Classification Search**

USPC D13/107-110, 118-119, 184, 199;
D14/251, 253, 432, 434
CPC Y02E 60/12; Y02T 90/14; Y02T 90/122;
Y02T 90/128; Y02T 90/163; H02J 7/025;
H02J 7/0042; H02J 7/0044; H02J 7/0045;
H02J 7/0003; H01F 38/14; H01R
13/6675; H01M 2/1022; H01M 2/1055;
H01M 10/44; H01M 10/46; H01M
10/425; B60L 11/182

See application file for complete search history.

(56) **References Cited**

U.S. PATENT DOCUMENTS

D520,013 S * 5/2006 Yang D14/434
D606,545 S * 12/2009 Salmon D13/108

D607,817 S * 1/2010 Tan D13/108
D637,952 S * 5/2011 Tan D13/102
D639,810 S * 6/2011 Hwang D13/107
D659,637 S * 5/2012 Hwang D13/108
D660,227 S * 5/2012 Rodbro D13/107
D662,082 S * 6/2012 McManigal D14/217
D664,528 S * 7/2012 Chen D14/253
D665,341 S * 8/2012 Chu D13/103
D666,614 S * 9/2012 Ding D14/253
D674,336 S * 1/2013 Suzuka D13/108
D674,337 S * 1/2013 Au Yeung D13/108
D680,068 S * 4/2013 Lee D13/108
D685,366 S * 7/2013 Ding D14/253
D686,609 S * 7/2013 Kadivar D14/253
D693,296 S * 11/2013 Lin D13/108
D772,812 S * 11/2016 Choe D13/108

(Continued)

Primary Examiner — Rosemary K Tarcza

(74) *Attorney, Agent, or Firm* — Birch, Stewart, Kolasch & Birch, LLP

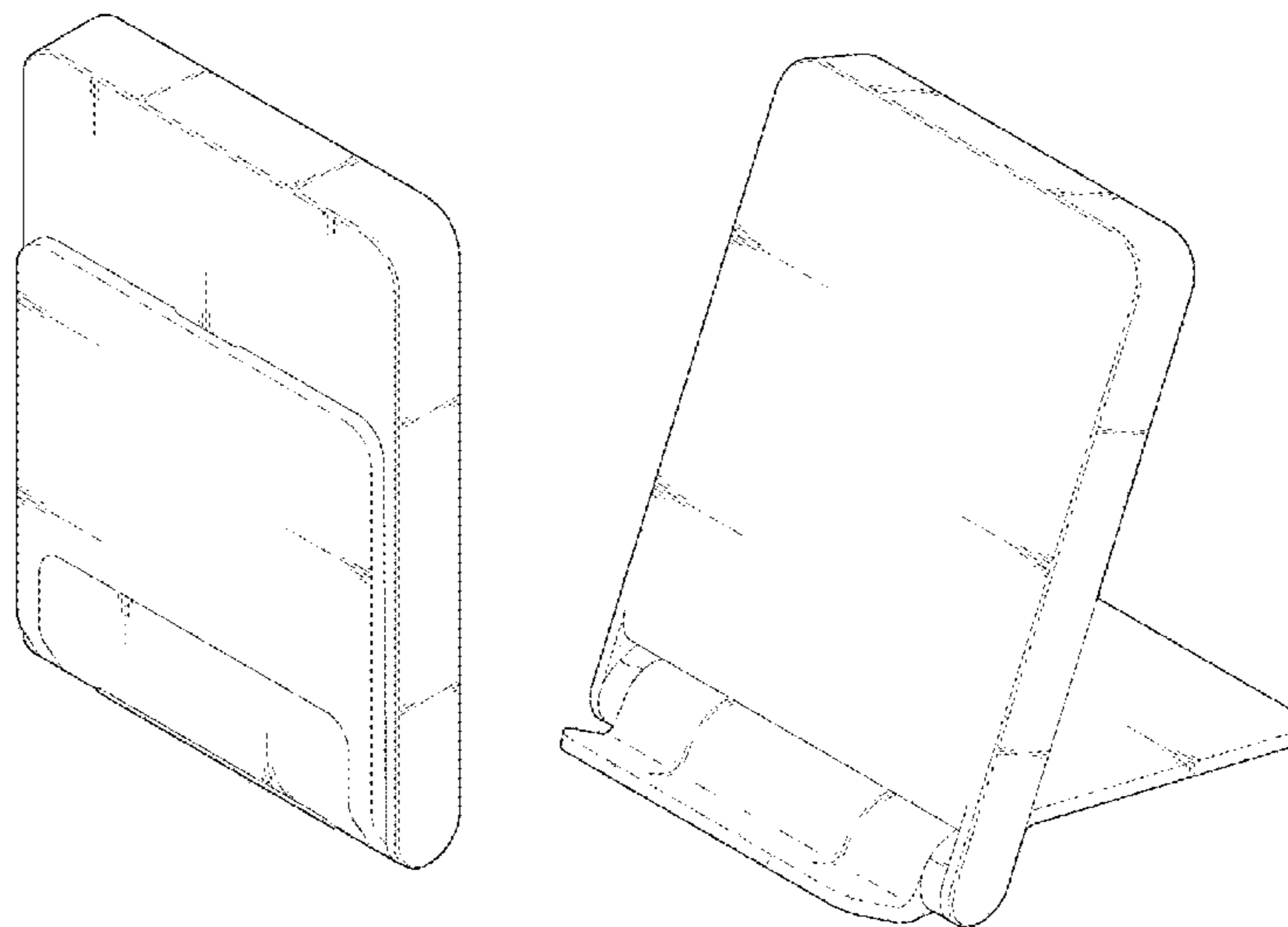
(57) **CLAIM**

The ornamental design for a wireless charger for mobile phone, as shown and described.

DESCRIPTION

FIG. 1 is a perspective view of a wireless charger for mobile phone showing our new design;
FIG. 2 is a front view thereof;
FIG. 3 is a rear view thereof;
FIG. 4 is a left side view thereof where the right side view is a mirror image;
FIG. 5 is a top plan view thereof;
FIG. 6 is a bottom plan view thereof;
FIG. 7 is a rear perspective view thereof; and,
FIG. 8 is a perspective view thereof, shown in an alternate position with front and rear stands unfolded.
The broken lines depict portions of the wireless charger for mobile phone that form no part of the claimed design.

1 Claim, 7 Drawing Sheets



(56)

References Cited

U.S. PATENT DOCUMENTS

2009/0051319 A1* 2/2009 Fang H02J 7/0044
320/115
2010/0315041 A1* 12/2010 Tan H02J 7/0044
320/115

* cited by examiner

FIG. 1

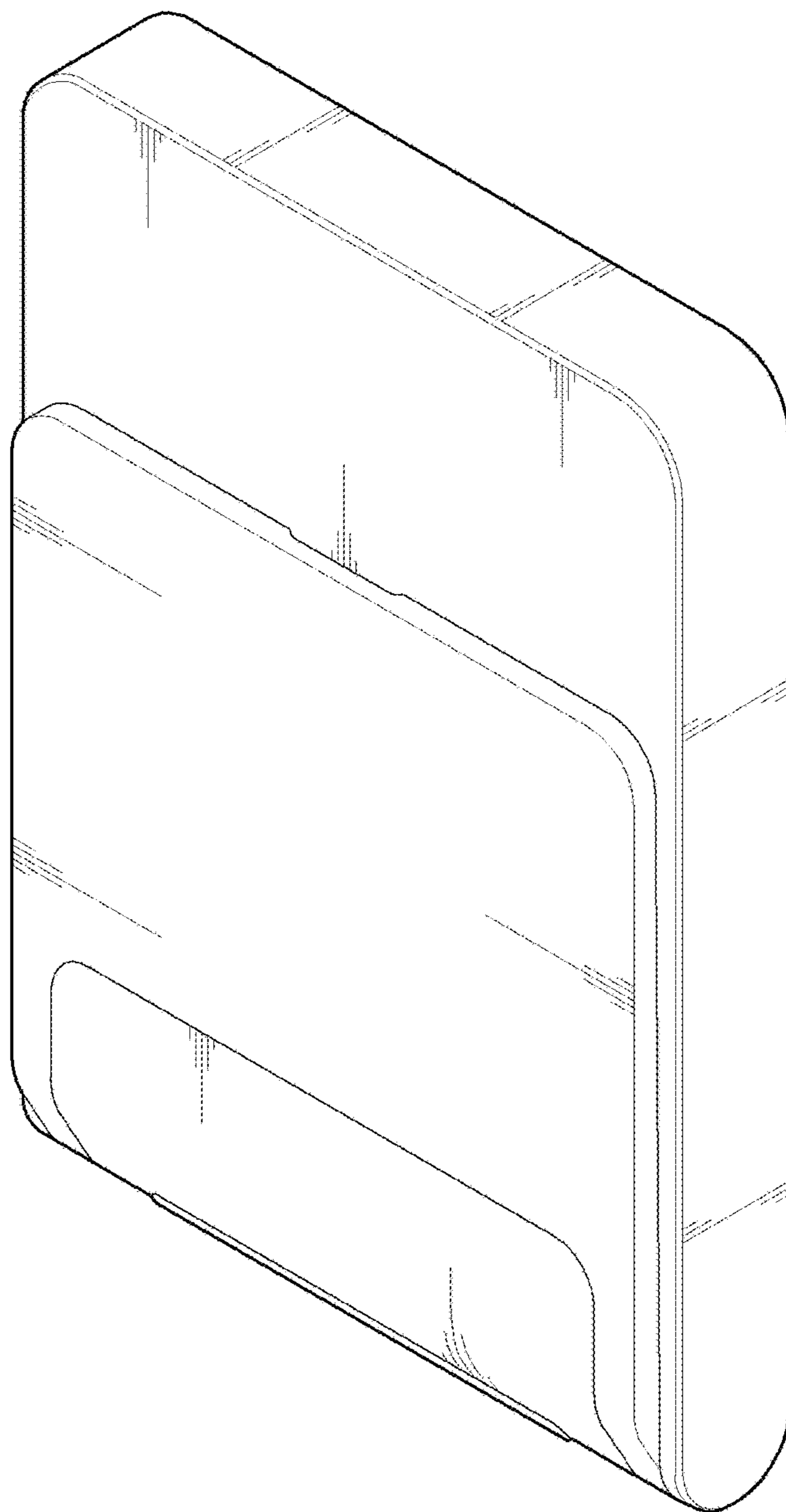


FIG. 2

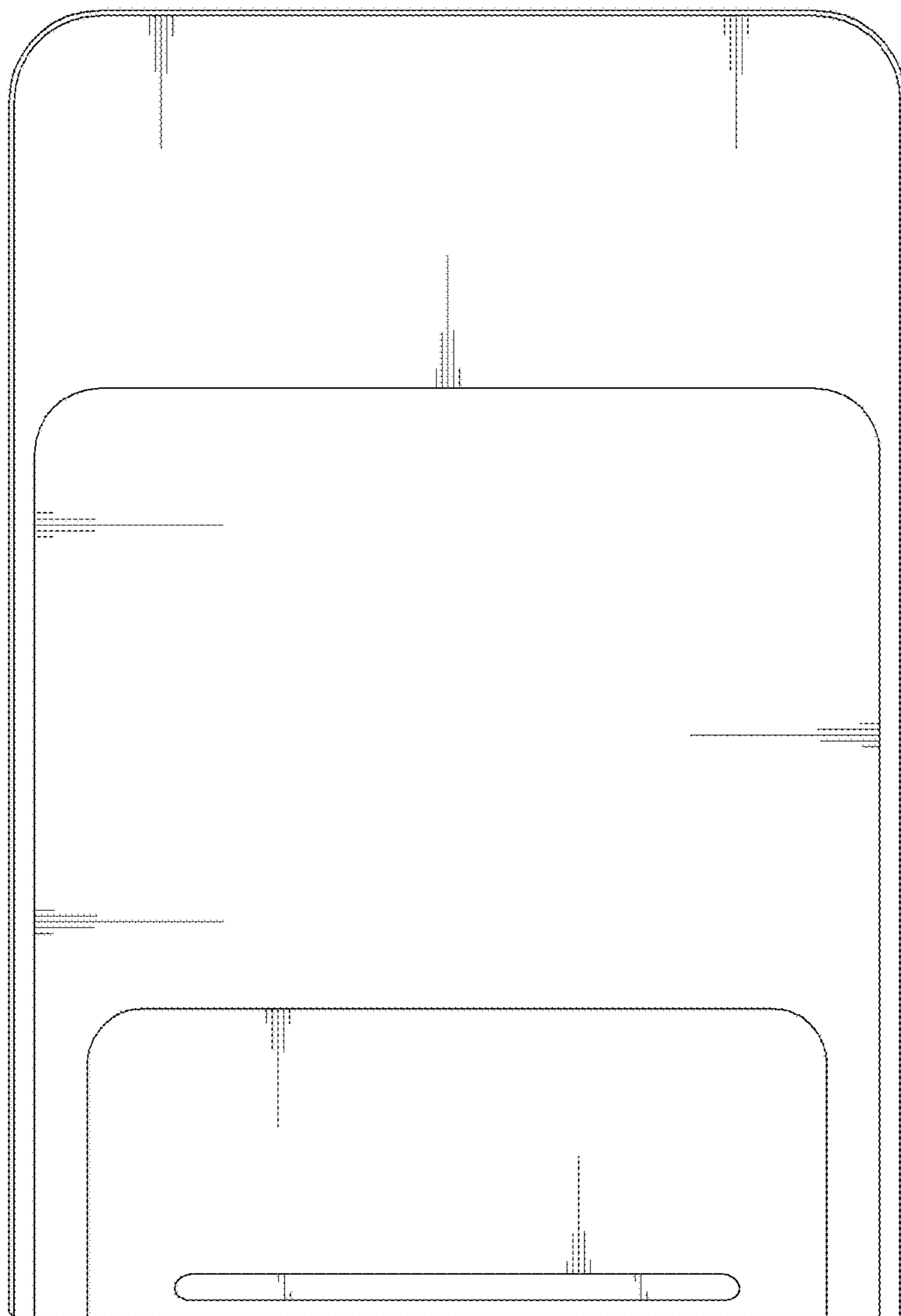


FIG. 3

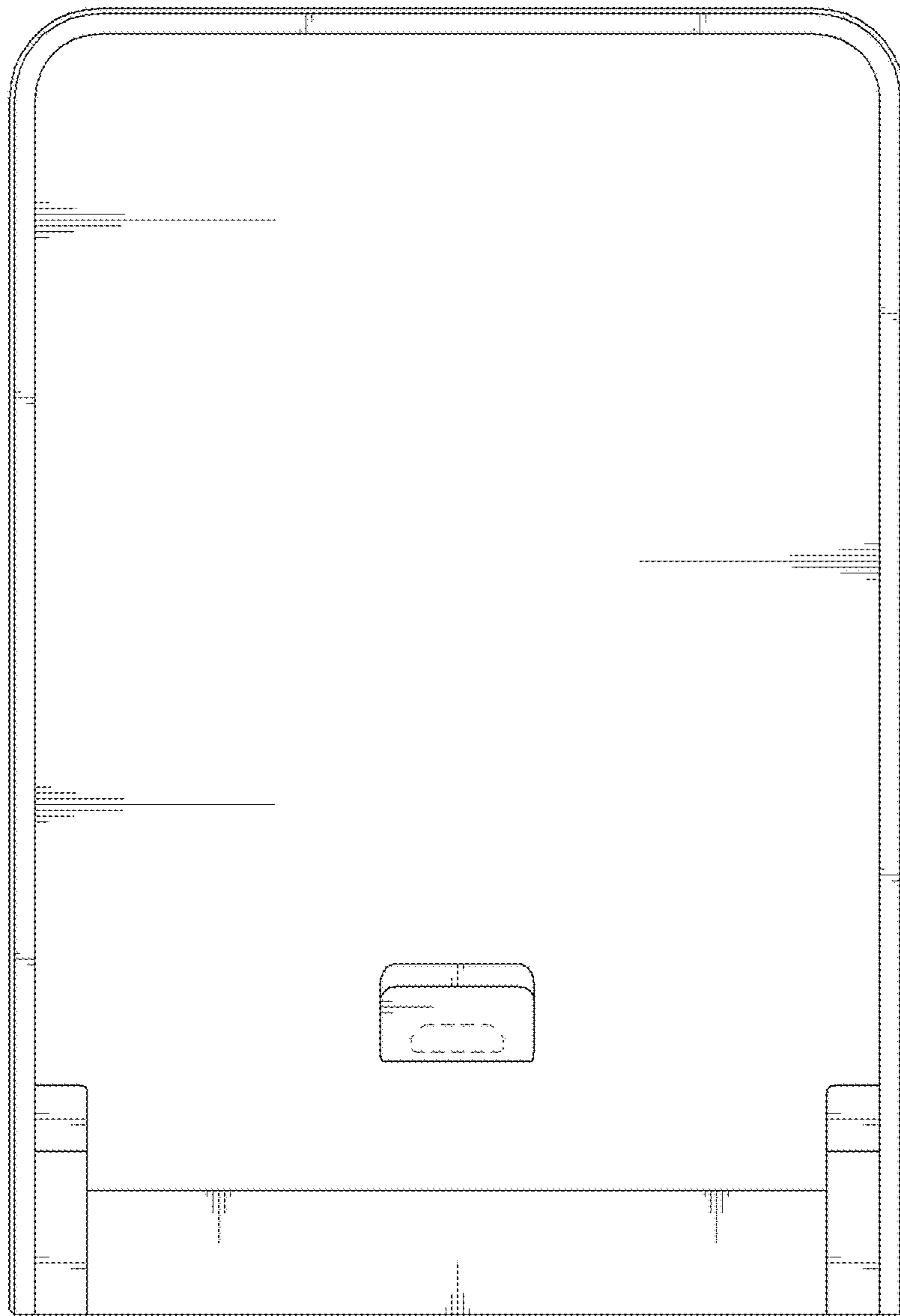


FIG. 4

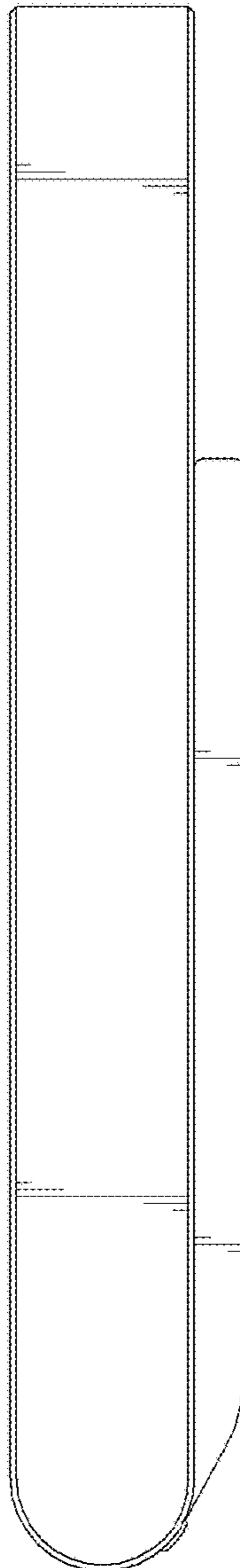


FIG. 5

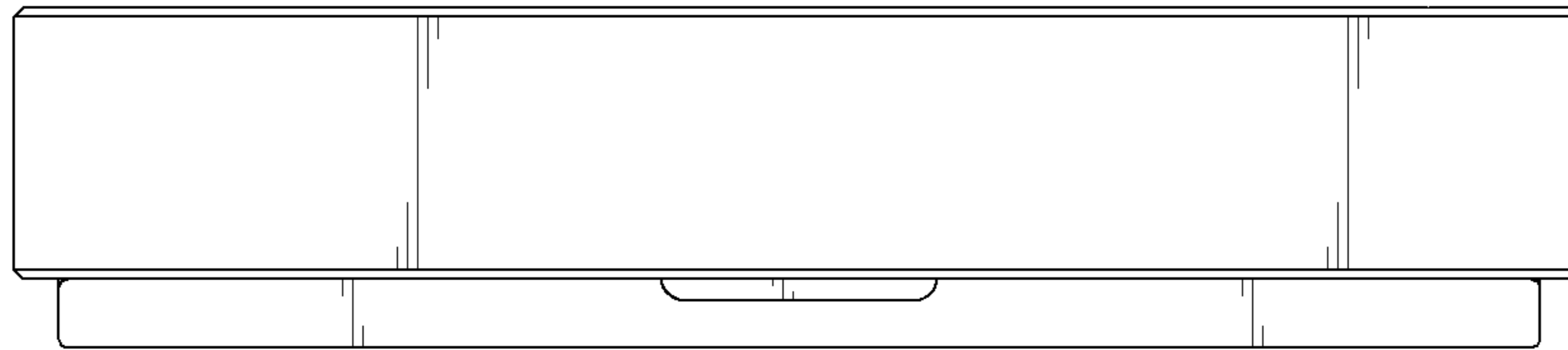


FIG. 6

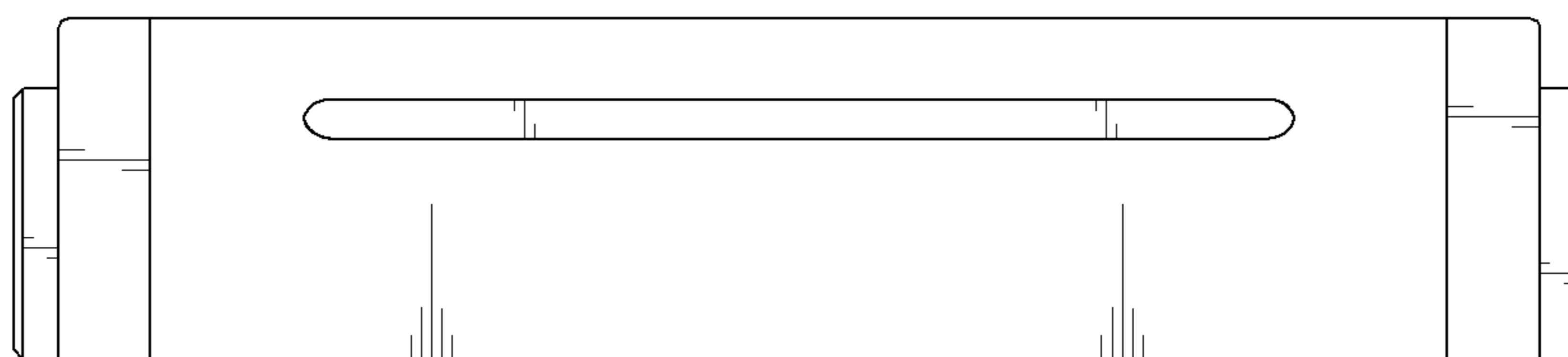


FIG. 7

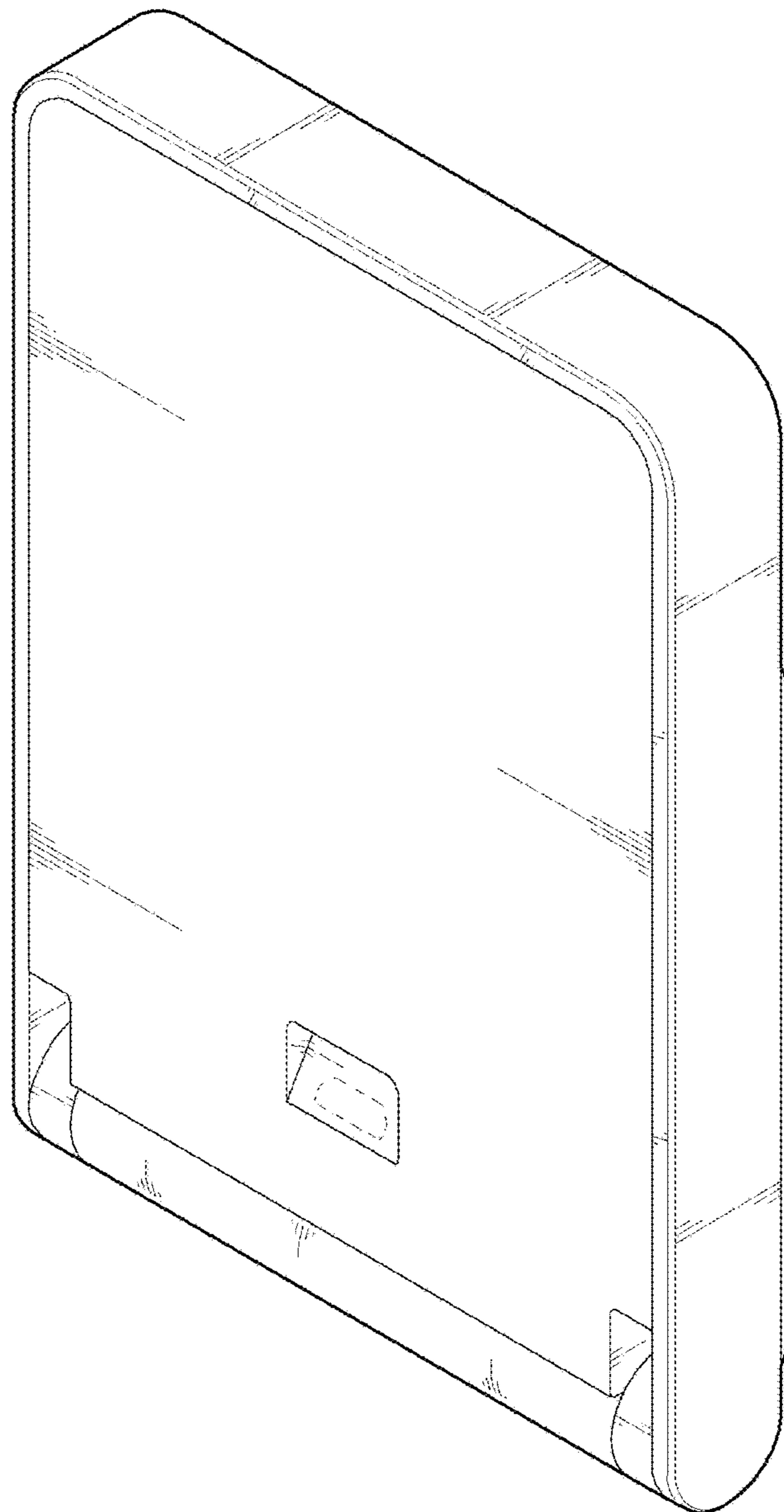


FIG. 8

