



US00D787440S

(12) **United States Design Patent**  
**Pignotti**

(10) **Patent No.:** **US D787,440 S**

(45) **Date of Patent:** **\*\* May 23, 2017**

(54) **COMBINATION USB CHARGER**

(71) Applicant: **Christopher Pignotti**, Phoenix, AZ  
(US)

(72) Inventor: **Christopher Pignotti**, Phoenix, AZ  
(US)

(\*\*) Term: **14 Years**

(21) Appl. No.: **29/511,559**

(22) Filed: **Dec. 11, 2014**

(51) **LOC (10) Cl.** ..... **13-02**

(52) **U.S. Cl.**  
USPC ..... **D13/108; D13/144**

(58) **Field of Classification Search**  
USPC ..... D13/107–110, 118–119, 184, 199, 144;  
D14/432, 434  
CPC ..... Y02E 60/12; Y02T 90/14; Y02T 90/122;  
Y02T 90/128; Y02T 90/163; H02J 7/025;  
H02J 7/0042; H02J 7/0044; H02J 7/0045;  
H02J 7/0003; H01F 38/14; H01R  
13/6675; H01R 2201/26; H01M 2/1022;  
H01M 2/1055; H01M 10/44; H01M  
10/46; H01M 10/425; B60L 11/182  
See application file for complete search history.

(56) **References Cited**

**U.S. PATENT DOCUMENTS**

5,613,863	A *	3/1997	Klaus	.....	H01R 27/00 439/131
5,847,545	A *	12/1998	Chen	.....	H01R 29/00 307/18
5,901,056	A *	5/1999	Hung	.....	H02J 7/0065 307/64
D543,940	S *	6/2007	Hussaini	.....	D13/144
D572,712	S *	7/2008	Ledbetter	.....	D13/110
D574,833	S *	8/2008	Hussaini	.....	D13/107
D585,825	S *	2/2009	Ji	.....	D13/108
D610,094	S *	2/2010	Ouimette	.....	D13/144

D628,152	S *	11/2010	Fujii	.....	D13/108
D634,269	S *	3/2011	Griffin, Jr.	.....	D13/103
D636,725	S *	4/2011	Levy	.....	D13/108
D654,872	S *	2/2012	Au	.....	D13/144
D670,249	S *	11/2012	Inskeep	.....	D13/110
D675,988	S *	2/2013	Levy	.....	D13/144
D704,631	S *	5/2014	Levy	.....	D13/108
D705,159	S *	5/2014	Levy	.....	D13/108
D708,131	S *	7/2014	Miller	.....	D13/108

(Continued)

*Primary Examiner* — Rosemary K Tarcza

(74) *Attorney, Agent, or Firm* — Venjuris, P.C.

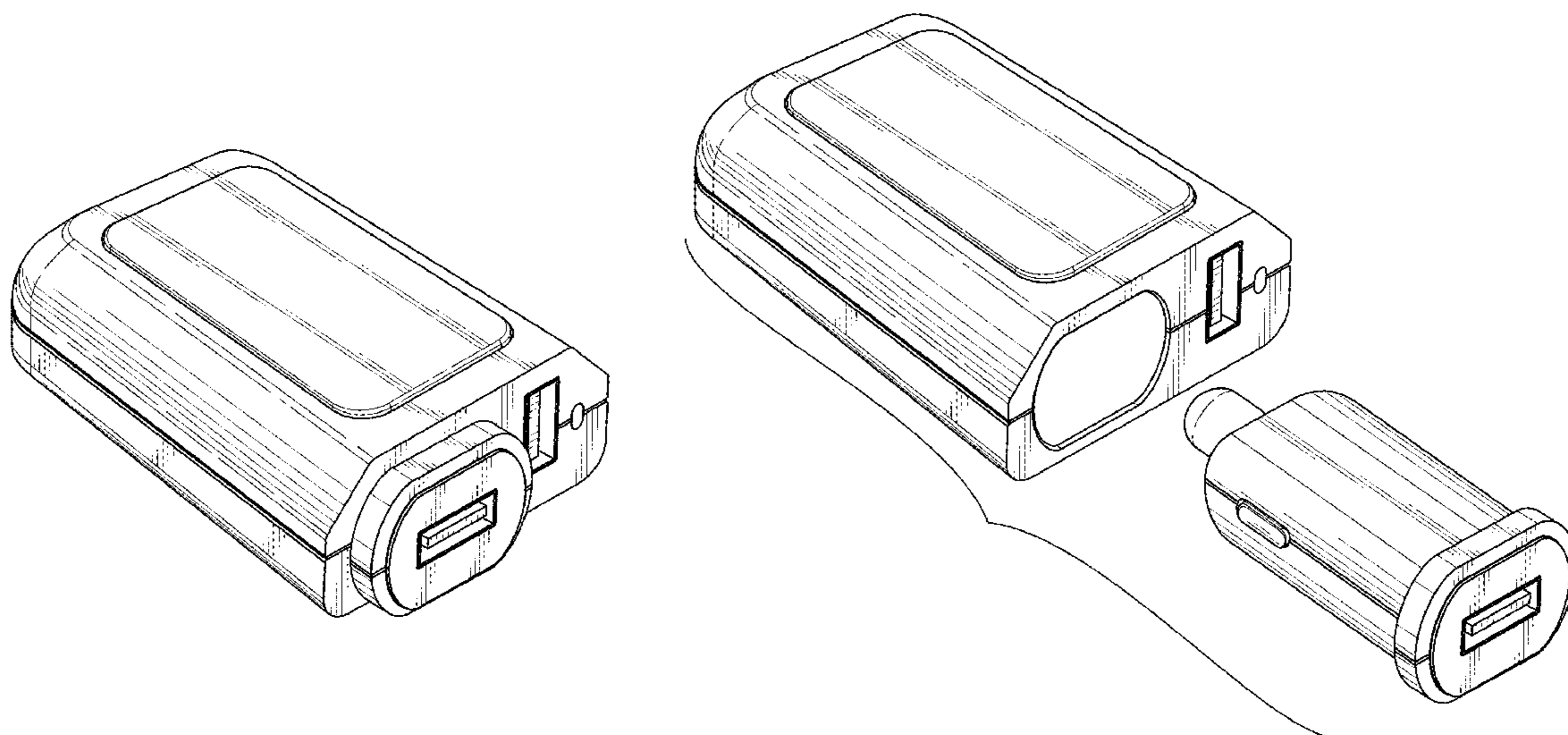
(57) **CLAIM**

The ornamental design for a combination USB charger, as shown and described.

**DESCRIPTION**

FIG. 1 is a perspective view of a combination USB charger; FIG. 2 is a front view thereof; FIG. 3 is a back view thereof; FIG. 4 is a first side view with prongs open; FIG. 5 is a second side view with prongs open; FIG. 6 is a top view with prongs open; FIG. 7 is a bottom view with prongs open; FIG. 8 is a perspective view showing one piece of the charger removed from the device; FIG. 9 is a front view showing one piece of the charger removed from the device; FIG. 10 is a back view showing one piece of the charger removed from the device; FIG. 11 is a first side view showing one piece of the charger removed from the device; FIG. 12 is a second side view showing one piece of the charger removed from the device; FIG. 13 is a top view showing one piece of the charger removed from the device; and, FIG. 14 is a bottom view showing one piece of the charger removed from the device.

**1 Claim, 12 Drawing Sheets**



(56)

**References Cited**

U.S. PATENT DOCUMENTS

D715,734 S	*	10/2014	Levy	.....	D13/110
D715,735 S	*	10/2014	Levy	.....	D13/108
D719,093 S	*	12/2014	Levy	.....	D13/108
D730,280 S	*	5/2015	Koebler	.....	D13/107
D736,152 S	*	8/2015	Levy	.....	D13/108
D736,153 S	*	8/2015	Levy	.....	D13/108
D736,154 S	*	8/2015	Levy	.....	D13/108
D742,315 S	*	11/2015	Dang	.....	D13/110
D747,681 S	*	1/2016	Lee	.....	D13/108

\* cited by examiner

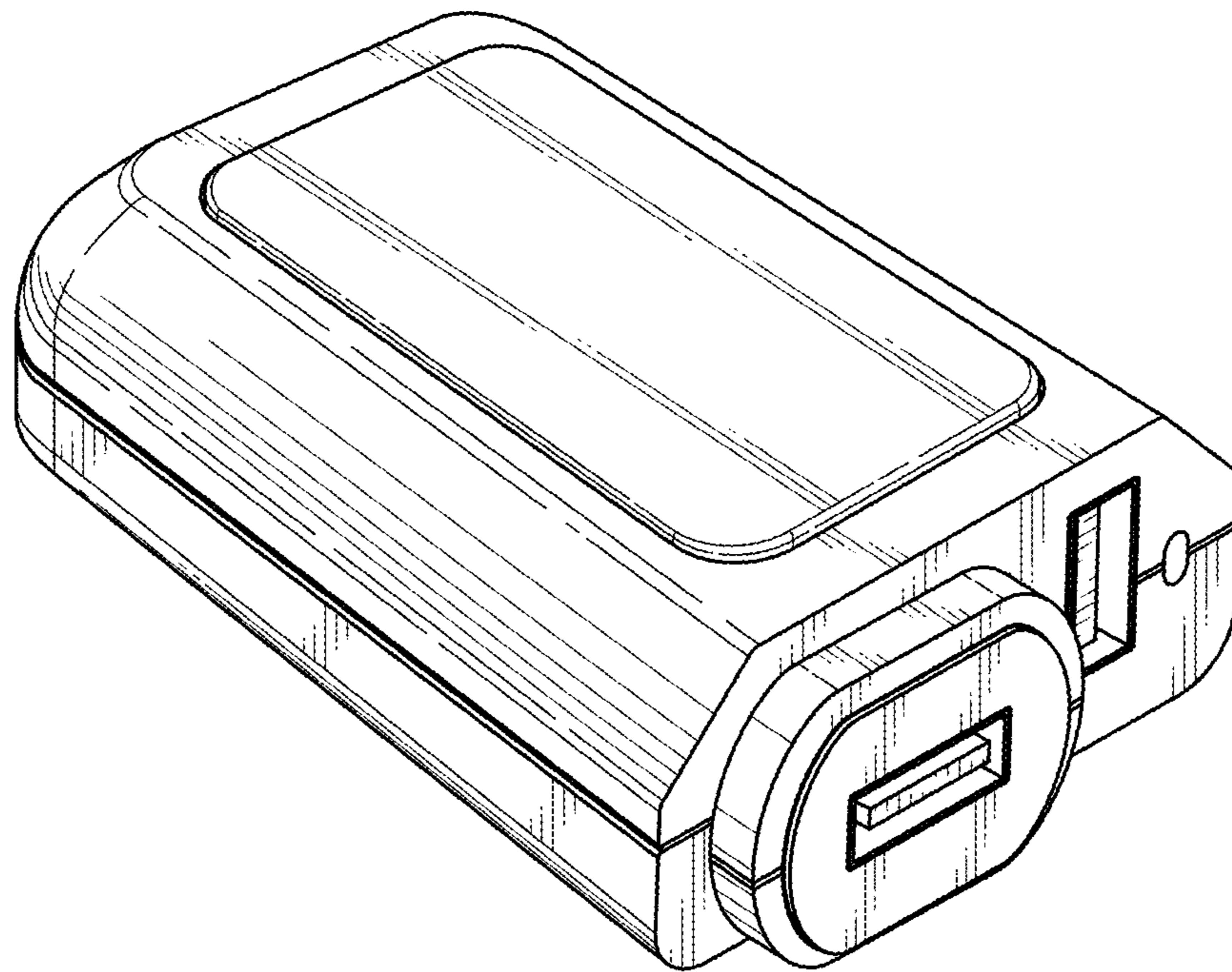


FIG. 1

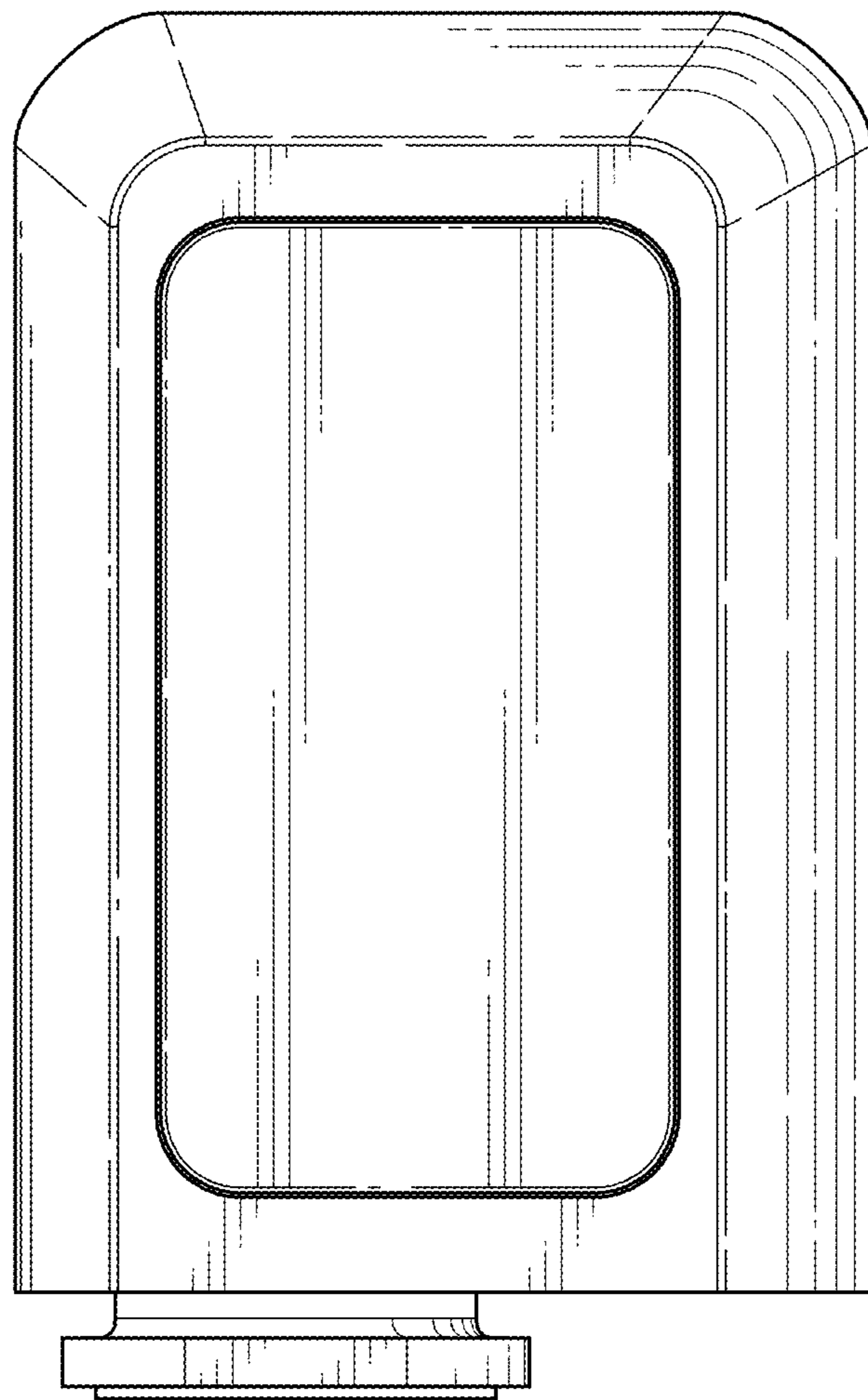


FIG. 2

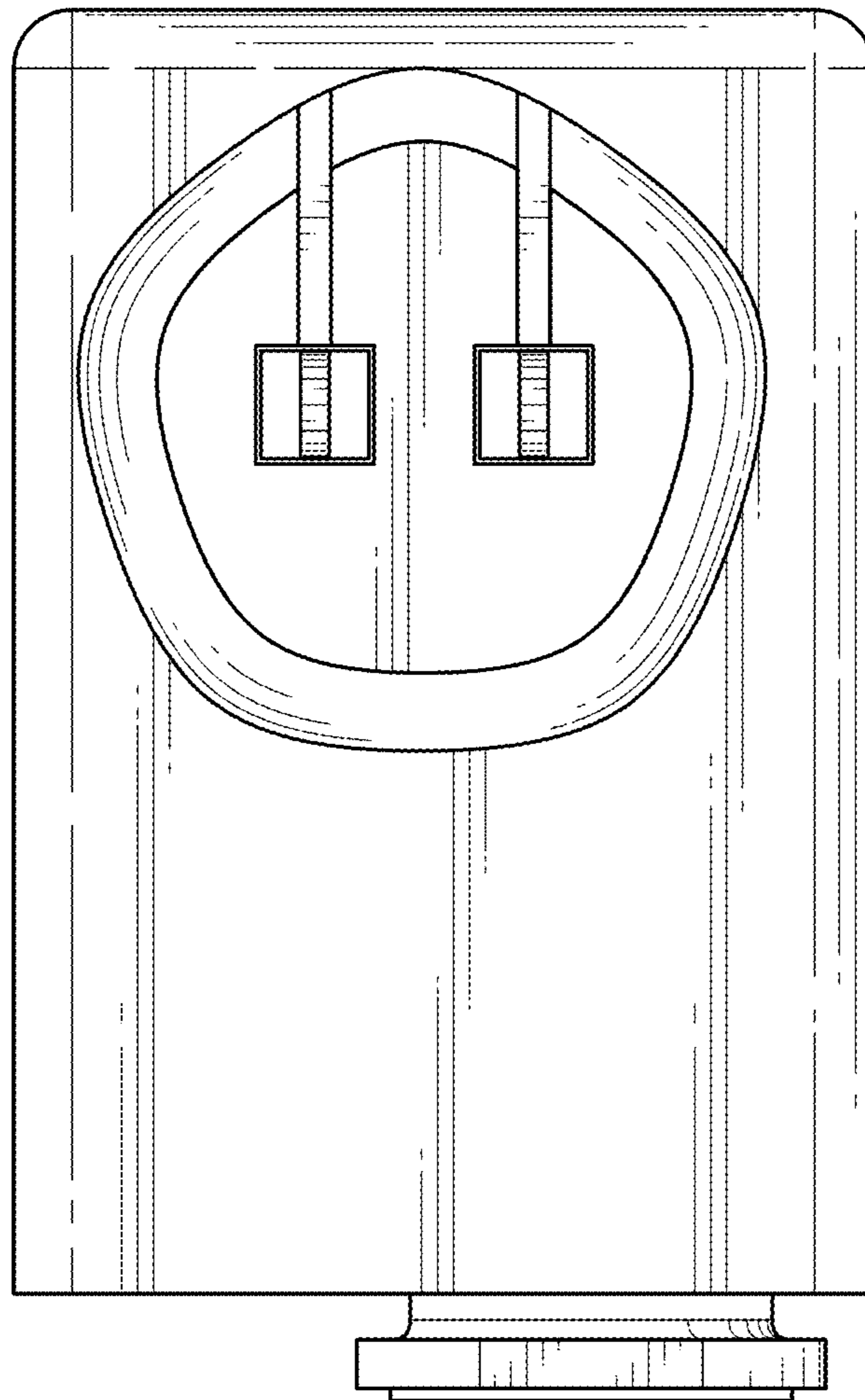


FIG. 3

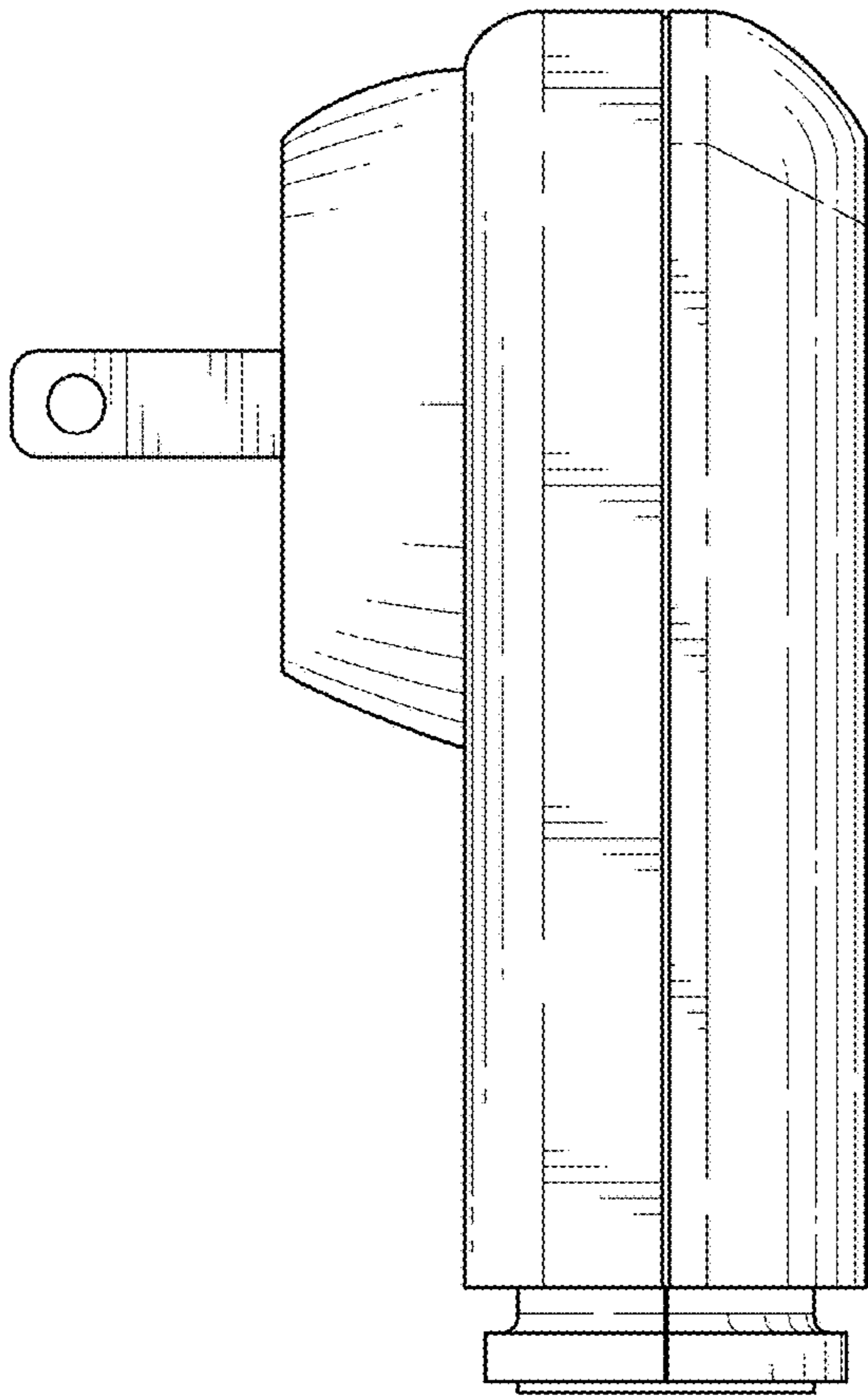


FIG. 4

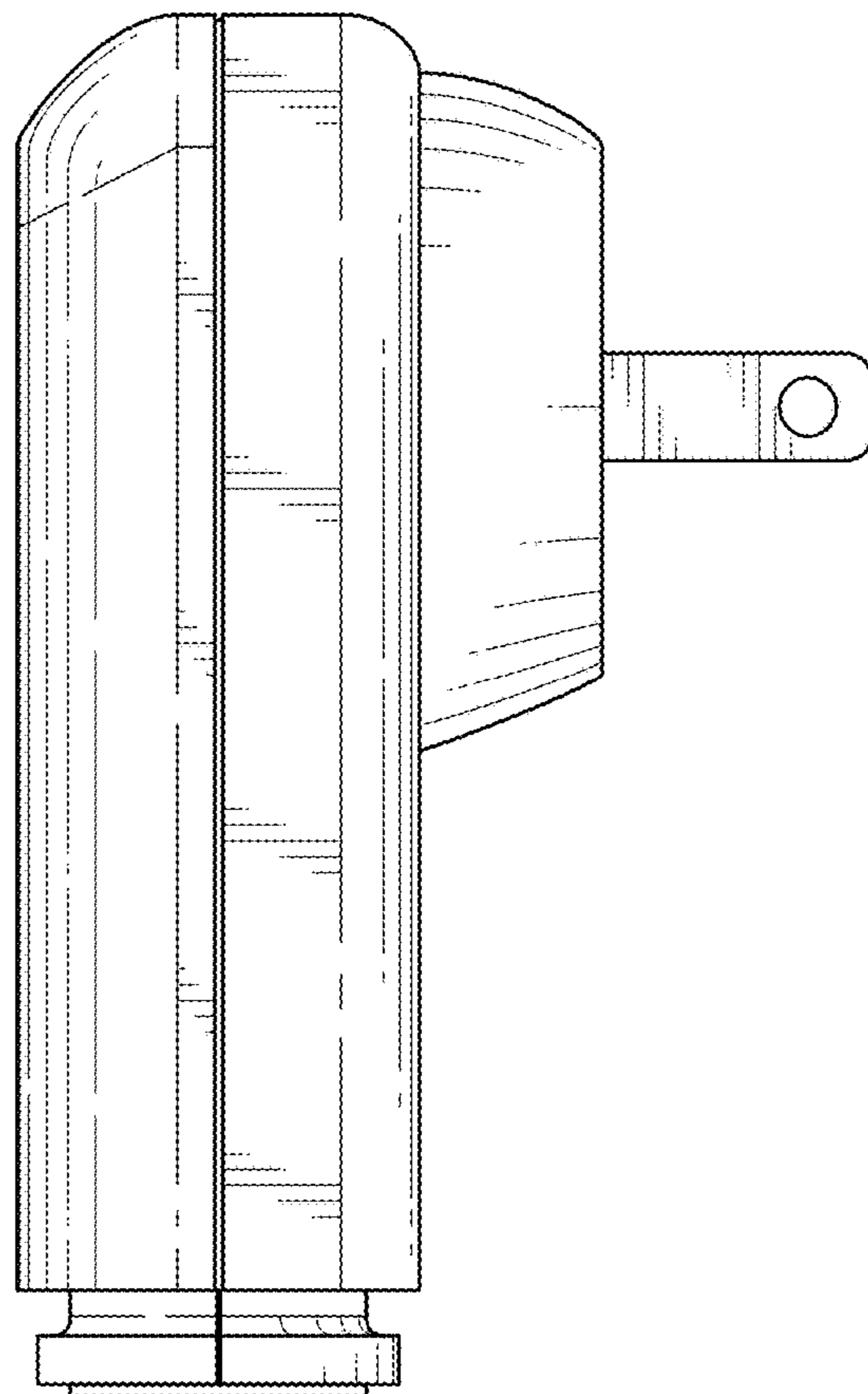


FIG. 5

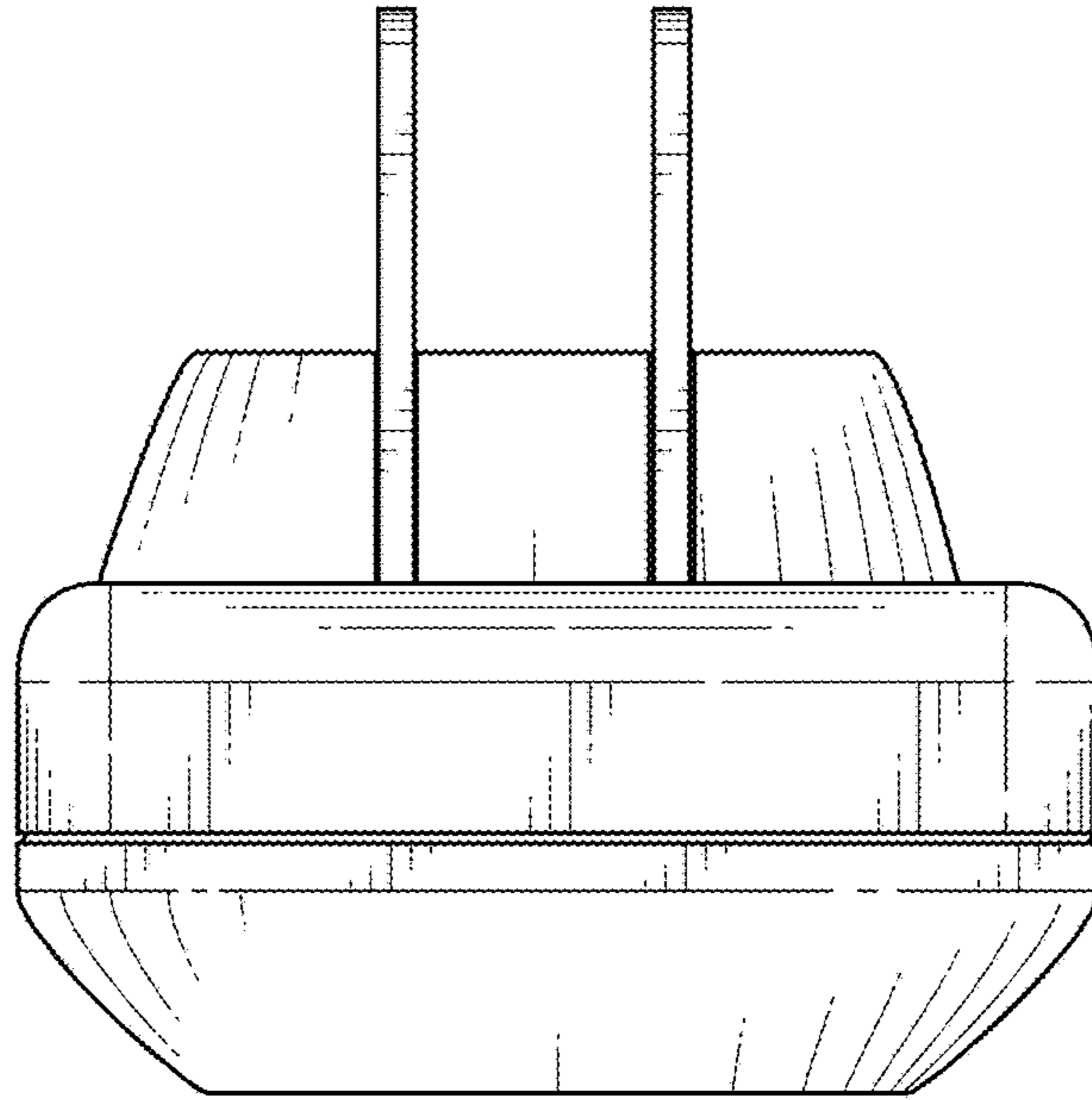


FIG. 6

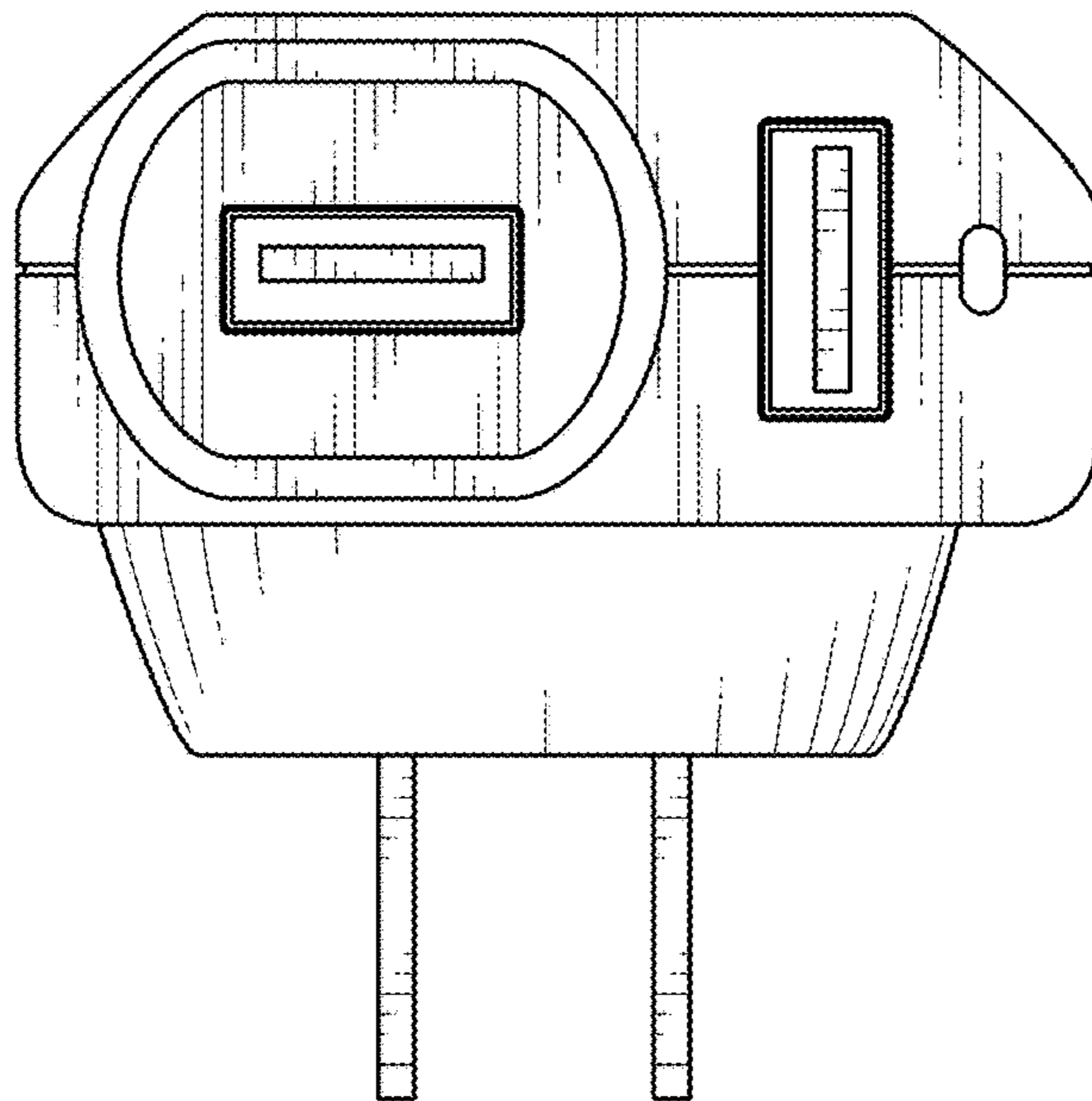


FIG. 7

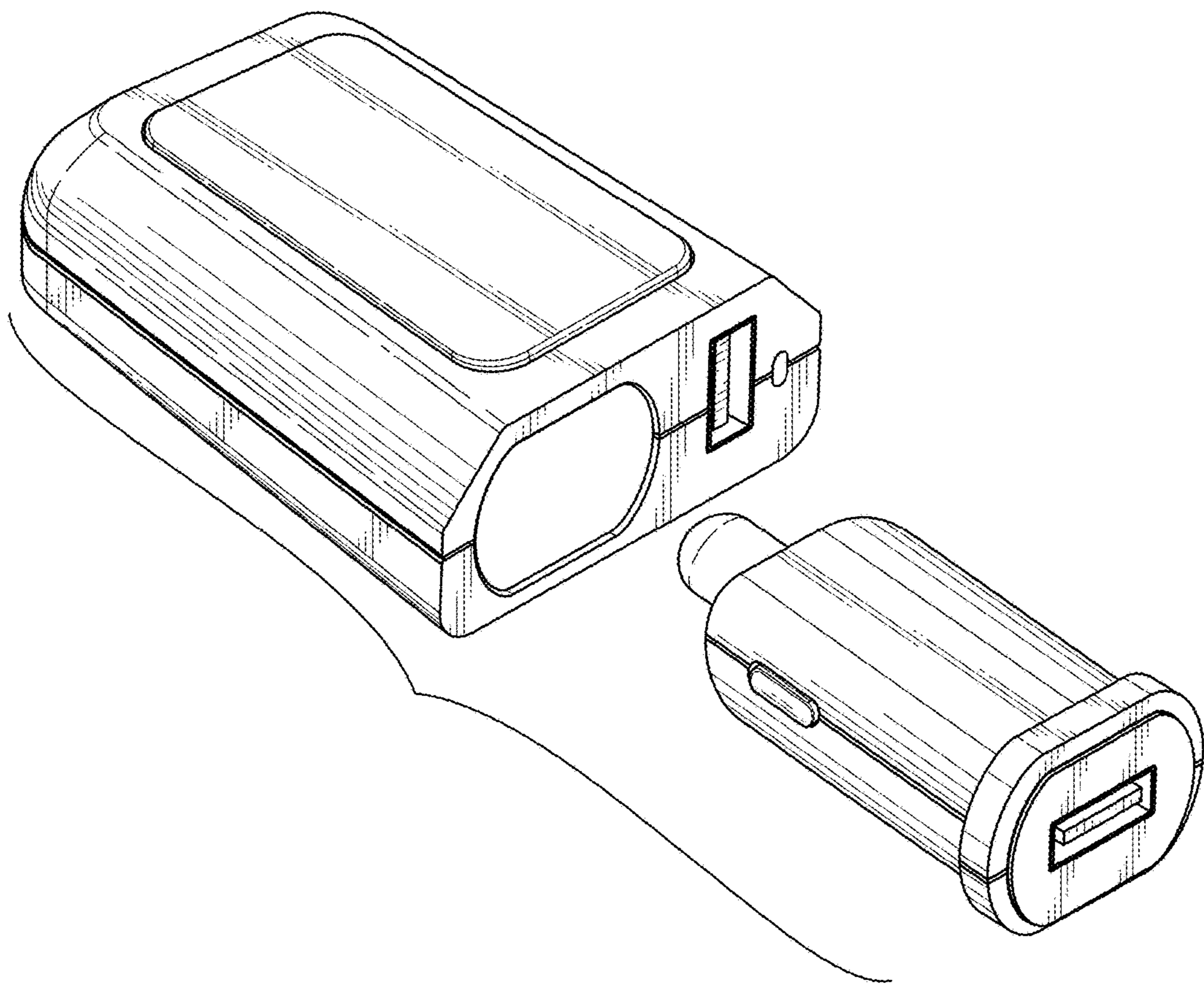


FIG. 8



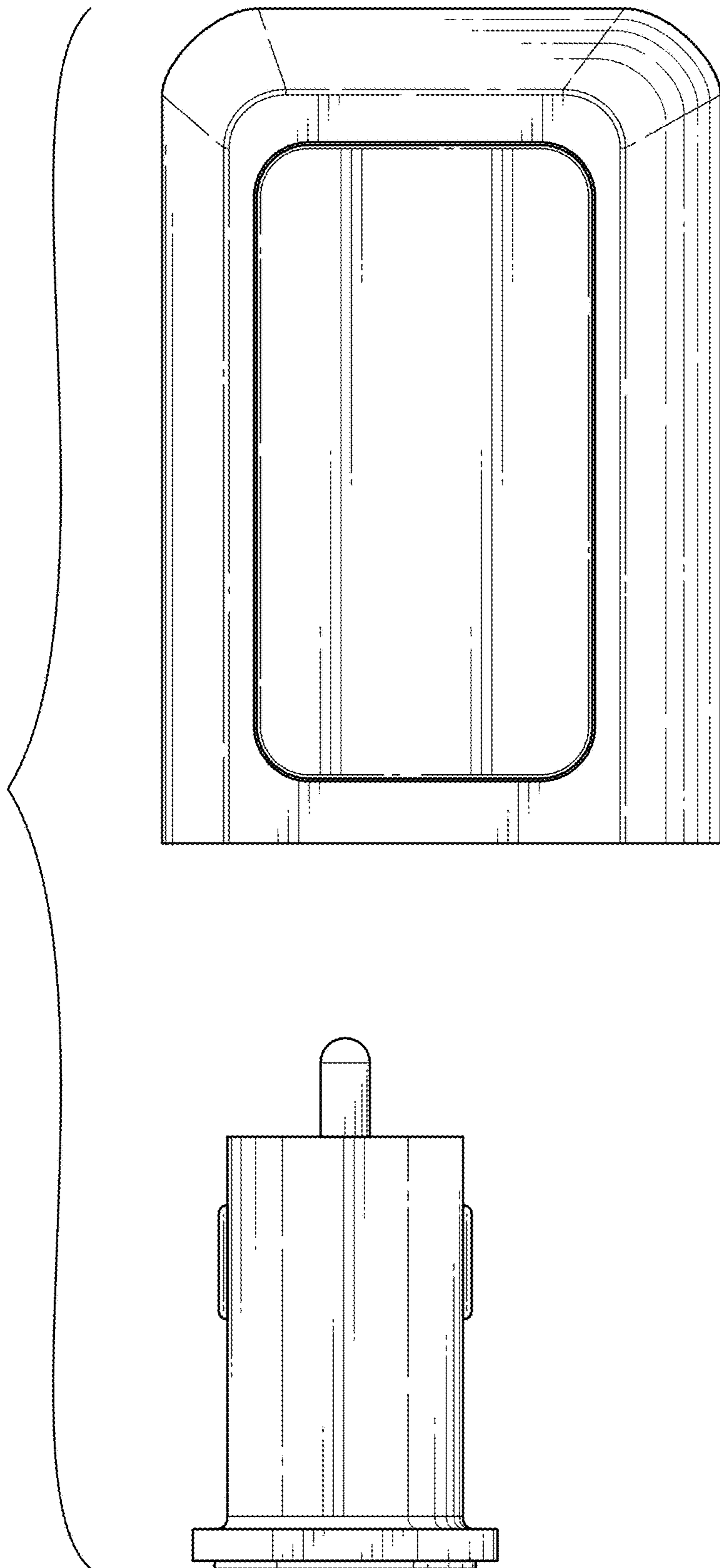


FIG. 9

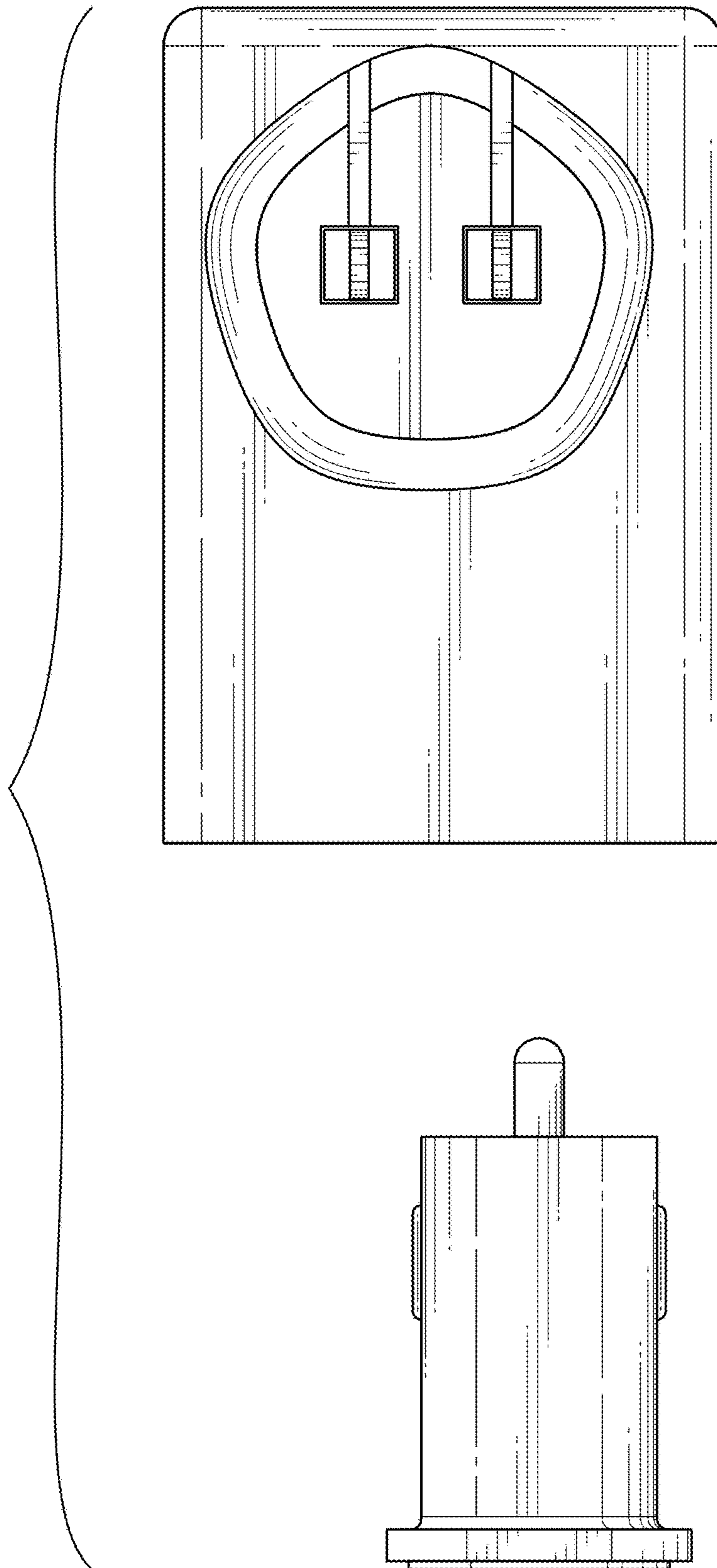


FIG. 10

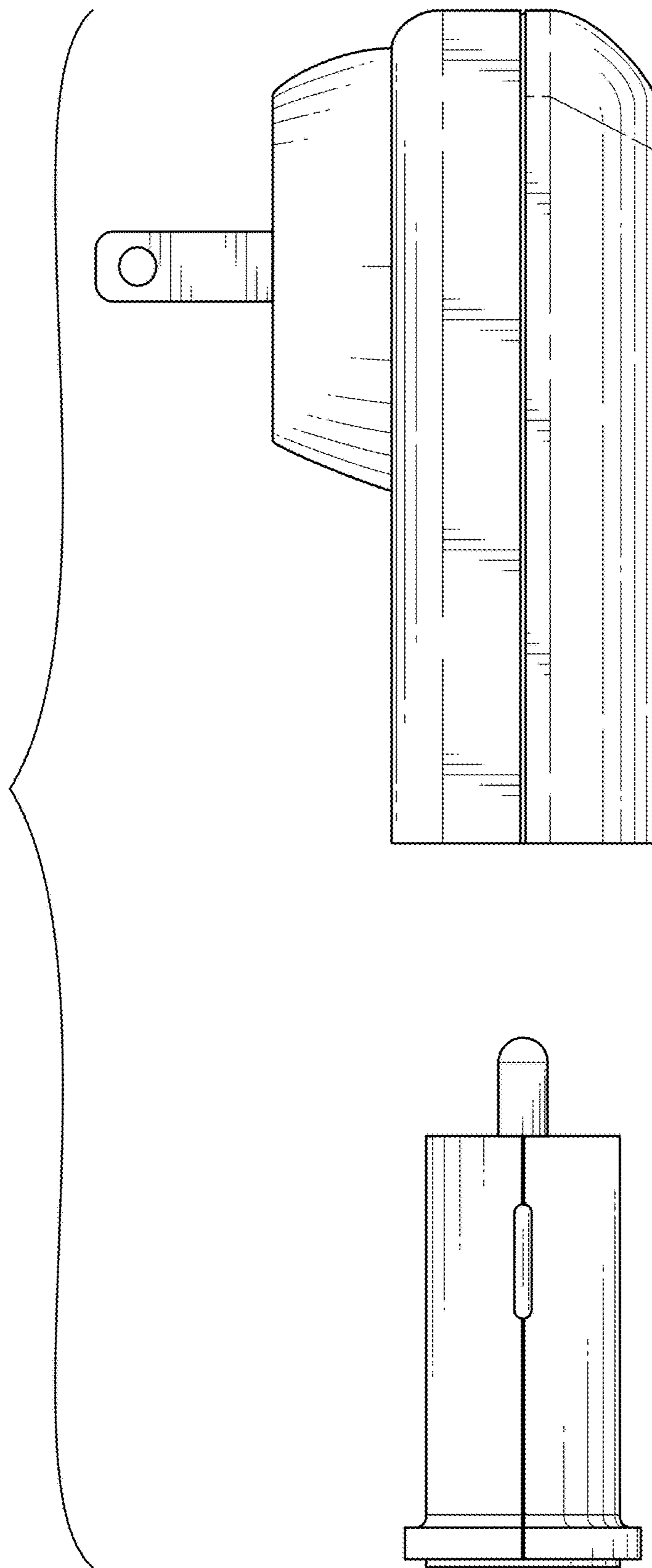


FIG. 11

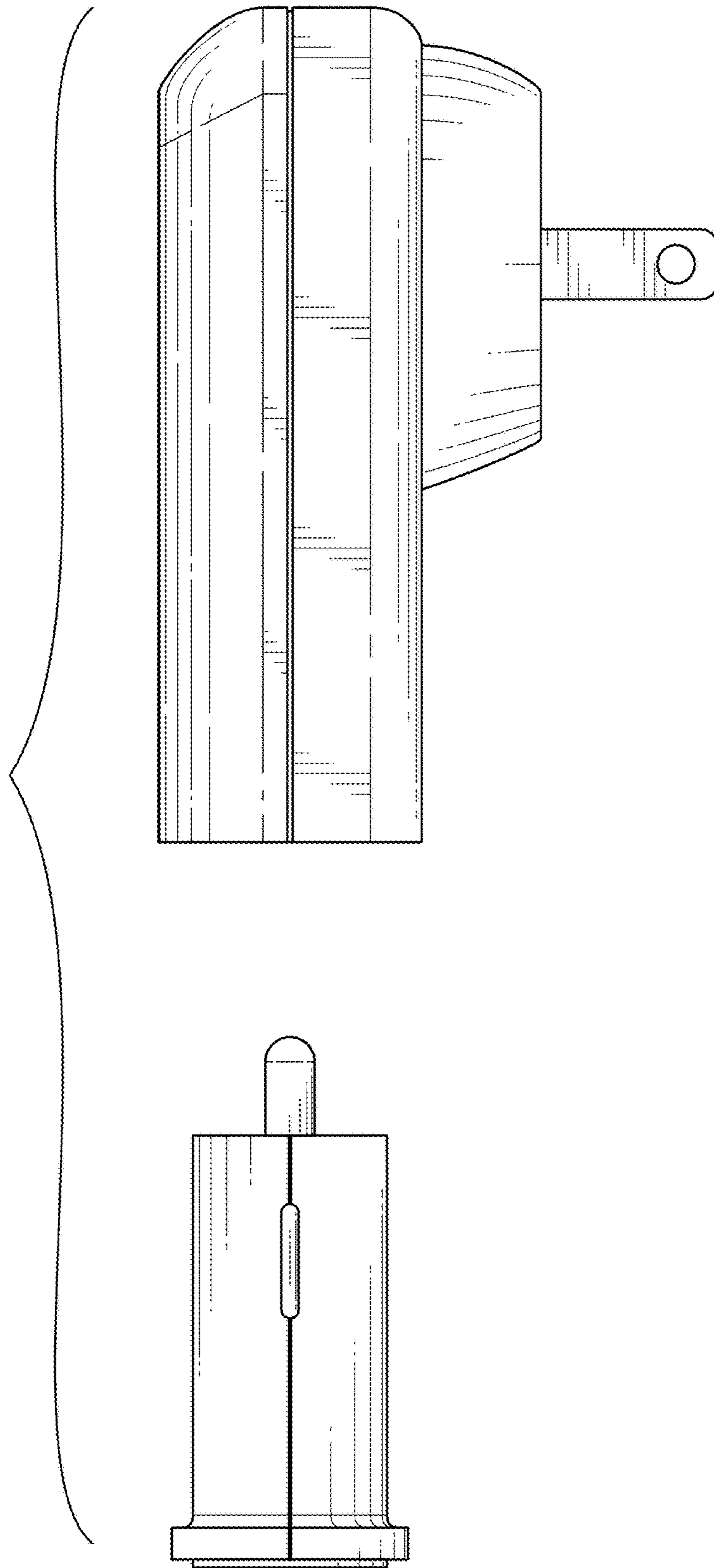


FIG. 12

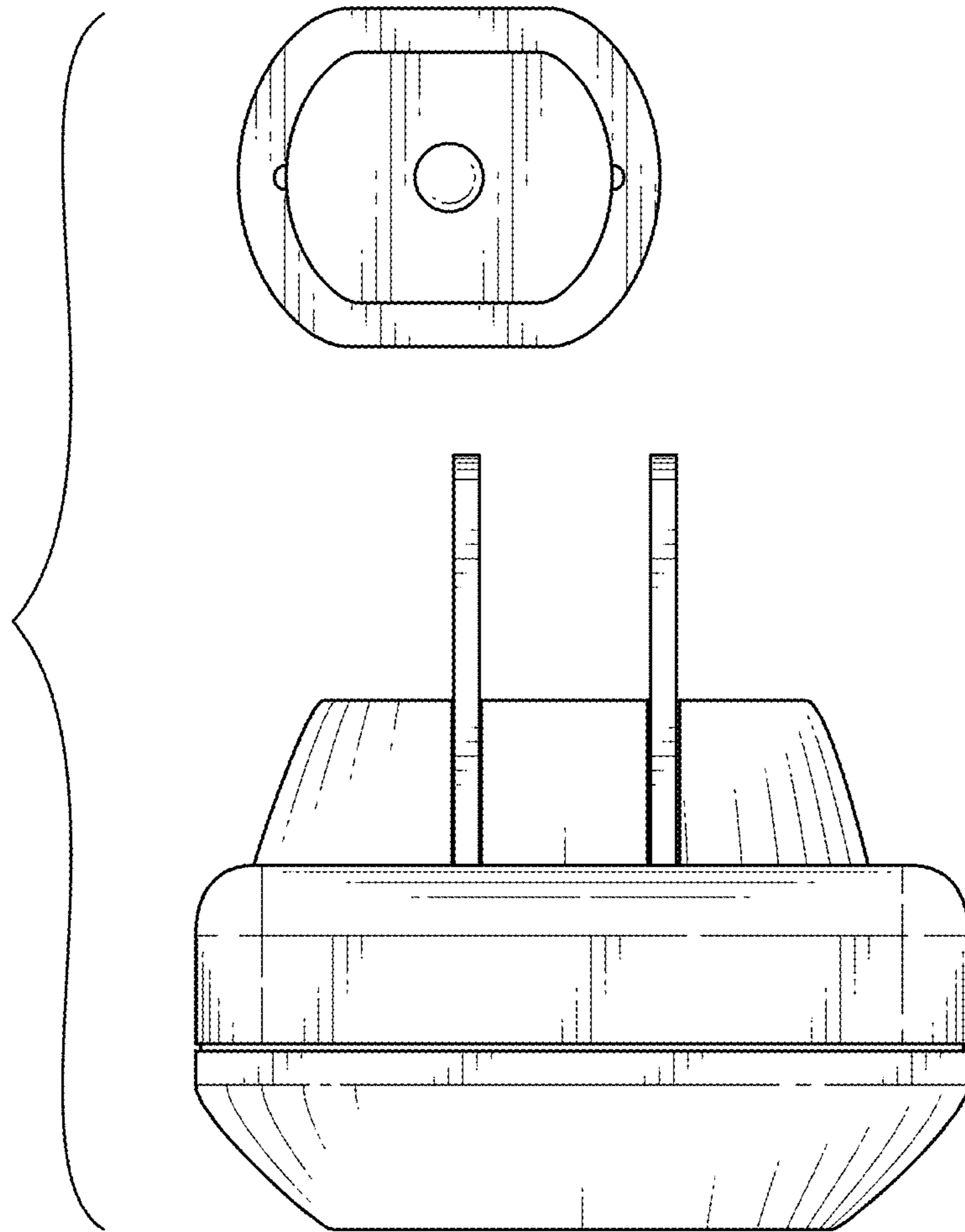


FIG. 13

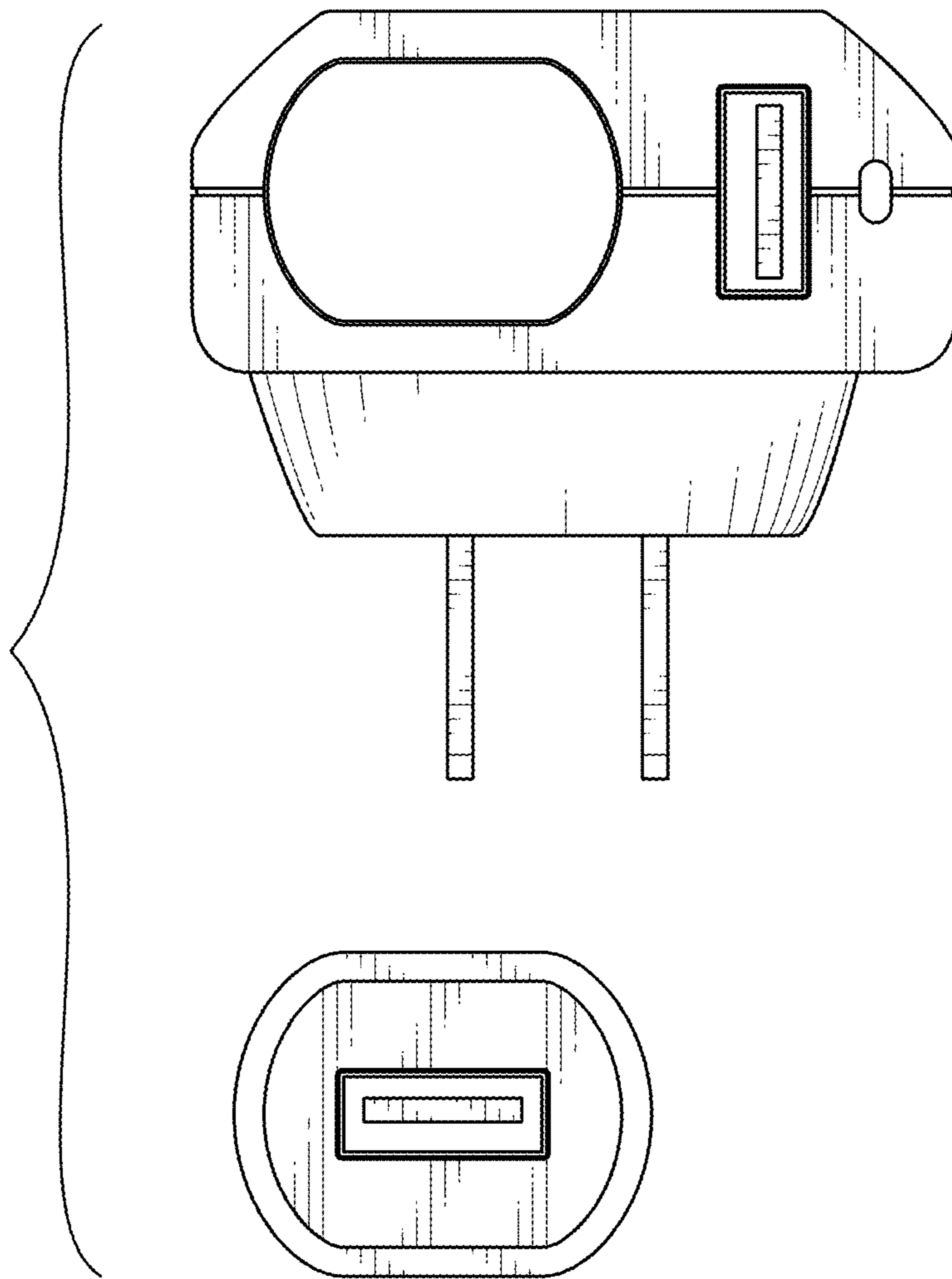


FIG. 14